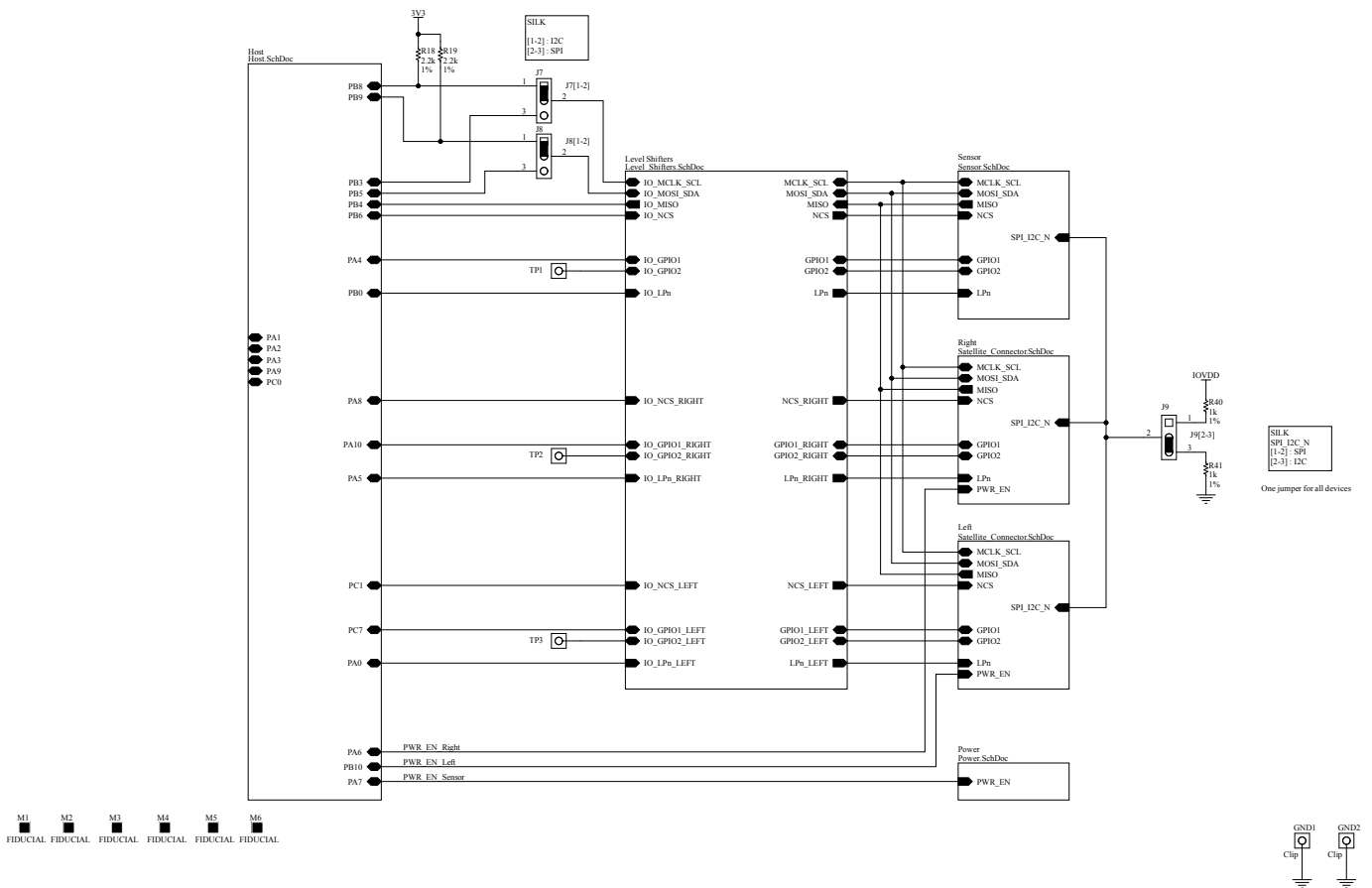


Schematic diagrams

Note: These schematic diagrams refer to the board latest version.

Figure 1. X-NUCLEO-53L8A1 circuit schematic (1 of 5)



Note: The display connector is an optional connector to connect an SSD1306 I2C OLED display to output the ranging data or other meaningful information if required. The related application note and example code will be available on st.com.

Figure 2. X-NUCLEO-53L8A1 circuit schematic (2 of 5)

Nucleo Arduino connectors

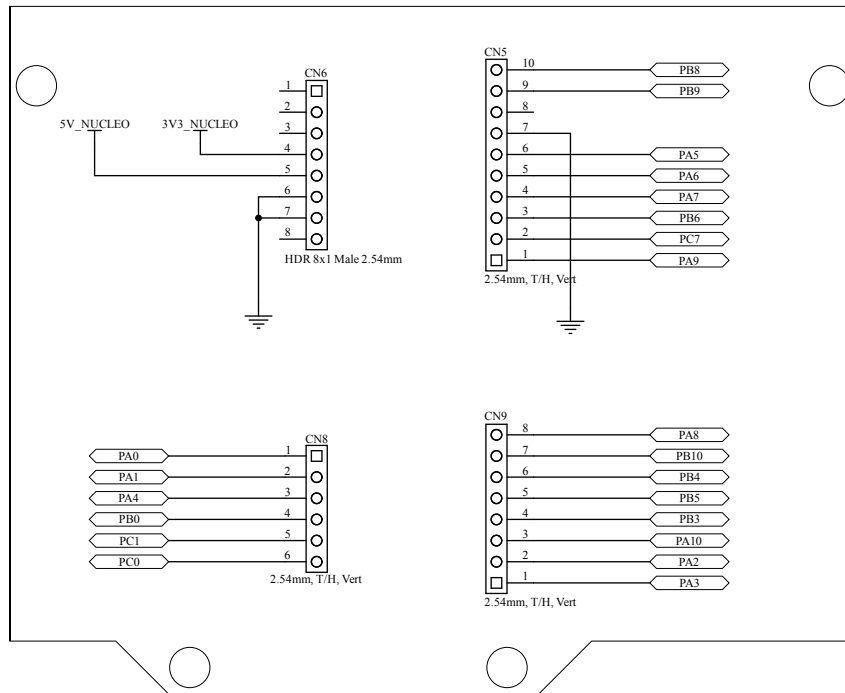


Figure 3. X-NUCLEO-53L8A1 circuit schematic (3 of 5)

Power Section

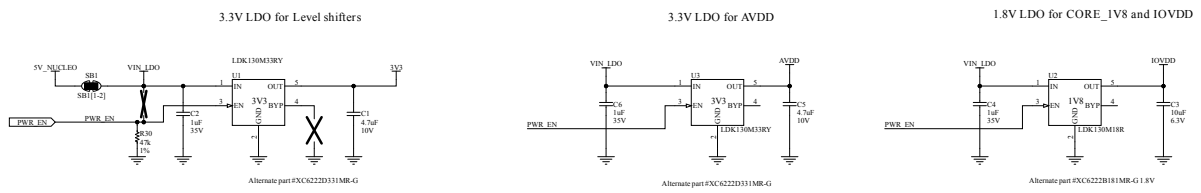


Figure 4. X-NUCLEO-53L8A1 circuit schematic (4 of 5)

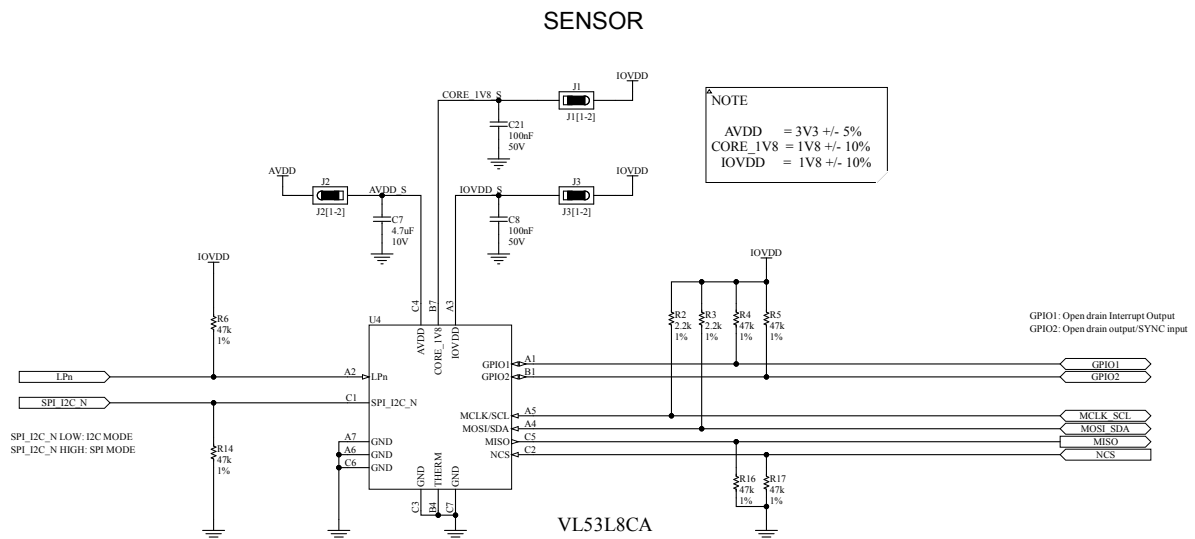
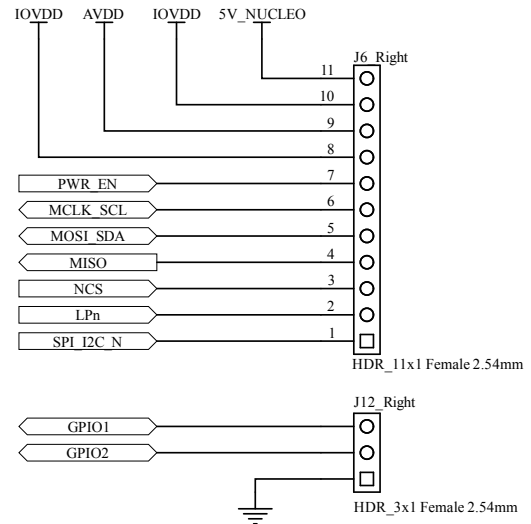


Figure 5. X-NUCLEO-53L8A1 circuit schematic (5 of 5)

Satellite board connector

NOTE
CORE_1V8 and IOVDD is from the same 1.8V regulator



IMPORTANT NOTICE – READ CAREFULLY

STMicroelectronics NV and its subsidiaries (“ST”) reserve the right to make changes, corrections, enhancements, modifications, and improvements to ST products and/or to this document at any time without notice. Purchasers should obtain the latest relevant information on ST products before placing orders. ST products are sold pursuant to ST’s terms and conditions of sale in place at the time of order acknowledgment.

Purchasers are solely responsible for the choice, selection, and use of ST products and ST assumes no liability for application assistance or the design of purchasers’ products.

No license, express or implied, to any intellectual property right is granted by ST herein.

Resale of ST products with provisions different from the information set forth herein shall void any warranty granted by ST for such product.

ST and the ST logo are trademarks of ST. For additional information about ST trademarks, refer to www.st.com/trademarks. All other product or service names are the property of their respective owners.

Information in this document supersedes and replaces information previously supplied in any prior versions of this document.

© 2024 STMicroelectronics – All rights reserved