

MB1230: 1280 x 720p DSI LCD

Schematic	Page
0 - mb1230	1
1 - MB1230 connectors	2
A - comment	3

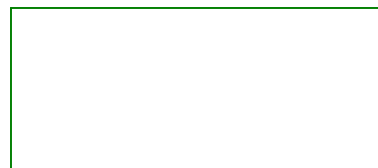


1 - connectors




1 - connectors

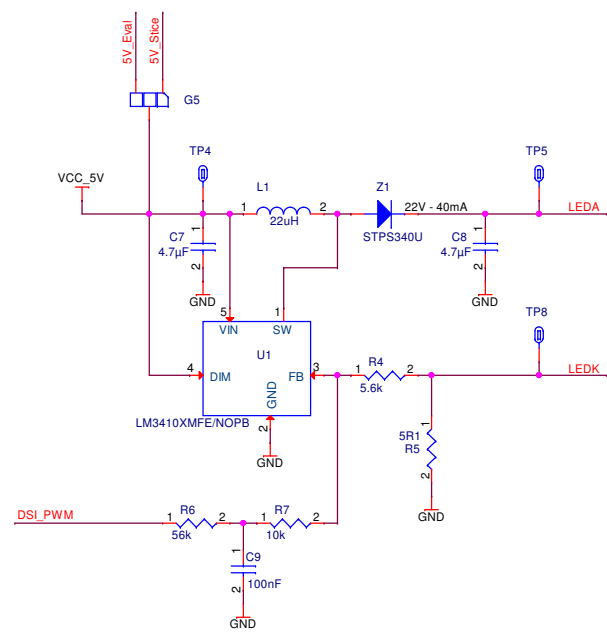
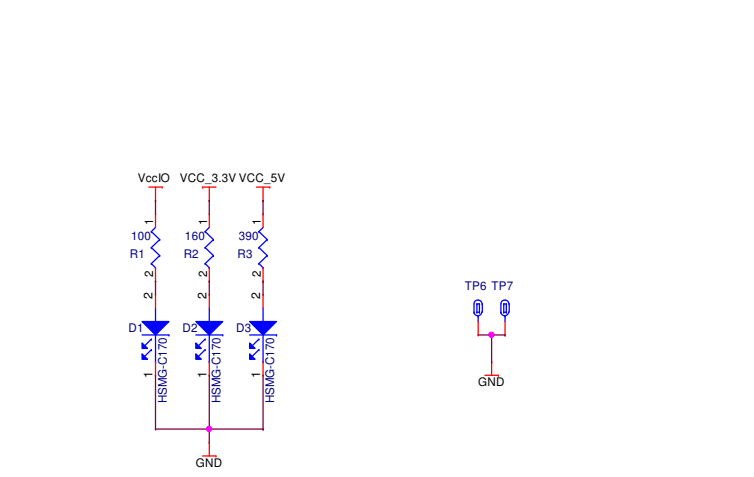
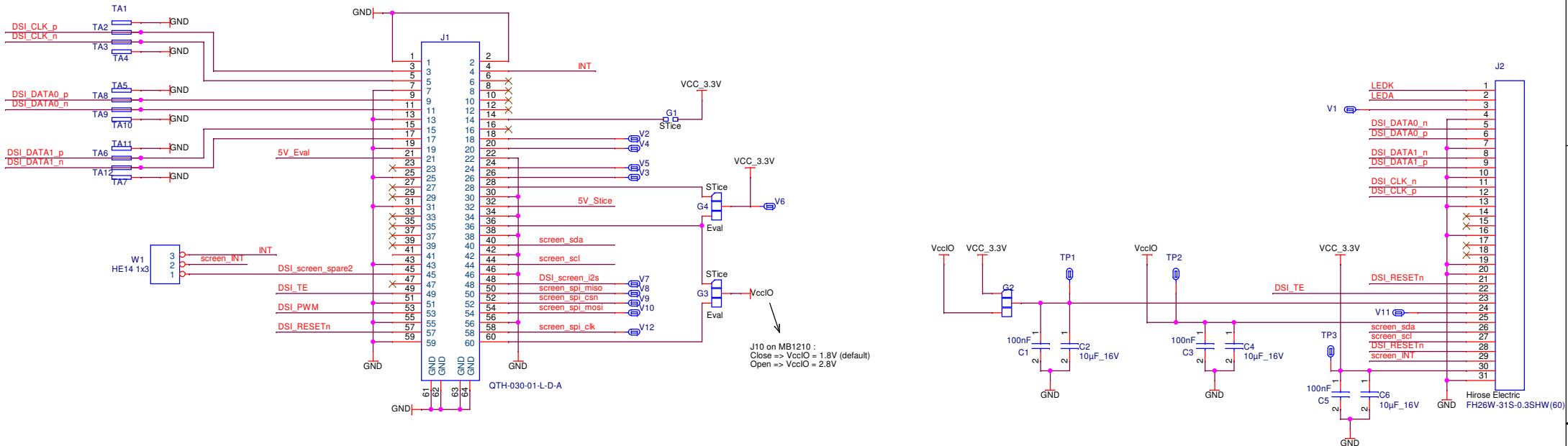
A - Comments



A - Comments


ST MICROELECTRONICS		
MDG/GPM		
Title		
MB1230: 1280 x 720p DSI LCD		
Size	Document Number	Rev
A4	MB1230: 1280 x 720p DSI LCD	C-02
Date:	Tuesday, May 24, 2022	Sheet 1 of 3

Schematic



ST MICROELECTRONICS			
MDG/GPM			
Title: MB1230: 1280 x 720p DSI LCD			
Size: A3	Document Number: Connectors	Rev: C-02	
Date: Tuesday, May 24, 2022	Sheet: 2	of 3	

ID	SCH version	Comments	Date
1	A01	Initial version	15 April. 2016
2	B01	added choice between 5V from Eval board of from Stice (J1-21 or 32)	08 July 2016
3	B02	R6 changed to 56K for better LCD backlight control	06 April 2018
4	C01	Changed solder resist (varnish) to blue color	18 April 2018
5	C02	Changed J2 Hirose Electric FH26-31S-0.3SHW(05) to Hirose Electric FH26W-31S-0.3SHW(60) Changed U1 ON SEMI NCP5006SNT1G to TEXAS INSTRUMENTS LM3410XMF/NOPB Changed HW1 LCD Rocktech RK055AHD042-CT to RK055MHD042A0-CTG Updated MCD to GPM (MDG Subgroup)	24 May 2022

ST MICROELECTRONICS		
MDG/GPM		
Title		
MB1230: 1280 x 720p DSI LCD		
Size	Document Number	Rev
A4	A - Comments	C-02
Date:	Tuesday, May 24, 2022	Sheet 3 of 3