

# LCD daughterboard

---

MB1166

---

## Table of contents

---

Sheet 1: Project overview (this page)

Sheet 2: MB1166

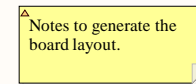
## Legend

---

General comment such as function title, configuration, ...

Text to be added to silkscreen.

Warning text.



## Open Platform License Agreement

---

The Open Platform License Agreement (“Agreement”) is a binding legal contract between you (“You”) and STMicroelectronics International N.V. (“ST”), a company incorporated under the laws of the Netherlands acting for the purpose of this Agreement through its Swiss branch 39, Chemin du Champ des Filles, 1228 Plan-les-Ouates, Geneva, Switzerland.

By using the enclosed reference designs, schematics, PC board layouts, and documentation, in hardcopy or CAD tool file format (collectively, the “Reference Material”), You are agreeing to be bound by the terms and conditions of this Agreement. Do not use the Reference Material until You have read and agreed to this Agreement terms and conditions. The use of the Reference Material automatically implies the acceptance of the Agreement terms and conditions.

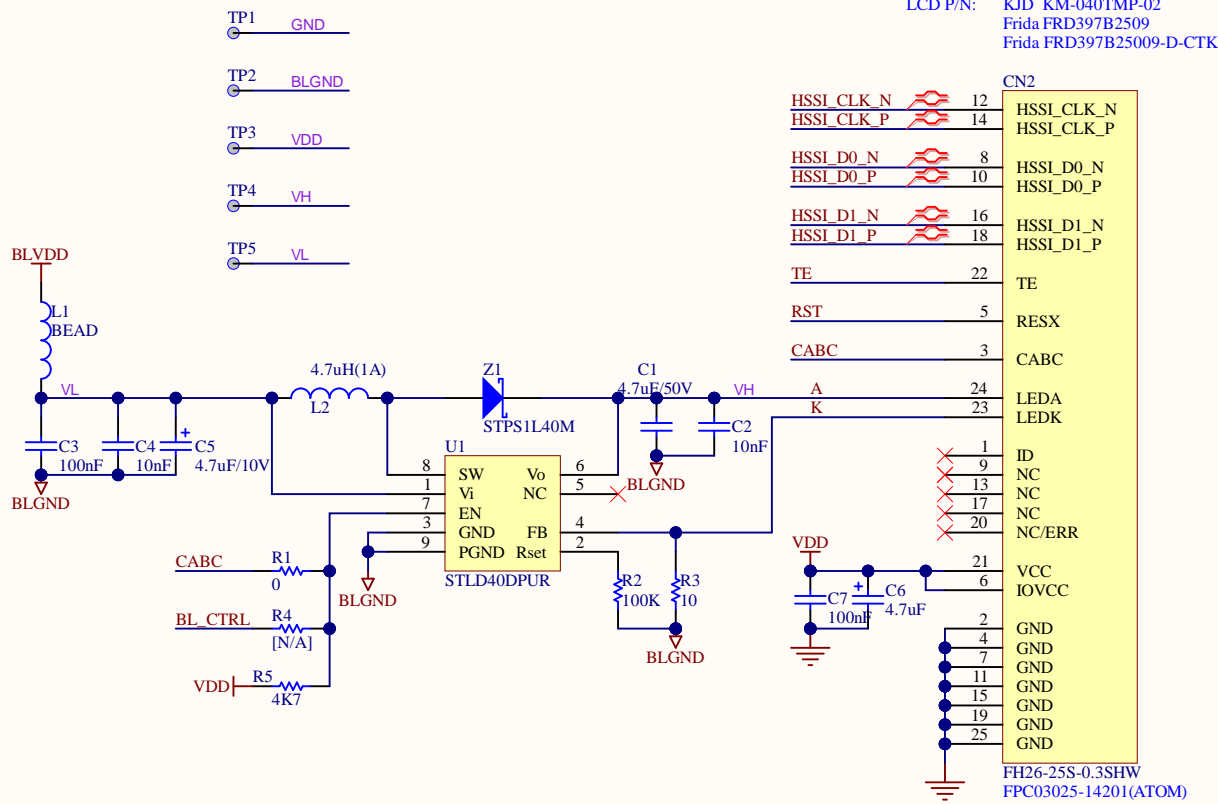
The complete Open Platform License Agreement can be found on [www.st.com/opla](http://www.st.com/opla).

U\_MB1166  
MB1166.SchDoc

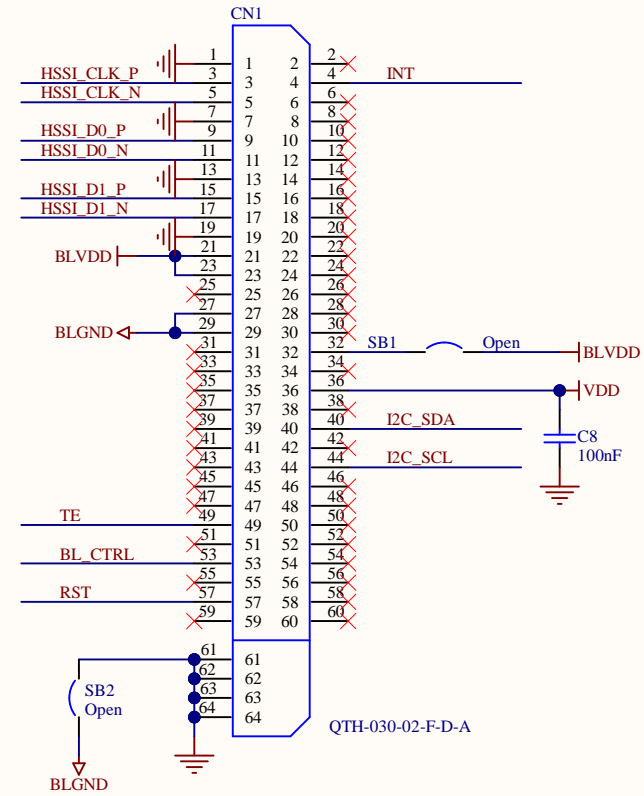


Title: <b>Project overview</b>		
Project: <b>LCD daughterboard</b>		
Variant: [No Variations]		
Revision: A-08		Reference: MB1166
Size: A4	Date: 05/03/2019	Sheet: 1 of 2

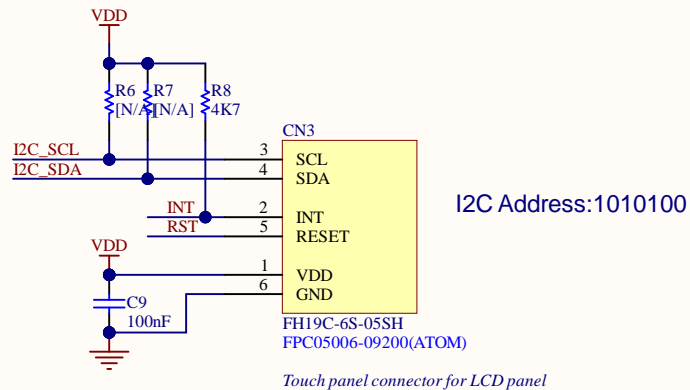




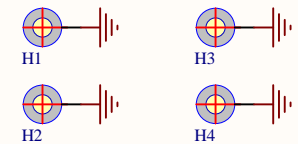
Backlight driver & PFC connector for LCD panel



Connector for motherboard



Touch panel connector for LCD panel



Title: 4 inch DSILCD board	
Project: LCD daughterboard	
Variant: [No Variations]	
Revision: A-08	Reference: MB1166
Size: A4	Date: 05/03/2019
	Sheet: 2 of 2

