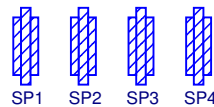
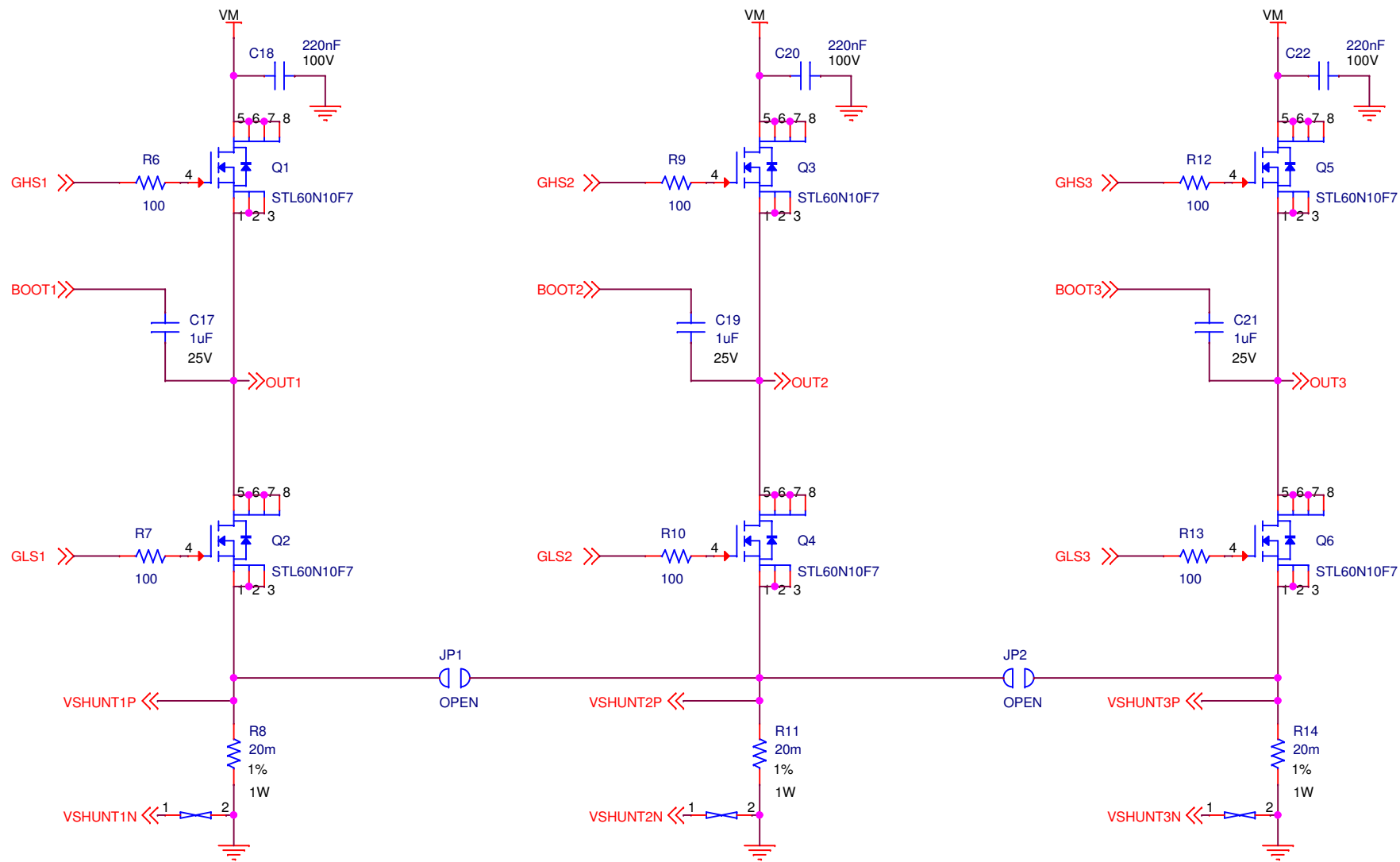

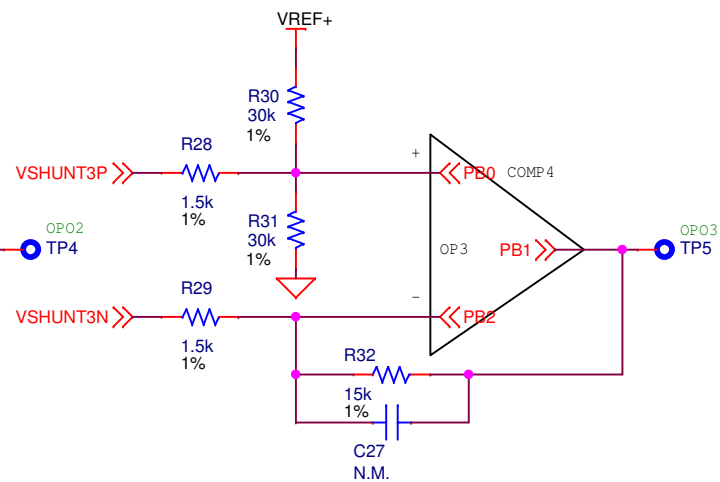
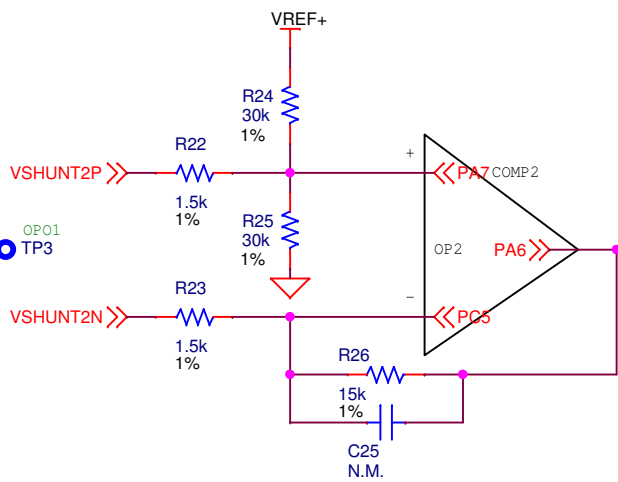
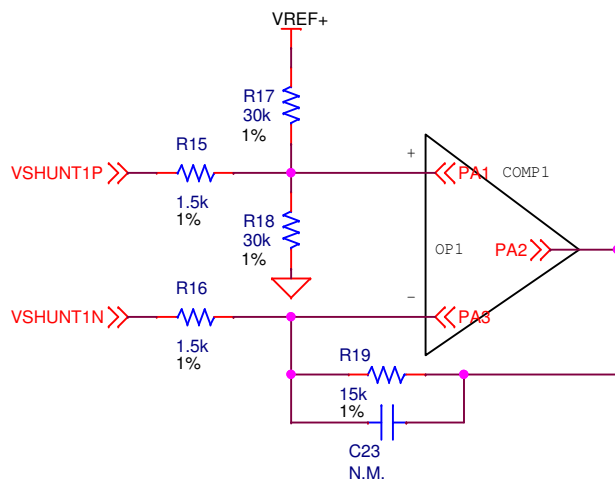
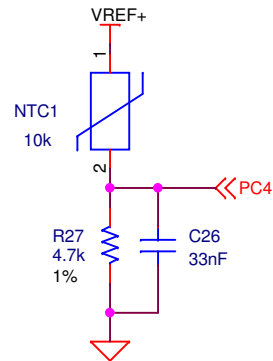
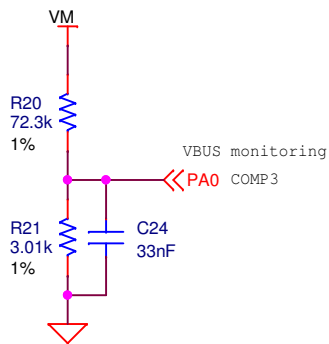
 life.augmented	Board Title EVLSPIN32G4-ACT				This drawing and the information herein are property of STMicroelectronics and are intended for evaluation purpose only
	Sheet Title STSPIN32G4				
Doc No	Date	Rev	Sheet		
	Tuesday, March 07, 2023	1	1 / 4		



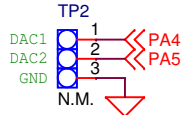
 life.augmented	Board Title EVLSPIN32G4-ACT				This drawing and the information herein are property of STMicroelectronics and are intended for evaluation purpose only
	Sheet Title Power Stage				
Doc No	Date	Rev	Sheet		
	Tuesday, March 07, 2023	1	2 / 4		

Current sensing circuitry topology

	3 OpAmp	2 OpAmp (OP1 + OP2)	PGA
IN1+	PA1	PA1	PA1
IN1-	PA3		
OUT1	PA2	PA2	
IN2+	PA7	PA7	PA7
IN2-	PC5		
OUT2	PA6	PA6	
IN3+	PB0	PB0	PB0
IN3-	PB2		
OUT3	PB1		



Debug outputs



Board Title EVLSPIN32G4-ACT

Sheet Title Analog Sensing

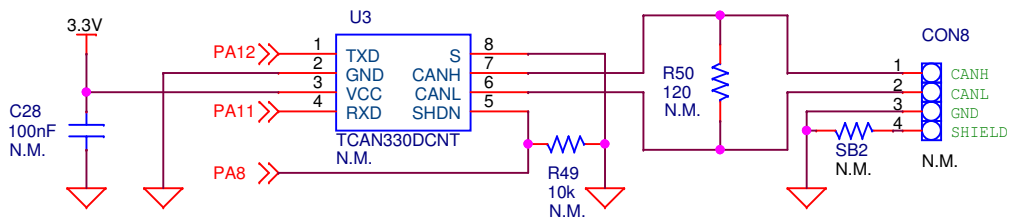
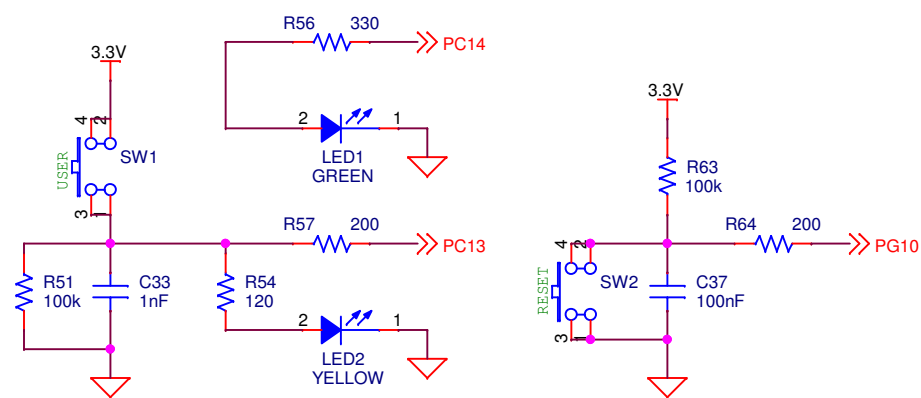
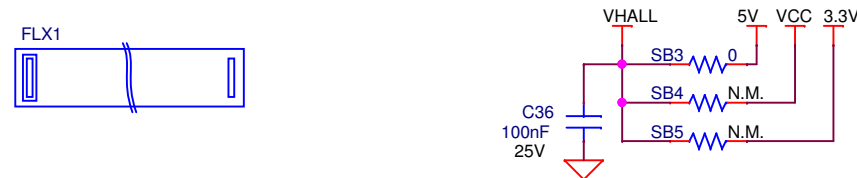
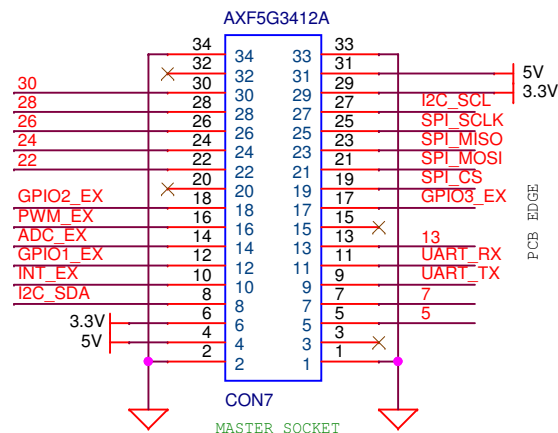
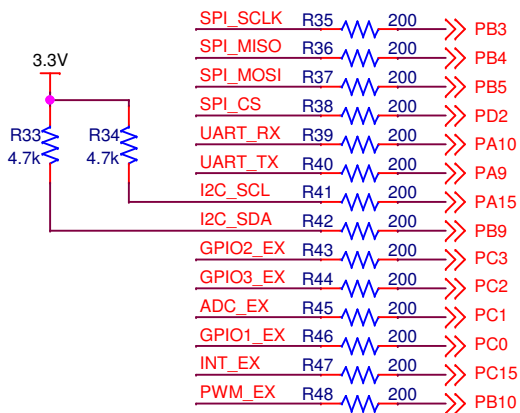
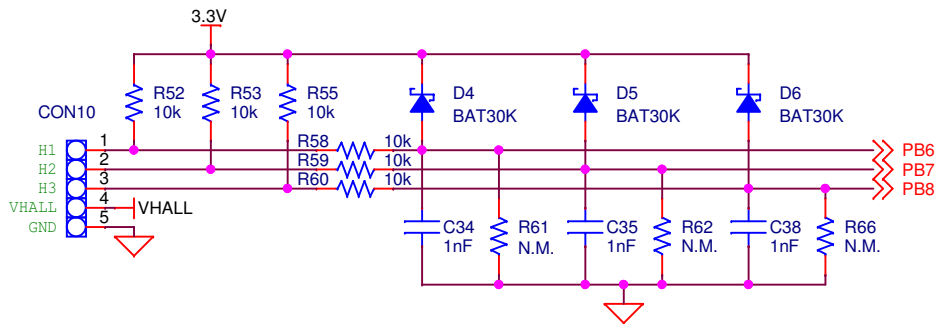
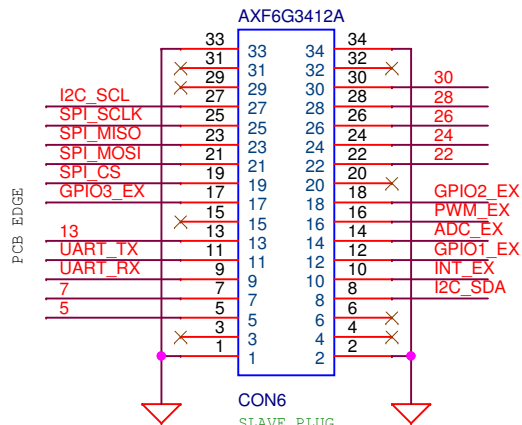
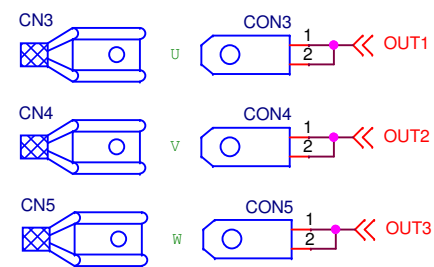
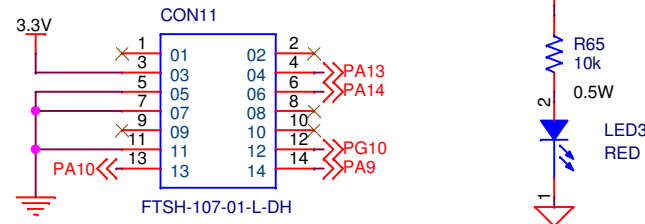
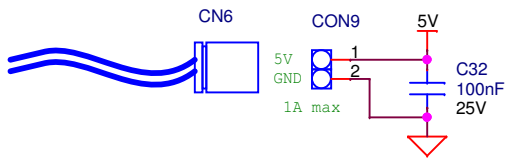
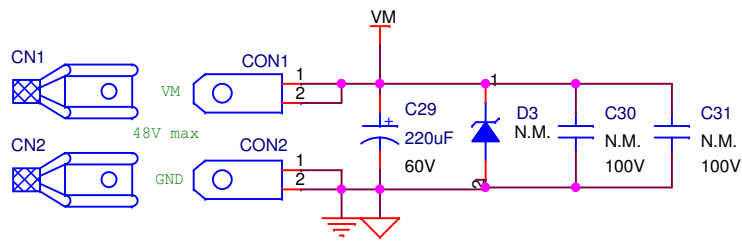
Doc No

Date
Tuesday, March 07, 2023

Rev
1

Sheet
3 / 4

This drawing and the information herein are property of STMicroelectronics and are intended for evaluation purpose only



Board Title EVLSPIN32G4-ACT

Sheet Title Inputs and Outputs

Doc No

Date Tuesday, March 07, 2023

Rev 1

Sheet 4 / 4

This drawing and the information herein are property of STMicroelectronics and are intended for evaluation purpose only