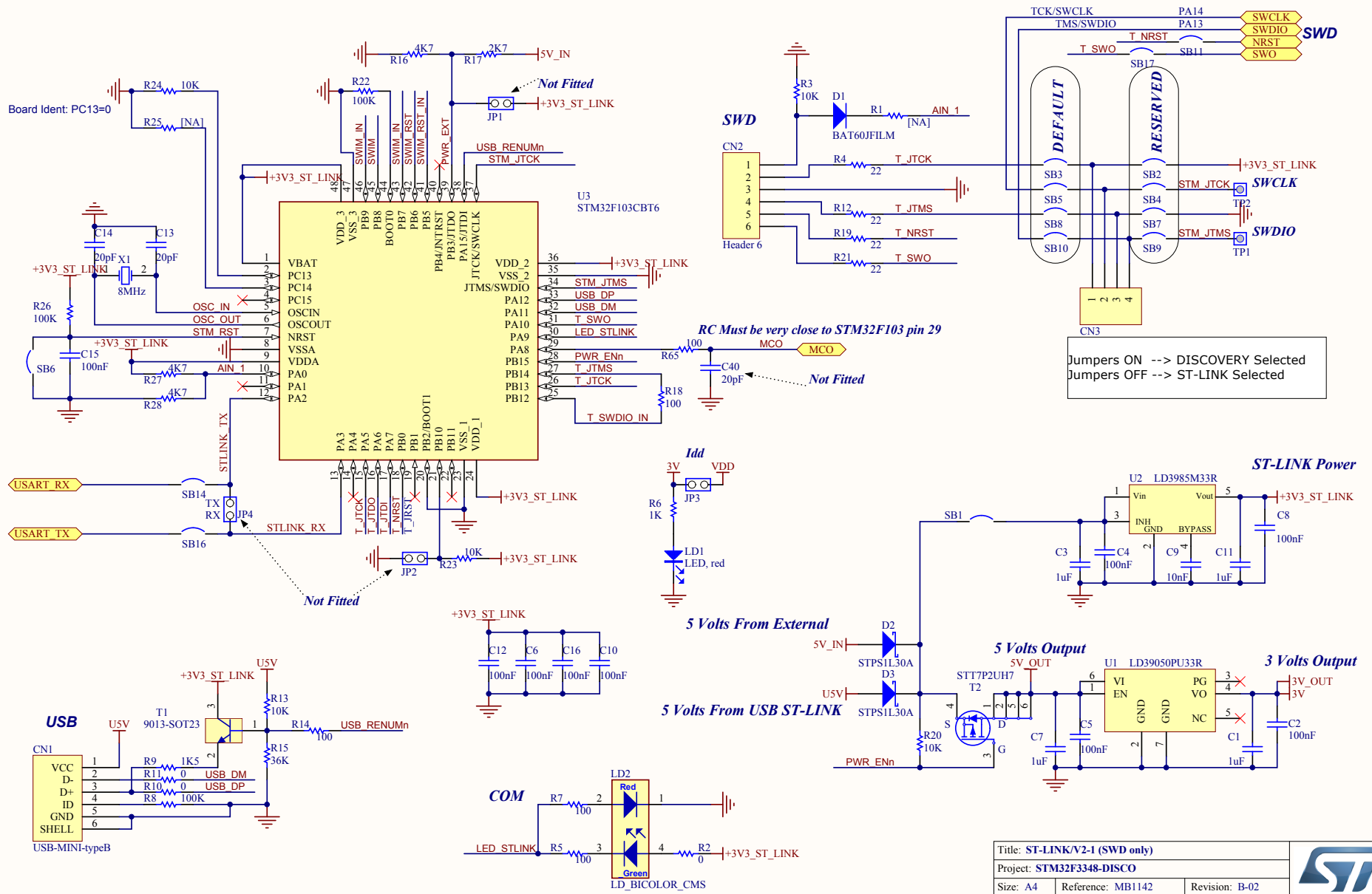


Rev B-02 --> PCB label MB1143 B-02, Mbed enabled, SB14 & SB16 solder ON
 Rev B-01 --> PCB label MB1142 B-01, MOSFETs replaced by new family,
 several Resistors and Capacitors values.
 Rev A-01 --> PCB label MB1142 A-01

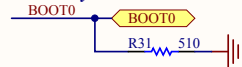


Title: ST-LINK/V2-1 (SWD only)	
Project: STM32F3348-DISCO	
Size: A4	Reference: MB1142
Date: 1/15/2016	Revision: B-02
Sheet: 2 of 5	

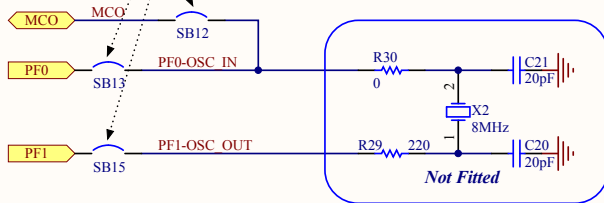


life.augmented

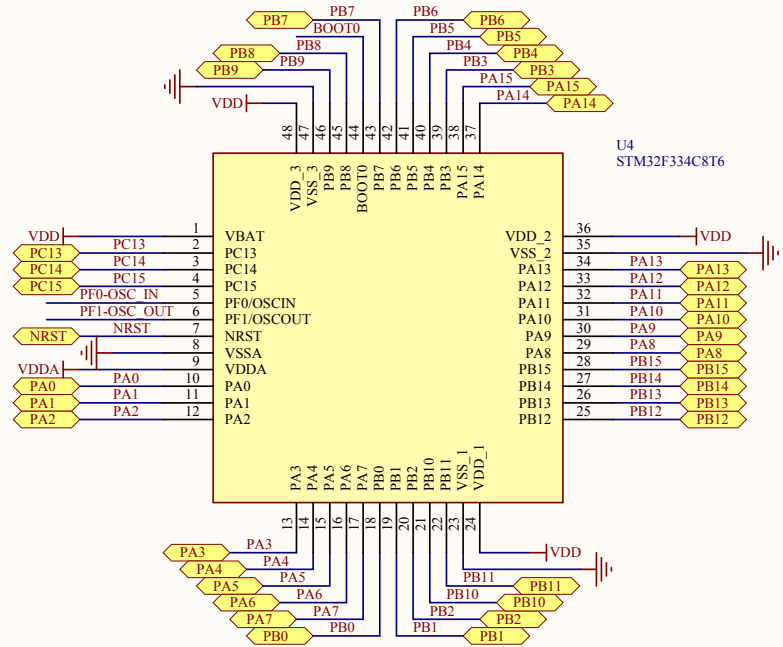
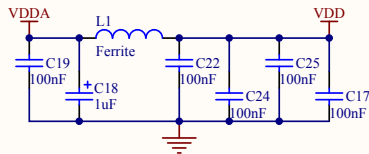
SBx Must be very close to the STM32F334



Must be close to the Crystal



All this block must be very close to the STM32F334



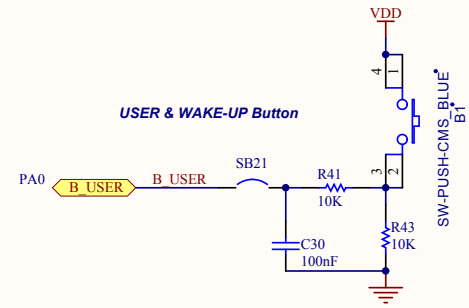
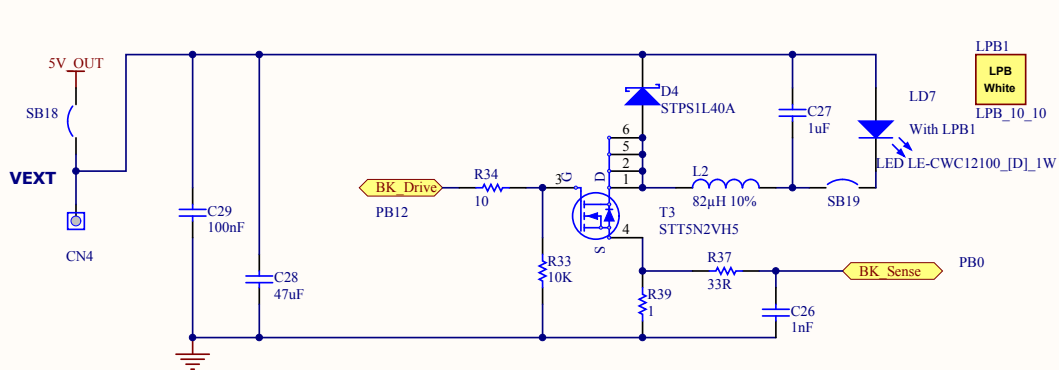
PA0	B USER	B USER
PB6	LD U	LD U
PB7	LD D	LD D
PB8	LD L	LD L
PB9	LD R	LD R
PB0	BK Sense	BK Sense
PB12	BK Drive	BK Drive
PA1	Vin Sense	Vin Sense
PA3	Vout Sense	Vout Sense
PA11	P2 Drive	P2 Drive
PB14	RC	RC
PA10	N2 Drive	N2 Drive
PA9	N1 Drive	N1 Drive
PA8	P1 Drive	P1 Drive

PB3	USART TX	USART TX
PB4	USART RX	USART RX
PA14	SWCLK	SWCLK
PA13	SWDIO	SWDIO
PB3	SWO	SWO

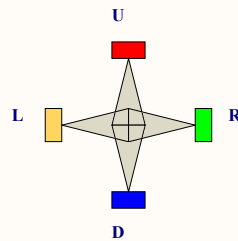
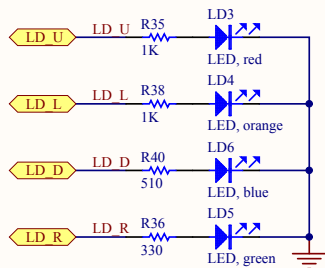
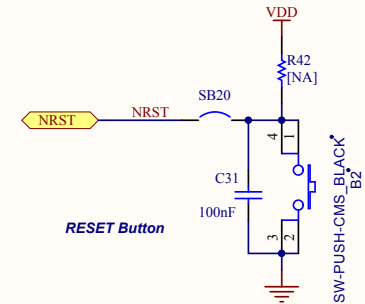
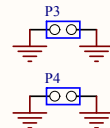
Title: STM32F3348CT6 MCU		
Project: STM32F3348-DISCO		
Size: A4	Reference: MB1142	Revision: B-02
Date: 1/15/2016	Sheet: 3 of 5	



LED BUCK converter



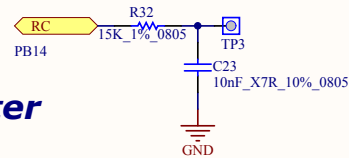
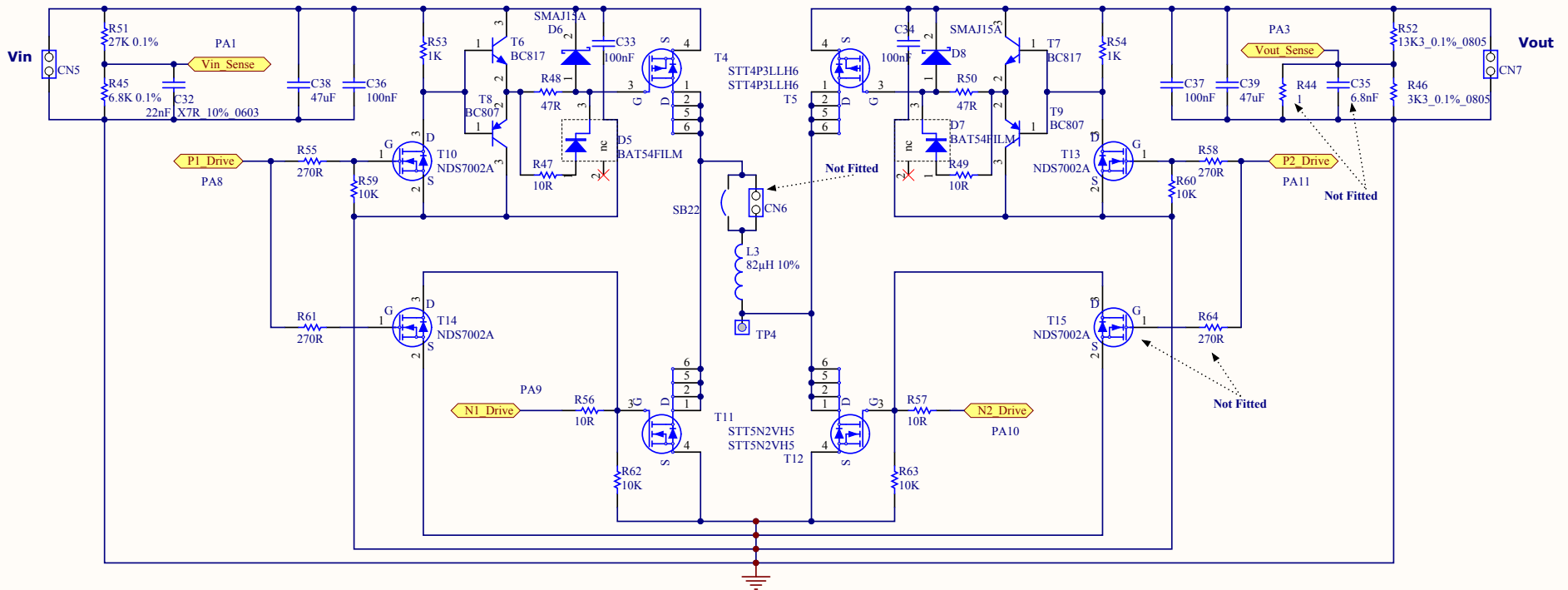
Wired on Solder Side



LEDs

Title: LED BUCK converter		
Project: STM32F3348-DISCO		
Size: A4	Reference: MB1142	Revision: B-02
Date: 1/15/2016	Sheet: 4 of 5	

BUCK/BOOST Converter



RC Low Pass Filter

Title: BUCK / BOOST CONVERTER	
Project: STM32F3348-DISCO	
Size: A4	Reference: MB1142
Date: 1/15/2016	Revision: B-02
Sheet: 5 of 5	

