



Introduction

To meet the demand for higher performance, complexity and cost reduction, the semiconductor industry develops microcontrollers with both high density design technology and higher clock frequencies. This has intrinsically increased the potential noise emission and noise sensitivity. Therefore, application developers must now apply electromagnetic compatibility (EMC) “hardening” techniques in the design of hardware, PCB layout, firmware and at system level.

This application note is intended for application designers who need to reach the optimum level of EMC performance. It gives an overview of microcontroller EMC features and compliance standards. This document focuses on STM8 features and behaviors, and on the differences between the STM8 family members.

Table 1. Applicable products

Product family	Part numbers
Microcontrollers	<ul style="list-style-type: none">– STM8S003xx, STM8S005xx, STM8S007C8– STM8S103xx, STM8S903xx, STM8S105xx, STM8S207xx, STM8S208xx,– STM8AF6x26/4x/66/68, STM8AF5xxx, STM8AF6x69/7x/8x/9x/Ax– STM8L05xxx– STM8L101xx– STM8L151C2/K2/G2/F2 and STM8L151C3/K3/G3/F3– STM8L151x4, STM8L151x6, STM8L152x4, STM8L152x6– STM8L151x8, STM8L152x8, STM8L151R6, STM8L152R6, STM8L162R8, STM8L162M8– STM8AL313x, STM8AL314x, STM8AL316x, STM8AL3L4x, STM8AL3L6x– STM8TL5xxx

Contents

- 1 STM8 and EMC robustness 5**
- 2 Application design robustness 6**
 - 2.1 Power supply 6
- 3 PCB layout recommendations 9**
 - 3.1 Two-layer board 10
 - 3.2 Single layer board 12
- 4 EMC characteristics 12**
- 5 Software recommendations 13**
 - 5.1 Critical bytes and opcode technique 13
 - 5.2 Reset sources 14
- 6 Related documents 15**
- 7 Revision history 16**

List of tables

Table 1.	Applicable products	1
Table 2.	Document revision history	16

List of figures

Figure 1.	STM8S and STM8AF power connections.	7
Figure 2.	STM8L and STM8AL power connections	8
Figure 3.	Top view of a 64-pin package layout.	10
Figure 4.	Bottom view of a 64-pin package layout	11
Figure 5.	Top view of a 32-pin package layout	12

1 STM8 and EMC robustness

Most STM8 product family applications require a high level of EMC robustness. The considered level of robustness is closely linked to application purposes. The different levels of robustness are defined by international EMC class standards together with criteria for testing and measurement techniques used to classify these levels.

One of the pivotal IEC (*international electrotechnical commission*) standards is the IEC 61000 standard which defines the following robustness classes:

- Class A: No failure detected
- Class B: Failure detected but self-recovery after disturbance
- Class C: An external user action needed to recover normal functionality
- Class D: Normal functionality cannot be recovered

Note: IEC is a world wide recognized authority on international standards for a vast range of safety issues concerning electrical, electronic and related technologies. It is important to note that there are several other recognized bodies concerning electronic safety standards besides IEC, such as VDE in Germany, IET in the United Kingdom and the IEEE in the United States.

Class B has a different meaning from that used in the IEC 61000 standard as it means in this case that the application is classified from a safety point of view. See the IEC 60335 standard in the AN3181: Guidelines for obtaining IEC60335 Class B certification on STM8 family.

EMC robustness is a complex result of several factors and it depends on the component design. However, a very good EMC robustness of any component may be degraded by its incorrect position into the PCB design or by an incorrect hardware project. These factors are discussed in more details in the next chapters.

Another important factor is the software solution which can significantly improve the robustness of the application by a proper software reaction when any disturbance is detected, which is fundamental, especially for Class-B compliant applications.

In most cases, it is possible to recover the application internally even if the user is not aware of the internal issues. It is also possible to predict an imminent error state by using some efficient techniques capable of testing permanently if both the MCU and the application work properly.

Note: These techniques are further described in the following documents: application notes AN1015 (Software techniques for improving microcontroller EMC performance) and AN3181 (Guidelines for obtaining IEC60335 Class B certification on STM8 family).

2 Application design robustness

Even though the STM8 has been designed for a high level of EMC robustness, the user should be aware that the modern high-density CMOS technology used for the STM8 design is commonly and naturally noise sensitive.

This factor must be taken into account in users' projects: this is important to avoid steps which could lead to a degradation of the EMC robustness, especially in applications working in an "aggressive" environment.

Some specific requirements and recommendations are given in the rest of this chapter.

2.1 Power supply

The STM8S and STM8AF product families are designed for standard applications in the 3.3 V to 5 V (+/-10%) supply voltage range.

All power pins must be connected: V_{DD}/V_{SS} , V_{DDA}/V_{SSA} , V_{DDIOx}/V_{SSIOx} .

The V_{CAP} pin is the regulator output used on STM8S and STM8AF devices only. It provides the 1.8 V supply to the core and the peripherals. This pin must be decoupled with a capacitance of at least 470 nF. If the capacitance of an applied capacitor drops under this level due to temperature or lifetime changes or if a wrong capacitor value is connected, the reset pin can toggle with a period of about 100 ms. To satisfy this minimum limit value, it is recommended to use a capacitor with a higher capacitance (about 680 nF), taking into account possible changes of this capacitance due to environment conditions and the period of utilization.

The V_{LCD} pin is used in the STM8L152xx and STM8AL31xx/STM8AL3Lxx devices to provide a voltage from 2.5 V to 3.6 V to the built-in LCD drivers. An external capacitor from 0.1 to 2 μ F must be connected to this pin to stabilize the LCD reference voltage.

For products with separated V_{DD} and V_{DDIO1} , it is mandatory to supply both pins and strongly recommended to decouple both with a capacitor of 100 nF. V_{DDA} and V_{DDIO2} , when present, must also be decoupled with a dedicated 100 nF capacitor.

Power supply connections are shown in the following diagrams.

Figure 1. STM8S and STM8AF power connections

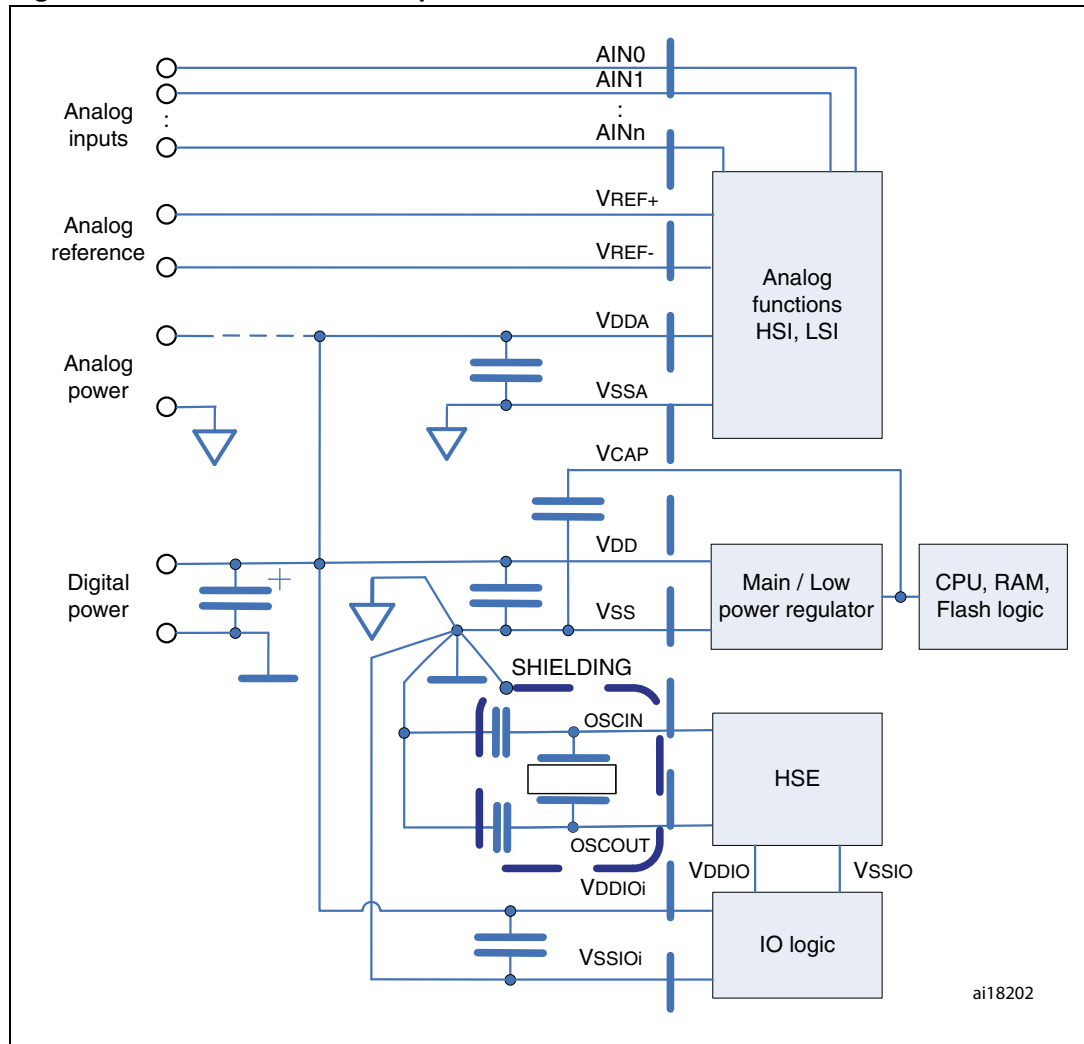
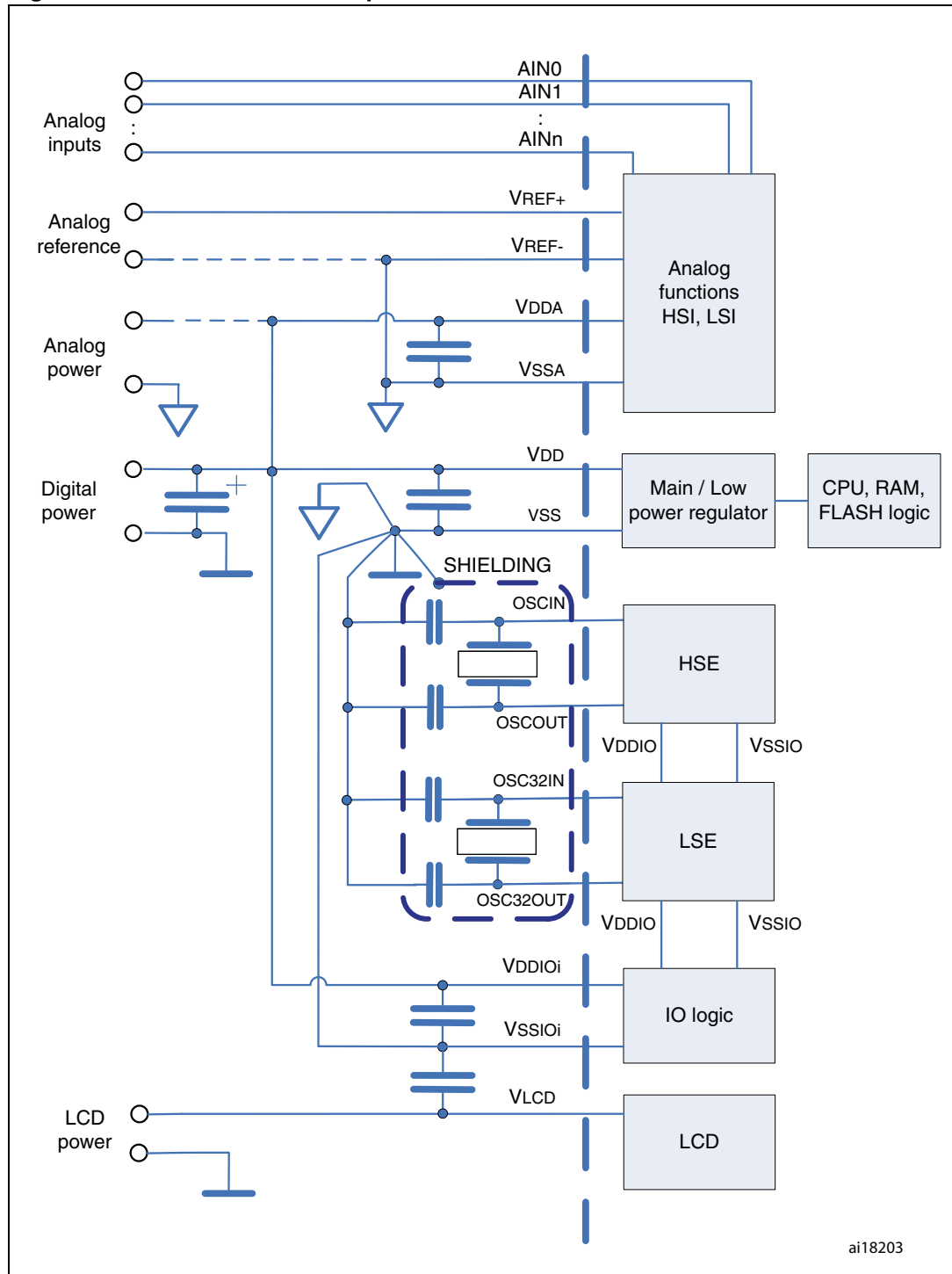


Figure 2. STM8L and STM8AL power connections



3 PCB layout recommendations

Figure 1 and *Figure 2* defines the appropriate bill of materials but, for EMC performance, special attention must be paid to the layout which defines ground plane, track width and length, etc.

It is also important to pay special attention to the following tasks:

- The ground plane should be used as a shield below the device
- The power supply planes must be designed around the device towards the other components, as shown in *Figure 3*, *Figure 4* and *Figure 5*. The purpose is to separate the current flow supplying the rest of the application from the CPU power supply plane
- Every supply pin should be decoupled by a ceramic capacitor. The capacitor should be placed as close as possible to the supply pin and connected to V_{SS} with a path as short as possible.

STM8S and STM8AF devices require an additional external capacitor for a voltage regulator connected through the V_{CAP} pin:

- The correct value of the capacitor is very critical (a min. 470 nF capacitance must be kept in any condition)
- The capacitor should be placed as close as possible to V_{CAP} pin and with the shortest ground plane.

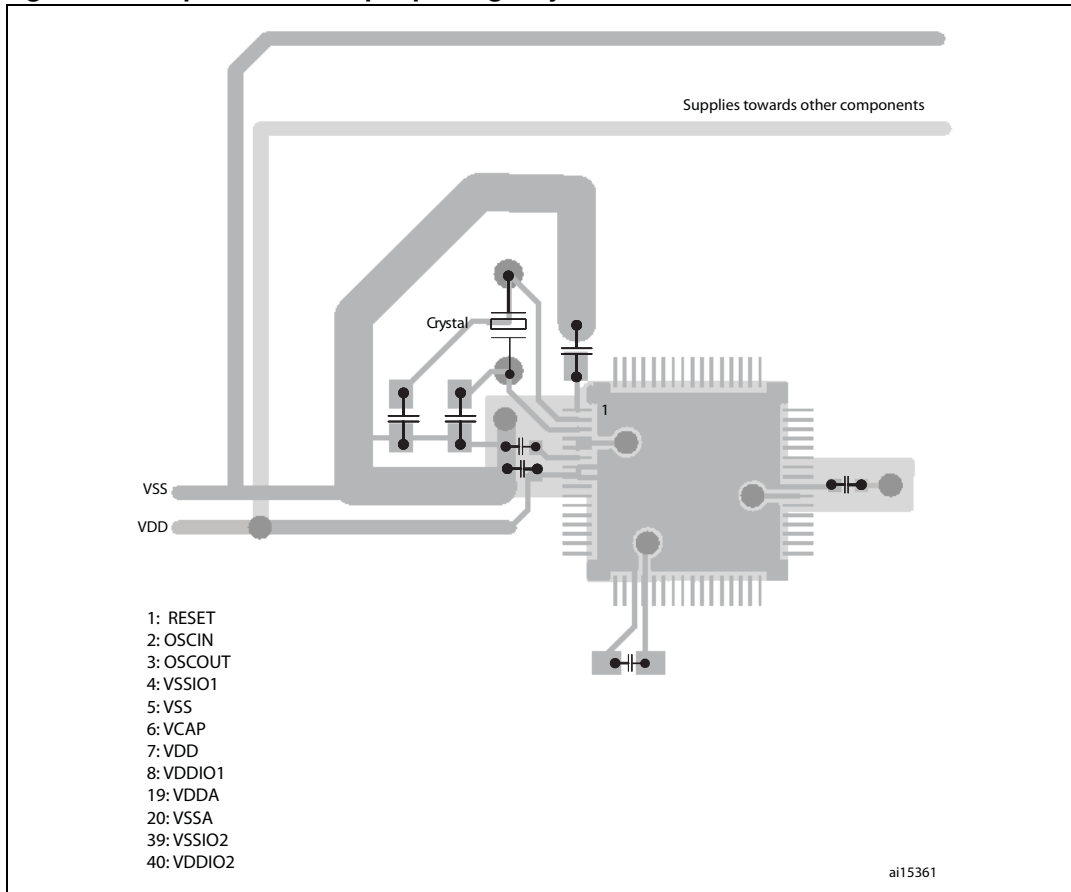
Warning: Special care must be taken on the device EMC robustness when the application requires the use of an external (HSE) oscillator (for instance, for permanent asynchronous communication or time-dependent measuring) and the internal clock source cannot be used. A potential risk of EMC robustness degradation can be minimized by applying the rules described below.

- The ground path between the capacitor-loaded resonator and V_{SS} must be as short as possible.
- It is better to use a resonator with a metal cap which should be connected to V_{SS} whenever possible.
- An additional shielding structure should surround the area of the crystal resonator and of the associated components (see *Figure 3*, *Figure 4* and *Figure 5*).

3.1 Two-layer board

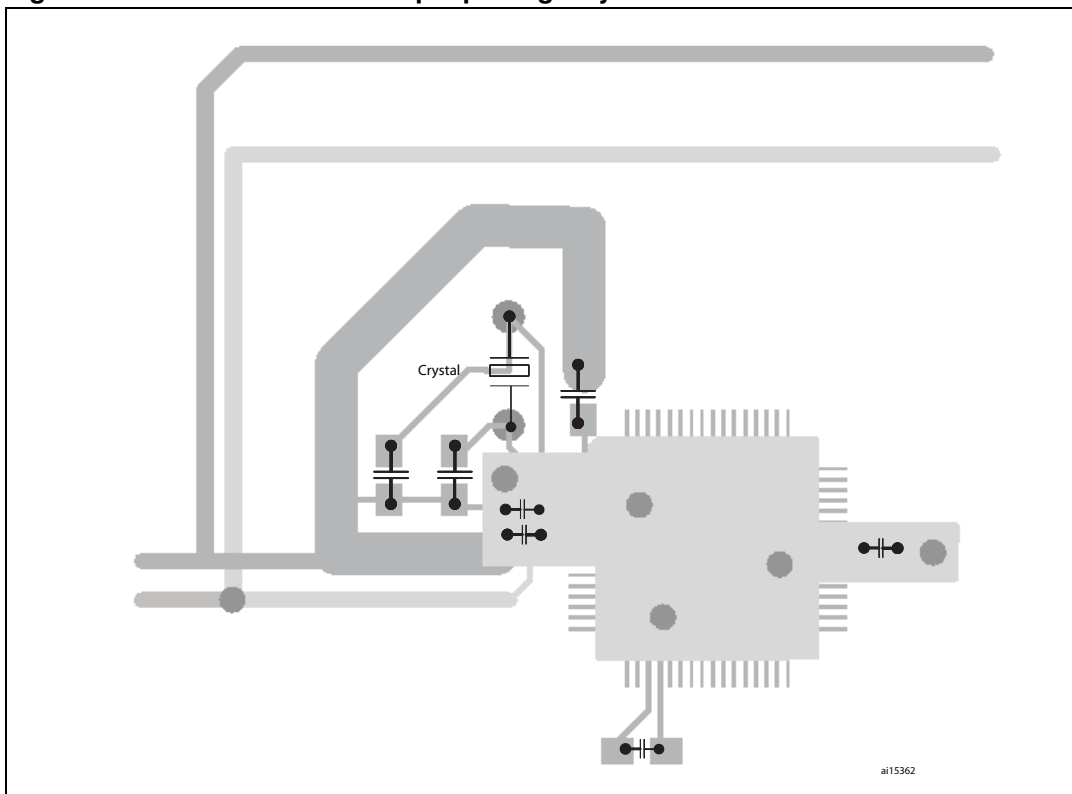
Due to the position of V_{DDIO2} and V_{SSIO2} , a two-layer board design is recommended for 44-pin packages and above.

Figure 3. Top view of a 64-pin package layout.



Note:
 Grey: bottom side
 Dark grey: top side

Figure 4. Bottom view of a 64-pin package layout

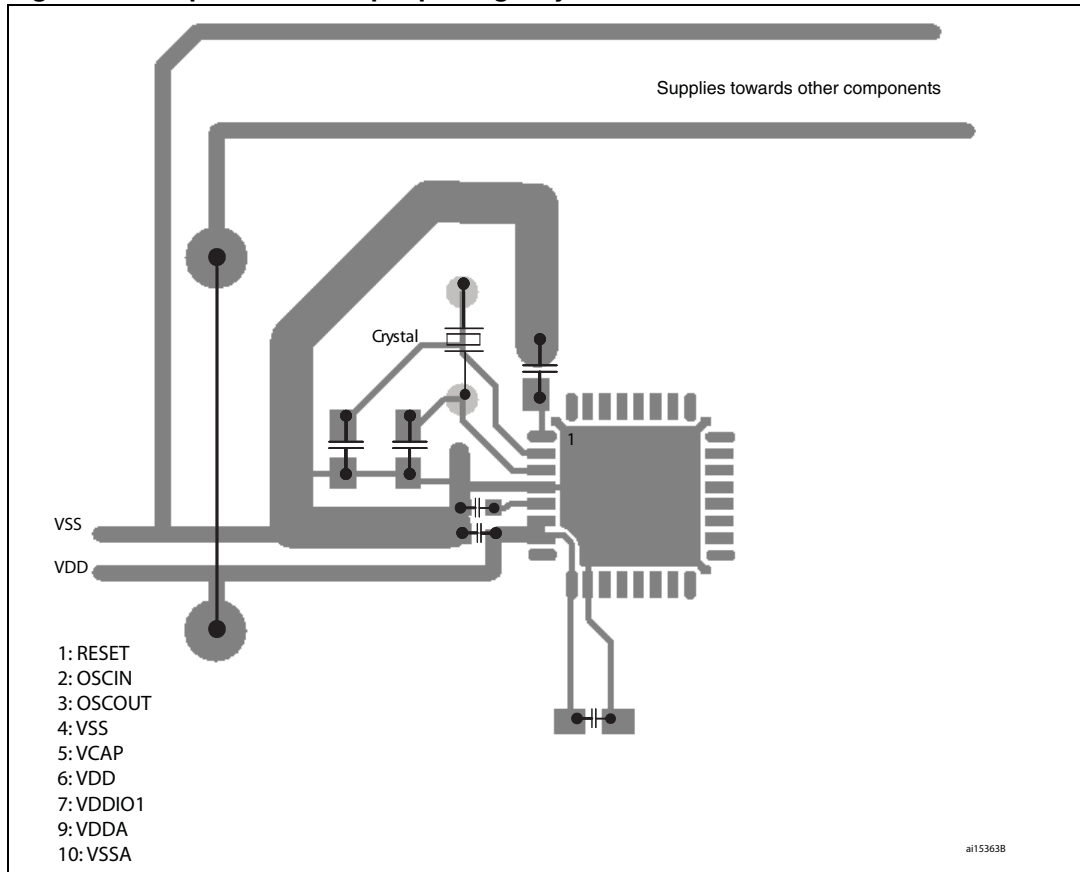


Note:
Grey: bottom side
Dark grey: top side

3.2 Single layer board

For 32-pin package and below, a single layer board can offer a very good level of EMC performance.

Figure 5. Top view of a 32-pin package layout



4 EMC characteristics

EMC characteristics are specific to each device. Please refer to the Electrical characteristics section in the product datasheet for any information on these characteristics.

5 Software recommendations

The standard software techniques for improving EMC performance described in the AN1015 application note (“Software techniques for improving microcontroller EMC performance”) also apply to the STM8 product family.

This section lists the STM8 specificities related to the software techniques referred in the AN1015. It gives the values dedicated to STM8 products but it is strongly recommended to read carefully the AN1015 in order to implement safely the software recommendations.

Some other techniques used to test the MCU correct state and to prevent from an unexpected MCU behavior are described in details in the AN3181 (Guidelines for obtaining IEC60335 Class B certification on STM8 family). These techniques are used in the associated firmware.

5.1 Critical bytes and opcode technique

It is recommended to avoid occurrences of the following critical bytes in your code:

- 0x8E: opcode for HALT (instruction used to enter low power modes)
- 0x8F: opcode for WFI (instruction “wait for interrupt”)
- 0x82: opcode for INT (instruction used to jump in interrupt routine only)
- 0x8B: opcode for SWBRK (software breakpoint instruction used to stall the CPU in debug mode)

These critical bytes can be generated by the linker when computing the address destination in a branch instruction (JUMP or CALL) in absolute or relative addressing modes. To remove such occurrences you can simply insert a NOP instruction before the target address. For further explanation, refer to the AN1015 application note.

To keep a better control of unexpected jumps, it is recommended to fill unused memory areas with the TRAP opcode (0x83).

Besides, if you want to generate an illegal opcode reset, illegal opcodes can be used, like for example the following simple ones: 0x05, 0x0B, 0x71 and 0x75.

5.2 Reset sources

Reset sources can be checked in the Reset status register RST_SR. They can be identified through the Reset status register.

The following reset sources are available for all STM8 devices:

- SWIM reset,
- Illegal opcode reset,
- Independent watchdog reset.

A few additional reset sources are available only on some devices:

- EMC reset,
- Window watchdog reset,
- POR reset,
- BOR threshold reset.

For more details on these reset sources and their differences between devices, please refer to the dedicated STM8 family reference manuals and device datasheets.

6 Related documents

- AN1015: Software techniques for improving microcontroller EMC performance
- AN1709: EMC design guide for ST microcontrollers
- AN2752: Getting started with the STM8S and STM8AF
- AN2867: Oscillator design guide for ST microcontrollers
- AN3029: Getting started with STM8L and STM8AL
- AN3342: Getting started with STM8TL53xx
- AN3181: Guidelines for obtaining IEC60335 Class B certification on STM8 family
- RM0312: STM8TL53xx microcontroller family
- RM0013: STM8L101xx microcontroller reference manual
- RM0016: STM8S and STM8A microcontroller families reference manual
- RM0031: STM8L05xx, STM8L15xx, STM8L162x, STM8AL31xx and STM8AL3Lxx microcontroller family reference manual.

7 Revision history

Table 2. Document revision history

Date	Revision	Changes
13-Jan-2009	1	Initial release.
27-Jan-2009	2	Figure 5: Top view of a 32-pin package layout on page 12 modified: capacitors moved (pins 5 and 7).
31-May-2010	3	Information on STM8A and STM8L family devices added. Document updated.
25-Aug-2011	4	Updated to add references to STM8A devices.
06-Nov-2012	5	Document updated to include STM8AL and STM8TL5x devices. Replaced STM8A with STM8AF. Added: Table 1: Applicable products . Moved list of related documents from cover page to Section 6: Related documents .

Please Read Carefully:

Information in this document is provided solely in connection with ST products. STMicroelectronics NV and its subsidiaries ("ST") reserve the right to make changes, corrections, modifications or improvements, to this document, and the products and services described herein at any time, without notice.

All ST products are sold pursuant to ST's terms and conditions of sale.

Purchasers are solely responsible for the choice, selection and use of the ST products and services described herein, and ST assumes no liability whatsoever relating to the choice, selection or use of the ST products and services described herein.

No license, express or implied, by estoppel or otherwise, to any intellectual property rights is granted under this document. If any part of this document refers to any third party products or services it shall not be deemed a license grant by ST for the use of such third party products or services, or any intellectual property contained therein or considered as a warranty covering the use in any manner whatsoever of such third party products or services or any intellectual property contained therein.

UNLESS OTHERWISE SET FORTH IN ST'S TERMS AND CONDITIONS OF SALE ST DISCLAIMS ANY EXPRESS OR IMPLIED WARRANTY WITH RESPECT TO THE USE AND/OR SALE OF ST PRODUCTS INCLUDING WITHOUT LIMITATION IMPLIED WARRANTIES OF MERCHANTABILITY, FITNESS FOR A PARTICULAR PURPOSE (AND THEIR EQUIVALENTS UNDER THE LAWS OF ANY JURISDICTION), OR INFRINGEMENT OF ANY PATENT, COPYRIGHT OR OTHER INTELLECTUAL PROPERTY RIGHT.

UNLESS EXPRESSLY APPROVED IN WRITING BY TWO AUTHORIZED ST REPRESENTATIVES, ST PRODUCTS ARE NOT RECOMMENDED, AUTHORIZED OR WARRANTED FOR USE IN MILITARY, AIR CRAFT, SPACE, LIFE SAVING, OR LIFE SUSTAINING APPLICATIONS, NOR IN PRODUCTS OR SYSTEMS WHERE FAILURE OR MALFUNCTION MAY RESULT IN PERSONAL INJURY, DEATH, OR SEVERE PROPERTY OR ENVIRONMENTAL DAMAGE. ST PRODUCTS WHICH ARE NOT SPECIFIED AS "AUTOMOTIVE GRADE" MAY ONLY BE USED IN AUTOMOTIVE APPLICATIONS AT USER'S OWN RISK.

Resale of ST products with provisions different from the statements and/or technical features set forth in this document shall immediately void any warranty granted by ST for the ST product or service described herein and shall not create or extend in any manner whatsoever, any liability of ST.

ST and the ST logo are trademarks or registered trademarks of ST in various countries.

Information in this document supersedes and replaces all information previously supplied.

The ST logo is a registered trademark of STMicroelectronics. All other names are the property of their respective owners.

© 2012 STMicroelectronics - All rights reserved

STMicroelectronics group of companies

Australia - Belgium - Brazil - Canada - China - Czech Republic - Finland - France - Germany - Hong Kong - India - Israel - Italy - Japan - Malaysia - Malta - Morocco - Philippines - Singapore - Spain - Sweden - Switzerland - United Kingdom - United States of America

www.st.com

