
Clock configuration tool for STM32F2xx microcontrollers

Introduction

This application note presents the clock system configuration tool for the STM32F2xx microcontroller family.

The purpose of this tool is to help the user configure the microcontroller clocks, taking into consideration product parameters such as power supply and Flash access mode.

The configuration tool is implemented in the “STM32F2xx_Clock_Configuration_VX.Y.Z.xls” file which can be downloaded from www.st.com.

This tool supports the following functionalities for the STM32F2xx:

- Configuration of the system clock, HCLK source and output frequency
- Configuration of the Flash latency (number of wait states depending on the HCLK frequency).
- Setting of the PCLK1, PCLK2, TIMCLK (timer clocks), USBCLK, and I2SCLK frequencies.
- Generation of a ready-to-use *system_stm32F2xx.c* file with all the above settings (STM32F2xx CMSIS Cortex-M3 Device Peripheral Access Layer System Source File).

The STM32F2xx_Clock_Configuration_VX.Y.Z.xls is referred to as “clock tool” throughout this document.

Before using the clock tool, it is essential to read the *STM32F2xx microcontroller reference manual* (RM0033). This application note is not a substitute for the reference manual.

This tool supports only revision B and revision Y of the STM32F2xx.

Note: For VX.Y.Z, please refer to the tool version, example V1.0.0

Contents

- 1 Glossary 5**

- 2 Getting started 6**
 - 2.1 Software requirements 6
 - 2.2 Hardware requirements 7
 - 2.2.1 Introduction 7
 - 2.2.2 Clock scheme for STM32F2xx microcontrollers 7
 - 2.2.3 I2S clock generator 9

- 3 Tutorials 11**
 - 3.1 Wizard mode 11
 - 3.1.1 Step-by-step procedure 11
 - 3.2 Expert mode 14

- 4 Known limitations 18**

- 5 Conclusion 19**

- 6 Revision history 20**

List of tables

Table 1.	Definition of terms	5
Table 2.	Number of wait states according to Cortex-M3 clock frequency.	9
Table 3.	Document revision history	20

List of figures

Figure 1.	Clock scheme for Silicon revision B and revision Y	8
Figure 2.	I2S clock generator architecture	9
Figure 3.	Wizard mode user interface	11
Figure 4.	HSE value out of range.	12
Figure 5.	VDD out of range	12
Figure 6.	HCLK error message	13
Figure 7.	Select the clock source.	13
Figure 8.	No possible configuration error.	14
Figure 9.	File generation error	14
Figure 10.	Expert mode user interface.	15
Figure 11.	System clock frequency is exceeded	16
Figure 12.	The PLL input frequency is exceeded	16
Figure 13.	The I2S frequency is out of range.	17

1 Glossary

Table 1. Definition of terms

Term	Description
HCLK	AHB clock
PCLK1	APB1 clock
PCLK2	APB2 clock
TIMCLK	Timer clock
USB OTG FS	USB on-the-go at full-speed
F _{CPU}	Cortex-M3 clock
Ext.Clock	External clock
V _{DD}	Power supply
HSI	High-speed internal clock
HSE	High-speed external clock
MCLK	Master clock
I2S	Integrated interchip sound
F _s	Sampling frequency
I2SCLK	I2S clock
RNG	Random number generator
SDIO	Secure digital input/output interface

2 Getting started

This section describes the requirements and procedures needed to start using the clock tool.

2.1 Software requirements

To use the clock tool with Windows operating system, a recent version of Windows, such as Windows XP®, Vista® or Windows7® must be installed on the PC with at least 256 Mbytes of RAM.

Before starting to use the clock tool, make sure that Microsoft Office® is installed on your machine and then follow these steps:

- Download the latest version of the **clock tool** for the STM32F2xx product from www.st.com.
- Enable macros and ActiveX controls:

Excel® 1997-2003 version

1. Click **Tools** in the menu bar
2. Click **Macro**
3. Click **Security**
4. Click **Low (not recommended)**

Note: If ActiveX controls are not enabled, a warning message is displayed asking you to enable ActiveX. In this case, you should click "OK" to enable it.

Excel 2007 version

1. Click the **Microsoft Office** button and then click **Excel options**.
2. Click **Trust Center**, click **Trust center settings**, and then click **Macro settings**.
3. Click **Enable all macros (not recommended, potentially dangerous code can run)**.
4. Click **Trust Center**, click **Trust center settings**, and then click **ActiveX settings**.
5. Click **Enable all controls without restrictions and without prompting (not recommended; potentially dangerous controls can run)**.
6. Click **OK**.

Note: For more information about how to enable macros and ActiveX controls please refer to the Microsoft Office website.

2.2 Hardware requirements

2.2.1 Introduction

The clock tool is designed to configure the system clocks and generate the *system_stm32f2xx.c* file for STM32F2xx microcontrollers.

The *system_stm32f2xx.c* file is provided as a template system clock configuration file which can be easily modified to select the corresponding system clock frequency and to configure the Flash latency.

2.2.2 Clock scheme for STM32F2xx microcontrollers

This section describes the system clock scheme that is dependent on the voltage requirements (V_{DD}) versus the system clock frequency and Flash latency versus the system clock frequency.

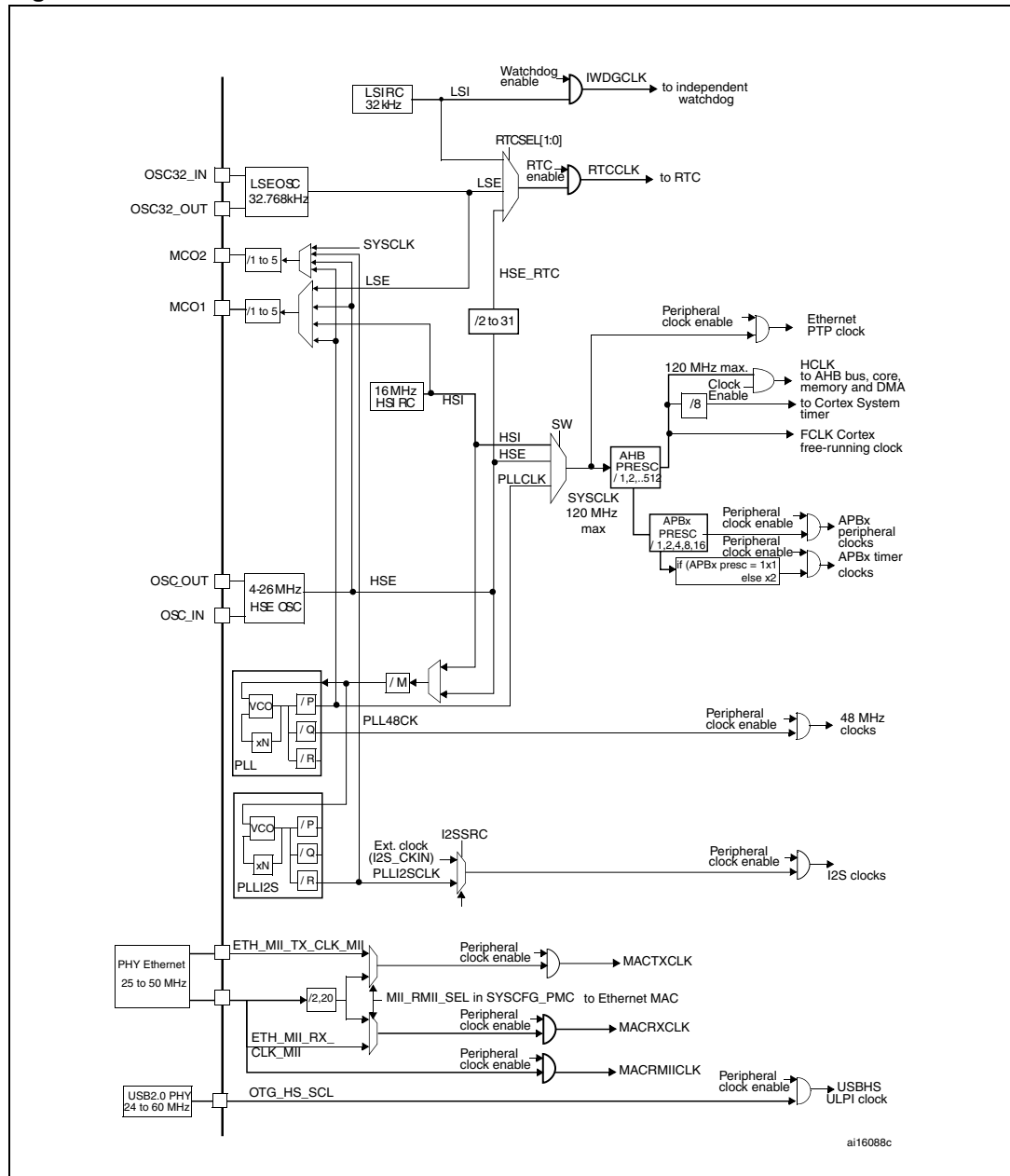
Three different clock sources can be used to drive the system clock (SYSCLK):

1. **HSI** (16 MHz) oscillator clock
2. **HSE** (4 MHz to 26 MHz) oscillator clock
3. **Main phase-locked loop (PLL)** clock with a PLL voltage-controlled oscillator (PLLVCO) input frequency which must be between 1 and 2 MHz (2 MHz is recommended to limit the PLL jitter) and with division factors M, N, P, and Q.

All peripheral clocks are derived from the SYSCLK except for:

1. The USB OTG FS clock (48 MHz), the RNG clock (48 MHz), and the SDIO clock (48 MHz) which come from a specific output of PLL (PLL48CLK).
2. The I2S clock. To achieve high-quality audio performance, the I2S clock can be derived either from a specific PLL (PLL_I2S) or from an external clock mapped on the I2S_CKIN pin.

Figure 1. Clock scheme for Silicon revision B and revision Y



The number of Flash memory wait states (latency) is defined according to the frequency of the CPU (Cortex-M3) and indirectly by the supply voltage of the device (V_{DD}) (see [Table 2: Number of wait states according to Cortex-M3 clock frequency](#)).

Table 2. Number of wait states according to Cortex-M3 clock frequency

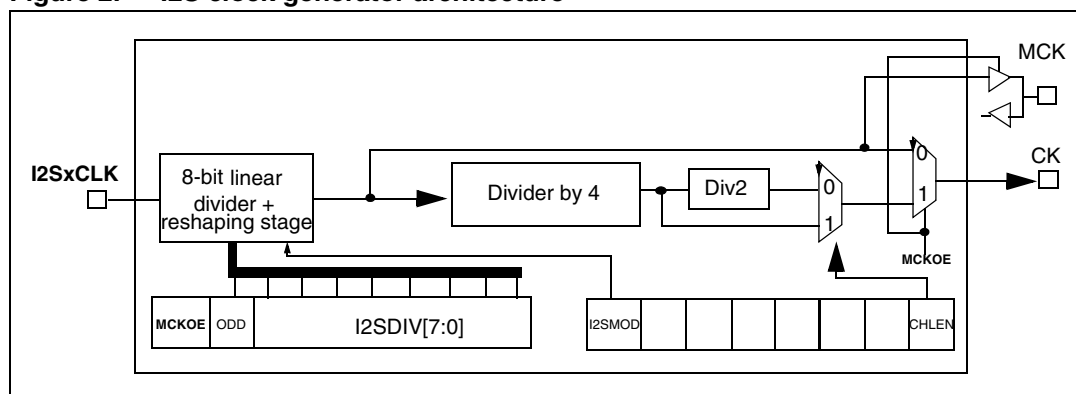
Wait states (WS) (LATENCY)	HCLK - Cortex-M3 clock frequency (MHz)			
	$2.7\text{ V} \leq V_{DD} \leq 3.6\text{ V}$	$2.4\text{ V} \leq V_{DD} < 2.7\text{ V}$	$2.1\text{ V} \leq V_{DD} < 2.4\text{ V}$	$1.8^{(1)}\text{ V} \leq V_{DD} < 2.1\text{ V}$
0 WS (1 CPU cycle)	$0 < \text{HCLK} \leq 30$	$0 < \text{HCLK} \leq 24$	$0 < \text{HCLK} \leq 18$	$0 < \text{HCLK} \leq 16$
1 WS (2 CPU cycle)	$30 < \text{HCLK} \leq 60$	$24 < \text{HCLK} \leq 48$	$18 < \text{HCLK} \leq 36$	$16 < \text{HCLK} \leq 32$
2 WS (3 CPU cycle)	$60 < \text{HCLK} \leq 90$	$48 < \text{HCLK} \leq 72$	$36 < \text{HCLK} \leq 54$	$32 < \text{HCLK} \leq 48$
3 WS (4 CPU cycle)	$90 < \text{HCLK} \leq 120$	$72 < \text{HCLK} \leq 96$	$54 < \text{HCLK} \leq 72$	$48 < \text{HCLK} \leq 64$
4 WS (5 CPU cycle)		$96 < \text{HCLK} \leq 120$	$72 < \text{HCLK} \leq 90$	$64 < \text{HCLK} \leq 80$
5 WS (6 CPU cycle)			$90 < \text{HCLK} \leq 108$	$80 < \text{HCLK} \leq 96$
6 WS (7 CPU cycle)			$108 < \text{HCLK} \leq 120$	$96 < \text{HCLK} \leq 112$
7 WS (8 CPU cycle)				$112 < \text{HCLK} \leq 120$

1. If IRROFF is set to V_{DD} on STM32F20xx devices, this value can be lowered to 1.65 V when the device operates in a reduced temperature range.

2.2.3 I2S clock generator

This section describes the I2S clock generator that is dependent on the master clock MCLK (enable or disable), the frame wide, and the I2S peripheral clock (I2SCLK).

Figure 2. I2S clock generator architecture



The audio sampling frequency may be 192 kHz, 96 kHz, 48 kHz, 44.1 kHz, 32 kHz, 22.05 kHz, 16 kHz, 11.025 kHz or 8 kHz. To reach the desired frequency, the linear divider (DIV) needs to be programmed according to the formulas below:

When the master clock is generated (MCKOE in the SPI_I2SPR register is set):

- $F_s = \text{I2SxCLK} / [(16 \cdot 2) \cdot ((2 \cdot \text{I2SDIV}) + \text{ODD}) \cdot 8]$ when the channel frame is 16-bit wide
- $F_s = \text{I2SxCLK} / [(32 \cdot 2) \cdot ((2 \cdot \text{I2SDIV}) + \text{ODD}) \cdot 4]$ when the channel frame is 32-bit wide

Where ODD is an odd factor for the prescaler.

When the master clock is disabled (MCKOE bit cleared):

- $F_S = \text{I2SxCLK} / [(16 \cdot 2) \cdot ((2 \cdot \text{I2SDIV}) + \text{ODD})]$ when the channel frame is 16-bit wide
- $F_S = \text{I2SxCLK} / [(32 \cdot 2) \cdot ((2 \cdot \text{I2SDIV}) + \text{ODD})]$ when the channel frame is 32-bit wide

This tool performs the best configuration of the PLLI2S_N and PLLI2S_R with the minimum error on the sampling frequency and according to I2S parameters (frame wide, MCKO, and sampling frequency).

Note: Only the PLLI2S_N and PLLI2S_R are configured in the "system_stm32f2xx.c" file.

This tool does not configure the I2S register.

The sampling frequency error is computed as an indicator according to the I2S parameters which are not configured in the output file "system_stm32f2xx.c".

3 Tutorials

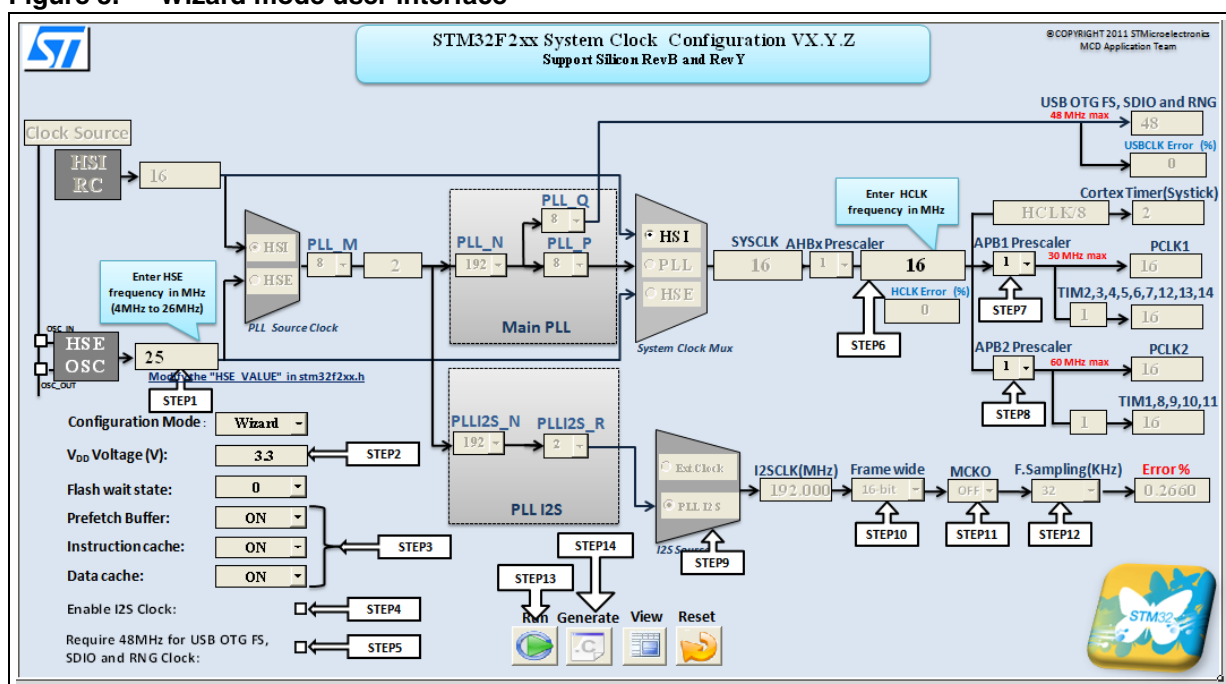
This section describes step by step how to use the clock tool to configure all system clocks and generate the system_stm32f2xx.c file.

Two modes are available: **Wizard** and **Expert**. The selection is made in the **Configuration mode** list box.

3.1 Wizard mode

This mode (default mode) guides you through a series of steps to obtain the desired clock system configuration quickly and easily.

Figure 3. Wizard mode user interface



Note: The 'View' button permits viewing of the xls file in full screen to be activated or deactivated. The 'Reset' button permits the system clock to the default configuration to be set.

3.1.1 Step-by-step procedure

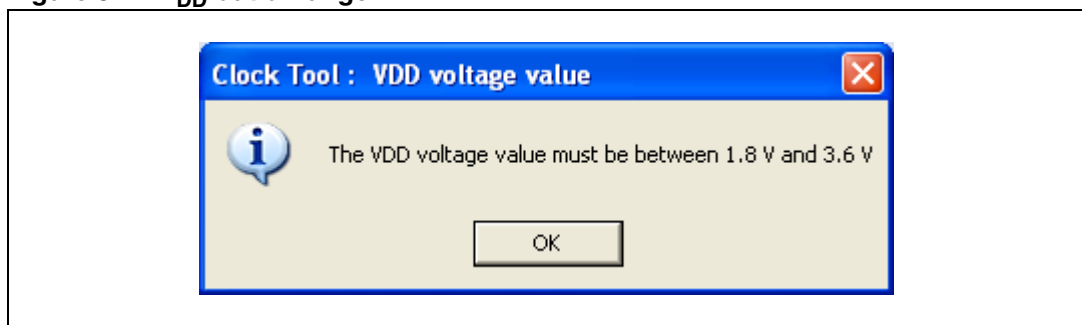
1. If the HSE is used in your application, set its frequency between:
 - a minimum of 4 MHz and
 - a maximum of 26 MHz if a crystal oscillator is used for STM32F2xx

Note: The definition, HSE_VALUE, in the stm32f2xx.h file must be modified each time the user changes the HSE oscillator value.

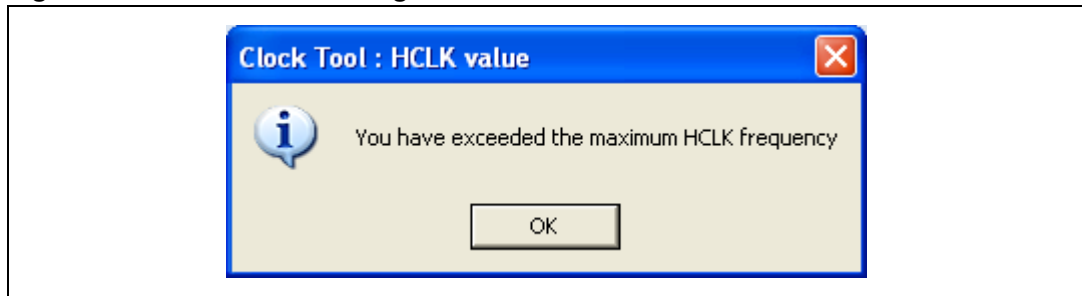
If the frequency entered is out of range, an error message is displayed, as shown in [Figure 4](#). A valid frequency must be entered.

Figure 4. HSE value out of range

2. Enter the V_{DD} power supply voltage range which is between 1.8 V and 3.6 V (refer to [Figure 3: Wizard mode user interface](#)). If the V_{DD} voltage is out of range, an error message is displayed as shown in [Figure 5](#).

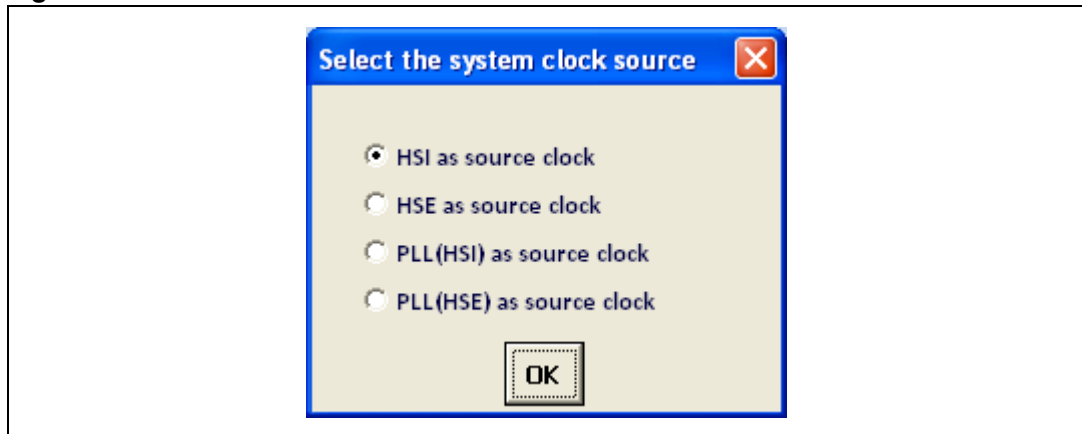
Figure 5. V_{DD} out of range

3. Configure the **Prefetch buffer**, **Instruction Cash** and the **Data cash** (select ON or OFF from the list box).
4. Specify if the PLLI2S is needed. If it is needed, enable it and follow step 9, 10, 11 and 12. Otherwise, go to step 5.
5. Specify if a 48 MHz clock is needed for USB OTG FS, RNG or SDIO operations. If it is needed, this adds a constraint to the parameter setting in PLL configuration. If it is not needed, no USB constraint has been added.
6. Set the desired HCLK frequency. The maximum frequency of HCLK must be less than 120 MHz. If the entered value is higher than 120 MHz an error message is displayed as shown in [Figure 6](#).

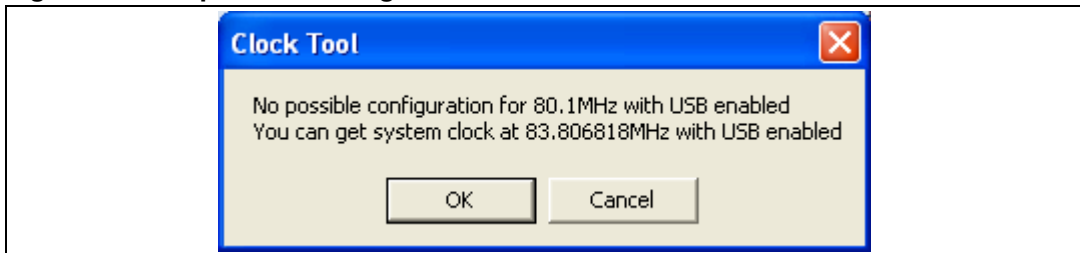
Figure 6. HCLK error message

7. Select the PCLK1 and PCLK2 prescaler settings from the list box to obtain the desired PCLK1 and PCLK2 frequencies. The TIMCLK frequencies are configured automatically depending on the PCLK1 and PCLK2 prescaler settings.
8. See step 7
9. Select the I2S clock source from the I2S source. Ignore steps 10, 11, and 12 if the external clock is selected as the clock source for the I2S peripheral.
10. If the PLLI2S is selected as the I2S clock source, select the frame wide (16 or 32 bits).
11. Specify if the master clock is enabled or disabled (Select ON/OFF from the list box).
12. Select the Fs from the list box. The Fs value can be 192 kHz, 96 kHz, 48 kHz, 44.1 kHz, 32 kHz, 22.05 kHz, 16 kHz, 11.025 kHz, and 8 kHz.
13. Click on the **RUN** button.

If more than one clock source is possible, a message box displays the clock sources that can be selected. (see [Figure 7](#)). Choose HSE, HSI or PLL (which are sourced by the HSI or HSE).

Figure 7. Select the clock source

Note: When the USB and/or the I2S are enabled (checkbox selected in the clock tool) and the selected HCLK frequency is not possible, a message box is displays proposes the nearest HCLK clock frequency to use.

Figure 8. No possible configuration error

Configure the Flash Latency: after running the application, the number of wait states is configured automatically with the best value (lowest possible value) which can be modified by another number higher than the selected one.

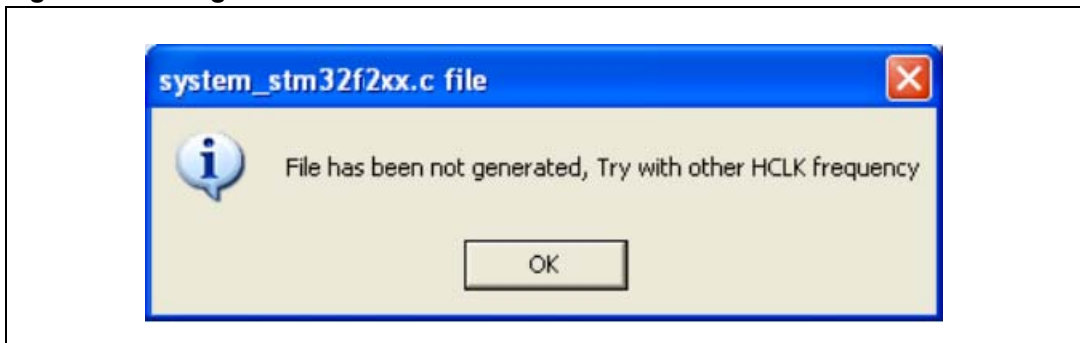
*Clicking the **RUN** button displays a progress bar.*

14. Finally, click on the **Generate** button to automatically generate the `system_stm32f2xx.c` file.

The `system_stm32f2xx.c` is generated in the same location as the clock tool. Display the file to verify the value of the system clock, `SystemCoreClock`, and the values of HCLK, PCLK1, PCLK2, Flash access mode, and other parameters which are defined in the `SetSysClock` function.

The `system_stm32f2xx.c` file must be added to the working project to be built.

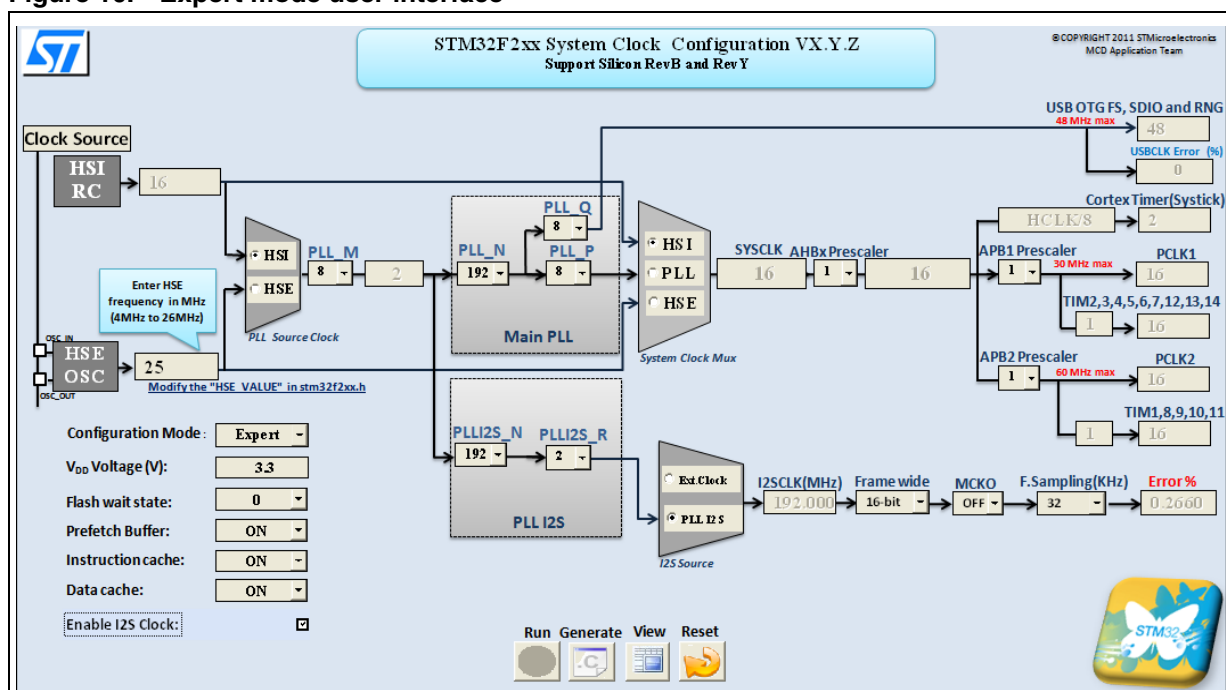
If the file is not generated, an error message is displayed as shown [Figure 9](#).

Figure 9. File generation error

3.2 Expert mode

This mode provides more flexibility regarding the configuration setup but, it is up to the user to ensure that configuration is correct.

Figure 10. Expert mode user interface



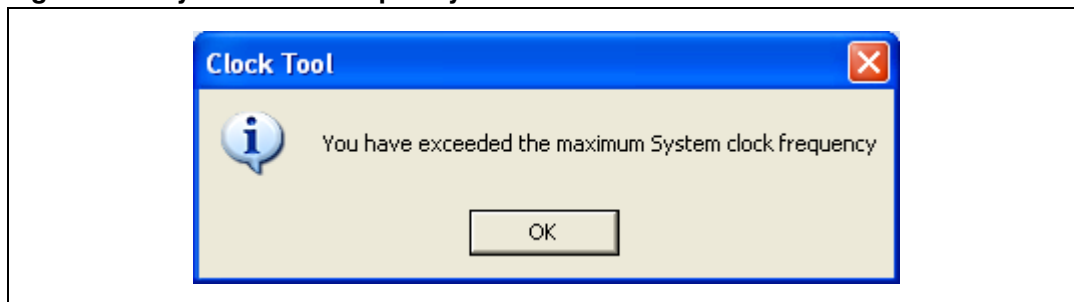
Note: The 'View' button permits viewing of the xls file in full screen to be activated or deactivated. The 'Reset' button permits the system clock to the default configuration to be set.

1. Configure the SYSCLK frequency as follows:

- If the HSE is used in your application, set its frequency between:
 - a minimum of 4 MHz
 - and
 - a maximum of 26 MHz if a crystal oscillator is used for STM32F2xx.

Note: The definition, `HSE_VALUE`, in the `stm32f2xx.h` file must be modified each time the user changes the HSE oscillator value.

- If the frequency entered is out of range, an error message is displayed, as shown in [Figure 4](#). A valid frequency must be entered.
- Enter the V_{DD} power supply voltage range which is between 1.8 V and 3.6 V (refer to [Figure 10: Expert mode user interface](#)).
 - Configure the SYSCLK source (PLL, HSE or HSI). If the clock source selection is invalid (the HCLK frequency is too high) an error message is displayed as shown in [Figure 11](#).

Figure 11. System clock frequency is exceeded

- d) If PLL is selected as the SYSCLK source, it is necessary to select the source clock for the PLL (HSE or HSI).
- e) If the PLL is selected as the SYSCLK source, configure the main PLL(M) division factor to achieve a PLLVCO frequency between 1 MHz and 2 MHz. If the selected division factor is invalid, an error message is displayed as shown in [Figure 12](#). If the I2S frequency is higher than 192 MHz an error message is displayed as shown in [Figure 13](#).

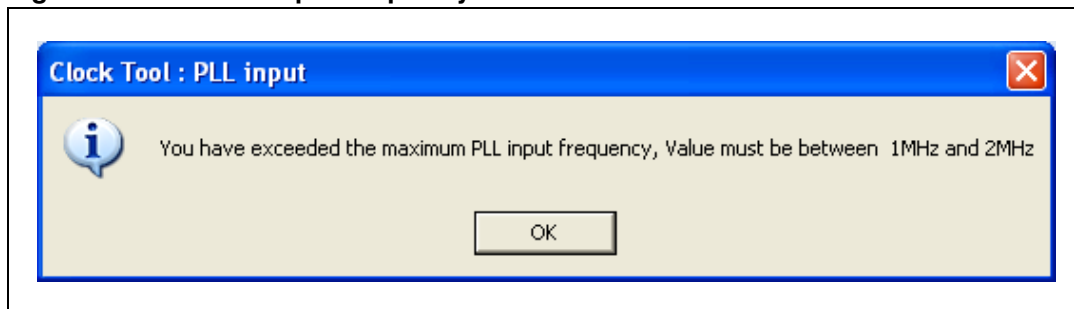
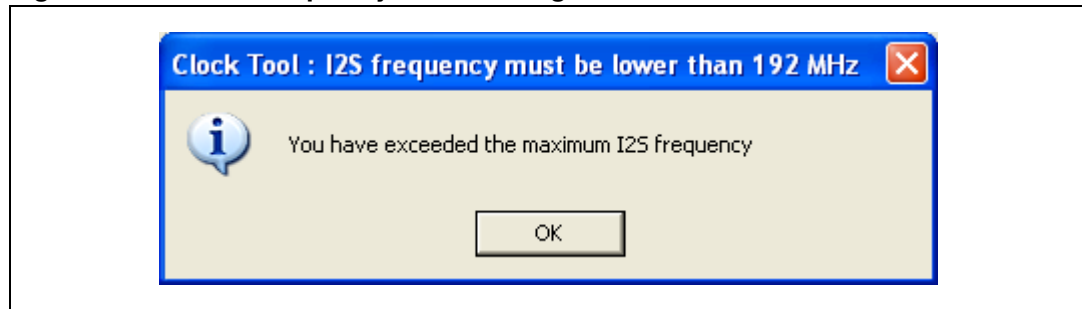
Figure 12. The PLL input frequency is exceeded

Figure 13. The I2S frequency is out of range



- f) Set the HCLK prescaler using the **AHBPrescaler** list box to obtain the desired HCLK frequency.
 - g) Select the PCLK1 prescaler settings from the list box to obtain the desired PCLK1 frequency. The TIMCLK frequencies are configured automatically depending on the PCLK1 prescaler settings.
 - h) Select the PCLK2 prescaler settings from the list box to obtain the desired PCLK2 frequency. The TIMCLK frequencies are configured automatically depending on the PCLK2 prescaler settings.
 - i) Configure the Flash Latency: after setting the HCLK prescaler, the number of Flash wait states is configured automatically with the best value (*lowest possible value*) which can be modified by another number higher than the selected one.
 - j) Generate the clock configuration files by clicking on the **Generate** button.
2. **Configure the I2S clock frequency as follows:**
 - a) If the PLLI2S is needed, enable it and follow the steps below.
 - b) If the external clock source is selected as the I2S clock source, the following steps can be ignored.
 - c) If the PLLI2S is selected as the clock source for the I2S peripheral, configure the PLLI2S(N) multiplication factor.
 - d) If the PLLI2S is selected as the clock source for the I2S peripheral, configure the PLLI2S(R) division factor.
 - e) If the PLLI2S is selected as the I2S clock source, select the frame wide (16 or 32 bits) and specify if the master clock is enabled or disabled.
 - f) Select the Fs from the list box. The Fs value can be 192 kHz, 96 kHz, 48 kHz, 44.1 kHz, 32 kHz, 22.05 kHz, 16 kHz, 11.025 kHz and 8 kHz.
 3. **Configure the USB OTG FS, RNG or SDIO clock**
Configure the PLL(Q) division factor for USB OTG FS, SDIO and the RNG.
 4. **Optional configuration**
Configure the **Prefetch buffer**, **Instruction Cash** and the **Data cash**.
 5. **Generate the *system_stm32f2xx.c* file**
Click on the **Generate** button to automatically generate the *system_stm32f2xx.c* file. The *system_stm32f2xx.c* file is generated in the same location as the clock tool. It can be displayed to verify the value of the SYSCLK "SystemCoreClock" and the values of HCLK, PCLK1, PCLK2, Flash access mode, and other parameters which are defined in the "SetSysClock" function.
The *system_stm32f2xx.c* file must be added to the working project to be built.

4 Known limitations

This sections describes the known limitations of the clock configuration tool.

This tool does not support configurations that use the HSE external clock source (HSE bypass).

5 Conclusion

This application note provides a description of how to use the clock tool with respect to STM32F2xx microcontroller devices. Using either one of the two configuration modes, this tool generates a source code file *system_stm32f2xx.c* to configure the clock system of the STM32F2xx.

Two modes are available.

Wizard mode is the first mode and provides a quick and easy way to configure the system clocks.

Expert mode is the second mode. It offers more flexibility in setting up the system clock configuration while still respecting all the product constraints.

6 Revision history

Table 3. Document revision history

Date	Revision	Changes
18-Apr-2011	1	Initial release
04-Nov-2011	2	New Figure 3: Wizard mode user interface on page 11 New Figure 4: HSE value out of range on page 12 Changed Note: on page 13 Changed Figure 10: Expert mode user interface on page 15 Changed Section 4: Known limitations on page 18

Please Read Carefully:

Information in this document is provided solely in connection with ST products. STMicroelectronics NV and its subsidiaries ("ST") reserve the right to make changes, corrections, modifications or improvements, to this document, and the products and services described herein at any time, without notice.

All ST products are sold pursuant to ST's terms and conditions of sale.

Purchasers are solely responsible for the choice, selection and use of the ST products and services described herein, and ST assumes no liability whatsoever relating to the choice, selection or use of the ST products and services described herein.

No license, express or implied, by estoppel or otherwise, to any intellectual property rights is granted under this document. If any part of this document refers to any third party products or services it shall not be deemed a license grant by ST for the use of such third party products or services, or any intellectual property contained therein or considered as a warranty covering the use in any manner whatsoever of such third party products or services or any intellectual property contained therein.

UNLESS OTHERWISE SET FORTH IN ST'S TERMS AND CONDITIONS OF SALE ST DISCLAIMS ANY EXPRESS OR IMPLIED WARRANTY WITH RESPECT TO THE USE AND/OR SALE OF ST PRODUCTS INCLUDING WITHOUT LIMITATION IMPLIED WARRANTIES OF MERCHANTABILITY, FITNESS FOR A PARTICULAR PURPOSE (AND THEIR EQUIVALENTS UNDER THE LAWS OF ANY JURISDICTION), OR INFRINGEMENT OF ANY PATENT, COPYRIGHT OR OTHER INTELLECTUAL PROPERTY RIGHT.

UNLESS EXPRESSLY APPROVED IN WRITING BY TWO AUTHORIZED ST REPRESENTATIVES, ST PRODUCTS ARE NOT RECOMMENDED, AUTHORIZED OR WARRANTED FOR USE IN MILITARY, AIR CRAFT, SPACE, LIFE SAVING, OR LIFE SUSTAINING APPLICATIONS, NOR IN PRODUCTS OR SYSTEMS WHERE FAILURE OR MALFUNCTION MAY RESULT IN PERSONAL INJURY, DEATH, OR SEVERE PROPERTY OR ENVIRONMENTAL DAMAGE. ST PRODUCTS WHICH ARE NOT SPECIFIED AS "AUTOMOTIVE GRADE" MAY ONLY BE USED IN AUTOMOTIVE APPLICATIONS AT USER'S OWN RISK.

Resale of ST products with provisions different from the statements and/or technical features set forth in this document shall immediately void any warranty granted by ST for the ST product or service described herein and shall not create or extend in any manner whatsoever, any liability of ST.

ST and the ST logo are trademarks or registered trademarks of ST in various countries.

Information in this document supersedes and replaces all information previously supplied.

The ST logo is a registered trademark of STMicroelectronics. All other names are the property of their respective owners.

© 2011 STMicroelectronics - All rights reserved

STMicroelectronics group of companies

Australia - Belgium - Brazil - Canada - China - Czech Republic - Finland - France - Germany - Hong Kong - India - Israel - Italy - Japan - Malaysia - Malta - Morocco - Philippines - Singapore - Spain - Sweden - Switzerland - United Kingdom - United States of America

www.st.com

