

Design recommendations for STM32L4xxxx with external SMPS, for ultra-low-power applications with high performance

Introduction

STM32L4xxxx microcontrollers use an innovative architecture with high flexibility and an advanced set of peripherals to attain best-in-class, ultra-low power figures. Both the STM32L4 and STM32L4+ Series outperform the competition in the ultra-low-power world, providing by far the best energy efficiency.

Microcontrollers of the STM32L4 Series operate at up to 80 MHz, achieving 100 DMIPS performance at 80 MHz, while those of the STM32L4+ Series operate at up to 120 MHz, achieving 150 DMIPS performance at 120 MHz. All of them exploit an integrated Chrom_ART Accelerator™, while maintaining the smallest possible dynamic power consumption. These products feature flexible power-mode management to reduce the overall application power consumption.

To further maximize the battery lifetime, the external SMPS (switched-mode power supply) version of STM32L4xxxx ultra-low-power MCUs extends the power efficiency in Run modes by generating a V_{CORE} logic supply from an external DC/DC converter rather than from an integrated LDO. These devices, marked with a 'P' suffix, use a different pinout, in which two GPIO pins are replaced by two VDD12 supply pins that must be connected to the external SMPS (the number of available GPIOs is therefore reduced by 2). The expected power consumption gain in Run modes can be up to ~60%.

This application note applies only to the products listed in [Table 1](#) (see details in the ordering information scheme of the corresponding datasheet [\[3\]](#)).

Table 1. Applicable products⁽¹⁾

Type	Part numbers
STM32L4xxxx	STM32L412RB, STM32L422RB STM32L433RC STM32L452RE STM32L476JG, STM32L476ZG STM32L496AG, STM32L496VG, STM32L496ZG STM32L4R5ZI, STM32L4R9ZI

1. Only applicable to devices marked with a 'P' suffix

Contents

1	Expected power gain	5
2	Hardware description	6
2.1	Hardware overview	6
2.2	V _{DD12} power supply rules	7
2.2.1	STM32L4 Series	7
2.2.2	STM32L4+ Series	8
2.3	How to select the right external components	9
2.4	Selection of the SMPS	10
2.5	Selection of the switch and control schematic	10
3	SMPS management provided in the HAL and BSP	12
3.1	Switching the SMPS ON/OFF	13
3.1.1	SMPS switching (OFF to ON)	13
3.1.2	SMPS switching (ON to OFF)	14
3.2	Power state transitions	15
4	Computing current consumption	17
5	Optimizing IoT and very low-power applications	19
6	Reference documents	20
7	Revision history	21

List of tables

Table 1.	Applicable products	1
Table 2.	Typical gain for Nucleo-144 SMPS board, $V_{DD12} = 1.1\text{ V}$ and $V_{DD} = 3.3\text{ V}$ in Run mode	5
Table 3.	Typical gain for Nucleo-144 SMPS board, $V_{DD12} = 1.05\text{ V}$ and $V_{DD} = 3.3\text{ V}$	5
Table 4.	SMPS pin definitions	12
Table 5.	Reference documents	20
Table 6.	Document revision history	21

List of figures

Figure 1.	Internal main regulator overview	6
Figure 2.	Typical SMPS implementation	9
Figure 3.	Asynchronous reset typical waveform	11
Figure 4.	SMPS OFF to ON switching control pin sequence	13
Figure 5.	SMPS ON to OFF switching control pin sequence	14
Figure 6.	Possible transitions according to SMPS voltage, STM32L4 Series	15
Figure 7.	Possible transitions according to SMPS voltage, STM32L4+ Series	16
Figure 8.	Power consumption without SMPS	17
Figure 9.	Power consumption for SMPS	18
Figure 10.	CoreMark™ power consumption at 80 MHz system frequency	19

1 Expected power gain

Microcontrollers of the STM32L4 and STM32L4+ Series are based on the Arm^{®(a)} Cortex[®]-M4 with FPU core.

By using an external switched-mode power supply (SMPS) instead of an integrated low-dropout regulator (LDO), power consumption is optimized by a factor equal to the ratio of the internal V_{CORE} supply voltage to the V_{DD} voltage. The improvement due to the SMPS depends only upon the SMPS efficiency and the V_{DD} voltage.

[Table 2](#) represents the typical gain obtained with an STM32L496 device on a Nucleo-144 SMPS board [2], where $V_{DD12} = 1.1$ V and $V_{DD} = 3.3$ V in Run mode.

Table 2. Typical gain for Nucleo-144 SMPS board, $V_{DD12} = 1.1$ V and $V_{DD} = 3.3$ V in Run mode

Main regulator voltage range	Frequency (MHz)	Code	I_{DD}				Gain
			SMPS OFF		SMPS ON		
			mA	μ A/MHz	mA	μ A/MHz	
Range 2	24	While	2.23	93	1.01	42	51%
		CoreMark™	2.69	112	1.19	50	52%
		Reduced code	2.54	106	1.09	45	51%
Range 1 if SMPS is OFF or Range 2 if SMPS is ON	80	While	8.88	111	3.33	42	63%
		CoreMark™	10.6	132	3.88	48	63%
		Reduce Code	9.66	121	3.55	44	63%

Table 3. Typical gain for Nucleo-144 SMPS board, $V_{DD12} = 1.05$ V and $V_{DD} = 3.3$ V

Main regulator voltage range	Frequency (MHz)	Code	I_{Dd}				Gain ⁽¹⁾
			SMPS OFF		SMPS ON		
			mA	μ A/MHz	mA	μ A/MHz	
Range 2	24	While	2.23	93	0.96	40	57%
		CoreMark™	2.69	112	1.08	45	60%
		Reduce Code	2.54	102	1.02	42	60%

1. For STM32L422 devices reduction will be about 5% higher in Range 2 because of lower required V_{DD12} (1.00 instead of 1.05 V).

As can be seen from the tables above, using the SMPS considerably reduces the energy consumption of the microcontroller, up to 63% on this Nucleo board.

arm

a. Arm is a registered trademark of Arm Limited (or its subsidiaries) in the US and/or elsewhere.

2 Hardware description

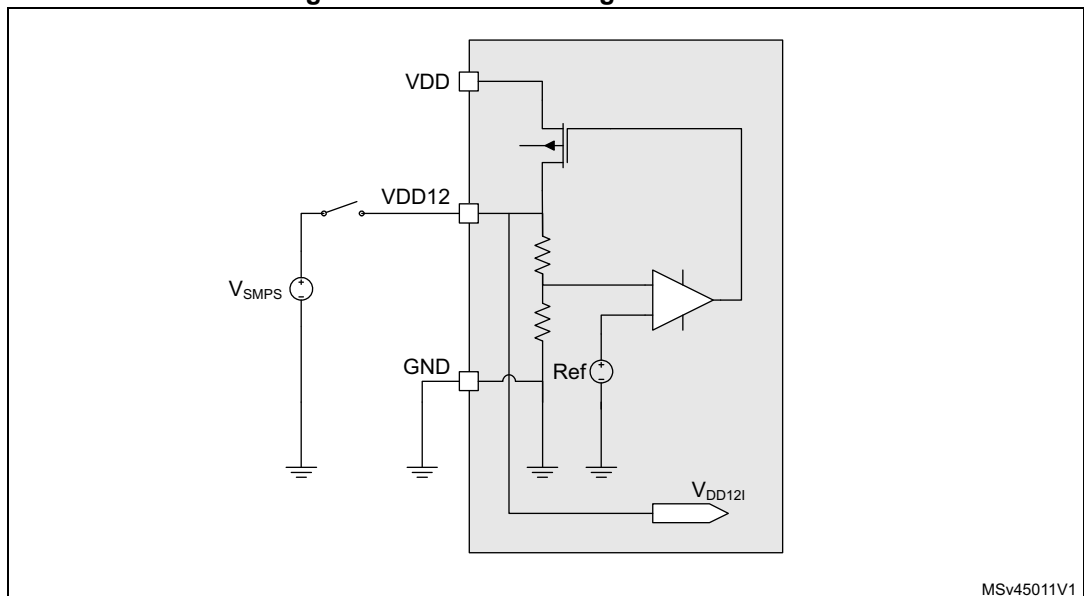
2.1 Hardware overview

The STM32L4xxx ultra-low-power microcontrollers embed two linear regulators to supply its digital part.

Refer to AN4621 [5] for further details of the various power states of the STM32L4 Series.

When the STM32L4xxx is in Run, Sleep or Stop 0 mode, it uses its internal main regulator. The STM32L4 SMPS package allows an external voltage source to be connected to the VDD12 pins. In this case, if the external power supply connected to the VDD12 pin exceeds the internally generated voltage (V_{DD12I}) by 50 mV or more, the main regulator (MR) is automatically disabled and the digital current is provided by the external source.

Figure 1. Internal main regulator overview



2.2 V_{DD12} power supply rules

2.2.1 STM32L4 Series

As the V_{DD12} voltage directly supplies the internal logic, it must comply with the following rules:

1. V_{DD12} must never exceed an absolute maximum voltage of 1.32 V under any condition (including ripple and spikes of the SMPS), otherwise there is a risk of reliability and hardware degradation.
2. If the application accommodates SYSCLK frequencies below 26 MHz only, the V_{DD12} voltage must be higher than 1.05 V. In this case the main regulator Range 2 Flash latency and peripheral limitation (USB, RNG) parameters must be applied.
3. If the application requires the full SYSCLK Frequency range (up to 80 MHz), the V_{DD12} voltage must be higher than 1.08 V. In this case the main regulator Range 1 Flash latency parameters must be applied.
4. When powering up the MCU, the SMPS must be disconnected. The user must ensure that the switch is turned off until the SMPS output voltage has stabilized.
5. When any reset arrives, the following rules apply:
 - a) If V_{DD12} is lower than 1.25 V, the external SMPS must be disconnected from the VDD12 pin during the reset signal transition time, within a maximum delay time of 1 μ s.
 - b) If V_{DD12} is higher than 1.25 V, it is not necessary to disconnect the SMPS.
6. SMPS transitions of V_{DD12} from connected to disconnected are only allowed when the SYSCLK frequency is \leq 26 MHz, to avoid a large voltage drop when the main LDO restarts.
7. The SMPS can only be connected during Run, Sleep or Stop 0 modes, and then only if V_{DD12} is at least 50 mV higher than the main regulator output voltage. In other modes, the SMPS must be disconnected.
8. V_{DD12} must be present after V_{DD} and internal LDO are ready.

Improvements supporting external SMPS integrated in STM32L41xxx/STM32L42xxx devices

For STM32L41xxx and STM32L42xxx devices, new control bit EXT_SMPS_ON has been introduced for better efficiency in Range 2 with SMPS. When this bit is set, output of internal LDO is decreased from 1.00 to 0.95 V, making it possible to support external V_{DD12} down to 1.00 V. Therefore, rule 2 requires V_{DD12} voltage higher than 1.00 V when this bit is set.

To prevent voltage drops on V_{DD12} , this bit must be set after SMPS switch is closed, and must be cleared before SMPS switch is opened.

On those devices, a status bit EXT_SMPS_RDY informing about the state of regulator transition from Range 1 to Range 2 is available. This bit shall be polled by SW.

The handling of those bits is implemented in the HAL and BSP packages.

2.2.2 STM32L4+ Series

As the V_{DD12} voltage directly supplies the internal logic, it must comply with the following rules:

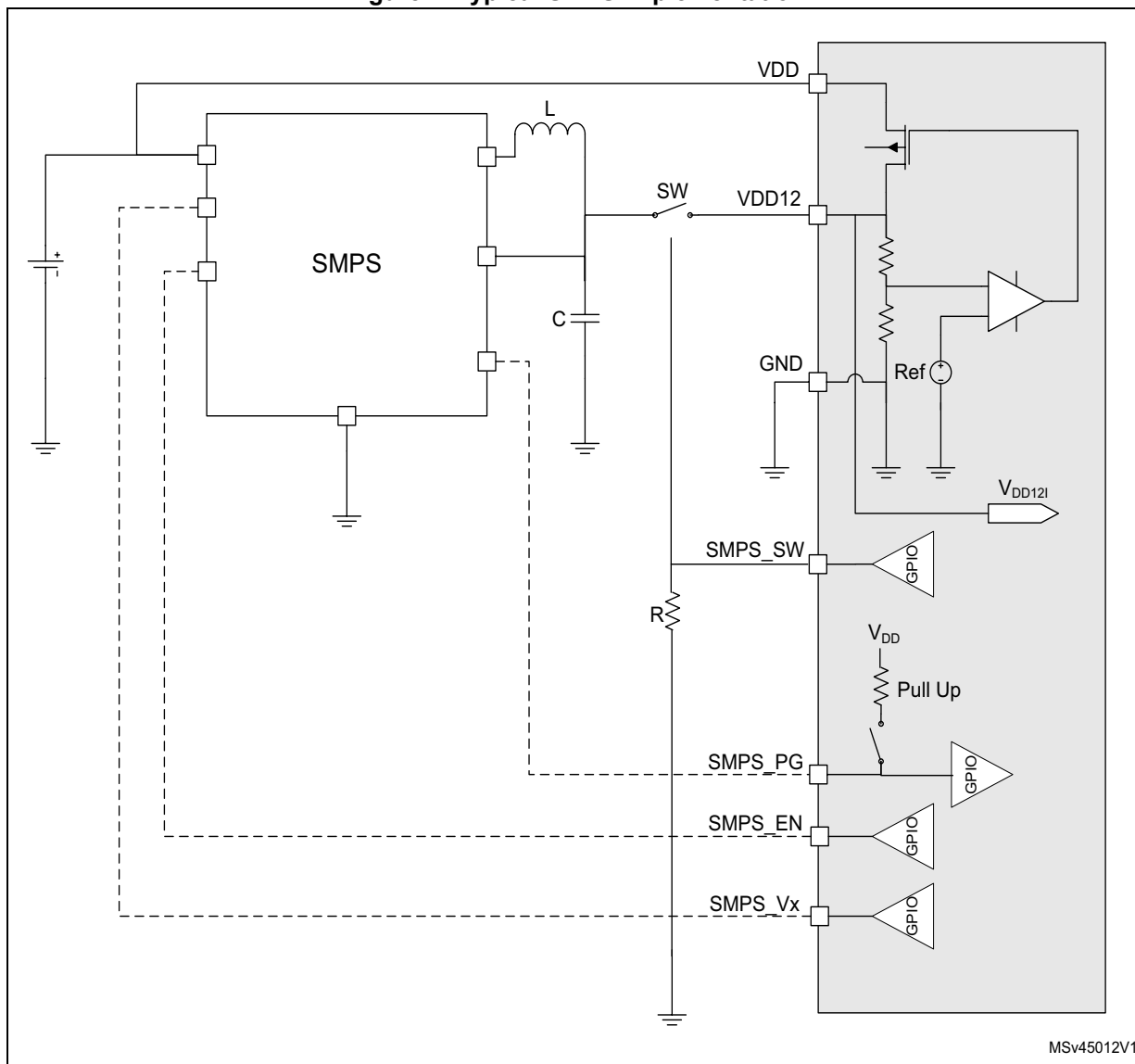
1. V_{DD12} must never exceed an absolute maximum voltage of 1.32 V under any condition (including ripple and spikes of the SMPS), otherwise there is a risk of reliability and hardware degradation.
2. If the application accommodates SYSCLK frequencies below 26 MHz only, the V_{DD12} voltage must be higher than 1.05 V (and possibly 1.08 V) to support Flash memory write/erase operation. In this case the main regulator Range 2 Flash latency and peripheral limitation (USB, RNG) parameters must be applied.
3. If the application requires the SYSCLK frequency range up to 80 MHz, the V_{DD12} voltage must be higher than 1.08 V. In this case the main regulator Range 1 Flash latency parameters must be applied.
4. If the application requires the SYSCLK frequency range up to 120 MHz, the V_{DD12} voltage must be higher than 1.14 V. In this case the main regulator Range 1 Flash latency parameters must be applied.
5. When powering up the MCU, the SMPS must be disconnected. The user must ensure that the switch is turned off until the SMPS output voltage has stabilized.
6. When any reset arrives, the following rules apply:
 - a) If V_{DD12} is lower than 1.25 V, the external SMPS must be disconnected from the VDD12 pin during the reset signal transition time, within a maximum delay time of 1 μ s.
 - b) If V_{DD12} is higher than 1.25 V, it is not necessary to disconnect the SMPS.
7. SMPS transitions of V_{DD12} from connected to disconnected are only allowed when the SYSCLK frequency is lower than 26 MHz, to avoid a large voltage drop when the main LDO restarts.
8. The SMPS can only be connected during Run, Sleep or Stop 0 modes, and then only if V_{DD12} is at least 50 mV higher than the main regulator output voltage. In other modes, the SMPS must be disconnected.
9. V_{DD12} must be present after V_{DD} and internal LDO are ready.

2.3 How to select the right external components

In a regular implementation the user must consider two elements, the SMPS and the switch (note that some SMPS devices integrate a switch). To select these two critical elements, the user must define the maximum current (I_{max}) and the frequency required by the application.

The STM32CubeMX PCC tools allow computation of the current for a given CPU frequency and peripheral configuration.

Figure 2. Typical SMPS implementation



MSv45012V1

2.4 Selection of the SMPS

The SMPS maximum voltage must never exceed 1.32 V for both the STM32L4 and the STM32L4+ Series, whatever the SMPS ripple and transient (see rule 1 in [Section 2.2.1](#), and rule 1 in [Section 2.2.2](#), respectively).

The SMPS minimal voltage must be selected (rules 2 and 3 in [Section 2.2.1](#), rules 2 and 3 in [Section 2.2.2](#)), taking into account:

- R_{on} : the switch “on” resistance for a given output voltage and temperature
- I_{max} : the maximum peak current of the application
- V_{error} : the SMPS accuracy (generally few percent) plus the voltage variation with the load (Load Transient) as well as the ripple due to the chosen external C and L of the SMPS (see the SMPS provider’s application note).

$$V_{SMPS} > 1.05 \text{ V} + R_{on} \times I_{MAX} + V_{error} \text{ (for SYSCLK} \leq 26 \text{ MHz)}$$

$$V_{SMPS} > 1.08 \text{ V} + R_{on} \times I_{MAX} + V_{error} \text{ (for SYSCLK} \leq 80 \text{ MHz)}$$

$$V_{SMPS} > 1.14 \text{ V} + R_{on} \times I_{MAX} + V_{error} \text{ (for SYSCLK} \leq 120 \text{ MHz)}$$

Note: In the first formula 1.05 must be substituted with 1.00 for STM32L41xxx and STM32L42xxx devices.

In some cases it may be advantageous to switch the SMPS ON and OFF during long periods in low-power modes when it is not needed. However some SMPS devices require quite a long set-up time (a few ms) and have significant power consumption (a few μJ) during restart due to, for example, recharging of the external output capacitance.

2.5 Selection of the switch and control schematic

The main parameter to consider when choosing the switch is its R_{on} at the corresponding V_{SMPS} output voltage, as expressed in the previous set of equations.

It is the responsibility of the board designer to verify that the voltage on the VDD12 pins never exceeds 1.32 V and never goes below 1.05 V (or 1.08 V), even during transients when the switch opens or closes. This implies that the PCB tracks between the switch and the VDD12 pin are short enough to avoid creating significant ripple when changing impedance (switching on/off or off/on). It is prudent to add a 1 nF decoupling capacitor on each VDD12 pin to attenuate ripple and transients due to switch gate capacitance (as is done on the Nucleo-144 SMPS board [\[2\]](#) and Nucleo-64 SMPS boards [\[6\]](#)).

Note: It is not possible to increase such extra capacitances to more than a few nF, as this could make the STM32L4/L4+ internal regulators unstable.

Another parameter is the 1 μs (maximum) switch-opening time to isolate V_{DD12} from the SMPS when an asynchronous reset arrives (rule 5 in [Section 2.2.1](#), rule 6 in [Section 2.2.2](#)).

This is the purpose of the resistor R in [Figure 2](#):

- It guarantees that at power-on reset, the control voltage of the switch configures the switch to be open. Note that it is also important to check that the switch is open when V_{DD} rises. Refer also to the switch datasheet.
- It guarantees, when ON, that the switch control signal is driven low, opening the switch when an asynchronous reset occurs. This is due to the fact the GPIO is in a Hi-Z state on reset.

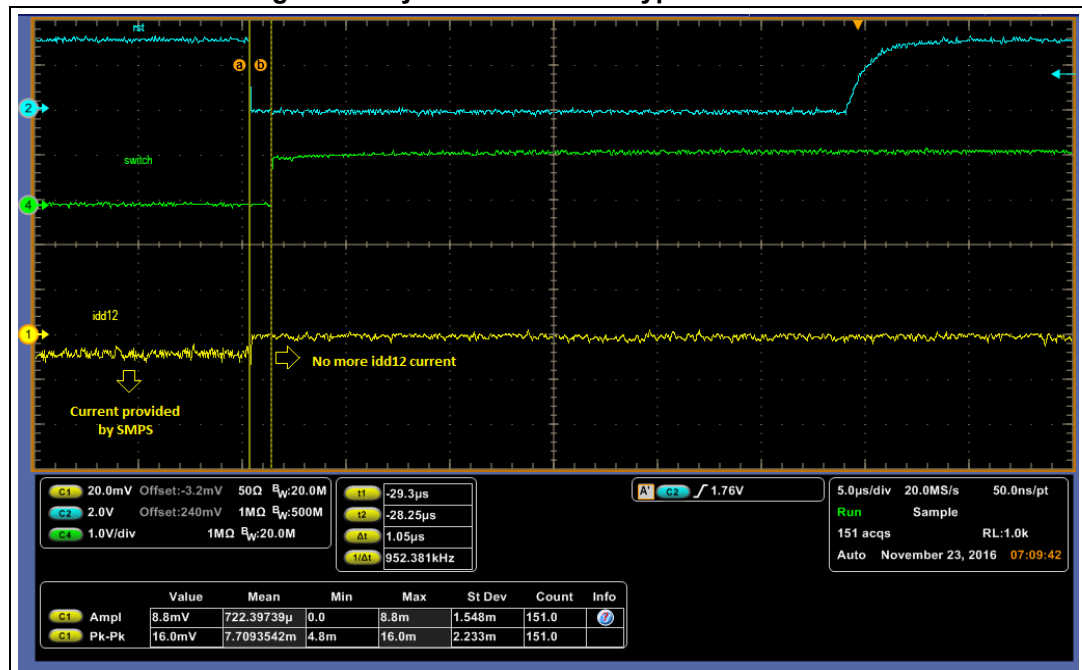
The value of R is chosen to satisfy the following parameters:

- The 1 μ s time constant to turn the switch OFF while an asynchronous reset arrives. The lower value of R, the faster the switch turns OFF. The value of R therefore depends on the switch control signal input capacitance, see [Figure 3](#).
- The tolerated additional consumption happens only in Run mode. Here, a high R value reduces the extra current while in Run/Sleep/Stop 0 modes.

Note: Depending on the application and the allowable current in Run and/or low-power modes, other hardware schematics can be used.

[Figure 3](#) shows a capture of an asynchronous reset with $R = 33 \text{ k}\Omega$.

Figure 3. Asynchronous reset typical waveform



- The cyan trace shows an asynchronous reset on the nRST pin.
- The green trace shows the switch inverted control signal (nSMPS_SW)
- The yellow trace is the (inverted) I_{DD12} provided by the SMPS through the switch on the VDD12 pins.

This shows that using a resistor $R = 33 \text{ k}\Omega$ gives the required 1 μ s disconnection (rule 5 in [Section 2.2.1](#)).

3 SMPS management provided in the HAL and BSP

The SMPS is an external component managed by the microcontroller GPIOs, so the software functions to control it are located in the BSP (board support package). It is the responsibility of the user application to ensure that the rules described in [Section 2.2](#) are implemented and that the power transitions are allowed, as there is no safeguard mechanism in the HAL or the BSP.

The SPMS pins are defined in [Table 4](#).

Table 4. SMPS pin definitions

Pins	Mandatory	Type	Function
SMPS_SW	Yes	Out	Control switch to enable SMPS supply on VDD12 pins
SMPS_EN	No	Out	Control SMPS on/off
SMPS_PG	No	In	Check SMPS power good
SMPS_V1	No	Out	Select SMPS voltage

The main SMPS functions provided by the HAL or BSP are the following:

- `BSP_SMPS_Init(uint32_t Voltage);`
Initialize the external SMPS pins: SMPS_EN, SMPS_SW, SMPS_PG, SMPS_V1.
- `BSP_SMPS_DeInit(void);`
De-initialize the external SMPS component.
- `BSP_SMPS_Enable(uint32_t Delay, uint32_t Power_Good_Check);`
Enable the external SMPS component by setting the SMPS_EN pin to '1'.
- `BSP_SMPS_Disable(void);`
Disable the external SMPS component by clearing the SMPS_EN pin to 0 only if SMPS_SW is already set to 0. Otherwise, the function returns an error code).
- `BSP_SMPS_Supply_Enable(uint32_t Delay, uint32_t Power_Good_Check);`
Close the switch to enable the power supply on the VDD12 pins by setting the SMPS_SW pin to '1'.
- `BSP_SMPS_Supply_Disable(void);`
Disable the SMPS power supply on the VDD12 pins by clearing the SMPS_SW pin to '0'.

3.1 Switching the SMPS ON/OFF

This section provides sample code to switch the SMPS ON/OFF when the voltage is between 1.05 V and 1.2 V, as tested and used on the Nucleo-144 SMPS board [2].

3.1.1 SMPS switching (OFF to ON)

```

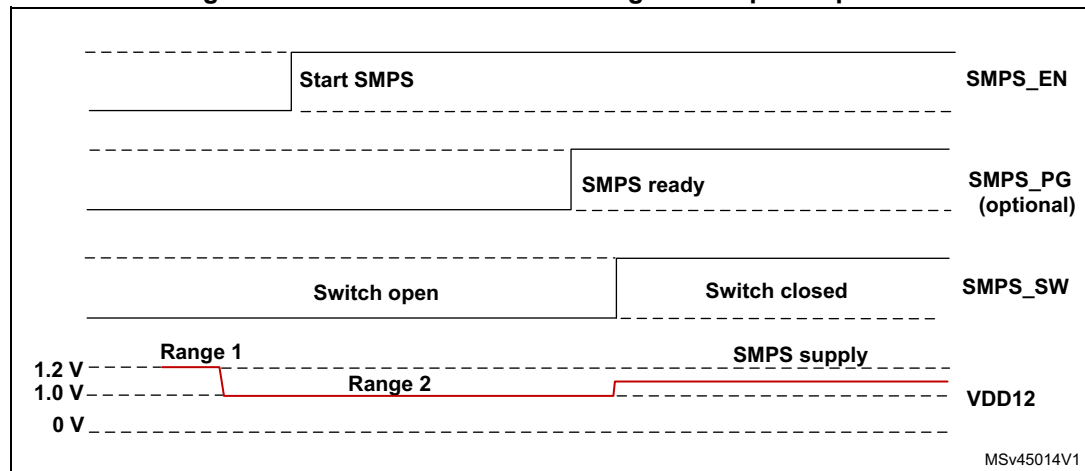
/* Reduce main freq below 26MHz */
HAL_PWREx_ControlVoltageScaling(PWR_REGULATOR_VOLTAGE_SCALE2);
BSP_SMPS_Init(0);
/* Start SMPS and wait for 5 ms */
BSP_SMPS_Enable(5 /* in ms */, 0 /* no PG check*/);
/* Close switch if SMPS power good is ok */
if(BSP_SMPS_Supply_Enable(0, 1 /* Check PG*/) == SMPS_OK){
/* SMPS is used */
/* Increase Flash latency and then frequency to high performance range 1 if
rule #3 is satisfied (>1.08V) */
}

```

On the STM32L4+ Series, BSP automatically sets the register FLASH_CFGR bit LVEN to 1 reducing Flash memory access time, as on Nucleo-144 V_{DD12} is higher than 1.08 V.

Figure 3 shows the result of the above sequence on the SMPS control pins.

Figure 4. SMPS OFF to ON switching control pin sequence



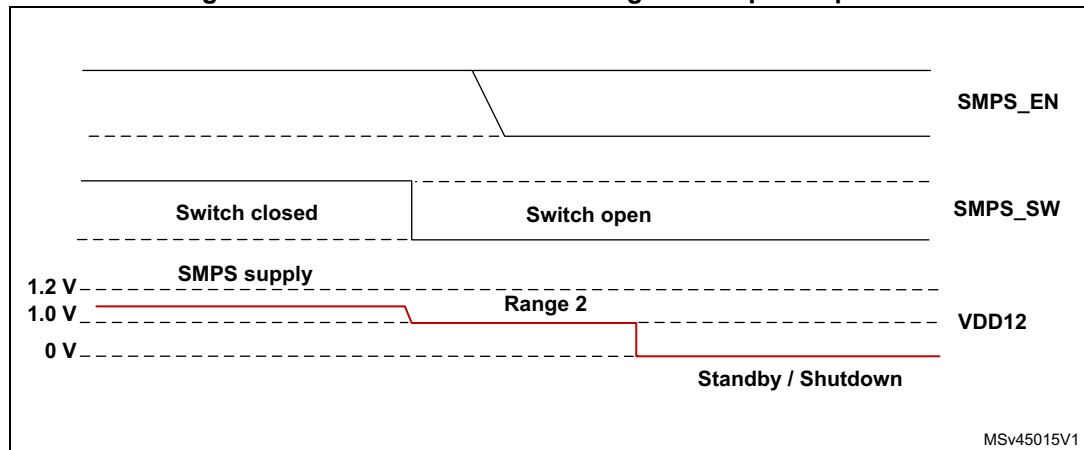
3.1.2 SMPS switching (ON to OFF)

```

/* Reduce Frequency and then Flash latency to performance range 2 (rule #6) */
/* Switch off */
BSP_SMPS_Supply_Disable();
/* Stop SMPS only if required */
BSP_SMPS_Disable();
/* Enter standby, STOP2 mode etc.. */
    
```

Figure 5 shows all the possible transitions depending on the voltage of the SMPS.

Figure 5. SMPS ON to OFF switching control pin sequence



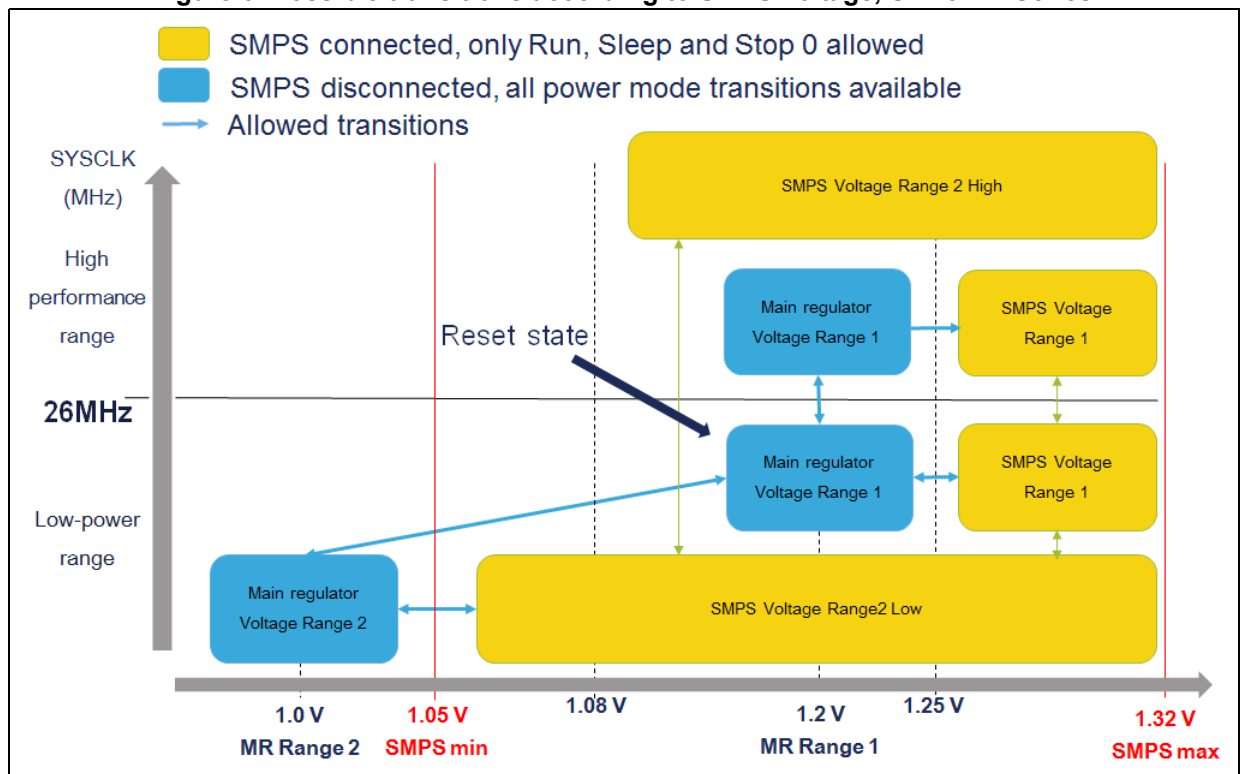
3.2 Power state transitions

As described in [Section 2](#), only Run, Sleep or Stop 0 modes are supported in SMPS supply mode, so special care should be taken at application level when moving from one power mode to another.

The STM32CubeMX PCC tool can be used to check for possible power mode transitions. [Figure 6](#) and [Figure 7](#) summarizes the following:

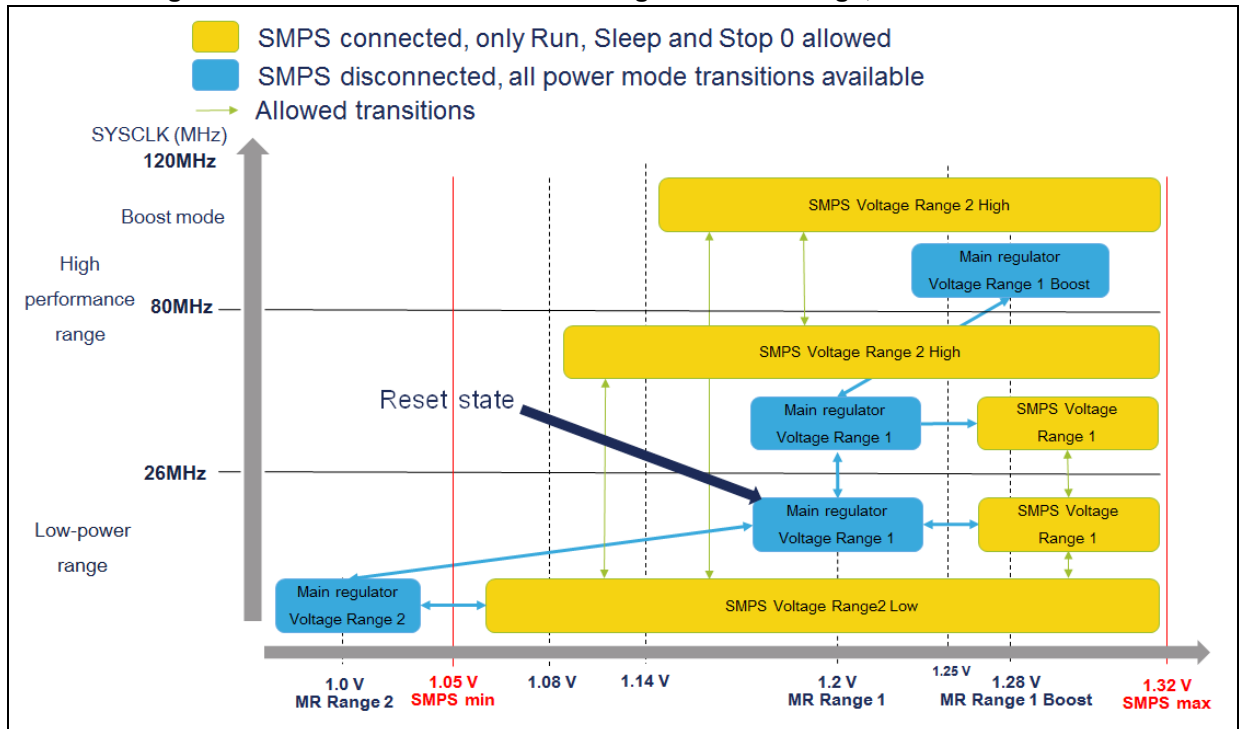
- steps to perform when moving between SMPS_SW OFF and SMPS_SW ON
- permitted power-mode transitions [\[5\]](#)

Figure 6. Possible transitions according to SMPS voltage, STM32L4 Series



1. For STM32L41xxx and STM32L42xxx devices, 1.00 V shall be used as SMPS min, as enabling bit EXT_SMPS_ON moves the MR Range 2 down to 0.95 V.

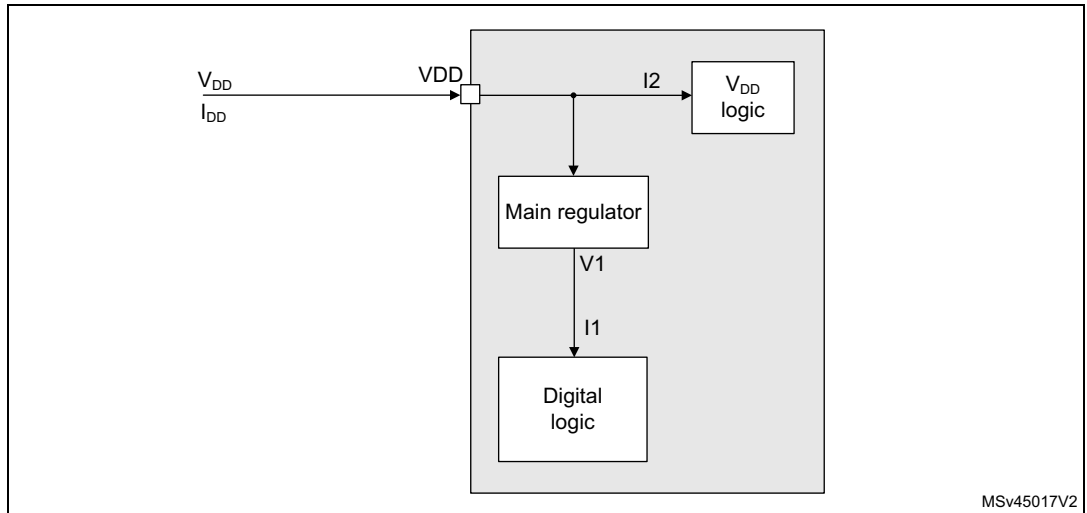
Figure 7. Possible transitions according to SMPS voltage, STM32L4+ Series



4 Computing current consumption

Figure 8 shows a simple approximation for computing the current consumption when an SMPS is not used.

Figure 8. Power consumption without SMPS

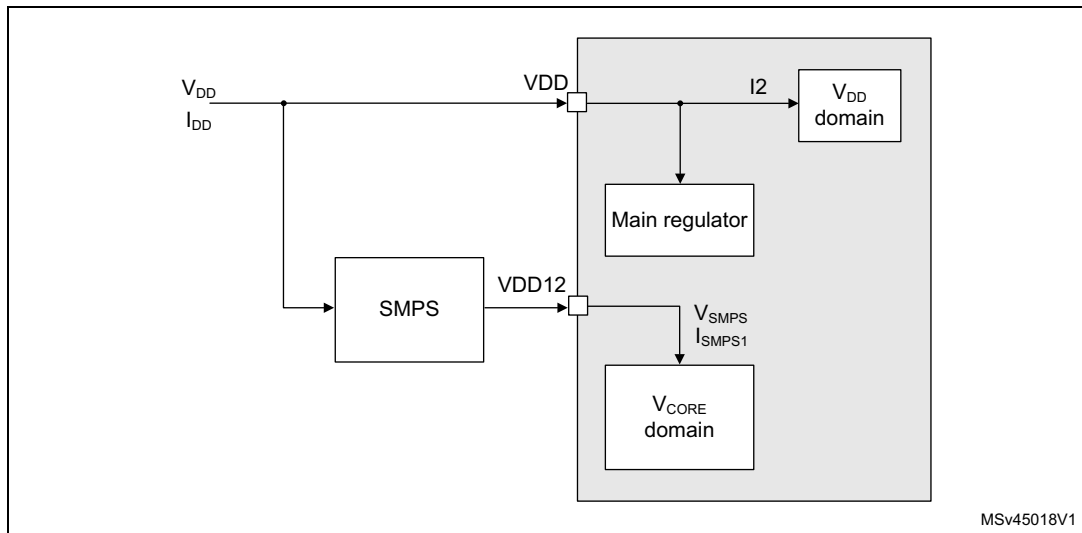


Here, the total current consumed by the chip (I_{DD}) is split into I_1 , consumed by the digital logic (CPU, Flash memory, RAM, digital peripherals) and I_2 , mostly consumed by the analog peripherals.

Depending on the main regulator voltage range, the digital logic V_{CORE} is supplied either with a V_1 of 1.2 V (Range 1), 1.28 V (Range 1 boost mode) or V_1 of 1.0 V (Range 2).

When using an external SMPS, the schematic shown in [Figure 9](#) applies.

Figure 9. Power consumption for SMPS



The digital logic is supplied by the SMPS, so its consumption becomes:

$$I_{SMPS1} = I_1 * V_{SMPS} / V_1$$

due to the change (either increase or decrease) of its supply source.

If we consider the efficiency of the SMPS (η), the overall consumption becomes:

$$I_{DD} = I_2 + I_{SMPS1} * V_{SMPS} / (\eta * V_{DD})$$

Merging the two equations gives:

$$I_{DD} = I_2 + I_1 * V_{SMPS}^2 / (\eta * V_{DD} * V_1)$$

In run modes, we can consider that the \$I_2\$ part is negligible, hence:

$$I_{DD} = I * V_{SMPS}^2 / (\eta * V_{DD} * V_1)$$

where \$I\$ is the current consumption without SMPS.

This equation demonstrates the advantage of using an SMPS, especially at high \$V_{DD}\$, and also the advantage of decreasing as much as possible the \$V_{SMPS}\$ voltage.

Note: The extra current consumed by the SMPS itself, often called 'quiescent', or 'current at no load', must be added, especially for very low values of \$I_{SMPS1}\$.

5 Optimizing IoT and very low-power applications

The SMPS associated with STM32L4xxxx products is well suited to IoT (Internet of Things) battery-supplied applications where voltages are high enough to take advantage of a DC/DC converter. Such applications usually have a PROCESS phase where a large number of computations are performed, followed by an INACTIVE phase (see AN4746 [5] for further details).

Depending on the choice of SMPS, it may be advantageous to stop the SMPS between the PROCESS and INACTIVE phases. However, some SMPS devices have a very high restart energy that might negate any advantage of shutting them down during the INACTIVE phase.

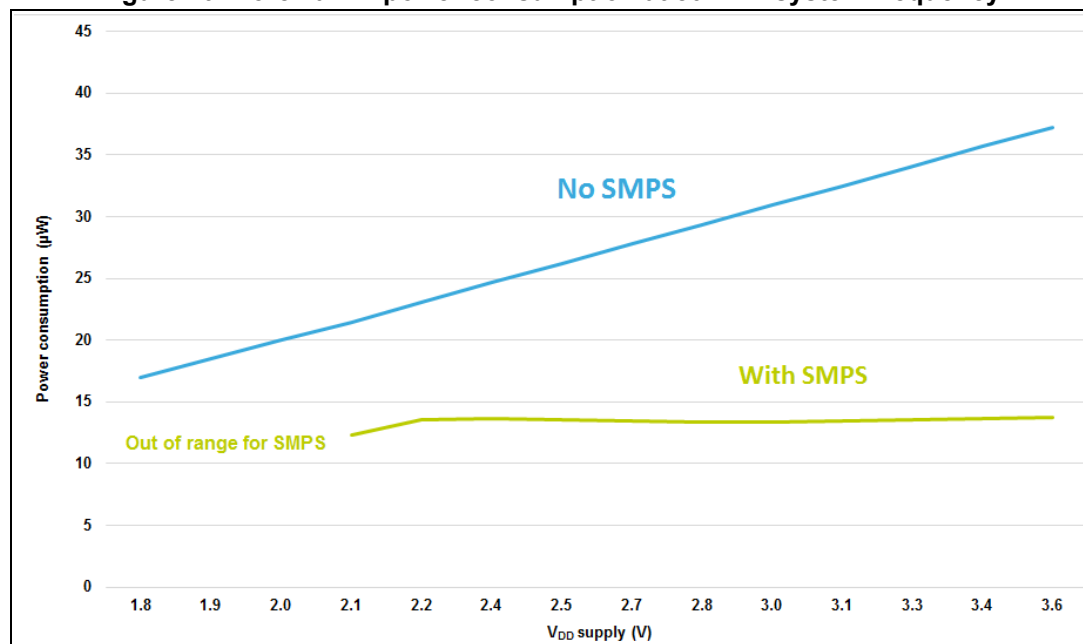
Note: For Standby mode, the HAL/BSP can keep the SMPS enabled when going into the INACTIVE state. If `BSP_SMPS_Disable()` is NOT called when going into standby, the SMPS is kept enabled until the next wakeup to save its restart energy.

The SMPS output capacitance represents a high energy tank (a few μJ) that is advantageous to keep charged during the inactive phase, so SMPS devices that discharge their output when disabled are to be avoided.

Using the SMPS_PG power-good signal slightly increases the energy consumption and it might be preferable not to use it. However, our HAL/BSP implementation configures the pull-up dynamically on a Nucleo-144 SMPS board [2], which minimizes the consumption only when checking the power-good signal.

Figure 10 shows CoreMark™ consumption as a function of the V_{DD} supply.

Figure 10. CoreMark™ power consumption at 80 MHz system frequency



To further reduce the consumption during INACTIVE phases, a VDD IO SMPS can be used to supply V_{DD} down to 1.8 V. Consequently, standard IoT application as well as benchmark scores, for example ULPBench™, are improved. See AN4746 [4] for ULPBench configuration, and the EEMBC web site for further details.

6 Reference documents

Table 5. Reference documents

Reference	Revision	Type	ID	Title
[1]	Latest version	Reference manual	RM0351	STM32L4x5 and STM32L4x6 advanced Arm [®] -based 32-bit MCUs
			RM0394	STM32L43xxx STM32L44xxx STM32L45xxx STM32L46xxx advanced ARM [®] -based 32-bit MCUs
[2]		User manual	UM2179	STM32 Nucleo-144 boards
[3]		Datasheet	DS12469	STM32L412xx devices
			DS12470	STM32L422xx devices
			DS11449	STM32L433xx devices
			DS11912	STM32L452xx devices
			DS10198	STM32L476xx devices
			DS11585	STM32L496xx devices
			DS12023	STM32L4R5xx, STM32L4R7xx and STM32L4R9xx devices
[4]	Application note	AN4746	Optimizing power and performance with STM32L4 Series microcontrollers	
[5]		AN4621	STM32L4 ultra-low-power features overview	
[6]	User manual	UM2206	STM32 Nucleo-64-P boards	

7 Revision history

Table 6. Document revision history

Date	Revision	Changes
17-Mar-2017	1	Initial version.
10-Apr-2017	2	Added rule 7 in Section 2.2: VDD12 power supply rules .
07-Sep-2017	3	Updated: <ul style="list-style-type: none"> – Document title on cover page – Table 1: Applicable products – Section 2.2: VDD12 power supply rules (point 7) – Section 2.5: Selection of the switch and control schematic
13-Feb-2018	4	Introduced STM32L4+ Series. Updated Introduction , Section 2.4: Selection of the SMPS , Section 2.5: Selection of the switch and control schematic , Section 3.1.1: SMPS switching (OFF to ON) , Section 3.2: Power state transitions and Section 4: Computing current consumption . Split Section 2.2: VDD12 power supply rules in Section 2.2.1: STM32L4 Series and Section 2.2.2: STM32L4+ Series . Updated Table 1: Applicable products and Table 5: Reference documents . Updated Figure 6: Possible transitions according to SMPS voltage, STM32L4 Series and Figure 8: Power consumption without SMPS . Added Figure 7: Possible transitions according to SMPS voltage, STM32L4+ Series .
25-Jul-2018	5	Introduced STM32L412RB and STM32L422RB devices, hence updated Table 1: Applicable products and Table 5: Reference documents . Added Improvements supporting external SMPS integrated in STM32L41xxx/STM32L42xxx devices and footnotes to Table 3: Typical gain for Nucleo-144 SMPS board, VDD12 = 1.05 V and VDD = 3.3 V , and to Figure 6: Possible transitions according to SMPS voltage, STM32L4 Series . Updated Section 2.4: Selection of the SMPS . Minor text edits across the whole document.

IMPORTANT NOTICE – PLEASE READ CAREFULLY

STMicroelectronics NV and its subsidiaries ("ST") reserve the right to make changes, corrections, enhancements, modifications, and improvements to ST products and/or to this document at any time without notice. Purchasers should obtain the latest relevant information on ST products before placing orders. ST products are sold pursuant to ST's terms and conditions of sale in place at the time of order acknowledgement.

Purchasers are solely responsible for the choice, selection, and use of ST products and ST assumes no liability for application assistance or the design of Purchasers' products.

No license, express or implied, to any intellectual property right is granted by ST herein.

Resale of ST products with provisions different from the information set forth herein shall void any warranty granted by ST for such product.

ST and the ST logo are trademarks of ST. All other product or service names are the property of their respective owners.

Information in this document supersedes and replaces information previously supplied in any prior versions of this document.

© 2018 STMicroelectronics – All rights reserved