
**Getting started with STM32G4 Series
hardware development boards**

Introduction

This application note provides system designers with hardware implementation overview of the development board features such as power supply, clock management, reset control, boot mode setting and debug management.

It shows how to use STM32G4 Series microcontrollers, and describes the minimum hardware resources required to develop an application using these products.

Detailed reference design schematics are also contained in this document with descriptions of the main components, interfaces and modes.

Contents

- 1 General information 6**
- 2 Power supplies 6**
 - 2.1 Power supplies schemes 6
 - 2.1.1 Independent analog peripherals supply 7
 - 2.1.2 USB transceivers supply 8
 - 2.1.3 Battery Backup domain 8
 - 2.1.4 Voltage regulator 9
 - 2.1.5 Dynamic voltage scaling management 10
 - 2.2 Reset and power supply supervisor 11
 - 2.2.1 Power-on reset (POR) / power-down reset (PDR) / Brown-Out reset (BOR) 11
 - 2.2.2 Power reset 12
 - 2.2.3 System reset 12
 - 2.2.4 Backup domain reset 14
- 3 Package 15**
 - 3.1 Pinout compatibility 17
- 4 Clocks 18**
 - 4.1 HSE clock 18
 - 4.1.1 External crystal/ceramic resonator (HSE crystal) 20
 - 4.1.2 External source (HSE bypass) 20
 - 4.2 HSI clock 20
 - 4.3 LSE clock 20
 - 4.3.1 External source (LSE bypass) 21
- 5 Boot configuration 22**
- 6 Debug management 23**
 - 6.1 Introduction 23
 - 6.2 SWJ debug port (JTAG and serial wire) 23
 - 6.3 Pinout and debug port pins 24
 - 6.3.1 SWJ debug port pins 24

6.3.2	Flexible SWJ-DP pin assignment	24
6.3.3	Internal pull-up and pull-down resistors on JTAG pins	25
6.3.4	SWJ debug port connection with standard JTAG connector	26
6.4	Serial wire debug (SWD) pin assignment	26
6.4.1	SWD pin assignment	26
6.4.2	Internal pull-up and pull-down on SWD pins	27
6.4.3	SWD port connection with standard SWD connector	27
7	Recommendations	28
7.1	Printed circuit board	28
7.2	Component position	28
7.3	Ground and power supply (V_{SS} , V_{DD} , V_{SSA} , V_{DDA} , V_{REF})	28
7.4	Decoupling	28
7.5	Other signals	29
7.6	Unused I/Os and features	29
8	Reference design	30
8.1	Description	30
8.1.1	Clock	30
8.1.2	Reset	30
8.1.3	Boot mode	30
8.1.4	SWD interface	30
8.1.5	Power supply	30
8.2	Component references	31
9	Revision history	34

List of tables

Table 1.	Package summary for STM32G4 Series	15
Table 2.	Package summary per line	15
Table 3.	Pinout summary	17
Table 4.	HSE/ LSE clock sources	19
Table 5.	Boot modes	22
Table 6.	Debug port pin assignment	24
Table 7.	SWJ I/O pin availability	24
Table 8.	SWD port pins	26
Table 9.	Mandatory components	31
Table 10.	Optional components	31
Table 11.	Reference connection for all packages	32
Table 12.	Document revision history	34

List of figures

Figure 1.	STM32G4 Series power supply overview	7
Figure 2.	Brown-out reset waveform	12
Figure 3.	Simplified diagram of the reset circuit	13
Figure 4.	Host-to-board connection	23
Figure 5.	JTAG connector implementation	26
Figure 6.	SWD port connection	27
Figure 7.	Typical layout for V_{DD}/V_{SS} pair	29
Figure 8.	Reference design STM32G4 Series	32

1 General information

This document applies to STM32G4 Series Arm[®] cores^(a)-based devices.



2 Power supplies

2.1 Power supplies schemes

The STM32G4 Series devices require a 1.71 V to 3.6 V operating supply voltage (V_{DD}). Analog peripherals are supplied through independent power domain V_{DDA} .

- $V_{DD} = 1.71 \text{ V to } 3.6 \text{ V}$
 V_{DD} is the external power supply for the I/Os, the internal regulator and the system analog such as reset, power management and internal clocks. It is provided externally through VDD pins.
- $V_{DDA} = 1.62 \text{ V (ADC/COMP) / } 1.71 \text{ V (DAC 1MSPS/DAC 15MSPS/2 V(OPAMP)/ } 2.4 \text{ V (VREFBUF)}$
 V_{DDA} is the external analog power supply for A/D converters, D/A converters, voltage reference buffer, operational amplifiers and comparators. The V_{DDA} voltage level is independent from the V_{DD} voltage. V_{DDA} should be preferably connected to V_{DD} when these peripherals are not used.
- $V_{BAT} = 1.55 \text{ V to } 3.6 \text{ V}$
 V_{BAT} is the power supply for RTC, external clock 32 kHz oscillator and backup registers (through power switch) when V_{DD} is not present. VBAT is internally bonded to VDD for small packages without dedicated pin.
- V_{REF-}, V_{REF+}
 V_{REF+} is the input reference voltage for ADCs and DACs. It is also the output of the internal voltage reference buffer when enabled.
 When $V_{DDA} < 2 \text{ V}$, V_{REF+} must be equal to V_{DDA} .
 When $V_{DDA} \geq 2 \text{ V}$, V_{REF+} must be between 2 V and V_{DDA} .
 V_{REF+} can be grounded when ADC and DAC are not active.
 The internal voltage reference buffer supports three output voltages, which are configured with VRS bit in the VREFBUF_CSR register:
 - V_{REF+} around 2.048 V. This requires V_{DDA} equal to or higher than 2.4 V.
 - V_{REF+} around 2.5 V. This requires V_{DDA} equal to or higher than 2.8 V.
 - V_{REF+} around 2.9 V. This requires V_{DDA} equal to or higher than 3.15 V.

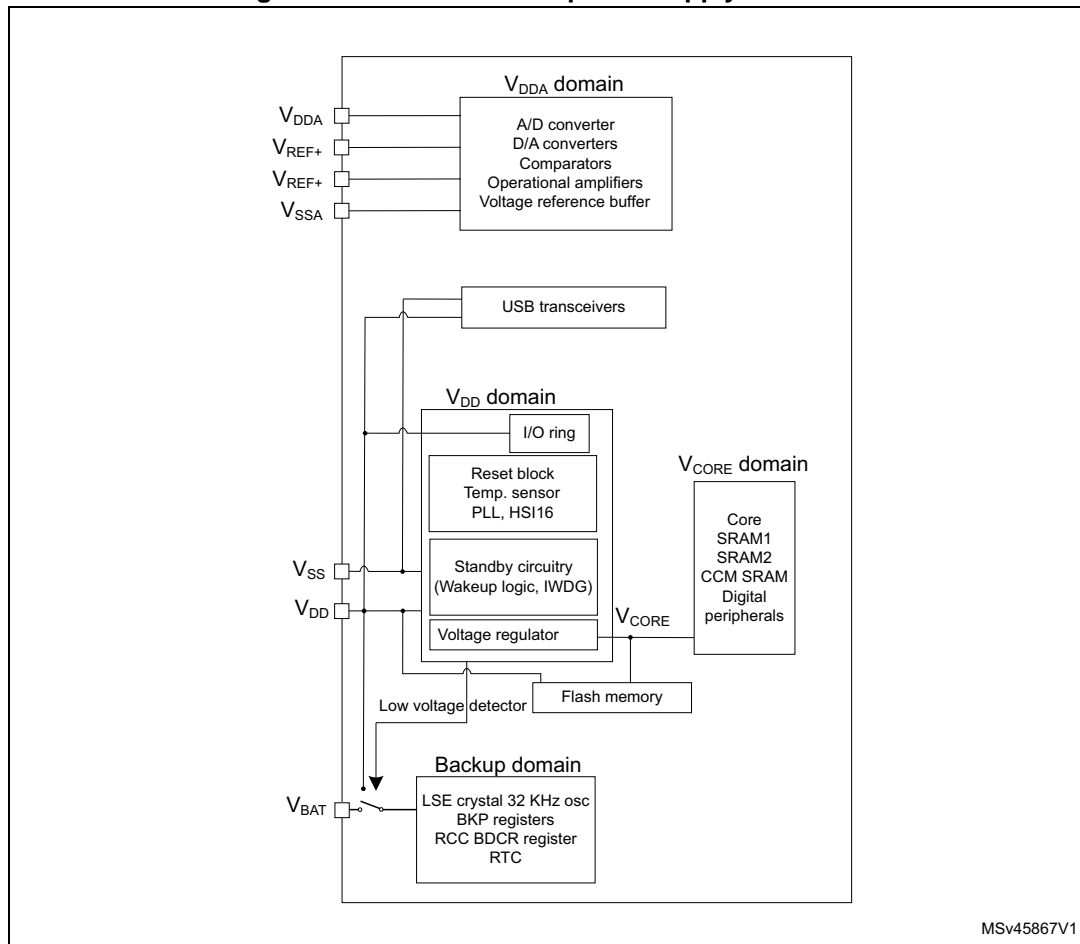
a. Arm is a registered trademark of Arm Limited (or its subsidiaries) in the US and/or elsewhere.

- VREF+ pin is not available on 32-pin packages. In this case, it is bonded to V_{DDA} and the internal voltage reference buffer (VREFBUF) is not available and must be kept disabled.

V_{REF-} is internally double bonded with V_{SSA} .

An embedded linear voltage regulator is used to supply the internal digital power V_{CORE} . V_{CORE} is the power supply for digital peripherals SRAM1, SRAM2 and CCM SRAM. The Flash is supplied by V_{CORE} and V_{DD} .

Figure 1. STM32G4 Series power supply overview



2.1.1 Independent analog peripherals supply

To improve ADC and DAC conversion accuracy and to extend the supply flexibility, the analog peripherals have an independent power supply which can be separately filtered and shielded from noise on the PCB.

- The analog peripherals voltage supply input is available on a separate V_{DDA} pin.
- An isolated supply ground connection is provided on V_{SSA} pin.

The V_{DDA} supply voltage can be different from V_{DD} . The presence of V_{DDA} must be checked before enabling any of the analog peripherals supplied by V_{DDA} (A/D converter, D/A converter, comparators, operational amplifiers, voltage reference buffer).

The V_{DDA} supply can be monitored by the Peripheral Voltage Monitoring, and compared with thresholds.

When a single supply is used, V_{DDA} can be externally connected to V_{DD} through the external filtering circuit in order to ensure a noise-free V_{DDA} reference voltage.

ADC and DAC reference voltage

To ensure a better accuracy on low-voltage inputs and outputs, the user can connect to V_{REF+} a separate reference voltage lower than V_{DDA} . V_{REF+} is the highest voltage, represented by the full scale value, for an analog input (ADC) or output (DAC) signal.

V_{REF+} can be provided either by an external reference or by an internal buffered voltage reference (VREFBUF).

The internal voltage reference is enabled by setting the ENVR bit in the VREFBUF control and status register (VREFBUF_CSR). The voltage reference is set to 2.048 V, 2.5 V or 2.9 V according to the VRS[1:0] bits setting. The internal voltage reference can also provide the voltage to external components through V_{REF+} pin. Refer to the device datasheet for further information.

2.1.2 USB transceivers supply

The USB transceivers are supplied from V_{DD} power supply pin. V_{DD} range for USB usage is from 3.0 V to 3.6 V.

2.1.3 Battery Backup domain

To retain the content of the Backup registers and supply the RTC function when V_{DD} is turned off, the VBAT pin can be connected to an optional backup voltage supplied by a battery or by another source.

The VBAT pin powers the RTC unit, the LSE oscillator and the PC13 to PC15 I/Os, allowing the RTC to operate even when the main power supply is turned off. The switch to the V_{BAT} supply is controlled by the power-down reset embedded in the Reset block.

Warning: During $t_{RSTTEMPO}$ (temporization at V_{DD} startup) or after a PDR has been detected, the power switch between V_{BAT} and V_{DD} remains connected to V_{BAT} .
During the startup phase, if V_{DD} is established in less than $t_{RSTTEMPO}$ (refer to the datasheet for the value of $t_{RSTTEMPO}$) and $V_{DD} > V_{BAT} + 0.6$ V, a current may be injected into V_{BAT} through an internal diode connected between V_{DD} and the power switch (V_{BAT}).
If the power supply/battery connected to the VBAT pin cannot support this current injection, it is strongly recommended to connect an external low-drop diode between this power supply and the VBAT pin.

If no external battery is used in the application, it is recommended to connect V_{BAT} externally to V_{DD} with a 100 nF external ceramic decoupling capacitor.

When the Backup domain is supplied by V_{DD} (analog switch connected to V_{DD}), the following pins are available:

- PC13, PC14 and PC15, which can be used as GPIO pins
- PC13, PC14 and PC15, which can be configured by RTC or LSE
- PA0/RTC_TAMP2 and PE6/RTC_TAMP3 when they are configured by the RTC as tamper pins

Note: Due to the fact that the analog switch can transfer only a limited amount of current (3 mA), the use of GPIO PC13 to PC15 in output mode is restricted: the speed has to be limited to 2 MHz with a maximum load of 30 pF and these I/Os must not be used as a current source (e.g. to drive a LED).

When the Backup domain is supplied by V_{BAT} (analog switch connected to V_{BAT} because V_{DD} is not present), the following functions are available:

- PC13, PC14 and PC15 can be controlled only by RTC or LSE (refer to reference manual section: RTC functional description)
- PA0/RTC_TAMP2 and PE6/RTC_TAMP3 when they are configured by the RTC as tamper pins

Backup domain access

After a system reset, the Backup domain (RTC registers and backup registers) is protected against possible unwanted write accesses. To enable access to the Backup domain, proceed as follows:

1. Enable the power interface clock by setting the PWREN bits in the APB1 peripheral clock enable register 1 (RCC_APB1ENR1).
2. Set the DBP bit in the Power control register 1 (PWR_CR1) to enable access to the Backup domain
3. Select the RTC clock source in the Backup domain control register (RCC_BDCR).
4. Enable the RTC clock by setting the RTCEN [15] bit in the Backup domain control register (RCC_BDCR).

VBAT battery charging

When VDD is present, It is possible to charge the external battery on VBAT through an internal resistance.

The VBAT charging is done either through a 5 kOhm resistor or through a 1.5 kOhm resistor depending on the VBRS bit value in the PWR_CR4 register.

The battery charging is enabled by setting VBE bit in the PWR_CR4 register. It is automatically disabled in VBAT mode.

2.1.4 Voltage regulator

Two embedded linear voltage regulators supply all the digital circuitries, except for the Standby circuitry and the Backup domain. The main regulator output voltage (V_{CORE}) can be programmed by software to two different power ranges (Range 1 and Range 2) in order to optimize the consumption depending on the system's maximum operating frequency (refer to reference manual Section: Clock source frequency versus voltage scaling and to Section: Read access latency).

The voltage regulators are always enabled after a reset. Depending on the application modes, the V_{CORE} supply is provided either by the main regulator (MR) or by the low-power regulator (LPR).

- In Run, Sleep and Stop 0 modes, both regulators are enabled and the main regulator (MR) supplies full power to the V_{CORE} domain (core, memories and digital peripherals).
- In low-power run and low-power sleep modes, the main regulator is off and the low-power regulator (LPR) supplies low power to the V_{CORE} domain, preserving the contents of the registers, SRAM1, SRAM2 and CCM SRAM.
- In Stop 1 modes, the main regulator is off and the low-power regulator (LPR) supplies low power to the V_{CORE} domain, preserving the contents of the registers, SRAM2 and CCM SRAM.
- In Standby mode with SRAM2 content preserved (RRS bit is set in the PWR_CR3 register), the main regulator (MR) is off and the low-power regulator (LPR) provides the supply to SRAM2 only. The core, digital peripherals (except Standby circuitry and Backup domain) SRAM1 and CCM SRAM are powered off.
- In Standby mode, both regulators are powered off. The contents of the registers, SRAM1, SRAM2 and CCM SRAM is lost except for the Standby circuitry and the Backup domain.
- In Shutdown mode, both regulators are powered off. When exiting from Shutdown mode, a power-on reset is generated. Consequently, the contents of the registers, SRAM1, SRAM2 and CCM SRAM is lost, except for the Backup domain.

2.1.5 Dynamic voltage scaling management

The dynamic voltage scaling is a power management technique which consists in increasing or decreasing the voltage used for the digital peripherals (V_{CORE}), according to the application performance and power consumption needs.

Dynamic voltage scaling to increase V_{CORE} is known as overvolting. It is used to improve the device performance.

Dynamic voltage scaling to decrease V_{CORE} is known as undervolting. It is performed to save power, particularly in laptop and other mobile devices where the energy comes from a battery and is thus limited.

- Range 1: High-performance range.

The main regulator operates in two mode following the R1MODE bit in the PWR_CR5 register:

- Main regulator Range 1 boost mode: the main regulator provides a typical output voltage at 1.28V. It is used when the system clock frequency is greater than 150MHz.
- Main regulator Range 1 normal mode: the main regulator provides a typical output at 1.2V. It is used when the system clock frequency is up to 150MHz.

- Range 2: Low-power range.

The main regulator provides a typical output voltage at 1.0 V. The system clock frequency can be up to 26 MHz. The Flash access time for a read access is increased as compared to Range 1; write and erase operations are not possible.

Voltage scaling is selected through the VOS bit in the PWR_CR1 power control register.

The sequence to go from Range 1 to Range 2 is:

1. The system clock must be divided by 2 using the AHB prescaler before switching to a lower system frequency for at least 1 us and then reconfigure the AHB prescaler.
2. Reduce the system frequency to a value lower than 26 MHz
3. Adjust number of wait states according new frequency target in Range 2 (LATENCY bits in the FLASH_ACR register.
4. Program the VOS[1:0] bits to 10 in the PWR_CR1 register.

The sequence to go from Range 2 to Range 1 is:

1. Program the VOS[1:0] bits to 01 in the PWR_CR1 register.
2. Wait until the VOSF flag is cleared in the Power status register 2 PWR_SR2.
3. Adjust number of wait states according new frequency target in Range 1 (LATENCY bits in the Flash access control register FLASH_ACR register.
4. Increase the system frequency by following procedure:
 - If the system frequency is $26 \text{ MHz} < \text{SYSCLK} \leq 150 \text{ MHz}$, select the Range 1 mode and just configure and switch to PLL for a new system frequency, the R1MODE bit must be set in the PWR_CR5 register for Range1 normal mode selection.
 - The system clock must be divided by 2 using the AHB prescaler before switching to a higher system frequency.
 - Set the R1MODE bit in the PWR_CR5 register.
 - Configure and switch to PLL for a new system frequency.
 - Wait for at least 1 us and then reconfigure the AHB prescaler to get the needed HCLK clock frequency.
 - If the system frequency is $\text{SYSCLK} > 150 \text{ MHz}$, select the Range 1 boost mode:
 - The system clock must be divided by 2 using the AHB prescaler before switching to a higher system frequency.
 - Clear the R1MODE bit in the PWR_CR5 register.
 - Configure and switch to PLL for a new system frequency.
 - Wait for at least 1 us and then reconfigure the AHB prescaler to get the needed HCLK clock frequency.

2.2 Reset and power supply supervisor

2.2.1 Power-on reset (POR) / power-down reset (PDR) / Brown-Out reset (BOR)

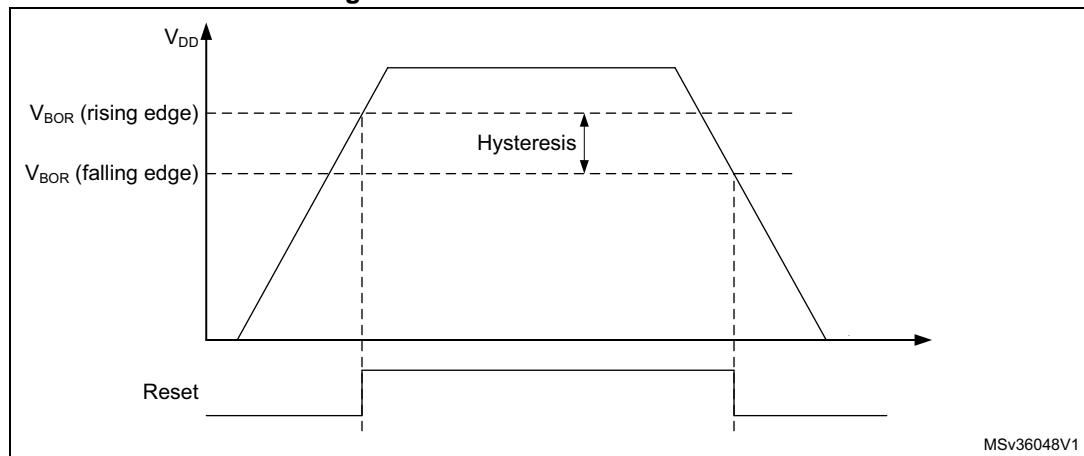
The device has an integrated power-on reset (POR) / power-down reset (PDR), coupled with a Brown-Out reset (BOR) circuitry. The BOR is active in all power modes except Shutdown mode, and cannot be disabled.

Five BOR thresholds can be selected through option bytes.

During power-on, the BOR keeps the device under reset until the supply voltage V_{DD} reaches the specified V_{BORx} threshold. When V_{DD} drops below the selected threshold, a device reset is generated. When V_{DD} is above the V_{BORx} upper limit, the device reset is released and the system can start.

For more details on the Brown-Out reset thresholds, refer to the electrical characteristics section in the datasheet.

Figure 2. Brown-out reset waveform



2.2.2 Power reset

A power reset is generated when one of the following events occurs:

1. a Brown-Out reset (BOR).
2. when exiting from Standby or Shutdown mode.

A Brown-Out reset, including power-on or power-down reset (POR/PDR), sets all registers to their reset values except the Backup domain.

When exiting Standby or Shutdown mode, all registers in the V_{CORE} domain are set to their reset value. Registers outside the V_{CORE} domain (RTC, WKUP, IWDG, and Standby/Shutdown modes control) are not impacted.

2.2.3 System reset

A system reset sets all registers to their reset values except the reset flags in the clock control/status register (RCC_CSR) and the registers in the Backup domain.

A system reset is generated when one of the following events occurs:

- A low level on the NRST pin (external reset)
- Window watchdog event (WWDG reset)
- Independent watchdog event (IWDG reset)
- A firewall event (FIREWALL reset)
- A software reset (SW reset)
- Low-power management reset
- Option byte loader reset
- A Brown-out reset

The reset source can be identified by checking the reset flags in the Control/Status register, RCC_CSR.

These sources act on the NRST pin and it is always kept low during the delay phase. The RESET service routine vector is fixed at address 0x0000_0004 in the memory map.

The system reset signal provided to the device is output on the NRST pin. The pulse generator guarantees a minimum reset pulse duration of 20 μs for each internal reset source. In case of an external reset, the reset pulse is generated while the NRST pin is asserted low.

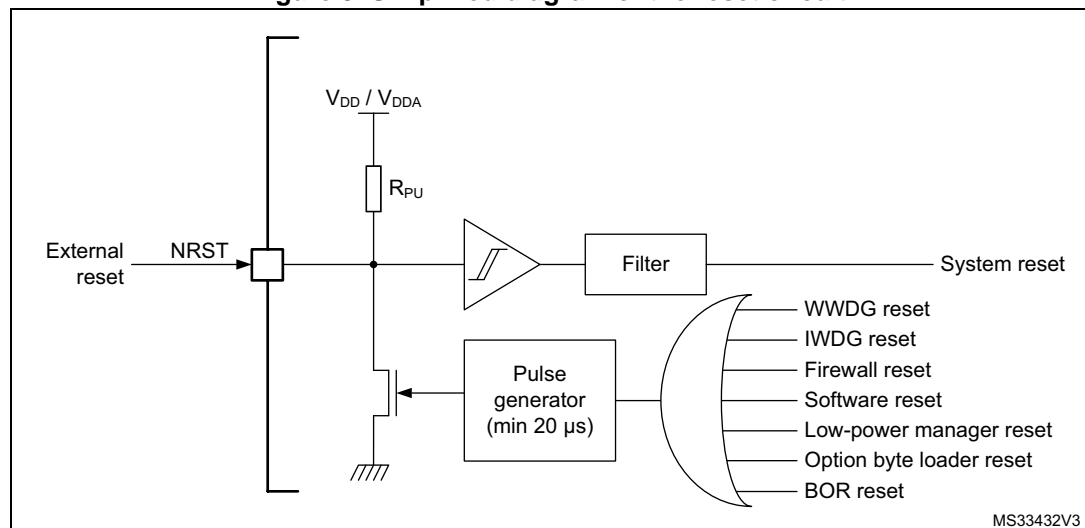
In case on an internal reset, the internal pull-up R_{PU} is deactivated in order to save the power consumption through the pull-up resistor.

NRST pin (external reset)

Through specific option bits, the NRST pin is configurable for operating as:

- Reset input/output (default at device delivery)
Any valid reset signal on the pin is propagated to device internal logic and all internal reset sources are externally driven through a pulse generator to this pin. The GPIO functionality (PG10) is not available. The pulse generator guarantees a minimum reset pulse duration of 20 μs for each internal reset source to be output on the NRST pin. An internal reset holder option can be used, if enabled in the option bytes, to ensure that the pin is pulled low until its voltage meets VIL threshold. This function guarantee the detection of internal reset sources by external components when the line faces a significant capacitive load. In case on an internal reset, the internal pull-up RPU is deactivated in order to save the power consumption through the pull-up resistor.
- Reset input
In this mode, any valid reset signal on the NRST pin is propagated to device internal logic, but resets generated internally by the device are not visible on the pin. In this configuration, GPIO functionality (PG10) is not available.
- GPIO
In this mode, the pin can be used as PG10 standard GPIO. The reset function of the pin is not available. Reset is only possible from device internal reset sources and it is not propagated to the pin.

Figure 3. Simplified diagram of the reset circuit



Software reset

The SYSRESETREQ bit in Cortex[®]-M4 Application Interrupt and Reset Control Register must be set to force a software reset on the device (as described in *STM32F3*, *STM32F4* and *STM32L4 Series Cortex[®]-M4 programming manual* (PM0214)).

Low-power mode security reset

To prevent that critical applications mistakenly enter a low-power mode, two low-power mode security resets are available. If enabled in option bytes, the resets are generated in the following conditions:

1. Entering Standby mode: this type of reset is enabled by resetting nRST_STDBY bit in User option Bytes. In this case, whenever a Standby mode entry sequence is successfully executed, the device is reset instead of entering Standby mode.
2. Entering Stop mode: this type of reset is enabled by resetting nRST_STOP bit in User option bytes. In this case, whenever a Stop mode entry sequence is successfully executed, the device is reset instead of entering Stop mode.
3. Entering Shutdown mode: this type of reset is enabled by resetting nRST_SHDW bit in User option bytes. In this case, whenever a Shutdown mode entry sequence is successfully executed, the device is reset instead of entering Shutdown mode.

For further information on the User Option Bytes, refer to reference manual *section: Option bytes description*.

Option byte loader reset

The option byte loader reset is generated when the OBL_LAUNCH bit (bit 27) is set in the FLASH_CR register. This bit is used to launch the option byte loading by software.

Charging/discharging the pull-down capacitor through the internal resistor adds to the device power consumption. The recommended value of 100 nF for the capacitor can be reduced to 10 nF to limit power consumption.

2.2.4 Backup domain reset

The Backup domain has two specific resets.

A Backup domain reset is generated when one of the following events occurs:

1. Software reset, triggered by setting the BDRST bit in the Backup domain control register (RCC_BDCR).
2. V_{DD} or V_{BAT} power on, if both supplies have previously been powered off.

A Backup domain reset only affects the LSE oscillator, the RTC, the Backup registers and the RCC Backup domain control register.

3 Package

Package should be selected by taking into account the constraints that are strongly dependent upon the application.

The list below summarizes the most frequent ones:

- Amount of interfaces required. Some interfaces might not be available on some packages. Some interfaces combinations might not be possible on some packages.
- PCB technology constrains. Small pitch and high ball density could require more PCB layers and higher class PCB.
- Package height.
- PCB available area .
- Noise emission or signal integrity of high speed interfaces.
Smaller packages usually provide better signal integrity. This is further enhanced as Small pitch and high ball density requires multilayer PCBs which allow better supply/ground distribution.
- Compatibility with other devices.

Table 1. Package summary for STM32G4 Series

Package type	QFPN32	LQFP32	QFPN48	LQFP48	WLCSP49	LQFP64	UFBGA64	LQFP80	WLCSP81	TFBGA100	LQFP100	LQFP128
Size (mm) ⁽¹⁾	5x5	7x7	7x7	7x7	3.89x3.74	10x10	5x5	12x12	3.693x3.815	8x8	14x14	14x14
Pitch (mm)	0.5	0.5	0.5	0.5	0.4	0.5	0.5	0.5	0.4	0.8	0.5	0.5
Height (mm) ⁽²⁾	0.6	1.6	0.6	1.6	0.59	1.6	0.6	1.6	0.59	1.1	1.6	1.6

1. Body size, excluding pins for LQFP.

2. Maximum value.

Table 2. Package summary per line

Package type	STM32G474	STM32G431
QFPN32/LQFP32	NA	YES
LQFP48	YES	YES
WLCSP49	NA	YES
LQFP64	YES	YES
UFBGA64	NA	YES
WLCSP81	YES	NA

Table 2. Package summary per line (continued)

Package type	STM32G474	STM32G431
LQFP80	YES	YES
LQFP100	YES	YES
TFBGA100	YES	NA
LQFP128	YES	NA

3.1 Pinout compatibility

Table 3 below allows to select the right package depending on required signals.

Table 3. Pinout summary

Pin name	Packages and pin number											
	QFPN		LQFP						UFBGA	TFBGA	WLCSP	
	32	48	32	48	64	80	100	128	64	100	49	81
Specific pins												
PC14/OSC32_IN	-	x	-	x	x	x	x	x	x	x	x	x
PC15/OSC32_OUT	-	x	-	x	x	x	x	x	x	x	x	x
PF0/OSC_IN	x	x	x	x	x	x	x	x	x	x	x	x
PF1/OSC_OUT	x	x	x	x	x	x	x	x	x	x	x	x
System related pins												
PB8/BOOT0	x	x	x	x	x	x	x	x	x	x	x	x
PG10/NRST	x	x	x	x	x	x	x	x	x	x	x	x
Supply pins												
VBAT	-	x	-	x	x	x	x	x	x	x	x	x
V _{REF+}	-	x	-	x	x	x	x	x ⁽¹⁾	x	x	x	x
V _{DDA}	x	x	x	x	x	x	x	x	x	x	x	x
V _{SSA}	x	x ⁽²⁾	x	x	x	x	x	x	x	x	x	x
Number of V _{DD}	2	(1)	2	3	4	5	5	7	3	5	2	5
Number of V _{SS}	2	(1)	2	3	4	5	5	7	3	5	2	5

1. In the QFN48, the V_{SSA} and V_{SSs} are connected to the exposed pad.

2. There are two VREF+ pins in the LQFP128 package.

4 Clocks

Three different clock sources can be used to drive the system clock (SYSCLK):

- HSI16 (high speed internal) 16 MHz RC oscillator clock
- HSE oscillator clock, from 4 to 48 MHz
- PLL clock

The HSI is used as system clock source after startup from Reset.

The devices have the following additional clock sources:

- 32 KHz low speed internal RC (LSI RC) which drives the independent watchdog and optionally the RTC used for Auto-wakeup from Stop and Standby modes.
- 32.768 KHz low speed external crystal (LSE crystal) which optionally drives the real-time clock (RTCCLK)
- RC 48 MHz internal clock sources (HSI48) to potentially drive the USB FS, the SDMMC and the RNG.

Each clock source can be switched on or off independently when it is not used, to optimize power consumption

Several prescaler can be used to configure the AHB frequency, the AHB1, the APB1 and APB2 domains. The maximum frequency of the AHB, the APB1 and the APB2 domains is 170 MHz.

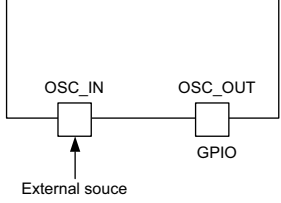
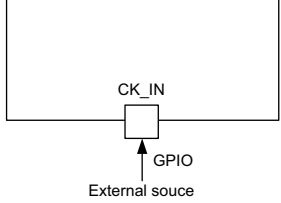
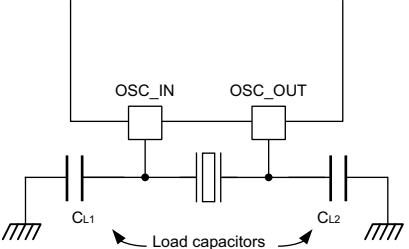
4.1 HSE clock

The high speed external clock signal (HSE) can be generated from two possible clock sources:

- HSE external crystal/ceramic resonator
- HSE user external clock

The resonator and the load capacitors have to be placed as close as possible to the oscillator pins in order to minimize output distortion and startup stabilization time. The loading capacitance values must be adjusted according to the selected oscillator.

Table 4. HSE/ LSE clock sources

Clock source	Hardware configuration
External clock	 <p style="text-align: right;">MSv46306V1</p>
External clock (available on some package, please refer to the corresponding datasheet)	 <p style="text-align: right;">MSv46307V1</p>
Crystal/Ceramic resonators	 <p style="text-align: right;">MSv46308V1</p>

- The value of R_{EXT} depends on the crystal characteristics. A typical value is in the range of 5 to 6 R_S (resonator series resistance). To fine tune the R_{EXT} value, refer to AN2867 (Oscillator design guide for ST microcontrollers)
- Load capacitance, C_L , has the following formula: $C_L = C_{L1} \times C_{L2} / (C_{L1} + C_{L2}) + C_{stray}$ where: C_{stray} is the pin capacitance and board or trace PCB-related capacitance. Typically, it is between 2 pF and 7 pF. Please refer to [Section 7.4: Decoupling](#) to minimize its value.

4.1.1 External crystal/ceramic resonator (HSE crystal)

The 4- to 48-MHz external oscillator has the advantage of producing a very accurate rate on the main clock.

The associated hardware configuration is shown in [Figure 4](#). Refer to the electrical characteristics section of the *datasheet* for more details.

The HSERDY flag in the Clock control register (RCC_CR) indicates if the HSE oscillator is stable or not. At startup, the clock is not released until this bit is set by hardware. An interrupt can be generated if enabled in the Clock interrupt enable register (RCC_CIER).

The HSE Crystal can be switched on and off using the HSEON bit in the Clock control register (RCC_CR).

4.1.2 External source (HSE bypass)

In this mode, an external clock source must be provided. It can have a frequency of up to 48 MHz. The user selects this mode by setting the HSEBYP and HSEON bits in the Clock control register (RCC_CR). The external clock signal (square, sinus or triangle) with ~40-60 % duty cycle depending on the frequency (refer to the *datasheet*) has to drive the following pin (see [Figure 4](#)).

- On devices where OSC_IN and OSC_OUT pins are available: OSC_IN pin must be driven while the OSC_OUT pin can be used as a GPIO.
- Otherwise, the CK_IN pin must be driven.

Note: For details on pin availability, refers to the pinout section in the corresponding device *datasheet*.

To minimize the consumption, it is recommended to use the square signal.

4.2 HSI clock

The HSI16 clock signal is generated from an internal 16 MHz RC Oscillator. The HSI16 RC oscillator has the advantage of providing a clock source at low cost (no external components). It also has a faster startup time than the HSE crystal oscillator however, even with calibration the frequency is less accurate than an external crystal oscillator or ceramic resonator.

The HSI16 clock can be selected as system clock after wakeup from Stop modes (Stop 0 or Stop 1), and can also be used as a backup source (Auxiliary clock) if the HSI crystal oscillator fails. Refer to reference manual section: Clock security system (CSS).

4.3 LSE clock

The LSE crystal is a 32.768 kHz Low Speed External crystal or ceramic resonator. It has the advantage of providing a low-power but highly accurate clock source to the real-time clock peripheral (RTC) for clock/calendar or other timing functions.

The LSE crystal is switched on and off using the LSEON bit in Backup domain control register (RCC_BDCR). The crystal oscillator driving strength can be changed at runtime using the LSEDRV[1:0] bits in the Backup domain control register (RCC_BDCR) to obtain the best compromise between robustness and short start-up time on one side and low-power-consumption on the other side. The LSE drive can be decreased to the lower drive

capability (LSEDRV=00) when the LSE is ON. However, once LSEDRV is selected, the drive capability can not be increased if LSEON=1.

The LSERDY flag in the AHB1 peripheral clocks enable in Sleep and Stop modes register (RCC_AHB1SMENR) indicates whether the LSE crystal is stable or not. At startup, the LSE crystal output clock signal is not released until this bit is set by hardware. An interrupt can be generated if enabled in the Clock interrupt enable register (RCC_CIER).

4.3.1 External source (LSE bypass)

In this mode, an external clock source must be provided. It can have a frequency of up to 1 MHz. The user selects this mode by setting the LSEBYP and LSEON bits in the AHB1 peripheral clocks enable in Sleep and Stop modes register (RCC_AHB1SMENR). The external clock signal (square, sinus or triangle) with ~50 % duty cycle has to drive the OSC32_IN pin while the OSC32_OUT pin can be used as GPIO. See [Figure 4](#).

5 Boot configuration

In STM32G4 Series devices, three different boot modes can be selected through the BOOT0 pin or the nBOOT0 bit into the FLASH_OPTR register (if the nSWBOOT0 bit is cleared into the FLASH_OPTR register), and nBOOT1 bit in FLASH_OPTR register, as shown in the following table.

Table 5. Boot modes

UBE	nBOOT1 FLASH_OPTR[23]	nBOOT0 FLASH_OPTR[27]	BOOT0 pin PB8	nSWBOOT0 FLASH_OPTR[26]	Boot Memory Space Alias
1	X	X	X	X	Main Flash memory
0	X	X	0	1	Main Flash memory is selected as boot area
0	X	1	X	0	Main Flash memory is selected as boot area
0	0	X	1	1	Embedded SRAM1 is selected as boot area
0	0	0	X	0	Embedded SRAM1 is selected as boot area
0	1	X	1	1	System memory is selected as boot area
0	1	0	X	0	System memory is selected as boot area

6 Debug management

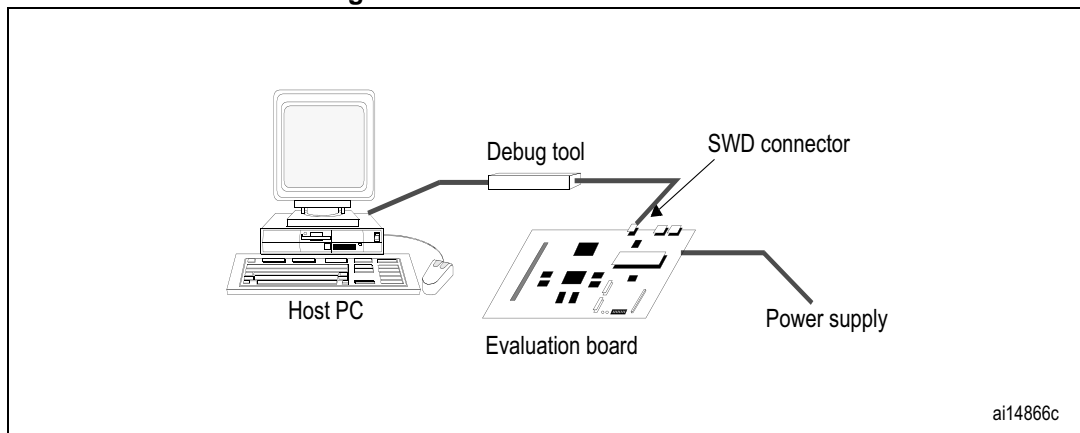
6.1 Introduction

In the SWJ-DP, the two JTAG pins of the SW-DP are multiplexed with some of the five JTAG pins of the JTAG-DP.

The host/target interface is the hardware equipment that connects the host to the application board. This interface is made of three components: a hardware debug tool, a SW connector and a cable connecting the host to the debug tool.

Figure 4 shows the connection of the host to a development board.

Figure 4. Host-to-board connection



The Nucleo demonstration board embeds the debug tools (ST-LINK) so it can be directly connected to the PC through an USB cable. The ST-LINK requires by default to have an enumeration with a host that is able to supply 100 mA to power the STM32G4 Series MCU, hence user shall use jumper JP1 on the Nucleo board which can be set in case maximum current consumption on U5V does not exceed 100 mA.

6.2 SWJ debug port (JTAG and serial wire)

The STM32G4 Series core integrates the serial wire / JTAG debug port (SWJ-DP). It is an Arm® standard CoreSight™ debug port that combines a JTAG-DP (5-pin) interface and a SW-DP (2-pin) interface.

- The JTAG debug port (JTAG-DP) provides a 5-pin standard JTAG interface to the AHP-AP port
- The serial wire debug port (SW-DP) provides a 2-pin (clock + data) interface to the AHP-AP port

6.3 Pinout and debug port pins

The STM32G4 Series MCU is offered in various packages with different numbers of available pins. As a result, some functionality related to the pin availability may differ from one package to another.

6.3.1 SWJ debug port pins

Five pins are used as outputs for the SWJ-DP as *alternate functions* of general-purpose I/Os (GPIOs). These pins, shown in [Table 6](#), are available on all packages.

Table 6. Debug port pin assignment

SWJ-DP pin name	JTAG debug port		SW debug port		Pin assignment
	Type	Description	Type	Debug assignment	
JTMS/SWDIO	I	JTAG test mode selection	I/O	Serial wire data input/output	PA13
JTCK/SWCLK	I	JTAG test clock	I	Serial wire clock	PA14
JTDI	I	JTAG test data input	-	-	PA15
JTDO/TRACESWO	O	JTAG test data output	-	TRACESWO if async trace is enabled	PB3
JNTRST	I	JTAG test nReset	-	-	PB4

6.3.2 Flexible SWJ-DP pin assignment

After reset (SYSRESETn or PORESETn), all five pins used for the SWJ-DP are assigned as dedicated pins which are immediately usable by the debugger host (note that the trace outputs are not assigned except if explicitly programmed by the debugger host).

However, the STM32G4 Series MCU implements a register to disable all or part of the SWJ-DP port, and so releases the associated pins for general-purpose I/O usage. This register is mapped on an APB bridge connected to the Cortex®-M4 system bus. It is programmed by the user software program and not by the debugger host.

[Table 7](#) shows the different possibilities for releasing some pins. For more details, see the related *STM32G4 Series advanced Arm®-based 32-bit MCUs (RM0440)* reference manual.

Table 7. SWJ I/O pin availability

Available debug ports	SWJ I/O pin assigned				
	PA13 / JTMS / SWDIO	PA14 / JTCK / SWCLK	PA15 / JTDI	PB3 / JTDO	PB4 / JNTRST
Full SWJ (JTAG-DP + SW-DP) - reset state	X	X	X	X	X
Full SWJ (JTAG-DP + SW-DP) but without JNTRST	X	X	X	X	
JTAG-DP disabled and SW-DP enabled	X	X			
JTAG-DP disabled and SW-DP disabled	Released				

6.3.3 Internal pull-up and pull-down resistors on JTAG pins

The JTAG input pins must *not* be floating since they are directly connected to flip-flops which control the debug mode features. Special care must be taken with the SWCLK/TCK pin that is directly connected to the clock of some of these flip-flops.

To avoid any uncontrolled I/O levels, the STM32G4 Series embeds internal pull-up and pull-down resistors on the JTAG input pins:

- JNTRST: internal pull-up
- JTDI: internal pull-up
- JTMS/SWDIO: internal pull-up
- TCK/SWCLK: internal pull-down

Once a JTAG I/O is released by the user software, the GPIO controller takes control again. The reset states of the GPIO control registers put the I/Os in the following equivalent states:

- JNTRST: input pull-up
- JTDI: input pull-up
- JTMS/SWDIO: input pull-up
- JTCK/SWCLK: input pull-down
- JTDO: input floating

The software can then use these I/Os as standard GPIOs.

Note: The JTAG IEEE standard recommends to add pull-up resistors on TDI, TMS and nTRST but, there is no special recommendation for TCK. However, for the STM32G4 Series, an integrated pull-down resistor is used for JTCK.

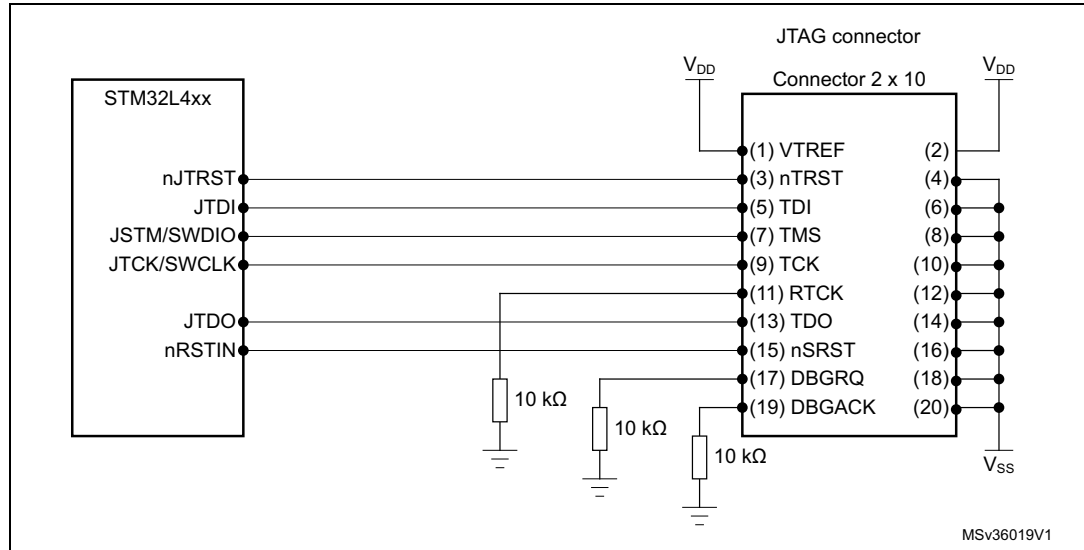
Having embedded pull-up and pull-down resistors removes the need to add external resistors.

The NJTRST (PB4) pin has also UCPD_CC2 functionality which implements internal UCPD pull-down resistor (5.1 K Ω), controlled by voltage on UCPD_DBCC2 pin (PA10). To disable the pull-down on NJTRST pin the UCPD_DBCC2 pin must be held at low level voltage (after device startup this pull-down on PB4 can be disabled by setting UCPD1_DBDIS bit in the PWR_CR3 register).

6.3.4 SWJ debug port connection with standard JTAG connector

Figure 5 shows the connection between the STM32G4 Series MCU and a standard JTAG connector.

Figure 5. JTAG connector implementation



6.4 Serial wire debug (SWD) pin assignment

The same SWD pin assignment is available on all STM32G4 Series packages.

Table 8. SWD port pins

SWD pin name	SWD port		Pin assignment
	Type	Debug assignment	
SWDIO	I/O	Serial wire data input/output	PA13
SWCLK	I	Serial wire clock	PA14

6.4.1 SWD pin assignment

After reset (SYSRESETn or PORESETn), the pins used for the SWD are assigned as dedicated pins which are immediately usable by the debugger host.

However, the MCU offers the possibility to disable the SWD, therefore releasing the associated pins for general-purpose I/O (GPIO) usage. For more details on how to disable SWD port, refer to the I/O pin alternate function multiplexer and mapping section of the related STM32L4xx reference manual.

6.4.2 Internal pull-up and pull-down on SWD pins

Once the SWD I/O is released by the user software, the GPIO controller takes control of these pins. The reset states of the GPIO control registers put the I/Os in the equivalent states:

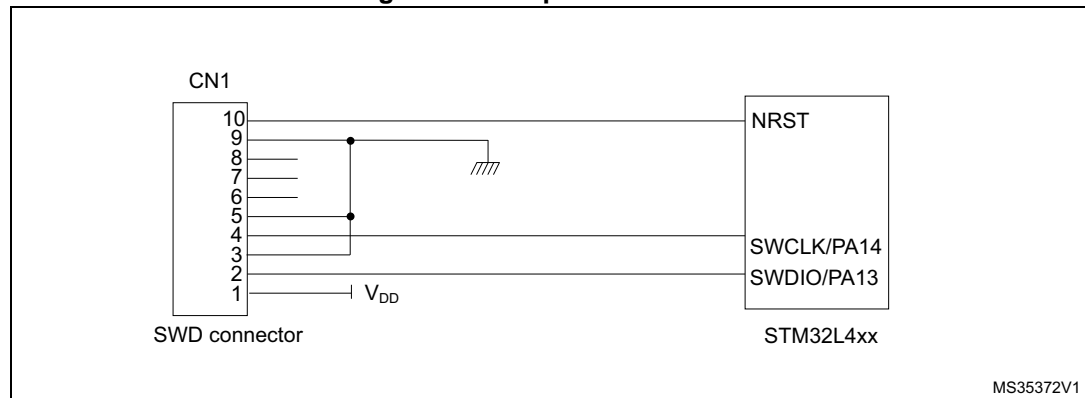
- SWDIO: alternate function pull-up
- SWCLK: alternate function pull-down

Having embedded pull-up and pull-down resistors removes the need to add external resistors.

6.4.3 SWD port connection with standard SWD connector

Figure 6 shows the connection between the STM32G4 Series MCU and a standard SWD connector.

Figure 6. SWD port connection



7 Recommendations

7.1 Printed circuit board

For technical reasons, it is best to use a multilayer printed circuit board (PCB) with a separate layer dedicated to ground (V_{SS}) and another dedicated to the V_{DD} supply. This provides good decoupling and a good shielding effect. For many applications, economical reasons prohibit the use of this type of board. In this case, the major requirement is to ensure a good structure for ground and for the power supply.

7.2 Component position

A preliminary layout of the PCB must make separate circuits:

- High-current circuits
- Low-voltage circuits
- Digital component circuits
- Circuits separated according to their EMI contribution. This reduces cross-coupling on the PCB that introduces noise.

7.3 Ground and power supply (V_{SS} , V_{DD} , V_{SSA} , V_{DDA} , V_{REF})

Every block (noisy, low-level sensitive, digital, etc.) should be grounded individually, and all ground returns should be to a single point. Loops must be avoided or have a minimum area. In order to improve analog performance, the user must use separate supply sources for V_{DD} and V_{DDA} , and place the decoupling capacitors as close as possible to the device.

The power supplies should be implemented close to the ground line to minimize the area of the supplies loop. This is due to the fact that the supply loop acts as an antenna, and acts as the main transmitter and receiver of EMI. All component-free PCB areas must be filled with additional grounding to create a kind of shielding (especially when using single-layer PCBs).

7.4 Decoupling

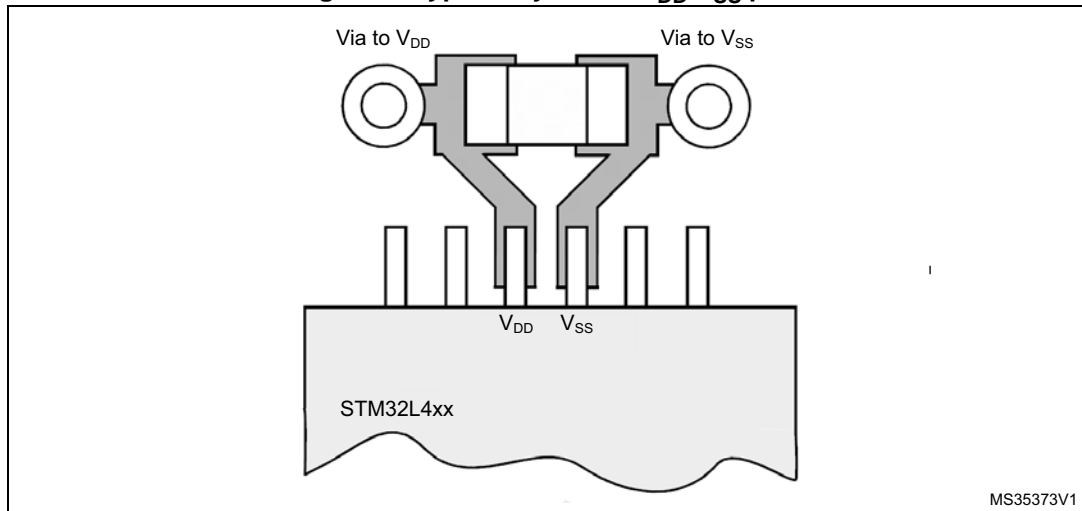
All power supply and ground pins must be properly connected to the power supplies. These connections, including pads, tracks and vias should have as low an impedance as possible. This is typically achieved with thick track widths and, preferably, the use of dedicated power supply planes in multilayer PCBs.

In addition, each power supply pair should be decoupled with filtering ceramic capacitors (100 nF) and a Tantalum or ceramic capacitor of about 10 μ F connected in parallel on the STM32G4 Series device. Some package use a common V_{SS} for several V_{DD} instead of a pair of power supply (one V_{SS} for each V_{DD}), in that case the capacitors must be between each V_{DD} and the common V_{SS} . These capacitors need to be placed as close as possible to, or below, the appropriate pins on the underside of the PCB. Typical values are 10 nF to 100 nF, but exact values depend on the application needs. [Figure 7](#) shows the typical layout of such a V_{DD}/V_{SS} pair.

The analog power supply (V_{DDA}/V_{SSA}) should be decoupled with filtering ceramic capacitor 100 nF and a Tantalum or ceramic capacitor of about 1 μ F. Reference voltage pin (V_{REF})

should be decoupled (regarding to V_{SSA} pin) with filtering 100 nF ceramic capacitor and a Tantalum or ceramic capacitor of about 1 μ F. These capacitor need to be placed as close as possible to, or below, the appropriate pins on the underside of the PCB. *Figure 7* shows the typical layout of analog supply pins and reference pins.

Figure 7. Typical layout for V_{DD}/V_{SS} pair



7.5 Other signals

When designing an application, the EMC performance can be improved by closely studying the following:

- Signals for which a temporary disturbance affects the running process permanently (which is the case for interrupts and handshaking strobe signals but, not the case for LED commands).
For these signals, a surrounding ground trace, shorter lengths, and the absence of noisy and sensitive traces nearby (crosstalk effect) improve EMC performance.
For digital signals, the best possible electrical margin must be reached for the two logical states and slow Schmitt triggers are recommended to eliminate parasitic states.
- Noisy signals (example, clock)
- Sensitive signals (example, high impedance)

7.6 Unused I/Os and features

All microcontrollers are designed for a variety of applications and often a particular application does not use 100% of the MCU resources.

To increase EMC performance and avoid extra power consumption, the unused features of the device should be disabled and disconnected from the clock tree. The unused clock source should be disabled and the unused I/Os should not be left floating. The unused I/O pins should be configured as analog input by software; they should also be connected to a fixed logic level 0 or 1 by an external or internal pull-up or pull-down or configured as output mode using software.

8 Reference design

8.1 Description

The reference design shown in [Figure 8](#), is based on the STM32G4 Series LQFP128.

This reference design can be tailored to any STM32G4 Series device with a different package, using the pin correspondence given in [Table 11: Reference connection for all packages](#).

8.1.1 Clock

Two clock sources are used for the microcontroller:

- LSE: X2– 32.768 kHz crystal for the embedded RTC
- HSE: X1– 24 MHz crystal for the STM32G4 Series microcontroller

Refer to [Section 4: Clocks](#).

8.1.2 Reset

The reset signal in [Figure 8](#) is active low. The reset sources include:

- Reset button (B1)
- Debugging tools via the connector CN1

Refer to [Section 2.2: Reset and power supply supervisor](#).

8.1.3 Boot mode

The boot option is configured by setting switches SW1 (Boot 0). Refer to [Section 5: Boot configuration](#).

Note: When waking up from Standby mode, the Boot pin is sampled. In this situation, the user needs to pay attention to its value.

8.1.4 SWD interface

The shows the connection between the STM32G4 Series MCU and a standard SWD connector. Refer to [Section 6: Debug management](#).

Note: It is recommended to connect the reset pins so as to be able to reset the application from the tools.

8.1.5 Power supply

Refer to [Section 1: General information](#).

8.2 Component references

Table 9. Mandatory components

Reference	Component name	Value	Quantity	Comments
U1A	Microcontroller	STM32G4 LQFP128	1	128-pin package
C8	Capacitor	100 nF	1	Ceramic capacitors (decoupling capacitors)
C9	Capacitor	4.7 μ F	1	Tantalum / chemical / ceramic capacitor (decoupling capacitor)
C6	Capacitor	1 μ F	3	Ceramic capacitor (decoupling capacitor)

Table 10. Optional components

Reference	Component name	Value	Quantity	Comments
R1	Resistor	390 Ω	1	Used for HSE: the value depends on the crystal characteristics, refer to application note AN2687
R3, R4, r5	Resistor	10 k Ω	3	Used for ST Link interface
C5	Capacitor	100 nF	1	Ceramic capacitor
C7	Capacitor	10 nF	1	Ceramic capacitor
C1, C2	Capacitor	6.8 pF	2	Used for LSE: the value depends on the crystal characteristics. Fits for MC-306 32.768K-E3, which has a load capacitance of 6 pF.
C3, C4	Capacitor	20 pF	2	Used for HSE: the value depends on the crystal characteristics, refer to application note AN2687
X1	Quartz	24 MHz	1	Used for HSE
X2	Quartz	32.764 kHz	1	Used for LSE
SW1	Switch	-	1	Used to select the right boot mode
B1	Push-button	-	1	-
L1	Ferrite bead	-	1	For EMC reduction on V_{DDA} supply, can be replaced by a direct connection between V_{DD} and V_{DDA}

Figure 8. Reference design STM32G4 Series

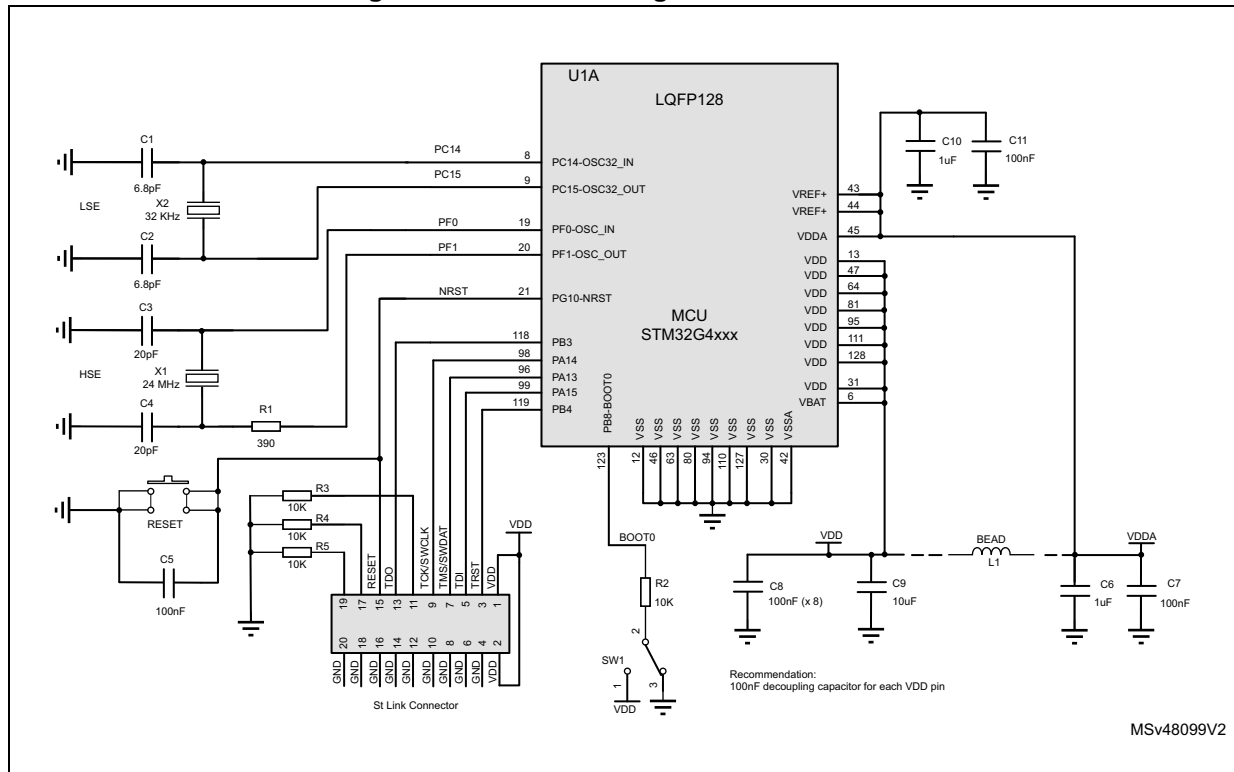


Table 11. Reference connection for all packages

Pin Name	Pin Number per Package											
	UFQFPN		LQFP						UFBGA	TFBGA	WLCSP	
	32	48	32	48	64	80	100	128	64	100	49	81
Specific pins												
PC14/OSC32_IN	-	3	-	3	3	3	8	8	C1	C1	C7	C9
PC15/OSC32_OUT	-	4	-	4	4	4	9	9	D1	D1	D7	D9
PF0/OSC_IN	2	5	2	5	5	5	12	19	E1	E1	E7	E9
PF1/OSC_OUT	3	6	3	6	6	6	13	20	F1	E2	E6	F9
System related pins												
BOOT0/PB8	31	46	31	45	61	77	95	123	B3	A3	B5	B7
NRST/PG10	4	7	4	7	7	7	14	21	D2	F3	C6	D8
PA13 (JTMS-SWDIO)	23	36	23	37	49	63	74	96	C7	D8	B2	B2
PA14 (JTCK-SWCLK)	24	37	24	38	50	64	75	98	C6	B10	B3	C3
Supply pins												
VBAT	-	1	-	1	1	1	6	6	C2	D3	B7	B9

Table 11. Reference connection for all packages (continued)

Pin Name	Pin Number per Package											
	UFQFPN		LQFP						UFBGA	TFBGA	WLCSP	
	32	48	32	48	64	80	100	128	64	100	49	81
VSSA	14	-	14	19	27	27	35	42	G4	K4	G4	H6
VREF+	-	20	-	20	28	28	36	43, 44	G5	K5	F3	J6
VDDA	15	21	15	21	29	29	37	45	H5	J5	G3	J5
VDD	1, 17	23, 35, 48	1, 17	26, 36, 48	16, 32, 48, 64	16, 41, 51, 62, 80	24, 49, 66, 83, 100	13, 31, 47, 64, 81, 95, 111, 128	H8, A8, A1	D5, D7, F5, F7	32, A7	A1, A9, E1, J1, J9
VSS	16, 32	Expose d pad3	16, 32	23, 35, 47	15, 31, 47, 63	15, 40, 50, 61, 79	23, 48, 65, 82, 99	30, 46, 63, 80, 94, 110, 112, 127	B2, B7, G7	D2, D6, E5, E6, E7, F6	A6, G2	A8, B1, F1, H9, J2

9 Revision history

Table 12. Document revision history

Date	Revision	Changes
01-Apr-2019	1	Initial release
03-Oct-2019	2	Updated: – Section 2.1: Power supplies schemes , Section 2.2.2: Power reset – Table 1: Package summary for STM32G4 Series , Table 2: Package summary per line

IMPORTANT NOTICE – PLEASE READ CAREFULLY

STMicroelectronics NV and its subsidiaries (“ST”) reserve the right to make changes, corrections, enhancements, modifications, and improvements to ST products and/or to this document at any time without notice. Purchasers should obtain the latest relevant information on ST products before placing orders. ST products are sold pursuant to ST’s terms and conditions of sale in place at the time of order acknowledgement.

Purchasers are solely responsible for the choice, selection, and use of ST products and ST assumes no liability for application assistance or the design of Purchasers’ products.

No license, express or implied, to any intellectual property right is granted by ST herein.

Resale of ST products with provisions different from the information set forth herein shall void any warranty granted by ST for such product.

ST and the ST logo are trademarks of ST. For additional information about ST trademarks, please refer to www.st.com/trademarks. All other product or service names are the property of their respective owners.

Information in this document supersedes and replaces information previously supplied in any prior versions of this document.

© 2019 STMicroelectronics – All rights reserved