
STSPIN32F0/F0A/F0B - Buck converter

Introduction

The STSPIN32F0/F0A/F0B devices are systems in package providing a complete solution for 3-phase brushless motor driving applications.

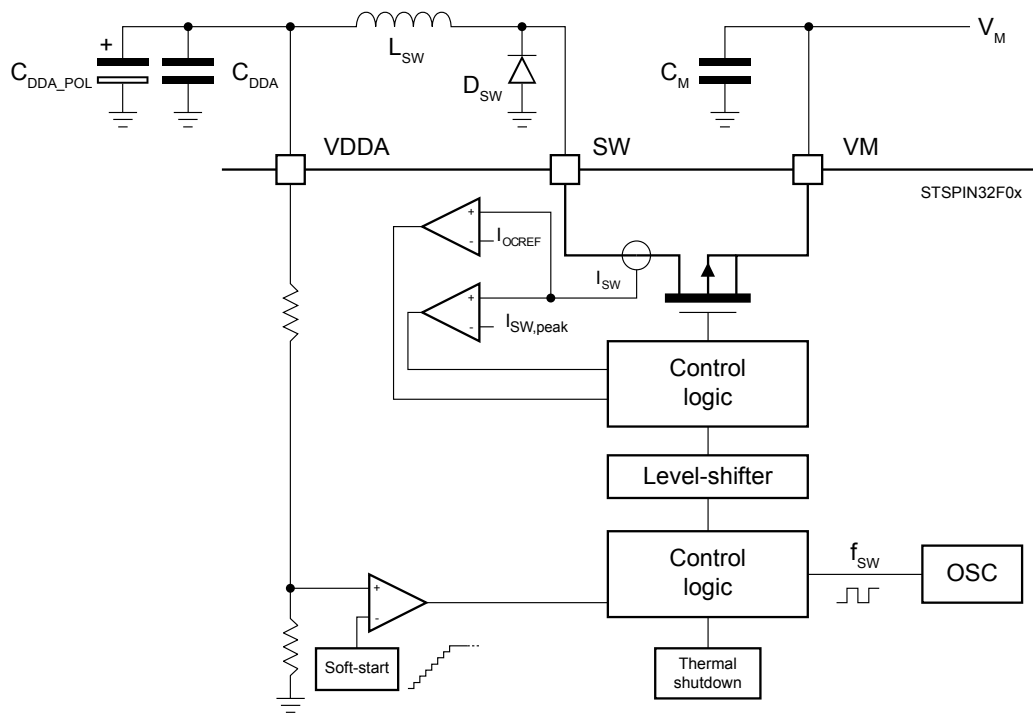
One of the blocks embedded into the devices is a DC/DC buck converter generating a 3.3 V voltage starting from the motor supply.

This document describes in details the operation of the DC/DC buck converter and provides recommendations about the layout and the selection of the discrete components.

1 Operating principle

The buck converter embedded into the STSPIN32F0/F0A/F0B devices is based on hysteretic control. When the VDDA pin voltage - that is the feedback of the DC/DC regulator - is below the target value, the integrated PMOS connects the SW pin to the VM supply charging the output inductor up to $I_{SW,peak} = 320 \text{ mA}$ (typ.), then the PMOS is turned off and the inductor current recirculates through the external diode.

Figure 1. DC/DC converter block diagram



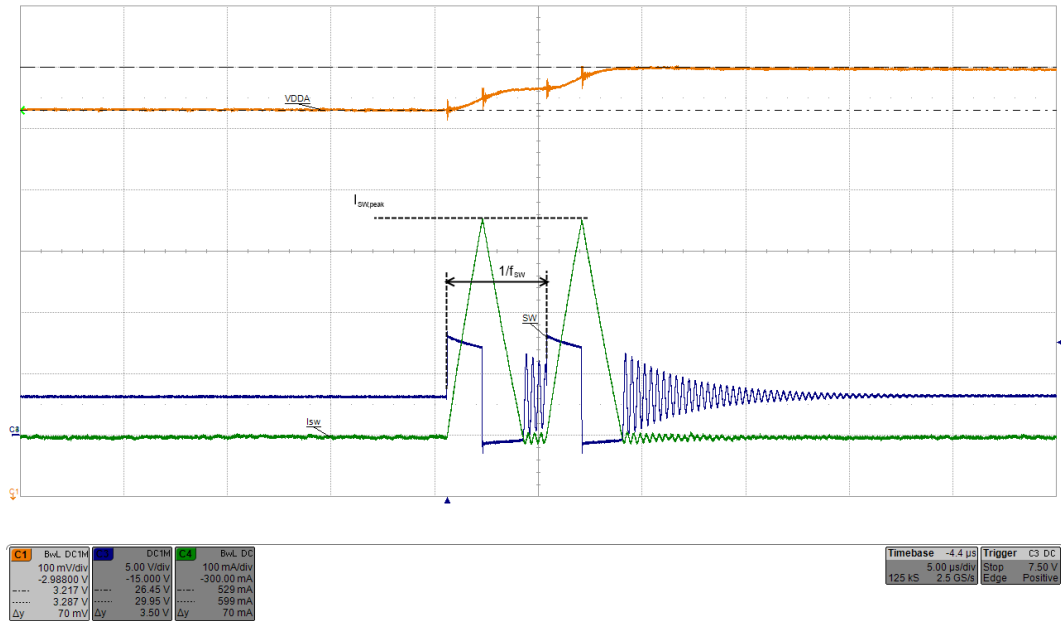
AM040289

The controller generates a new SW pulse with a frequency of $f_{SW} = 200 \text{ kHz}$ (typ.) until the VDDA voltage reaches the target value (3.3 V nominal).

When target has been reached, no more pulses are generated until the VDDA voltage drops below the hysteresis of the feedback comparator.

The hysteretic control allows high stability to the variation of external components and input voltage, keeping the ripple on the output voltage constant and equal to the hysteresis of the feedback comparator.

Figure 2. DC/DC converter waveforms ($V_M = 8\text{ V}$)



1.1 Overcurrent protection

The buck converter integrates protection against the overcurrent or short-circuit of the SW pin. The protection monitors the drop between VM and SW pins detecting anomalous load conditions of the integrated PMOS; when the drop exceeds a safety threshold, the DC/DC regulator is immediately disabled.

The device returns operative only applying a power-cycle on the VM pin, i.e. the supply must be removed and then applied again.

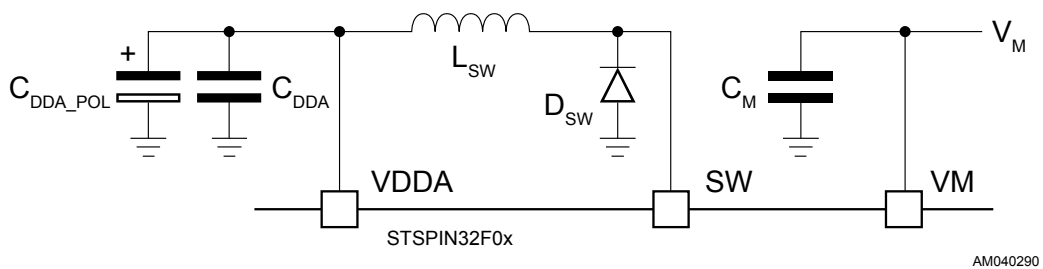
2 Selection of external components

The buck regulator requires some external components. Following the typical application description in [Table 1](#) and [Figure 3](#).

Table 1. Typical application BOM - DC/DC converter

Part	Value
C_M	10 μF
D_{SW}	STPS0560Z
L_{SW}	22 μH
C_{DDA}	100 nF
$C_{\text{DDA_POL}}$	47 μF

Figure 3. Typical application schematic - DC/DC converter



2.1 Input capacitor (C_M)

The input capacitor should be a low ESR ceramic capacitor of at least 10 μF . It must be positioned as near as possible to the VM pin. A second 100 nF ceramic capacitor can be put in parallel in order to reduce the equivalent ESR.

Low ESR is an important requirement because this capacitor will filter the current spikes coming from the commutations of the DC/DC regulator MOSFET. A poor capacitor with poor ESR or a bad layout could cause ringing on the VM supply and cause the triggering of the OC protection (see [Section 1.1 Overcurrent protection](#)). More details on the layout can be found in [Section 3](#) of this document.

2.2 Diode (D_{SW})

The external diode is required to allow recirculation of the inductor current when the embedded PMOS is turned off.

Key characteristics of the diode are:

- Forward voltage drop (V_F)
- Maximum repetitive reverse voltage (V_{RRM})
- Maximum non-repetitive peak forward current (I_{FSM})
- Maximum average forward current ($I_{\text{F(AV)}}$)

A low forward drop voltage reduces the dissipation in the diode during recirculation and improves the efficiency, for this reason a low drop power Schottky diode is recommended.

The V_{RRM} must be greater than the V_M supply voltage. Usually a margin of 20% is considered when this component is selected:

Equation 1

$$V_{RRM} \times 80\% \geq V_M \tag{1}$$

The I_{FSM} is the maximum current the diode can sustain during forward bias condition and it must be greater than the $I_{SW,peak}$ value. The minimum recommended value is 1 A.

The $I_{F(AV)}$ is the average current flowing into the diode (in forward direction) during the operation and its maximum value is limited by the power dissipation. For this reason, the $I_{F(AV)}$ decreases with ambient temperature.

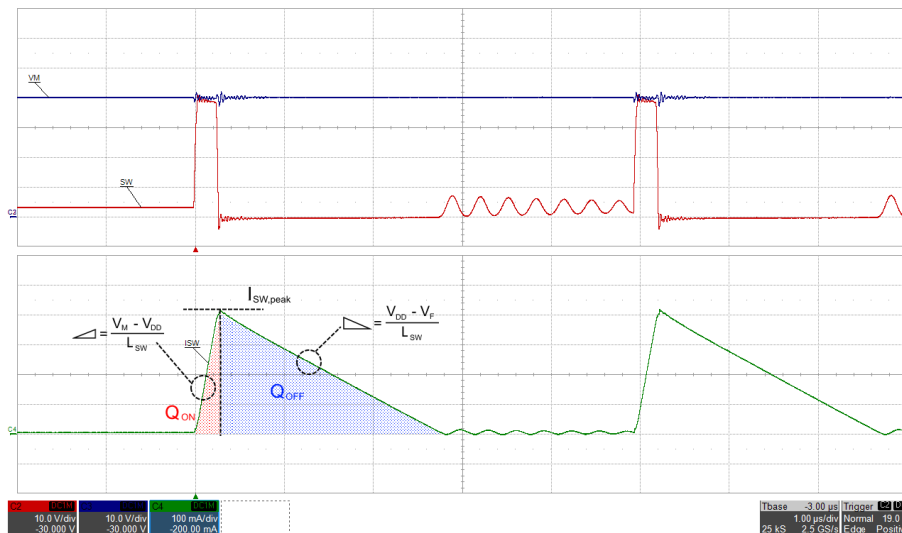
The average current flowing into the diode during the operation of the buck converter can be estimated starting from the output current of buck regulator according to the following formula:

Equation 2

$$\frac{I_{F(AV)}}{I_{DD}} = 1 / \left(1 + \frac{Q_{ON}}{Q_{OFF}} \right) = 1 / \left(\frac{V_{DD} - V_F}{V_M - V_{DD}} \right) = \frac{V_M - V_{DD}}{V_M - V_F} \tag{2}$$

The formula is obtained considering that the output current is proportional to the total charge provided to the output capacitor through the inductor (Q_{TOT}) and the current flowing into the diode is proportional (in the same way) to the charge provided by the inductor during the discharging phase only (Q_{OFF}).

The total charge Q_{TOT} is represented by the area below the inductor current during a single DCM pulse as shown in [Figure 4](#). It is the sum of the area during the charging phase (Q_{ON}) and discharging phase (Q_{OFF}).

Figure 4. Q_{ON} and Q_{OFF}


[Equation 3](#) and [Equation 4](#) approximate the Q_{ON} and Q_{OFF} values and are used to obtain the relation in [Equation 2](#).

Equation 3

$$Q_{ON} = \frac{1}{2} \times I_{SW,peak}^2 \times \frac{L_{SW}}{V_M - V_{DD}} \tag{3}$$

Equation 4

$$Q_{OFF} = \frac{1}{2} \times I_{SW,peak}^2 \times \frac{L_{SW}}{V_{DD} - V_F}$$

(4)

2.3 Inductor (L_{SW})

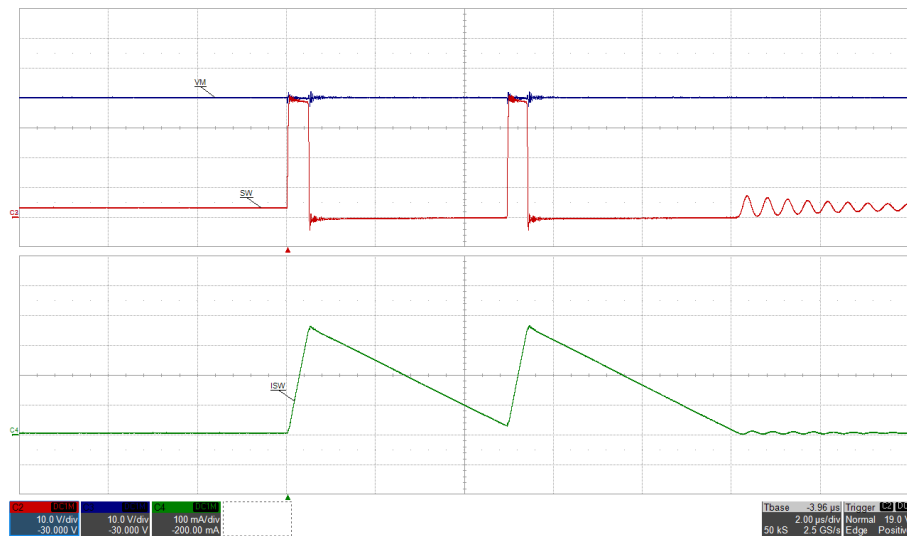
The recommended value of the inductor is 22 μH and the saturation current must be greater than the regulator peak current $I_{SW,peak}$.

From the power dissipation point of view, the r.m.s. current flowing into the inductor is equal to the output current of the regulator.

When a higher inductor value is used (see [Figure 5](#)), the buck regulator could start operating in CCM mode. This operation mode increases the impact of the parasitic effects on the VM pin because

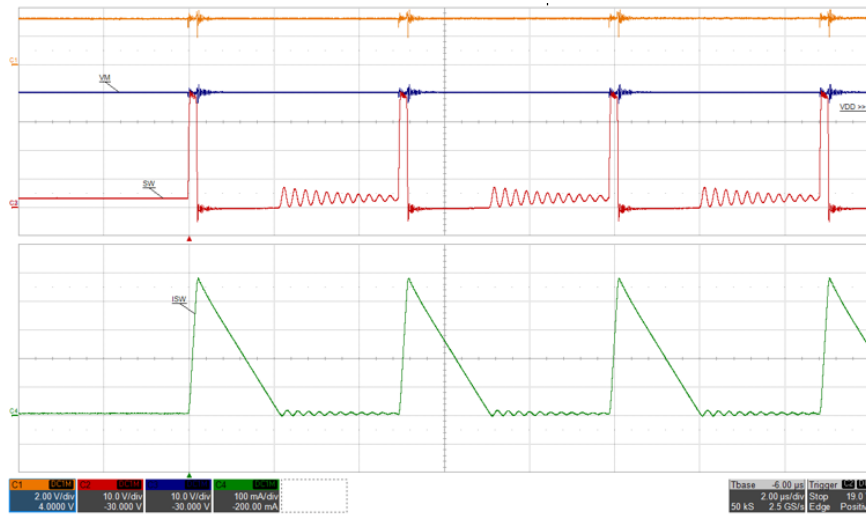
- The turn-on of the integrated PMOS is not performed at the 0 current, so a strong di/dt is present on the VM-SW path.
- At the turn-on of the integrated PMOS the external diode is turned off and the recovery current pulse flows into the VM-SW path.

Both these events stimulate the parasitic inductor on the VM-SW path (PCB traces, internal bondings of the device, etc.) introducing a drop that could cause spurious OC detection.

Figure 5. Operation with 47 μH


When a lower inductor value is used (see [Figure 6](#)), the total charge provided by each DC/DC converter cycle is lower. This implies more pulses are required to obtain the same output current and a lower maximum output current limit.

Figure 6. Operation with 15 μ H



2.4 Output capacitor (C_{DDA_POL})

The DC/DC regulator has been designed to operate with an output capacitor of at least 47 μ F and an ESR lower than 200 m Ω .

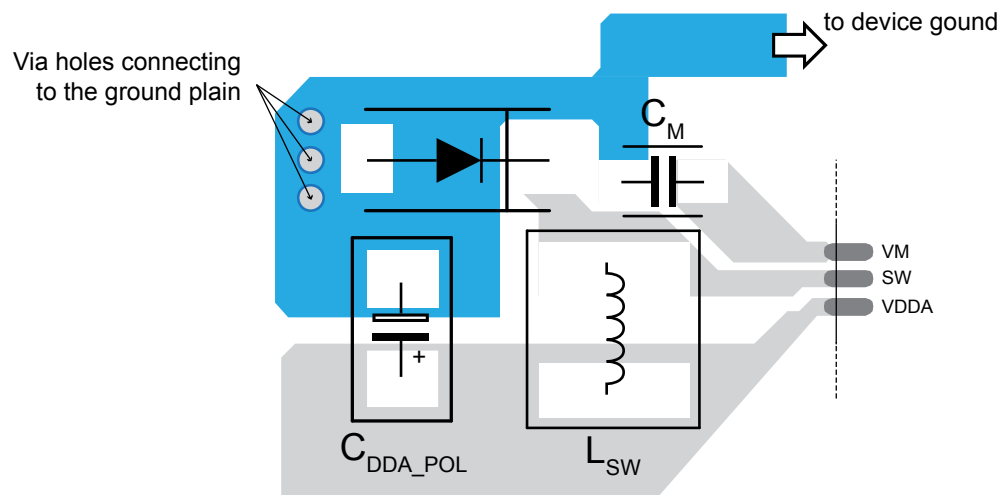
Considering the VDDA pin is both the buck converter output and one of the device supply pins, it is recommended to place a 100 nF ceramic capacitor as near as possible to the pin (C_{DDA}).

3 Layout suggestions

For the layout of the DC/DC converter circuitry, the following recommendations should be considered

- Put the input capacitor C_M as near as possible to the VM pin.
- Directly connect the input capacitor C_M to the device ground avoiding long nets and via holes.
If a short connection to the device ground is not possible using the top layer only, 2 or more via holes must be placed as near as possible to the capacitor to connect it to the ground plain. The ground plain must guarantee a direct connection to the device ground.
- Make the area of the ring composed by the recirculation diode, inductor (L_{SW}) and output capacitor (C_{DDA_POL}) in order to reduce EMI emissions.

Figure 7. Recommended layout (top)



AM040291

Revision history

Table 2. Document revision history

Date	Version	Changes
28-Feb-2018	1	Initial release.
27-Nov-2019	2	Added STSPIN32F0B RPN.

Contents

1	Operating principle	2
1.1	Overcurrent protection	3
2	Selection of external components	4
2.1	Input capacitor (C_M)	4
2.2	Diode (D_{SW})	4
2.3	Inductor (L_{SW})	6
2.4	Output capacitor (C_{DDA_POL})	7
3	Layout suggestions	8
	Revision history	9
	Contents	10
	List of tables	11
	List of figures	12

List of tables

Table 1.	Typical application BOM - DC/DC converter	4
Table 2.	Document revision history	9

List of figures

Figure 1.	DC/DC converter block diagram	2
Figure 2.	DC/DC converter waveforms ($V_M = 8\text{ V}$)	3
Figure 3.	Typical application schematic - DC/DC converter	4
Figure 4.	Q_{ON} and Q_{OFF}	5
Figure 5.	Operation with $47\ \mu\text{H}$	6
Figure 6.	Operation with $15\ \mu\text{H}$	7
Figure 7.	Recommended layout (top)	8

IMPORTANT NOTICE – PLEASE READ CAREFULLY

STMicroelectronics NV and its subsidiaries (“ST”) reserve the right to make changes, corrections, enhancements, modifications, and improvements to ST products and/or to this document at any time without notice. Purchasers should obtain the latest relevant information on ST products before placing orders. ST products are sold pursuant to ST’s terms and conditions of sale in place at the time of order acknowledgement.

Purchasers are solely responsible for the choice, selection, and use of ST products and ST assumes no liability for application assistance or the design of Purchasers’ products.

No license, express or implied, to any intellectual property right is granted by ST herein.

Resale of ST products with provisions different from the information set forth herein shall void any warranty granted by ST for such product.

ST and the ST logo are trademarks of ST. For additional information about ST trademarks, please refer to www.st.com/trademarks. All other product or service names are the property of their respective owners.

Information in this document supersedes and replaces information previously supplied in any prior versions of this document.

© 2019 STMicroelectronics – All rights reserved