

Introduction to FDCAN peripherals for STM32 product classes

Introduction

The purpose of this document is detailed hereafter:

- Give an overview of the controller area network (CAN) with flexible data-rate (CAN-FD) protocol.
- Describe the improvements and benefits of CAN-FD over classical CAN (CAN2.0).
- Present the CAN-FD implementation in the STM32 microcontrollers and microprocessors listed in the table below.
- Describe the various modes and specific features of the FDCAN peripheral.

This application note applies to the products listed in the table below. This group of applicable products is referred to as *STM32 devices* in this document.

Table 1. Applicable products

Product classes	Product series
Microcontrollers	STM32G0 series, STM32G4 series, STM32H5 series, STM32H7 series, STM32L5 series, STM32U5 series.
Microprocessors	STM32MP1 series.

1 General information

This application note gives an overview of the FDCAN peripheral embedded in the STM32 microcontrollers and microprocessors listed in [Table 1](#), that are Arm[®] Cortex[®] core-based devices.

Note: Arm is a registered trademark of Arm Limited (or its subsidiaries) in the US and/or elsewhere.



2 CAN-FD protocol overview

The CAN-FD protocol (CAN with flexible data-rate) is an extension of the classical CAN (CAN 2.0) protocol. CAN-FD is the CAN 2.0 successor. It efficiently supports distributed real-time control with a very high-level of security. CAN-FD was developed by Bosch and standardized as ISO 11898-1:2015 (suitable for industrial, automotive and general embedded communications).

2.1 CAN-FD features

Main features of the CAN-FD protocol are listed below:

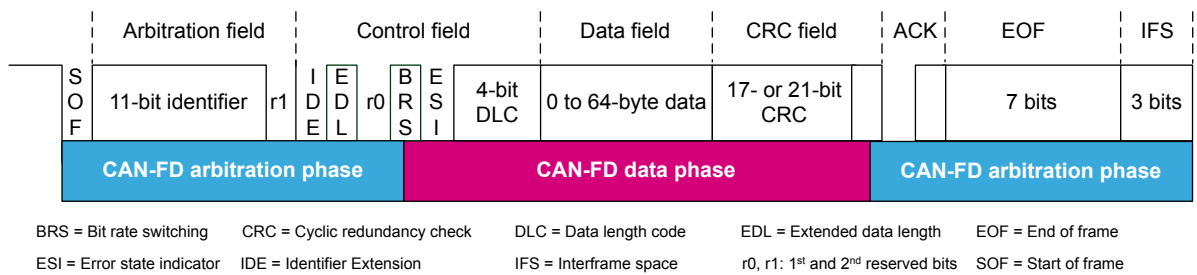
- Compatibility with the CAN protocol: CAN-FD node is able to send/receive CAN messages according to ISO 11898-1
- Error-checking improvement, based on checksum field up to CRC 21 bits
- Prioritization of messages
- Guarantee of latency times
- Configuration flexibility
- Multicast reception with time synchronization
- System-wide data consistency up to 64 bytes per message
- Multimaster
- Error detection and signaling
- Distinction between temporary errors and permanent failures of nodes and autonomous switching off of defect nodes

2.2 CAN-FD format

The data sent is packaged into a message as shown in the figure below. A CAN-FD message can be divided into three phases:

1. a first arbitration phase
2. a data phase
3. a second arbitration phase

Figure 1. Standard CAN-FD frame



The first arbitration phase is a message that contains:

- a start of frame (SOF)
- an ID number and other bits, that indicate the purpose of the message (supplying or requesting data), and the speed and format configuration (CAN or CAN-FD)

The data transmission phase consists on:

- the data length code (DLC), that indicates how many data bytes the message contains
- the data the user wishes to send
- the check cyclic redundancy sequence (CRC)
- a dominant bit

The second arbitration phase contains:

- the receiver of acknowledgment (ACK) transmitted by other nodes on the bus (if at least one has successfully received the message)
- the end of frame (EOF)
No message is transmitted during the IFS: the objective is to separate the current frame with the next.

Note: The 29-bit identifier frame is similar to the standard CAN-FD frame when adding an 18-bit identifier after the bit IDE in the first arbitration phase.

3 Improvements and benefits of CAN-FD over CAN 2.0

The CAN-FD development responds to the need of communication networks that require higher bandwidth. This need is fulfilled by the CAN-FD having up to 64 bytes per frame and by its possibility to increase the bit rate to up to eight times faster during the data phase, and to go back to a normal bit rate during the second arbitration phase.

The data transfer integrity is ensured by:

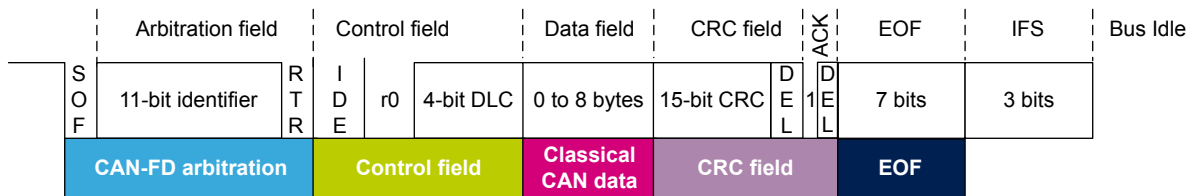
- a CRC used to checksum a payload of up to 16 bytes based on 17 stage polynomial
- a 21-stage polynomial used to checksum the payload between 16 and 64 bytes

3.1 Frame architecture comparison between CAN-FD and CAN 2.0

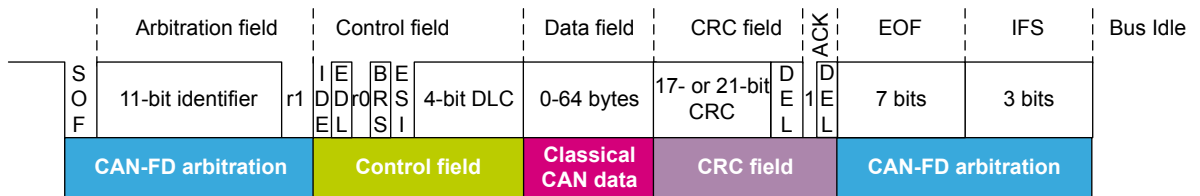
The main differences on frame architecture of CAN-FD compared to CAN 2.0 are illustrated on the figure below.

Figure 2. Frame architecture of CAN-FD versus CAN 2.0

CAN 2.0: Classical base frame format



CAN-FD: CAN flexible data rate base frame format



DEL = Delimitator RTR = Remote transmission request

After identifier, CAN 2.0 and CAN-FD have a different action:

- CAN 2.0 sends an RTR bit to precise the type of frame: data frame (RTR is dominant) or remote frame (RTR is recessive).
- CAN-FD sends always a dominant RRS (reserved) as it only supports data frames.

The IDE bit is kept in the same position and with the same action to distinguish between the base formats (11-bit identifier). Note that the IDE bit is transmitted either as dominant or as recessive in case of **extended** format (29-bit identifier).

In the CAN-FD frame, three new bits are added in the control field compared to CAN 2.0:

- Extend data length (EDL) bit: is recessive to signify the frame is CAN-FD, otherwise this bit is dominant (called R0) in CAN 2.0 frame.
- Bit rate switching (BRS): indicates whether two bit rates are enabled (for example when the data phase is transmitted at a different bit rate to the arbitration phase).
- Error state indicator (ESI): indicates if the node is in error-active or error-passive mode.

The last part of the control field is data length code (DLC), that has the same position and same length (4 bits) for both CAN 2.0 and CAN-FD. The DLC function is the same in CAN-FD and CAN 2.0, but with small changes on CAN-FD regarding the payload data length codes. (details in the table below). CAN-FD allows extended frames to be sent of up to 64 data bytes in a single message while CAN 2.0 payload data is up to 8 bytes.

Table 2. Payload data length codes (bytes)

DLC (Dec)	0	1	2	3	4	5	6	7	8	9	10	11	12	13	14	15
CAN 2.0	0	1	2	3	4	5	6	7	8	8	8	8	8	8	8	8
CAN-FD	0	1	2	3	4	5	6	7	8	12	16	20	24	32	48	64

The network bandwidth is improved by the increase of data fields that carry the payload data, as there is less need for multi packet handling. Consequently, the message integrity is enhanced by adding more bits for the CRC field:

- If the payload data is up to 16 bytes, CRC is coded in 17 bits.
- If the payload data is higher than 20 bytes, CRC is coded in 21 bits.

In addition, to ensure the CAN-FD frame robustness, the CRC field is supported by stuff bit mechanism.

The table below summarizes the main difference between CAN-FD and CAN 2.0. The main features that provide an improvement on CAN-FD compared to CAN 2.0 are the increase of data payload and the higher speed ensured by the BRS, EDL and ESI bits available in CAN-FD.

Table 3. Main differences between CAN-FD and CAN 2.0

Features	CAN 2.0	CAN-FD
Compatibility	Does not support CAN-FD	Supports CAN 2.0 A/B
Maximum bit rate (Mbit/s)	Frame bitrate: up to 1	Arbitration bitrate: up to 1s Data bitrate: up to 8
DLC field (4 bits) code	Coded in 0 to 8	Coded in 0 to 64
Maximum data bytes in one message	8 bytes of data	64 bytes of data
BRS support	No	Yes
EDL support	No	Yes
ESI support	No	Yes
CRC bits check codes	Bits not included in CRC calculation	Bits included in CRC calculation
Remote frame support	Yes	No

Note: For more details regarding CAN 2.0 and CAN-FD, refer to Bosch documentation available on their website.

4 Implementation of CAN-FD in STM32 devices

The STM32 devices defined in Table 1 embed an FDCAN peripheral that supports the CAN-FD protocol according to ISO 11898-12015. Most STM32 devices support more than one instance of CAN. Refer to the product datasheet for the number of instances available on a specific device.

The range of features and functionalities offered by the Flexible Data-rate Controller Area Network (FDCAN) feature in STM32 devices is dependent on the specific implementation of the device.

To fully understand the implementation and the capabilities of the FDCAN feature, refer to the product reference manual. The rest of this document will delve deeper into the advanced functionality of the FDCAN, referred to as the FDCAN superset.

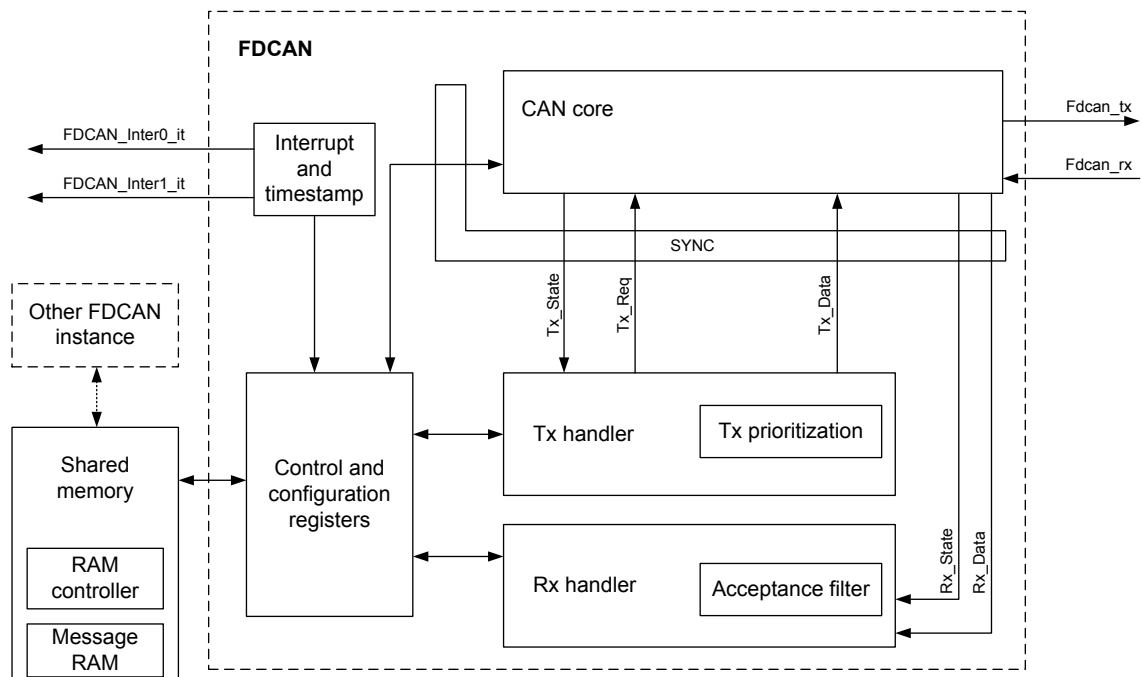
4.1 FDCAN peripheral main features

The features of the FDCAN on STM32 devices are listed below:

- Compliant with CAN protocol version 2.0 part A, B and ISO 11898-1: 2015, -4
- Accessible 10-Kbyte RAM memory to allocate up to 2560 words
- Improved acceptance filtering
- Two configurable receive FIFOs
- Up to 64 dedicated receive buffers
- Separate signaling on reception of high priority messages
- Up to 32 dedicated transmit buffers
- Configurable *transmit FIFO* and *transmit queue*
- Configurable *transmit event FIFO*
- Clock calibration unit
- Transceiver delay compensation

The figure below illustrates the FDCAN block diagram.

Figure 3. FDCAN block diagram



The FDCAN block diagram characteristics are listed below:

- All the FDCAN instance numbers share the same memory.
- Each FDCAN instance contains the CAN core.
- The CAN core presents the protocol controller and receive/transmit shift registers.
- The Tx handler controls the message transfer from the CAN message RAM to the CAN core.
- The Rx handler controls the transfer of received messages from the CAN core to the external CAN message RAM.

4.2 RAM management

All transmitted and received messages are stored in the CAN message RAM. During CAN message RAM initialization, the user must define where to store the 11-bit filter, the 29-bit filter, the received messages and the messages to transmission.

4.2.1 RAM organization

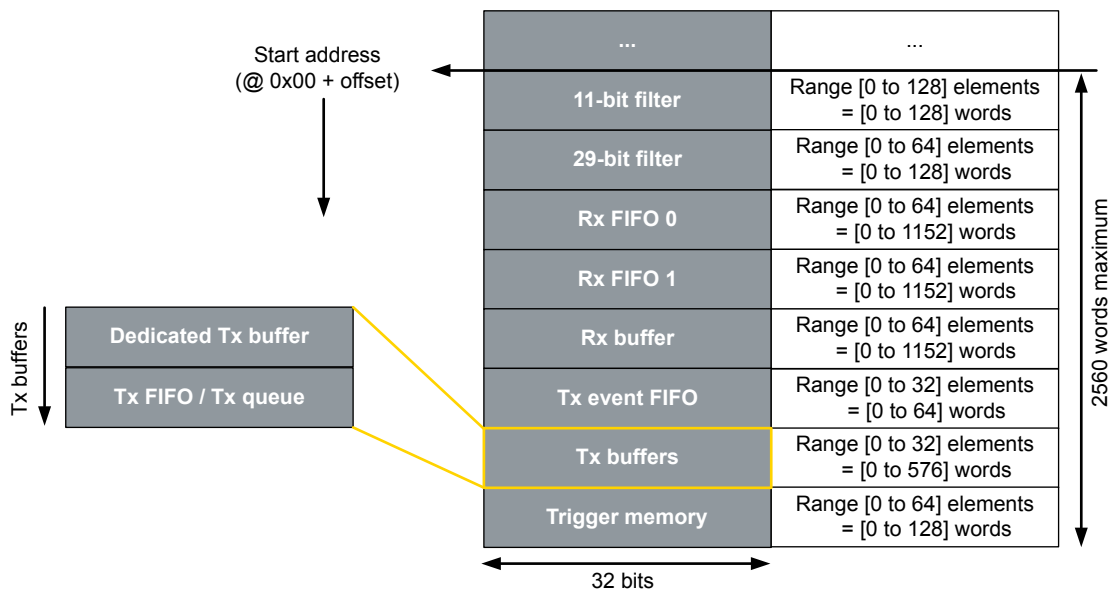
The quantity of data bytes per message must be configured to determine the memory space that is required per message. The increase of the payload on CAN-FD results in more efficient memory usage and allows more messages to be stored in the allocated memory space.

A dedicated RAM reserved to FDCAN on STM32 devices is used to allocate up to 2560 words of 32 bits. This reserved RAM space makes the CPU more efficient.

As illustrate in the figure below, the CAN message RAM is split into four different sections:

- section filtering (11-bit filter, 29-bit filter)
- section reception (Rx FIFO 0, Rx FIFO 1, Rx Buffer)
- section transmission (Tx event FIFO, Tx Buffers)
- section trigger memory (Trigger memory)

Figure 4. CAN message RAM mapping



All sections of the FDCAN peripheral can be configured by the user. The sum of all elements of all sections must not be exceed the total CAN message RAM size. This RAM provides increased flexibility and performance by enabling the possibility to eliminate unused sections and to expand sufficient memory for the other sections.

The configured elements of each section are allocated in a dynamic and successive way in the CAN message RAM according to the order presented in above figure; however in order to avoid the risk of exceeding the RAM and for reliability reasons, a specific own start and end address is not assigned to each section.

FDCAN peripheral can configure three mechanisms for transmission: Tx buffer and/or Tx queue and/or Tx FIFO and can receive via Rx buffer and/or Rx FIFO. They are configured with a start-address offset and the number of memory elements to store. The starting address is predefined in the configuration (number between 0 and 2560), and it is the user's responsibility to ensure that the number of elements per memory space does not cause them to overlap.

Note: The reception and the transmission of a message imply the storage of an "element" at RAM level. This "element" contains only the identifier, the DLC, the control bits (ESI, XTD, RTR, BRS, FDF), the data field and the specific transmission/reception bits field for control. The remaining bits of the CAN message are handled automatically by hardware and are not saved in the RAM.

The specific bits fields for control for reception are filter index, accepted non-matching frame, and Rx timestamp. The specific bits fields for transmission are message marker and event FIFO control bit.

The number of 32-bit words allocated for each element whatever Tx buffer, Tx FIFO, Tx queue or in Rx buffer are calculated to reserve:

- Header information (two reserved 32-bit-words) to allocate the identifier, the DLC field, the bits of control and the specific transmission/reception bits fields
- Data (the number of 32-bit words sufficient) to contain the number of bytes per data field

The formula below determines the number of 32-bit words allocated for each element:

Element size (in words) = Header information (2 words) + Data (data field/4)

where data field is the number of data bytes per message.

Note: If the data field is in the range of 0 to 8, 2 words are allocated for the data per element.

The necessary "element" size depending on data field range is detailed in the table below.

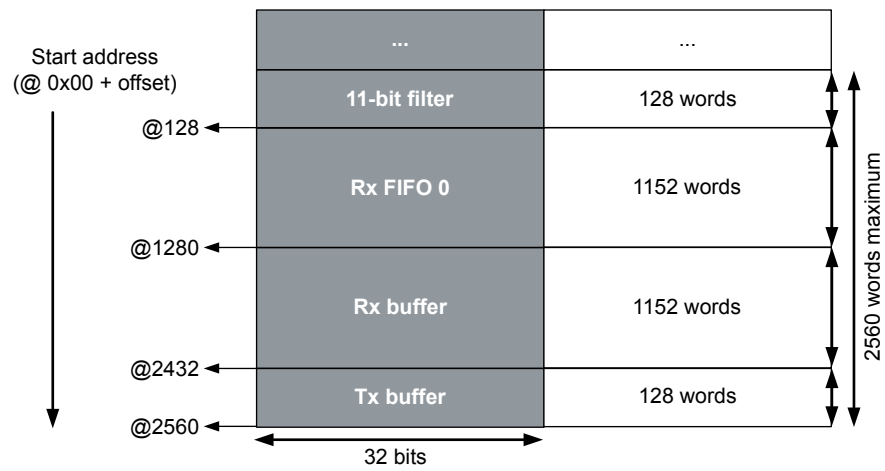
Table 4. "Element" size number depending on data field range

Data field (bytes)	Element size (RAM words)
0 to 8	4
12	5
16	6
20	7
24	8
32	10
48	14
64	18

An example for efficient use of the CAN message RAM is illustrated in the figure below. This example assumes an application where the FDCAN peripheral is configured:

- to send 32 messages with dedicated Tx buffer (each message contains 8 bytes in the data field)
- to have 128 11-bit filters for acceptance of the messages
- to receive 64 messages where each message contains 64 bytes in data field in dedicated Rx buffers
- to receive 64 messages where each message contains 64 bytes in data field in Rx FIFO 0

Figure 5. RAM mapping example for and efficient use of the CAN message RAM



In this example, the allocation in the RAM is done in the following order:

1. Allocate 128 words in the section ID-11bits.
2. Reserve 1152 words for the reception of the elements in the section Rx FIFO 0.
3. Reserve 1152 words for the reception of the elements in the section Rx buffer.
4. Reserve 128 words for the elements sent in Tx buffer.

Thanks to the dynamic allocation and by not making any allocation for unused sections, the whole memory size of the RAM is used efficiently: all the 2560 words are allocated in this application.

Note: After the configuration, the allocated address range is initialized to zero.

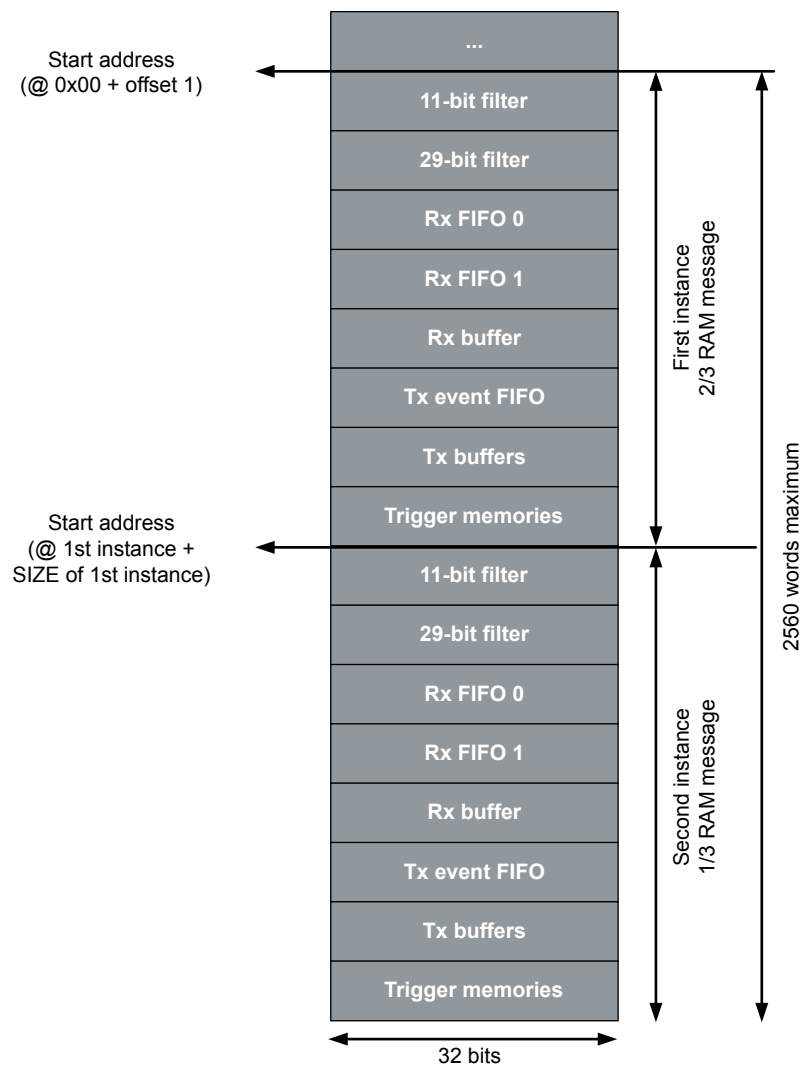
4.2.2 Multiple FDCAN instances

Most STM32 devices support more than one FDCAN instance to meet all the application requirements (refer to the product datasheet for the number of instances).

In this context, it is important to say that the RAM is shared between the different instances. The user can divide the RAM on the various instances (each instance size is chosen by indicating its start offset address).

An example of a CAN message RAM using multiple FDCAN instances is illustrated in the figure below. This example assumes that the user divides the CAN message RAM into two instances: the size of the first instance is the double of the second instance.

Figure 6. Example of CAN message RAM with multiple FDCAN instances



4.3 RAM sections

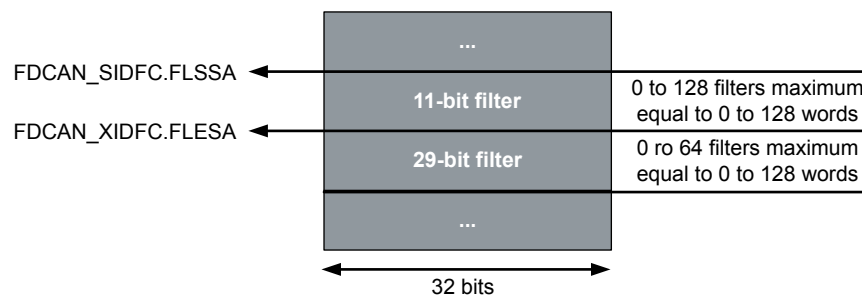
4.3.1 RAM filtering sections

The FDCAN peripheral offers the possibility to configure two sets of acceptance filters: one for standard identifiers and one for extended identifiers to store or reject received messages. Up to 128 filter elements can be configured for 11-bit standard IDs and up to 64 filter elements can be configured for 29-bit extended IDs.

The start address of 11-bit filter section is configured via the FLSSA[13:0] bits in the FDCAN_SIDFC register and the 29-bit filter section is configured via the FLESA[13:0] in the FDCAN_XIDFC register.

The figure below shows a section of the CAN message RAM with the number of filter elements and their start addresses.

Figure 7. CAN message RAM filters section



These filters can be assigned to the Rx FIFO 0/1 or to the dedicated Rx buffers. When the FDCAN performs acceptance filtering, it always starts at filter element #0 and proceeds through the filter list to find a matching element. Acceptance filtering stops at the first matching element and the following filter elements are not evaluated for this message. Therefore, the sequence of configured filter elements has a significant impact on the performance of the filtering process.

The user chooses to enable or disable each filter element, and can configure each element for acceptance or rejection filtering. Each filter element can be configured as:

- **Range filter:** the filter matches for all messages with an identifier in the range defined by two IDs.
- **Filter for dedicated IDs:** the filter can be configured to match for one or two specific identifiers.
- **Classic bit mask filter:** to match groups of identifiers by masking bits of a received identifier. The first ID configured is used as message ID filter, the second ID is used as filter mask. Each zero bit at the filter mask masks out the corresponding bit position of the configured ID filter.

Note: If all bits equal 1, a match occurs only when the received message ID and the message ID filter are identical. If all mask bits equal 0, all message IDs match.

4.3.1.1 High-priority messages

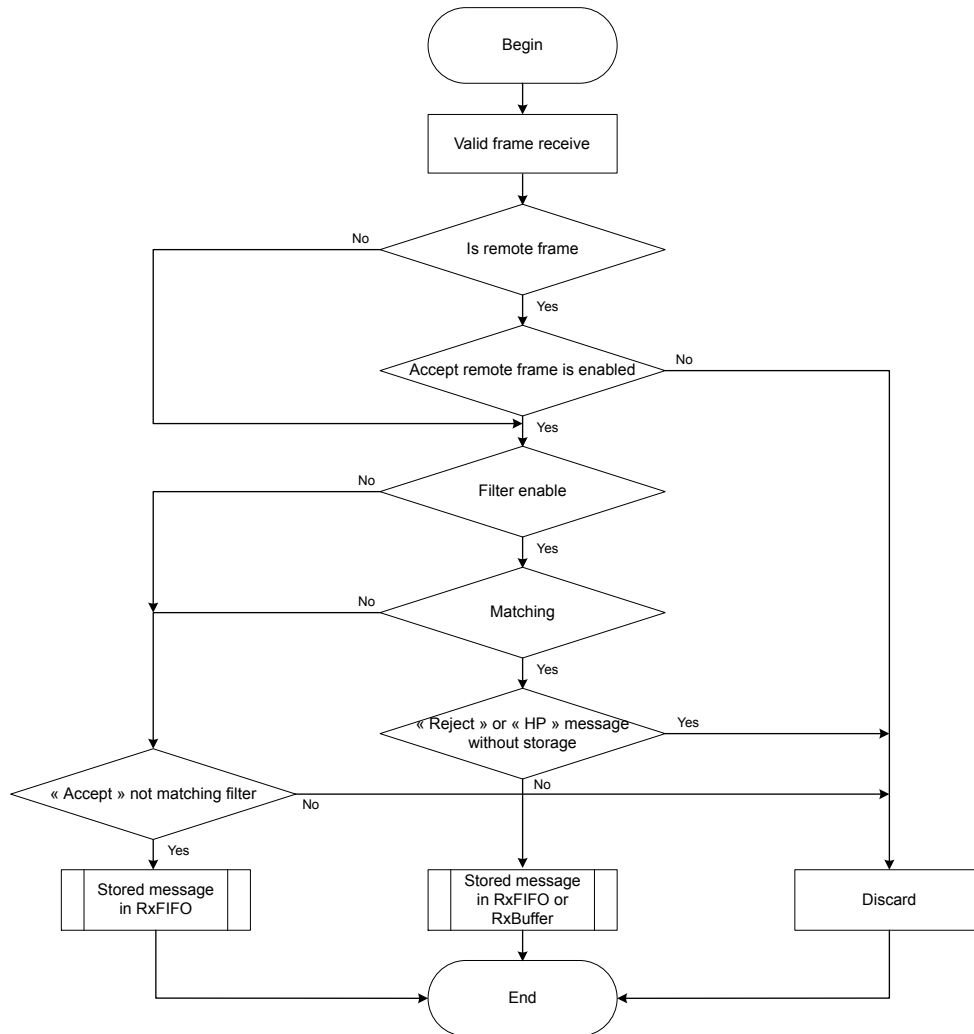
The FDCAN can notify the user when a high priority message is received. This notifications can be used to monitor the status of incoming high-priority messages and to enable fast access to these elements.

The FDCAN detects a high-priority message with help of a message filter. A filter element provides the following settings related to high-priority messages:

- **Set priority and store in FIFO 0/1 if filter matches:** if this message filter matches, the FDCAN informs about the high-priority message arrival and stores the element in Rx FIFO 0/1.
- **Set priority if filter matches:** if this message filter matches, the FDCAN notifies about the high-priority message arrival but **does not store the element**.

The following flow chart explains the global mechanism of an acceptance filter.

Figure 8. Global flow chart of acceptance filter



Example to illustrate the acceptance filtering

To illustrate the different types of filters that can be used and the result of each type, the assumption is that the user wants to configure the FDCAN:

- to reject all the messages with identifier in the range [0x16 to 0x20]
- to accept all the messages with identifier equal to 0x15 or 0x120 and to store them in FIFO 1
- to accept the message with identifier equal to 0x130 and store it in the Rx buffer index 4

- to accept the messages with identifier that corresponds to:
 - bits [10..6] = 0b111 00
 - bits [5..4] = *don't care*
 - bits [3..0] = 0b00000

In this case, the filter must be configured as *classic bit mask filter* because the accepted identifier correspond to 0b11100XX0000 (where x can be any value in 0 or 1). The accepted identifiers are:

- 0b111 0000 0000 (0x700)
- 0b111 0001 0000 (0x710)
- 0b111 0010 0000 (0x720)
- 0b111 0011 0000 (0x730)

The base filter ID can be any value in 0x700, 0x710,0x720,0x730. The mask filter ID equals 0b111 1100 1111 (0x7CF).

The table below presents the different configurations of the standard 11-bit message ID filters, as indicated in the above example. Each standard filter element contains:

- SFT bits (standard filter type)
- SFEC bits (standard filter element configuration).
- SFID1 bits (standard filter ID1)
- SFID2 bits (standard filter ID2)

Table 5. Standard filter element configuration

Filter	Standard filter type SFT [31:30]	Standard filter element configuration SFEC [29:27]	Standard filter ID 1 SFID1 [26:16]	Standard filter ID 2 SFID2 [15:0]
First	00 - Range filter	011 - Reject	0x16	0x20
Second	01 - Dual ID	010 - Store in FIFO 1	0x15	0x120
Third	xx - Don't care	111 - Store in Rx buffer	0x130	0x04 (buffer index)
Fourth	10 - Classic bit mask filter	001 - Store in FIFO 0	0x700	0x7CF

The first filter is configured to reject the messages with ID in the **range** [0x16...0x20].

The second filter is configured to store in Rx FIFO 1, the messages with ID equal to **dual ID** 0x15 or 0x120.

The third filter is configured to store in Rx buffer index 4, the message with ID equal to 0x130 .

Note: If SFEC is configured as “Store into Rx buffer” then the configuration of SFT is ignored. The acceptance filter stops at the first match. So the order of the filters is important.

This example configures the standard filters in the same way than a user can configure the extend filters (refer to product datasheet for more details).

The numerous filter possibilities of the FDCAN allow a complex message filtering in hardware, which makes software filtering redundant and saves CPU resources.

4.3.2 Reception section

4.3.2.1 Rx FIFO 0 and Rx FIFO 1

Two Rx FIFO can be configured in the CAN message RAM. Each Rx FIFO section can store up to 64 elements. Each element is stored in one Rx FIFO element.

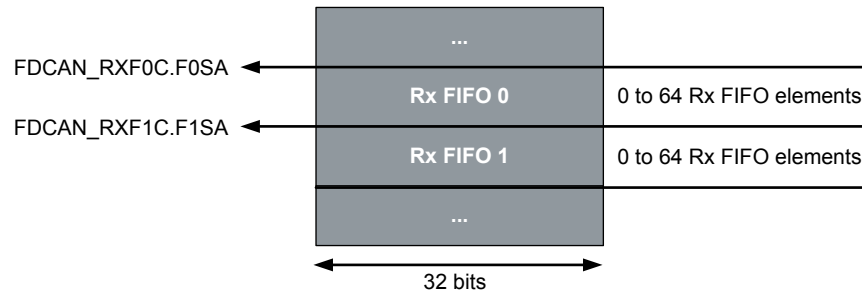
The size of a Rx FIFO element can be configured via the FDCAN_RXESC register for each Rx FIFO individually. The Rx FIFO element size defines how many data field bytes of a received element can be stored. The size of an Rx FIFO element is defined by the formula specified in [Section 4.2.1: RAM organization](#).

Header information contains the identifier, DLC field, control bits and the bits fields (filter index, accepted non-matching frame, Rx timestamp).

After the configuration of the element size via the F1DS[2:0] field in the FDCAN_RXESC register, the number of elements and the start address of Rx FIFO 1 must be configured respectively via the F1S[6:0] and F1SA[13:0] fields in the FDCAN_RXF1C register.

The figure below shows the Rx FIFO section on the CAN message RAM with the number of elements that can be supported and the start address for each section.

Figure 9. Rx FIFO section in CAN message RAM



The start address of an Rx FIFO is the address of the first word of the first Rx FIFO element. Received elements that pass the acceptance filtering are stored in the appropriate Rx FIFO based on the matching filter element.

If the Rx FIFO is full, the newly arriving element can be handled according to two different modes:

- **Blocking mode:** this is the default operation mode of the Rx FIFO, no further elements are written to the Rx FIFO until at least one element has been read out.
- **Overwrite mode:** The new element accepted in the Rx FIFO overwrites the oldest element in the Rx FIFO and the *put and get* index of the FIFO are incremented by one.

To read an element from an Rx FIFO, the CPU has to perform the following steps:

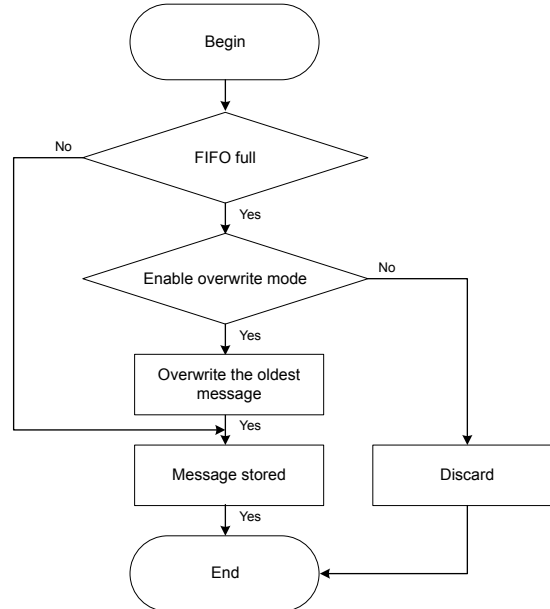
1. Read the register FDCAN_RXF1S to know the status of the Rx FIFO.
2. Calculate the address of the oldest element in the RAM as with the following formula:

$$\text{Oldest element address} = \text{CAN_message_RAM_base_address} + \text{FDCAN_RXF1C.F1SA (start address)} + \text{FDCAN_RXF1S.F1GI (get Index)} \times \text{Rx FIFO_element_size}.$$
3. Read the element from the calculated address.

After the CPU has read an element or a sequence of elements from the Rx FIFO, it must acknowledge the read. After acknowledgement, the FDCAN can reuse the corresponding Rx FIFO buffer for a new element. To acknowledge one or more elements, the CPU must write the buffer index of the last element read from Rx FIFO to FDCAN_RXF1A register. As a consequence, the FDCAN updates the FIFO fill level and the *get index*.

The following chart presents a simplified operation of Rx FIFO.

Figure 10. Simplified operation of Rx FIFO



Note: The registers of Rx FIFO 0 and Rx FIFO 1 have identical registers with meaningful names by changing the number of FIFO each time.

4.3.2.2 Dedicated Rx buffer section

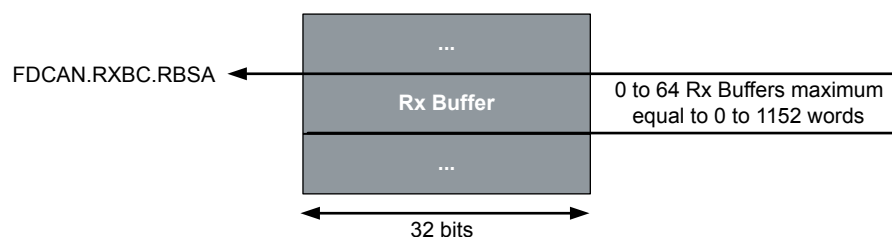
The FDCAN supports up to 64 dedicated Rx buffers. Each dedicated Rx buffer can store one element.

The size of a dedicated Rx buffer can be configured via the FDCAN_RXESC register. The Rx buffer size defines how many data field bytes of a received element can be stored. The size of a dedicated Rx buffer is defined by the formula described in Section 4.2.1: RAM organization.

After the configuration of the element size via the RBDS[2:0] field in the FDCAN_RXESC register, the start address must be configured via the RBSA[13:0] field in the FDCAN_RXBC register.

The figure below shows the Rx buffer section on the CAN message RAM with the maximum number of dedicated Rx buffer elements that can be supported and the start address.

Figure 11. Rx buffer section on CAN message RAM



When an element is stored in a dedicated Rx buffer, the FDCAN sets the interrupt flag via the DRX bit in the FDCAN_IR register and the corresponding bit in the new data flag FDCAN_NDAT1 or FDCAN_NDAT2 registers. When bits are set in FDCAN_NDAT1/2, the respective Rx buffer is locked (not overwritten by a new element) and the corresponding filter does not match. After reading the element, the CPU has to reset the corresponding bit in FDCAN_NDAT1/2, in order to unlock the respective Rx buffer.

To read an element from a dedicated Rx buffer, the CPU must perform the following steps:

1. Check the bits in FDCAN_NDAT1/2 to know if a new element arrived in a dedicated Rx buffer.
2. Calculate the address of the element in the CAN message RAM, as determined by the formula below:
Reference Rx buffer address = CAN_message_RAM_base_address + FDCAN_RXBC.RBSA (start address) + dedicated Rx buffer index x Rx_Buffer_element_size.
3. Read the message from the calculated address.

The filter element can reference Rx buffers index (0 to 63) as destination for a received element. If the corresponding filter matches, the FDCAN only performs a write to a referenced Rx buffer location. In other words, the FDCAN does not write to unreferenced Rx buffer locations.

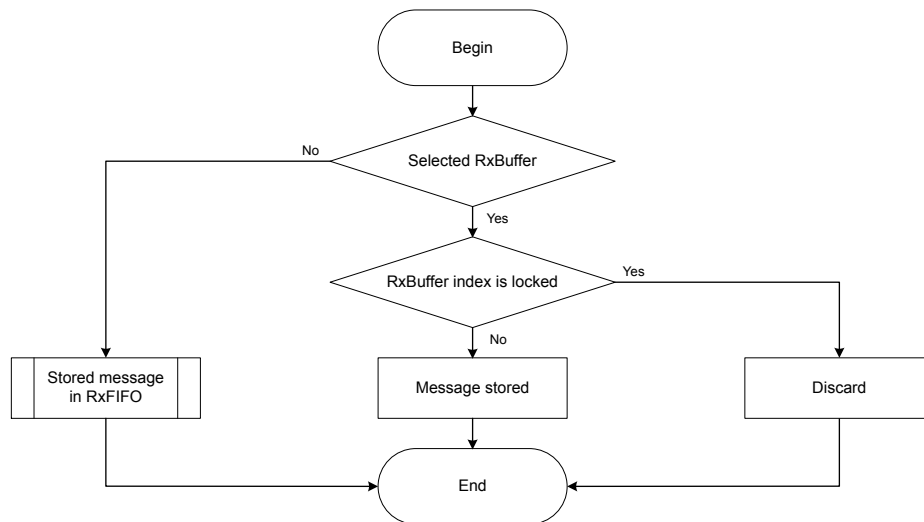
Example for the relative configuration of Rx buffer number to the Rx buffer index

In order to configure a filter element to reference an Rx buffer index 60, at least 61 Rx buffers must be configured.

Note: The user must choose the best configuration to avoid wasting the RAM.

The figure below presents a flowchart to simplify the operation of Rx buffer.

Figure 12. Simplified operation of Rx buffer



4.3.2.3 Differences between dedicated Rx buffer and Rx FIFO

As presented in the previous section, the FDCAN has two mechanisms: either a dedicated Rx buffer or Rx FIFO 0/1 can be configured to store a received element.

The differences between a dedicated Rx buffer and an Rx FIFO are described in the table below.

Table 6. Differences between dedicated Rx buffer and Rx FIFO

Feature	Dedicated Rx buffer	Rx FIFO
Sections to configure	64 dedicated Rx buffers can be configured .	Two Rx FIFO can be configured.
Elements per section	Configured to contain only one element per buffer	May contain one or more elements (up to 64 elements) per section
Position in the RAM	The user chooses the buffer index.	The position in the RAM is automatically and dynamically managed (using the incrementing of get/put index).
Discards newly arriving element configuration	Discards the newly arriving element when buffer is locked. <i>Note: The user must reset the corresponding bit in FDCAN_NDAT1/2.</i>	Discards the newly arriving element when Rx FIFO is full (blocking mode by default). <i>Note: Overwrite mode option to receive the new element and overwrite the oldest element.</i>

4.3.3 Transmission section

4.3.3.1 Tx event FIFO section

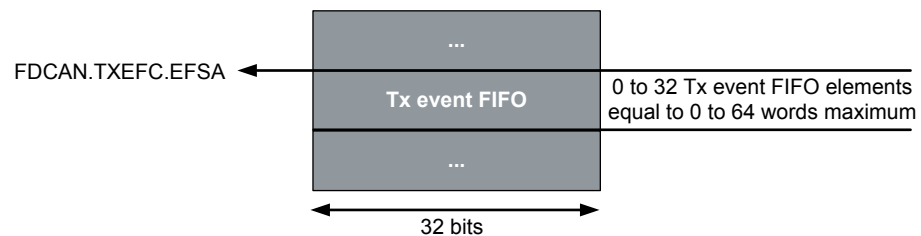
By using a Tx event FIFO, the CPU gets the following information about the sent elements:

- in which order the elements were transmitted
- the local time when the frame was transmitted for each element

The FDCAN provides a Tx event FIFO. The use of this Tx event FIFO is optional. After the FDCAN successfully transmitted an element on the CAN bus, it can store the message ID and the timestamp in a Tx event FIFO element. A Tx event FIFO element is a data structure that stores information about transmitted messages. The Tx event FIFO can be configured via the FDCAN_TXEFC register (Tx event FIFO configuration). The FIFO can store a maximum of up to 32 elements.

The following figure shows an example of a CAN message RAM where the Tx event FIFO elements are stored and the EFSA[13:0] field contains the start address.

Figure 13. Tx event FIFO section in the CAN message RAM



The address of a Tx event FIFO element in the CAN message RAM, is determined by the formula below:

Tx event FIFO element address = CAN_message_RAM_base_address + FDCAN_TXEFC.EFSA (start address) + FDCAN_TXEFC.EFGI (get index) x Tx_event_FIFO_element_size

To link a Tx event to a Tx event FIFO element, the message marker from the transmitted Tx buffer is copied into the Tx event FIFO element.

Events are stored in Tx event FIFO only if the EFC bit (store Tx events) in the Tx buffer element, equals 1.

When the Tx event FIFO is full, no further elements are written to the Tx event FIFO until at least one element is read out and the Tx event FIFO get index is incremented. If a Tx event occurs while the Tx event FIFO is full, this event is discarded. To avoid a Tx event FIFO overflow, the Tx event FIFO watermark can be used.

After the CPU read an element or a sequence of elements from the Tx event FIFO, the CPU must acknowledge the read. Therefore, it writes the index of the last element read from Tx event FIFO via the EFAI[4:0] field in the FDCAN_TXEFA register.

4.3.3.2 Tx buffer section

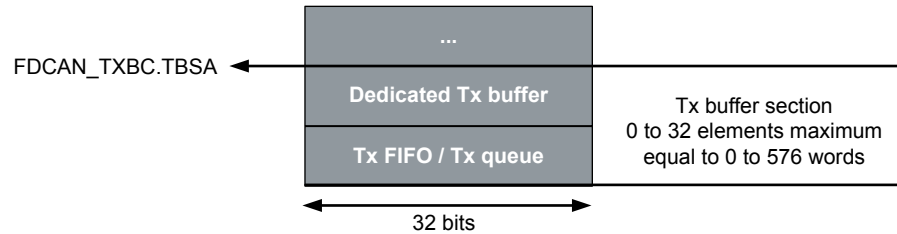
For a module to transmit an element, the element is formed within the defined memory space and the transmission is initiated. The transmitted elements are stored in the Tx buffer section where the user can choose the mechanism to be used: a dedicated Tx buffer and/or Tx queue or Tx FIFO.

Up to 32 elements are supported by the FDCAN. Each element stores the identifier, the DLC, the control bits (ESI, XTD, RTR, BRS, FDF), the data field, the bits field message marker and the event FIFO control bit of only one message.

The allocation on the RAM is done in the following order: if dedicated Tx buffers are used by the application, then they are allocated before the Tx FIFO and Tx queue. The user can choose only Tx queue or Tx FIFO in the same application: a combination of them is not supported by the FDCAN.

As indicated in the figure below, the start address of Tx buffer section is configured via the TBSA[13:0] field in the FDCAN_TXBC register.

Figure 14. Tx buffer section in CAN message RAM



Note: As indicated in the previous section, the allocation in the RAM is made in a dynamic and successive way so if the user does not configure a dedicated Tx buffer mechanism. The Tx buffer section contains only the configured Tx queue or Tx FIFO and it is stored in the start section address.

Dedicated Tx buffers

The number of dedicated Tx buffers are configured via the NTDB[5:0] field in the FDCAN_TXBC register. Each dedicated Tx buffer is configured with a specific identifier to store only one element. The transmission is requested by an *add request* via the FDCAN_TXBAR register. The requested messages arbitrate externally with messages on the CAN bus, and are sent out according to the lowest identifier (highest priority).

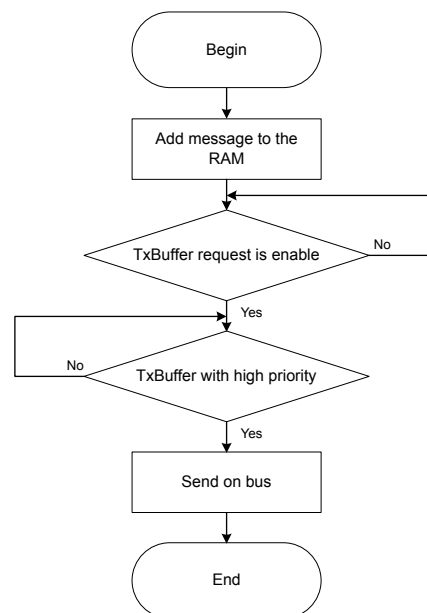
The memory requirements for the dedicated Tx buffers depend on the Tx buffer element size. The Tx buffer element size defines the number of data bytes belonging to a Tx buffer.

The address of a dedicated Tx buffer in the CAN message RAM is calculated using the formula below:

$$\text{Dedicated Tx buffer address} = \text{CAN_message_RAM_base_address} + \text{FDCAN_TXBC}[\text{TBSA}] \text{ (start address)} + \text{Tx_buffer_index} \times \text{Tx_buffer_element_size}$$

The following flow chart is used to simplify the operation of a transmission with the Tx buffer mechanism.

Figure 15. Transmission with Tx buffer mechanism



Note: If multiple dedicated Tx buffers are configured with the same ID, the Tx buffer with the first transmission request is transmitted first.

Tx FIFO

The Tx FIFO operation is configured by writing 0 to the TFQM bit in FDCAN_TXBC. The elements stored in the Tx FIFO are transmitted starting with the element referenced by the *get index* via the TFG1[4:0] field in FDCAN_TXFQS. After each transmission, the *get index* is incremented cyclically until the Tx FIFO buffer is empty. The Tx FIFO enables the transmission of elements in the order these elements have been written to the Tx FIFO. The transmission is independent of the priority of the respective identifiers because the first/oldest element in the FIFO is sent out first.

The FDCAN calculates the Tx FIFO buffer free level via the TFFL[5:0] field in FDCAN_TXFQS as a difference between *get* and *put* index (*get* and *set* index two mechanism increments each transaction to indicate the next buffer position on the RAM to read or write element). This value indicates the number of available (free) Tx FIFO elements.

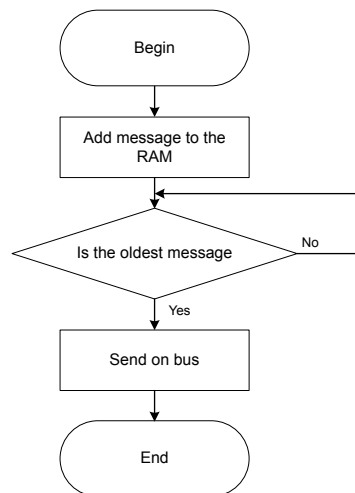
New transmit elements must be written to the Tx FIFO starting with the Tx buffer referenced by the *put* index indicated via the TFAQPI[4:0] field in FDCAN_TXFQS.

The address of the next free Tx FIFO buffer in the CAN message RAM is calculated with the below formula:

$$\text{Next free Tx FIFO buffer address} = \text{CAN_message_RAM_base_address} + \text{FDCAN_TXBC.TBSA (start address)} + \text{FDCAN_TXFQS.TFQPI (put Index)} \times \text{Tx_FIFO_element_size}$$

The following flow chart shows a simplified operation of the transmission with Tx FIFO mechanism.

Figure 16. Transmission with Tx FIFO mechanism



Tx queue

Tx queue operation is configured by writing 1 to the TFQM bit in FDCAN_TXBC. The elements stored in the Tx queue are transmitted starting with the Tx queue buffer with the lowest Identifier (highest priority).

In contrast to dedicated Tx buffers, the position on the RAM is automatically and dynamically managed so the message identifier is not fixed to a predefined Tx buffer index.

New messages have to be written to the Tx queue buffer referenced by the *put* index. An *add request* cyclically increments the *put* index to the next free Tx queue buffer. The fact that Tx queue is full is indicated by the TFQF bit set to 1 in FDCAN_TXFQS. No further element must be written to the Tx queue until at least one of the requested elements is sent out or a pending transmission request is cancelled.

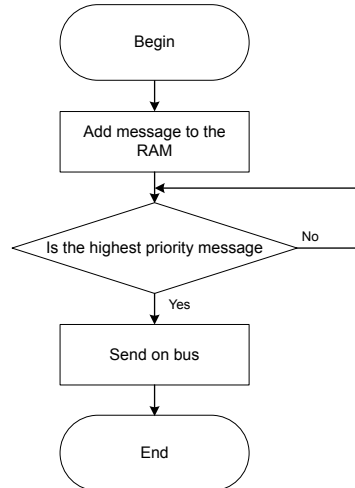
The memory requirements for the Tx queue buffer depend on the number of data bytes belonging to Tx queue element.

The address of a next available free Tx queue buffer in the CAN message RAM can be calculated by the following formula:

$$\text{Next free Tx queue buffer address} = \text{CAN_message_RAM_base_address} + \text{FDCAN_TXBC.TBSA (start address)} + \text{FDCAN_TXFQS.TFQPI (put index)} \times \text{Tx_Buffer_element_size}$$

The following flow chart shows a simplified operation of the transmission with Tx queue mechanism.

Figure 17. Transmission with Tx queue mechanism



Differences between dedicated Tx buffer, Tx FIFO and Tx queue

The differences between a dedicated Tx buffer, a Tx FIFO and a Tx queue are described in the table below.

Table 7. Differences between dedicated Tx buffer, Tx FIFO and Tx queue

Feature	Dedicated Tx buffer	Tx FIFO	Tx queue
Sections that can be configured	32 dedicated Tx buffers can be configured.	One Tx FIFO can be configured.	One Tx queue can be configured.
Elements per section	Tx buffer is configured to contain only one element per buffer.	May contain one or more elements per section (up to 32)	May contain one or more elements per section (up to 32)
Element to be sent first	Element with the lowest ID is sent first.	Elements transmitted in the FIFO order	Element with the lowest ID is sent first.
Behaviour if multiple elements with the same ID are present	The first transmission request is sent first.	No prioritization with identifier	FIFO order
Position in the RAM	User chooses the buffer index.	Automatically and dynamically managed (using the incrementing of <i>get</i> and <i>put</i> index)	
Pending elements management	Elements become pending after being added to the RAM or after the tx buffer request is enabled.	Elements become pending after being added to the RAM (the request is automatically enabled).	

Flexible transmission configuration

An efficient FDCAN supports mixed configurations to allow more flexibility on transmissions and to take the best advantage of each mechanism benefits. The supported mixed configurations are dedicated Tx buffer + Tx FIFO and dedicated Tx buffer + Tx queue.

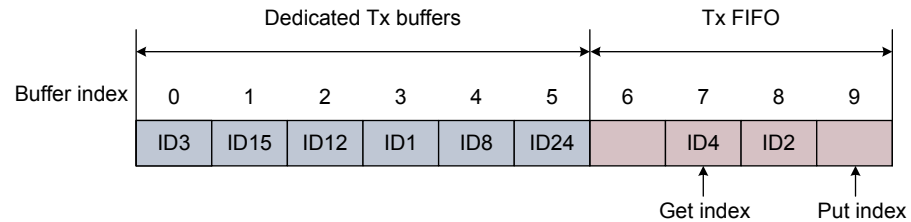
Mixed configuration: dedicated Tx buffers and Tx FIFO

The Tx buffer section of the CAN message RAM can be configured with a mixed configuration, where the Tx buffers section in the CAN message RAM is subdivided into a set of dedicated Tx buffers and a Tx FIFO. The number of dedicated Tx buffers is configured via NDTB[5:0] in FDCAN_TXBC. The number of Tx buffers assigned to the Tx FIFO is configured via TFQS[5:0] in FDCAN_TXBC.

The Tx handler scans all the dedicated Tx buffers with an activated transmission request and **the oldest pending Tx FIFO buffer** referenced by the *get* index. The buffer with the lowest identifier gets the highest priority and is transmitted next.

A use case using a mixed dedicated Tx buffer and a Tx FIFO is illustrated in the figure below.

Figure 18. Mixed configuration with dedicated Tx buffers and Tx FIFO



In this example, the elements are transmitted in the following order (assuming that all dedicated Tx buffers requests are enabled):

1. Tx buffer 3 (identifier = 1: it is the highest priority between all other dedicated Tx buffers and it has a higher priority than the oldest pending Tx FIFO: Tx buffer 7)
2. Tx buffer 0 (identifier = 3: it is the highest priority between all other dedicated Tx buffers and it has higher priority than the oldest pending Tx FIFO: Tx buffer 7)
3. Tx buffer 7 (because it is the oldest pending Tx FIFO with identifier =4 and has higher priority between all dedicated Tx buffers)
4. Tx buffer 8 (because it is the oldest pending Tx FIFO with identifier =2 and has the highest priority between all dedicated Tx buffers)
5. Tx buffer 4 (identifier = 8: it has the highest priority between all other dedicated Tx buffers and the Tx FIFO is empty)
6. Tx buffer 2 (identifier = 12: it has the highest priority between all other dedicated Tx buffers and the Tx FIFO is empty)
7. Tx buffer 1 (identifier = 15: it has the highest priority between all other dedicated Tx buffers and the Tx FIFO is empty)
8. Tx buffer 5 (because it is the only pending dedicated Tx buffer)

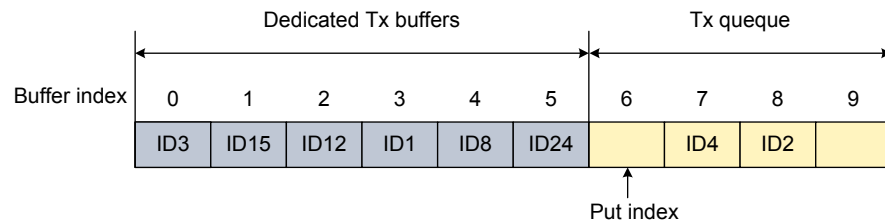
Mixed configuration: dedicated Tx buffers and Tx queue

The Tx buffer section of the CAN message RAM can be configured with a mixed configuration where the Tx buffers section in the CAN message RAM is subdivided into a set of dedicated Tx buffers and a Tx queue.

The number of dedicated Tx buffers is configured via NDTB[5:0] in FDCAN_TXBC and the number of Tx queue buffers is configured via TFQS[5:0] in FDCAN_TXBC.

The Tx handler scans all the dedicated Tx buffers with activated transmission request and the Tx queue buffers. The buffer with the lowest identifier gets the highest priority and is transmitted next.

A use case using a mixed dedicated Tx buffer and a Tx queue is illustrated in the figure below.

Figure 19. Mixed configuration with dedicated Tx buffers and Tx queue


In this example, the messages are transmitted in the following order (assuming that all dedicated Tx buffers request are enabled):

1. Tx buffer 3 (identifier = 1: it is the highest priority between all other Tx buffers)
2. Tx buffer 8 (identifier = 2: it is the highest priority between all other Tx buffers)
3. Tx buffer 0 (identifier = 3: it is the highest priority between all other Tx buffers)
4. Tx buffer 7 (identifier = 4: it is the highest priority between all other Tx buffers)
5. Tx buffer 4 (identifier = 8: it is the highest priority between all other Tx buffers)
6. Tx buffer 2 (identifier = 12: it is the highest priority between all other Tx buffers)
7. Tx buffer 1 (identifier = 15: it is the highest priority between all other Tx buffers)
8. Tx buffer 5 (because it is the only pending Tx buffer)

Note: The mixed configuration with Tx FIFO and Tx queue is not supported.

Differences between mixed configuration of dedicated buffer + Tx FIFO and mixed configuration of Tx buffer + Tx queue

The main differences between the mixed configurations Tx buffer + Tx queue and Tx buffer + Tx FIFO are presented in the table below.

Table 8. Differences between mixed Tx buffer + Tx FIFO and mixed Tx buffer + Tx queue configurations

Feature	Mixed configuration: Tx buffer + Tx queue	Mixed configuration: Tx buffer + Tx FIFO
Description	A combination of dedicated Tx buffers and Tx queue	A combination of dedicated Tx buffers and Tx FIFO
Element to be sent first	Element with the lowest ID between all dedicated Tx buffers and Tx queue	Element with the lowest ID between all dedicated Tx buffers and oldest element in Tx
Management of multiple elements with same ID	First request is sent first.	Order request FIFO

Note: In Tx FIFO + Tx queue, elements become pending just after the “add to the RAM” action.

4.3.4 Test modes

Within the operation mode of a FDCAN, several test modes are available besides the normal operation. There test modes must be used for production tests or self-test only and for the calibration unit.

The TEST bit in FDCAN_CCCR must be set to 1 to enable a write access to the FDCAN test register and the configuration of test modes and functions.

The FDCAN works in one of the following modes:

- Restricted-operation mode
- Bus-monitoring mode
- External loop-back mode
- Internal loop-back mode

4.3.4.1 **Restricted-operation mode**

In restricted-operation mode, the FDCAN is able:

- to receive data frames
- to receive remote frames
- to give acknowledge to valid frames

This mode does not support:

- data frames sending
- remote frames sending
- active error frames or overload frames sending

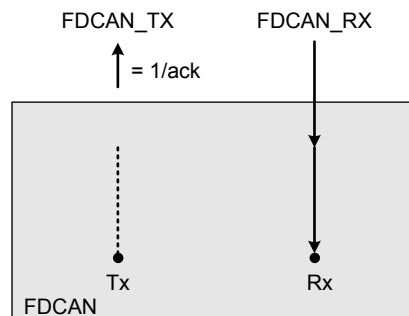
The FDCAN is set in the restricted-operation mode via the ASM bit in FDCAN_CCCR.

The restricted-operation mode is automatically entered when the Tx handler is not able to read data from the CAN message RAM on time or when the clock calibration is active.

In this mode, the application tests different bit rates and leaves the restricted-operation mode after the application received a valid frame.

The following figure illustrates the connection of FDCAN_TX and FDCAN_RX pins in restricted-operation mode.

Figure 20. Pin control in restricted-operation mode



Note: FDCAN_TX pin is recessive as long as FDCAN is in restricted-operation mode. A dominant bit is transmitted to acknowledge the reception of a valid frame.

4.3.4.2 **Bus-monitoring mode**

In order to analyze the traffic on the bus without affecting it by the transmission of dominant bits, the user can set the FDCAN in bus-monitoring mode via the MON bit in FDCAN_CCCR.

In bus-monitoring mode, the FDCAN is able:

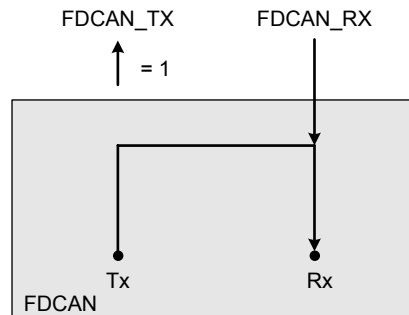
- to receive valid data frames
- to receive valid remote frames

This mode does not support:

- transmission start
- acknowledge to valid frames (difference versus the restricted-operation mode)

In the bus-monitoring mode, the FDCAN only sends recessive bits on the bus. The figure below shows the connection of FDCAN_TX and FDCAN_RX pins in bus-monitoring mode.

Figure 21. Pin control in bus-monitoring mode



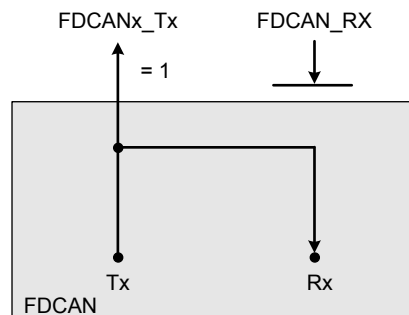
4.3.4.3 External loop-back mode

This mode is provided for hardware self-test. The user can set the FDCAN in external loop-back mode by writing 1 to the LBCK bit in FDCAN_TEST and by writing 0 to the MON bit in FDCAN_CCCR. The FDCAN treats its own transmitted messages as received messages and stores them if they pass the acceptance filtering in Rx FIFO.

In order to be independent from the external stimulation, the FDCAN ignores acknowledge errors (recessive bit sampled in the acknowledge slot). The FDCAN performs an internal feedback from its “transmit” output to its “receive” input.

The following figure shows the connection of FDCAN_TX and FDCAN_RX pins in external loop-back mode.

Figure 22. Pin control in external loop-back mode



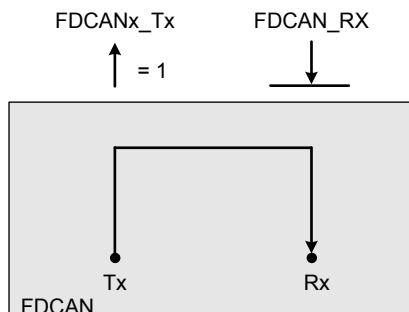
4.3.4.4 Internal loop-back mode

This mode is provided for hardware self-test. The user can set the FDCAN in internal loop-back mode via by writing 1 to the LBCK bit in FDCAN_TEST and by writing 1 to the MON bit in FDCAN_CCCR.

The FDCAN can be tested without affecting a running CAN system connected to the FDCAN_TX and FDCAN_RX pins. FDCAN_RX pin is disconnected from the FDCAN and FDCAN_TX pin is held recessive.

The figure below shows the connection of FDCAN_TX and FDCAN_RX pin in internal loop-back mode.

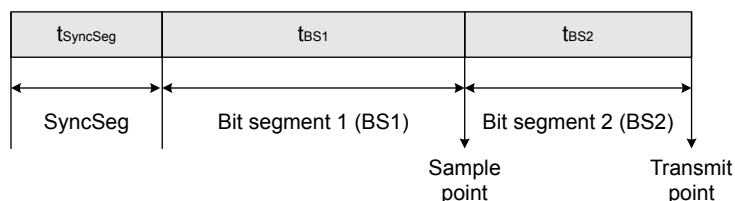
Figure 23. Pin control in internal loop-back mode



4.3.5 Transceiver delay compensation

At the sample point, all transmitters check whether the previously transmitted bit is sampled correctly. This mechanism is needed to check for problems and to detect other node error frames. Since the transmitter sees its own transmitted bits delayed by the transceiver loop delay, this delay sets a lower limit to the TSEG1 as shown in the figure below (time segment before sample point), that is also an upper limit to the data bit rate. This is the reason why the transceiver delay compensation mechanism (TDC) was introduced.

Figure 24. Bit timing



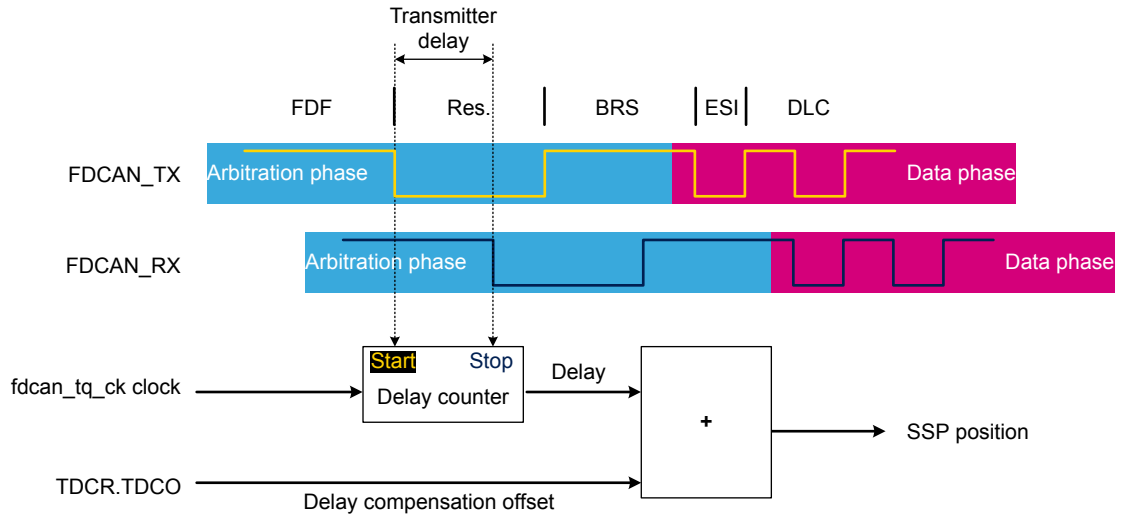
In order to compensate this loop delay when checking for bit errors, a secondary sample-point (SSP) is defined. Instead of being done at the sample point, the transmitted bits are checked at the SSP. The result of that check is stored until the next sample point is reached.

An SSP is generated for each bit transmitted in the data phase. Transceiver asymmetry and ringing on the bus have to be considered for the SSP position, but there is no clock tolerance, since the transceiver monitors its own bit stream.

The transceiver delay compensation is enabled by writing 1 to the TDC bit in FDCAN_DBTP. The measurement starts within each transmitted FDCAN frame before the beginning of the data phase (at the falling edge of the FDF bit to bit res). The measurement stops when this edge is seen at the “receive” input pin FDCAN_RX of the transmitter. The resolution of this measurement is 1 mtq (minimum time quantum).

The following figure presents the measurement of loop delay.

Figure 25. Loop delay measurement



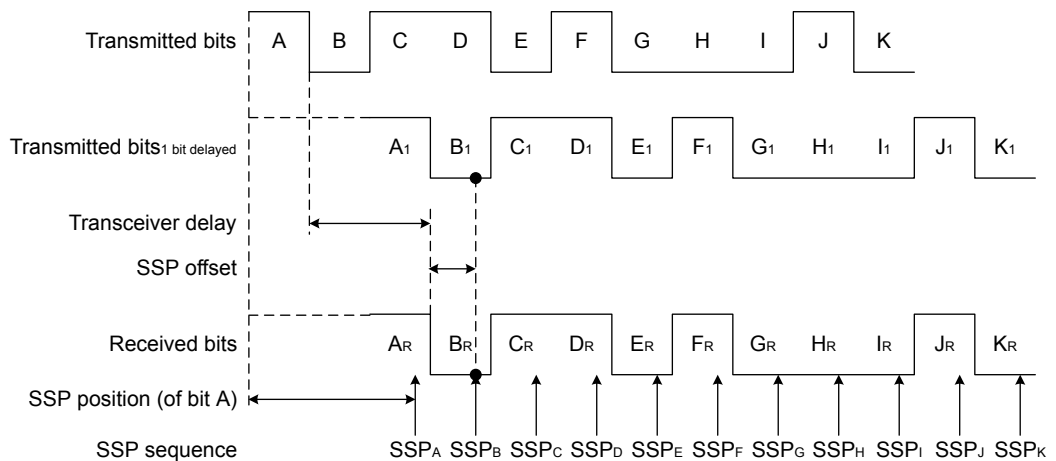
Note: During the arbitration phase, the delay compensation is always disabled.

The SSP position is defined as the sum of the measured delays from the FDCAN_TX pin to the FDCAN_RX pin, plus the transmitter delay compensation offset as configured via the TDCO[6:0] field in FDCAN_TDCR.

Note: The transmitter delay compensation offset is used to adjust the position of the SSP inside the received bit.

The value of a transmitted bit is stored until its SSP is reached, then it is compared with the actually received bit value, as in figure below, that shows a transmitted bit sequence A to K and a received bit sequence AR to KR, together with a sequence of SSPs from SSPA to SSPK. The received bit BR is checked at SSPB by comparing it with the delayed bit B1. The position of SSPB is at a specific time after the start of the transmitted bit B. This specific time is the sum of the measured transceiver delay and the configured SSP offset.

Figure 26. SSP position in transmit delay-compensation



As determined in Bosch documentation, the following boundary conditions have to be considered for the transmitter delay compensation implemented in the FDCAN:

- The sum of the measured delay from FDCAN_Tx to FDCAN_Rx and the configured transmitter delay compensation offset must be **less than six bit times** in the data phase.
- The sum of the measured delay from FDCAN_Tx to FDCAN_Rx and the configured transmitter delay compensation offset must be **less or equal 127 mtq**.

Note: If the sum exceeds 127 mtq, the maximum value (127 mtq) is used for transmitter delay compensation.

- The data phase ends at the sample point of the CRC delimiter that stops checking received bits at the SSPs.

The next part of this document explains the clock calibration unit with a description of its utility and operation.

4.3.6 Clock calibration on FDCAN

The FDCAN supports the clock calibration unit (CCU) feature. This feature allows a user to calibrate a FDCAN receiver (device) by a FDCAN transmitter (host). For example, when the FDCAN device communicates with the newest bitrate of the host.

This feature allows the user to add a new instance in the bus and the existence of the bitrate is unknown. It is also useful when the FDCAN receiver does not have a precise quartz (can cause an error on time).

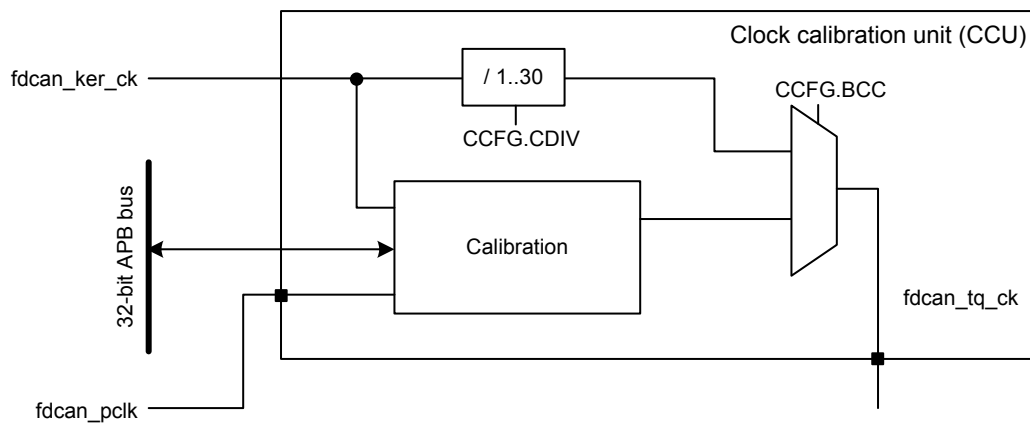
4.3.6.1 CCU description

The clock calibration unit is initialized via the FDCAN_CCU_CCFG register, that can be written only when both CCE and INIT bits are set to 1 in FDCAN_CCCR.

The CCU is only possible when the FDCAN operates in CAN 2.0 mode.

The clock calibration is bypassed when BCC = 1 in FDCAN_CCU_CCFG. The following figure shows the bypass operation.

Figure 27. Bypass operation of the CCU



4.3.6.2 CCU operating conditions

The CCU operates only when the FDCAN bitrate is between 125 Kbit/s and 1 Mbit/s.

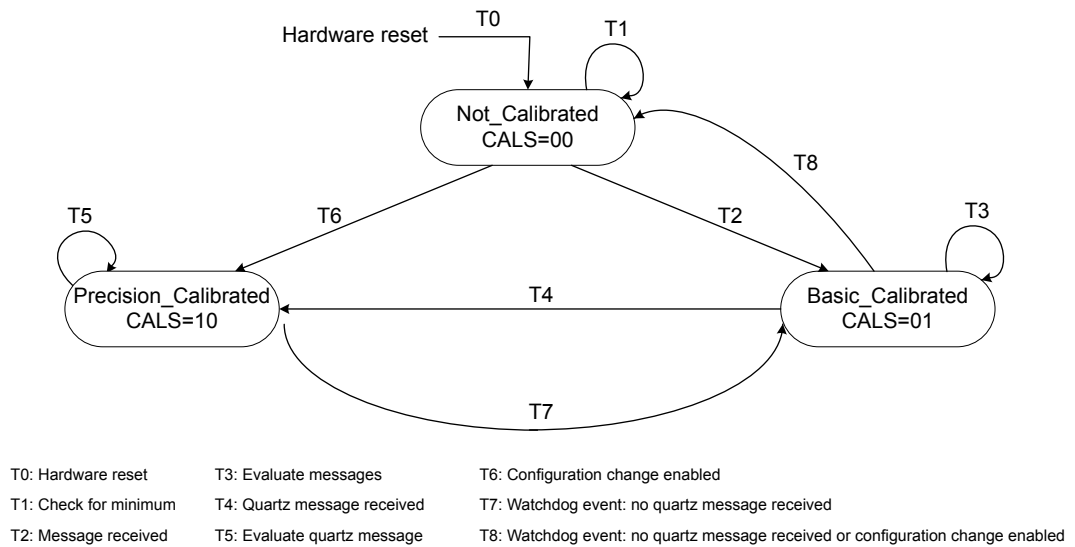
4.3.6.3 CCU functional description

The calibration of fdcan_tq_ck (time quanta clock) via CAN messages is performed by adapting a clock divider that generates the CAN protocol time quantum, tq, from the fdcan_ker_ck clock.

Calibration of the state machine

The calibration of the functional state machine is illustrated below.

Figure 28. Functional state machine calibration



Basic calibration

The minimum distance between two consecutive falling edges from recessive to dominant is measured. This measure assumes two CAN bit times counted in PLL clock periods. The clock divider is updated each time a new measurement finds a smaller distance between edges by the CDIV[3:0] field in FDCAN_CCU_CCFG. A basic calibration is achieved when the CAN protocol controller detects a valid CAN message.

Precision calibration

The calibration state machine measures the length of a longer bit sequence inside a CAN frame by counting the number of fdcan_ker_ck periods. The length of this bit sequence can be configured to 32 or 64 bits by the CFL bit in FDCAN_CCU_CCFG. Precision calibration is based on the new clock divider value, calculated from the measurement of the longer bit sequence.

Calibration frames are detected by the FDCAN acceptance filtering. A filter element and an Rx buffer must be configured in the FDCAN to identify and store the calibration messages.

If the fdcan_ker_clk calibration is done by software (evaluating the calibration status from CALS[1:0] field in FDCAN_CCU_CSTAT), the FDCAN must be set in restricted-operation mode until the calibration is in Precision_Calibrated state (no frame and no error or overload flag transmission, no error counting).

Note: After reception of a calibration message, the Rx buffer new data flag must be reset to enable signaling of the next calibration message.

The data field of the calibration message must be at least 1010 binary sequence to ensure that the device node can enter the Basic_Calibrated state, and that the host node messages are acknowledged.

Precision calibration can be performed only on valid CAN frames transmitted by a host node with a stable quartz-controlled clock. Precision calibration must be repeated in predefined maximum intervals supervised by the calibration watchdog.

Calibration watchdog

The calibration watchdog is a down counter, that starts in not Not_Calibrated state and that monitors the received messages.

When in Basic_Calibrated state, the calibration watchdog is restarted with each received message.

Note: In case no message is received until the calibration watchdog counted down to zero, the FSM calibration stays in Not_Calibrated state. The counter is reloaded and basic calibration restarts.

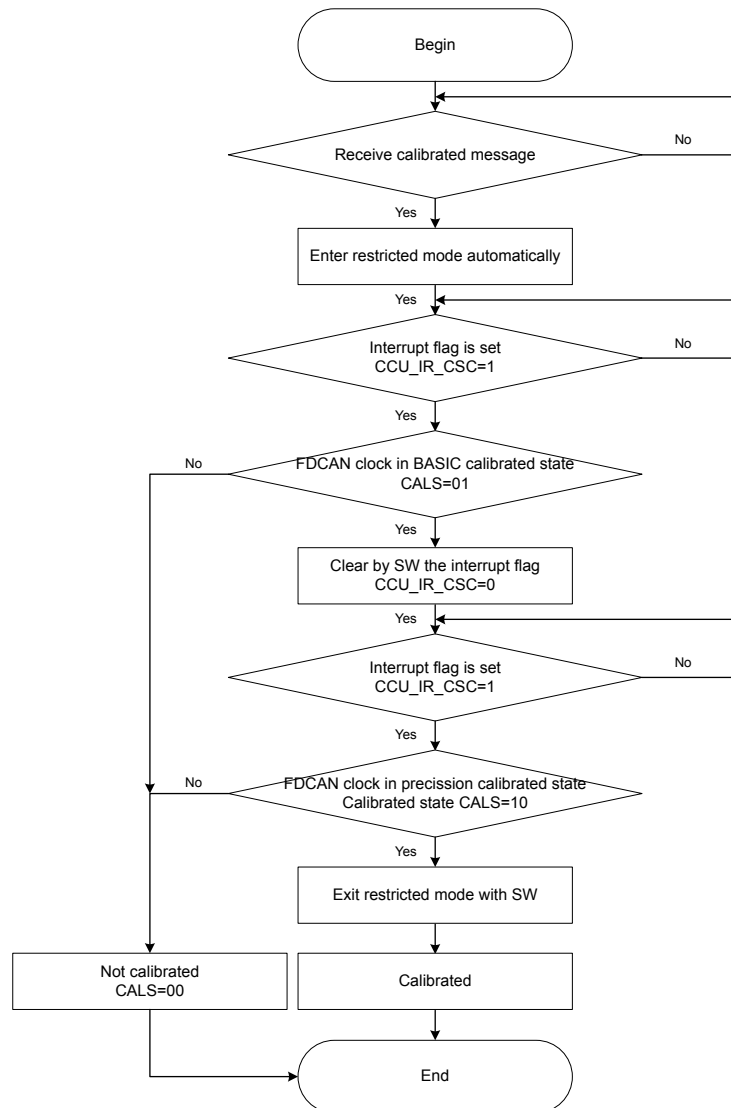
When Precision_Calibrated state is entered, the calibration watchdog is restarted. In this state, the calibration watchdog monitors the quartz message received.

Note: In case no message from a quartz-controlled node is received by the FDCAN until the calibration watchdog counted down to zero, the FSM calibration transits back to "Basic_Calibrated" state.

4.3.6.4 Calibration example

This example presents a use case to calibrate an FDCAN device (receiver) by an FDCAN host (transmitter). The following flow chart illustrates the steps through the FDCAN device before calibrating.

Figure 29. Steps to calibrate a FDCAN device



After the calibration passed successfully, the FDCAN device becomes ready for reception and transmission messages with the new FDCAN host bitrate.

5 FDCAN implementation improvements over BxCAN

The below table helps users to simplify the CAN 2.0 protocol upgrade to the CAN-FD protocol in STM32 devices. This table also specifies the improvements on the FDCAN.

The FDCAN offers many advantages over the traditional BxCAN (basic extended CAN), including faster data rates and the extension of the number of data bytes that decreases the frame overhead. The bus load can be also reduced. There is an increase on the number of messages in transmission and reception that requires an improvement of the RAM memory.

Table 9. FDCAN improvements over BxCAN

Features		Supported by BxCAN	Supported by FDCAN
Compatibility	Compatibility with BxCAN	Yes	Yes
	Compatibility with CAN-FD	No	No
	Remote frame	No	Supported to become compatible with BxCAN
Frame	Arbitration bitrate /data rate (in Mbit/s)	Up to 1 (only bitrate per frame)	Up to 1 /Up to 8
	Data length per frame (in bytes)	0 to 8	0 to 64
RAM	RAM	512 bytes	10 Kbytes
	Accessible RAM	No	Yes
Transmission	Dedicated Tx buffer/Tx queue/Tx FIFO	No/Yes/Yes Maximum three elements can be used as queue or FIFO.	Yes/Yes/Yes Maximum 32 elements: user chooses the transmit mechanism.
	Transmit pause	No	Yes
Reception	Dedicated Rx buffer/Rx FIFO	No/2 Up to three elements in each Rx FIFO Up to six elements maximum	64/2 Up to 64 elements in each Rx FIFO Up to 192 elements maximum
	Overwrite mode option	Overwrite the last element received in FIFO	Overwrite the oldest element in FIFO
	Improvements acceptance filters	Classical CAL (Can 2.0) acceptance filters	Some features are added as: <ul style="list-style-type: none"> Discards matching filter. Accepts non matching filters.
Other	Restricted test mode	No	Yes
	Transceiver delay compensation	No	Yes
	Clock calibration unit	No	Yes

BxCAN developers can easily migrate to FDCAN given its BxCAN compatibility and as the FDCAN can be implemented without imposing a revision of the entire system design. The FDCAN contains all BxCAN features in an improved matter and meets the requirements for the new applications.

Revision history

Table 10. Document revision history

Date	Version	Changes
4-Oct-2019	1	Initial release.
21-Feb-2023	2	Updated the title of the document. Updated the Table 1. Applicable products . Updated the Section 4: Implementation of CAN-FD in STM32 devices .
06-Mar-2024	3	Updated: <ul style="list-style-type: none"> • Figure 1. Standard CAN-FD frame • Section 3.1: Frame architecture comparison between CAN-FD and CAN 2.0

Contents

1	General information	2
2	CAN-FD protocol overview	3
2.1	CAN-FD features	3
2.2	CAN-FD format	3
3	Improvements and benefits of CAN-FD over CAN 2.0	5
3.1	Frame architecture comparison between CAN-FD and CAN 2.0	5
4	Implementation of CAN-FD in STM32 devices	7
4.1	FDCAN peripheral main features	7
4.2	RAM management	8
4.2.1	RAM organization	8
4.2.2	Multiple FDCAN instances	11
4.3	RAM sections	12
4.3.1	RAM filtering sections	12
4.3.2	Reception section	14
4.3.3	Transmission section	18
4.3.4	Test modes	23
4.3.5	Transceiver delay compensation	26
4.3.6	Clock calibration on FDCAN	28
5	FDCAN implementation improvements over BxCAN	32
	Revision history	33
	List of tables	35
	List of figures	36

List of tables

Table 1.	Applicable products	1
Table 2.	Payload data length codes (bytes)	6
Table 3.	Main differences between CAN-FD and CAN 2.0	6
Table 4.	“Element” size number depending on data field range.	9
Table 5.	Standard filter element configuration	14
Table 6.	Differences between dedicated Rx buffer and Rx FIFO	17
Table 7.	Differences between dedicated Tx buffer, Tx FIFO and Tx queue	21
Table 8.	Differences between mixed Tx buffer + Tx FIFO and mixed Tx buffer + Tx queue configurations	23
Table 9.	FDCAN improvements over BxCAN	32
Table 10.	Document revision history	33

List of figures

Figure 1.	Standard CAN-FD frame	3
Figure 2.	Frame architecture of CAN-FD versus CAN 2.0	5
Figure 3.	FDCAN block diagram	7
Figure 4.	CAN message RAM mapping	8
Figure 5.	RAM mapping example for an efficient use of the CAN message RAM	10
Figure 6.	Example of CAN message RAM with multiple FDCAN instances	11
Figure 7.	CAN message RAM filters section	12
Figure 8.	Global flow chart of acceptance filter	13
Figure 9.	Rx FIFO section in CAN message RAM	15
Figure 10.	Simplified operation of Rx FIFO	16
Figure 11.	Rx buffer section on CAN message RAM	16
Figure 12.	Simplified operation of Rx buffer	17
Figure 13.	Tx event FIFO section in the CAN message RAM	18
Figure 14.	Tx buffer section in CAN message RAM	19
Figure 15.	Transmission with Tx buffer mechanism	19
Figure 16.	Transmission with Tx FIFO mechanism	20
Figure 17.	Transmission with Tx queue mechanism	21
Figure 18.	Mixed configuration with dedicated Tx buffers and Tx FIFO	22
Figure 19.	Mixed configuration with dedicated Tx buffers and Tx queue	23
Figure 20.	Pin control in restricted-operation mode	24
Figure 21.	Pin control in bus-monitoring mode	25
Figure 22.	Pin control in external loop-back mode	25
Figure 23.	Pin control in internal loop-back mode	26
Figure 24.	Bit timing	26
Figure 25.	Loop delay measurement	27
Figure 26.	SSP position in transmit delay-compensation	27
Figure 27.	Bypass operation of the CCU	28
Figure 28.	Functional state machine calibration	29
Figure 29.	Steps to calibrate a FDCAN device	30

IMPORTANT NOTICE – READ CAREFULLY

STMicroelectronics NV and its subsidiaries (“ST”) reserve the right to make changes, corrections, enhancements, modifications, and improvements to ST products and/or to this document at any time without notice. Purchasers should obtain the latest relevant information on ST products before placing orders. ST products are sold pursuant to ST’s terms and conditions of sale in place at the time of order acknowledgment.

Purchasers are solely responsible for the choice, selection, and use of ST products and ST assumes no liability for application assistance or the design of purchasers’ products.

No license, express or implied, to any intellectual property right is granted by ST herein.

Resale of ST products with provisions different from the information set forth herein shall void any warranty granted by ST for such product.

ST and the ST logo are trademarks of ST. For additional information about ST trademarks, refer to www.st.com/trademarks. All other product or service names are the property of their respective owners.

Information in this document supersedes and replaces information previously supplied in any prior versions of this document.

© 2024 STMicroelectronics – All rights reserved