

White LED power supply for large display backlight

Introduction

This application note is dedicated to the STLD40D, it's a boost converter that operates from 3.0 V to 5.5 V dc and can provide an output voltage as high as 37 V_{DC} and can drive up to 10 white LEDs in series.

Figure 1. Package

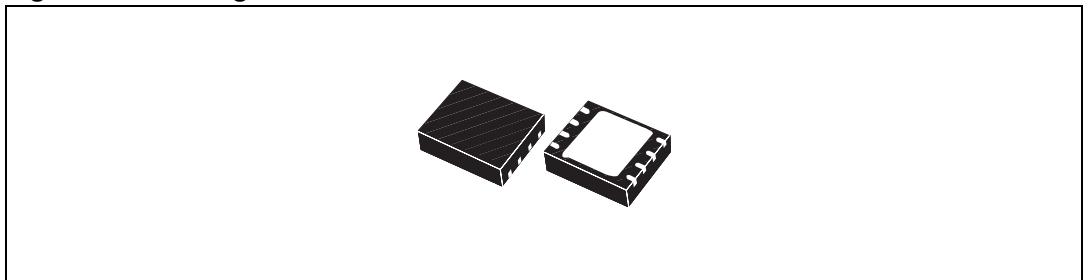
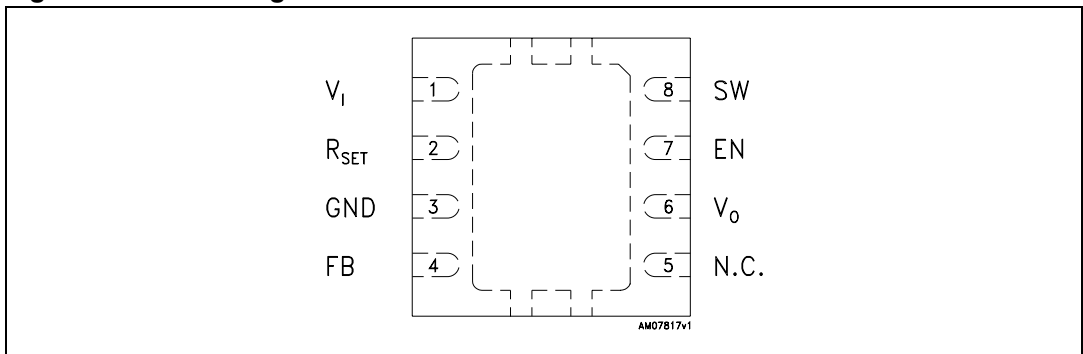


Figure 2. Pin configuration



Contents

1	Schematic description	3
1.1	Application schematic	3
2	Selection of external components	4
2.1	Input and output capacitor selection	4
2.2	Inductor selection	4
2.3	LED selection	4
3	PCB design	7
3.1	PCB design rules	7
4	Revision history	8

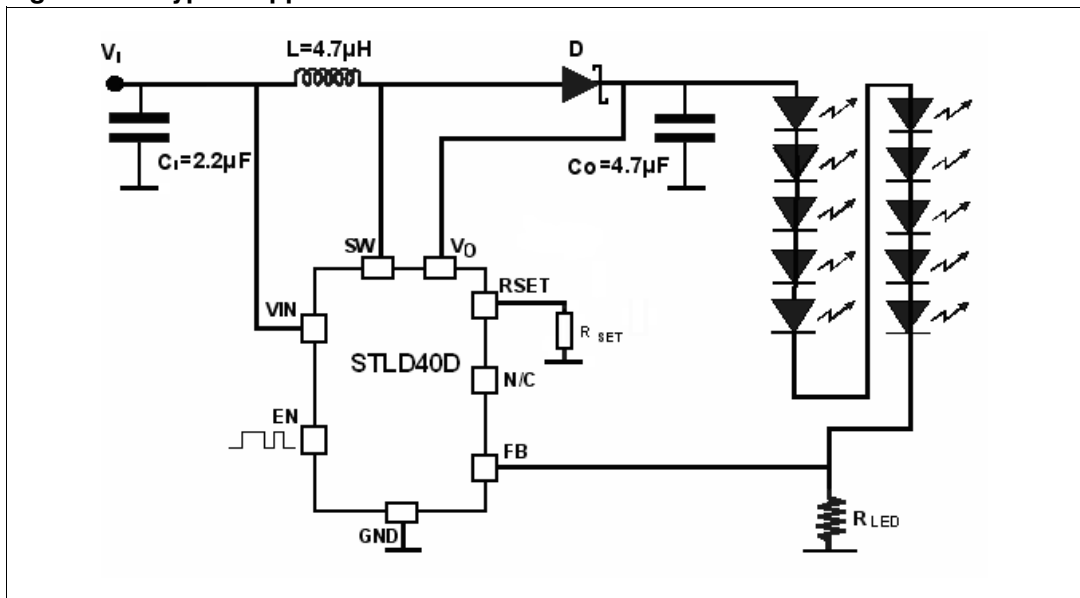
1 Schematic description

The converter is a PFM (pulse frequency modulation) inductor switcher and can work in discontinuous (DCM) as well as continuous (CCM) Mode operation. The output current capability is 20 mA with an output voltage of 37Vdc. The regulation is done by sensing the LED current through resistor R_{LED} . The device can be turned ON/OFF through the logic enable signal pin EN. By applying a low frequency PWM signal the WLEDs can be dimmed.

The maximum peak inductor current can be programmed by connecting a resistor R_{SET} to pin R_{SET} .

1.1 Application schematic

Figure 3. Typical application schematic



2 Selection of external components

2.1 Input and output capacitor selection

For input and output capacitor it is recommended to use a ceramic capacitor with low ESR. For good stability of the device supplied by a low input voltage of 3.0 V at maximum ratings of output power, it is recommended to use 2.2 μF / 6.3 V as a minimum value of input capacitor and 4.7 μF / 40 V as a minimum value of output capacitor.

2.2 Inductor selection

Shielded thick inductor with low DC series resistance of wiring is recommended for this application. For good efficiency it is recommended to use inductor with series DC resistance $R_{\text{DCL}} = R_{\text{D}}/10$, [Ω ; 1, Ω] where R_{D} is the dynamic resistance of the LED [Ω ; 1, Ω]. For nominal operation, the peak inductor current can be calculated by this formula:

Equation 1

$$\frac{\frac{I_{\text{OUT}}}{n} + (V_{\text{OUT}} - V_{\text{IN}})^2}{(2 \cdot L \cdot F \cdot V_{\text{OUT}}^2)} \cdot V_{\text{IN}}$$

Where:

- I_{PEAK} Peak inductor current
- I_{OUT} Current sourced at the V_{OUT} pin
- n Efficiency of the STLD40D
- V_{OUT} Output voltage at pin V_{OUT}
- V_{IN} Input voltage at pin V_{IN}
- L Inductance value of the inductor
- F Switching frequency

2.3 LED selection

All LEDs with forward voltage from 2.7 V to 5 V are feasible for use with device STLD40D. The LED forward voltage must include the voltage spread of this value. The current in the LED can be set through the sensing resistor value.

Table 1. Recommended components

Symbol	Description	Parameter	Value			Unit
			Min.	Typ.	Max	
D	Boost schottky diode	VRRM	40			V
		V_F at $I_F = 300$ mA, $T_J = 25$ °C			0.5	V
		I_R at $V_R = 10$ V, $T_J = 25$ °C			30	μA
	STPS1L40M	VRRM	40			V
		V_F at $I_F = 1$ A, $T_J = 25$ °C			0.46	V
		I_R at $V_R = 20$ V, $T_J = 25$ °C			21	μA
R_{LED}	Feedback LED current regulation resistor	$I_{LED}=20$ mA		8		W
C_{in}	Input ceramic capacitor, low ESR	Ceramic type		2.2		μF
C_{out}	Output ceramic capacitor, low ESR	Capacitance	4.7			μF
		Voltage	40			V
		ESR			1.6	W
L	Boost inductor (height<2mm)	Inductance			4.7	μF
		DCR			1	W
		$I_{satRSET=GND}$			1	A

Figure 4. I_{LED} vs. R_{LED}

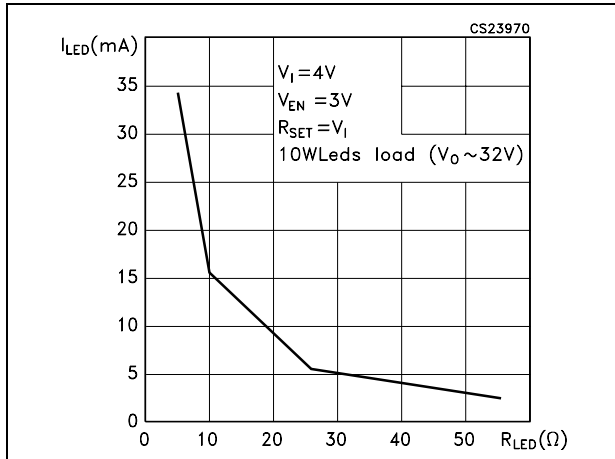


Figure 5. I_{LIMIT} vs. R_{SET}

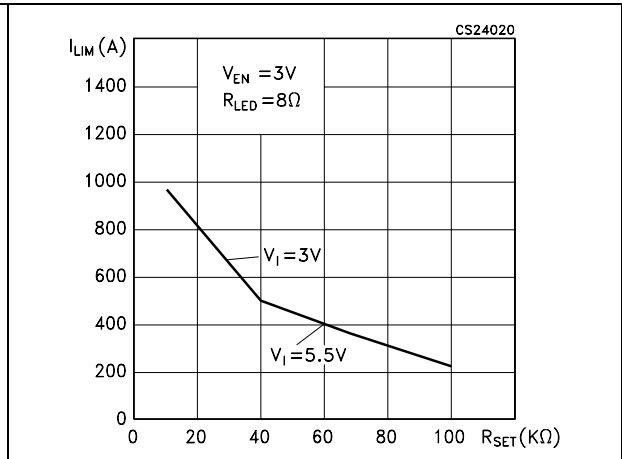


Figure 6. γ vs. V_I

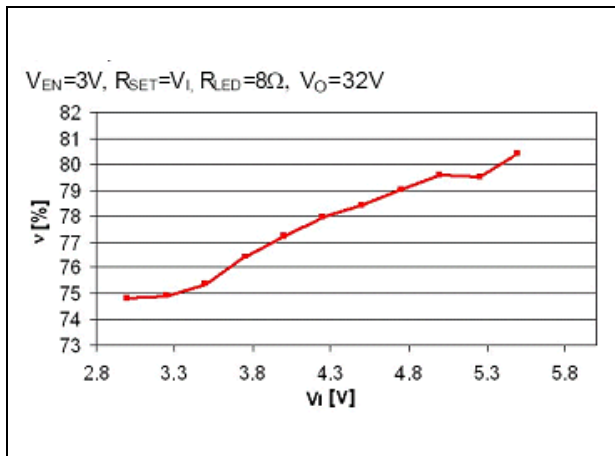
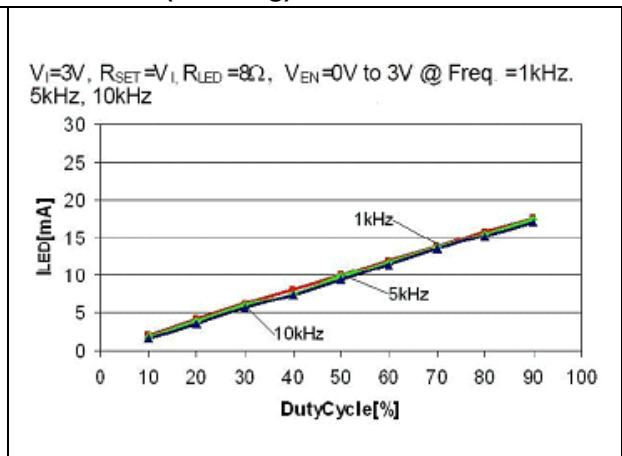


Figure 7. I_{LED} vs. duty cycle EN pin (dimming)

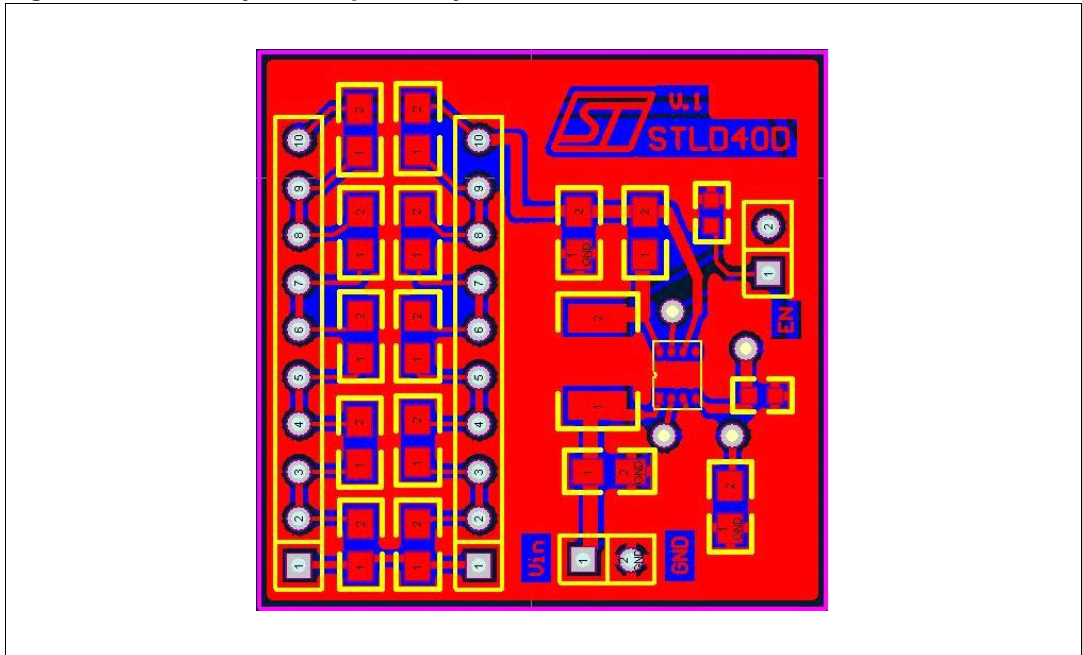


3 PCB design

3.1 PCB design rules

STLD40D is a powerful switched device. The PCB must be designed in line with the rules for designing switched supplies. The power windings must be as short as possible and wide, because of large current. It is recommended to use a dual layer PCB minimal. Place all external components close to the STLD40D. Also switched high-energy loops should be as small as possible to reduce EMI.

Figure 8. PCB layout - Top overlay view



4 Revision history

Table 2. Document revision history

Date	Revision	Changes
20-Mar-2006	1	Initial release
19-May-2006	2	Minor text changes
01-Jun-2011	3	Modified: Table 1 on page 5

Please Read Carefully:

Information in this document is provided solely in connection with ST products. STMicroelectronics NV and its subsidiaries ("ST") reserve the right to make changes, corrections, modifications or improvements, to this document, and the products and services described herein at any time, without notice.

All ST products are sold pursuant to ST's terms and conditions of sale.

Purchasers are solely responsible for the choice, selection and use of the ST products and services described herein, and ST assumes no liability whatsoever relating to the choice, selection or use of the ST products and services described herein.

No license, express or implied, by estoppel or otherwise, to any intellectual property rights is granted under this document. If any part of this document refers to any third party products or services it shall not be deemed a license grant by ST for the use of such third party products or services, or any intellectual property contained therein or considered as a warranty covering the use in any manner whatsoever of such third party products or services or any intellectual property contained therein.

UNLESS OTHERWISE SET FORTH IN ST'S TERMS AND CONDITIONS OF SALE ST DISCLAIMS ANY EXPRESS OR IMPLIED WARRANTY WITH RESPECT TO THE USE AND/OR SALE OF ST PRODUCTS INCLUDING WITHOUT LIMITATION IMPLIED WARRANTIES OF MERCHANTABILITY, FITNESS FOR A PARTICULAR PURPOSE (AND THEIR EQUIVALENTS UNDER THE LAWS OF ANY JURISDICTION), OR INFRINGEMENT OF ANY PATENT, COPYRIGHT OR OTHER INTELLECTUAL PROPERTY RIGHT.

UNLESS EXPRESSLY APPROVED IN WRITING BY AN AUTHORIZED ST REPRESENTATIVE, ST PRODUCTS ARE NOT RECOMMENDED, AUTHORIZED OR WARRANTED FOR USE IN MILITARY, AIR CRAFT, SPACE, LIFE SAVING, OR LIFE SUSTAINING APPLICATIONS, NOR IN PRODUCTS OR SYSTEMS WHERE FAILURE OR MALFUNCTION MAY RESULT IN PERSONAL INJURY, DEATH, OR SEVERE PROPERTY OR ENVIRONMENTAL DAMAGE. ST PRODUCTS WHICH ARE NOT SPECIFIED AS "AUTOMOTIVE GRADE" MAY ONLY BE USED IN AUTOMOTIVE APPLICATIONS AT USER'S OWN RISK.

Resale of ST products with provisions different from the statements and/or technical features set forth in this document shall immediately void any warranty granted by ST for the ST product or service described herein and shall not create or extend in any manner whatsoever, any liability of ST.

ST and the ST logo are trademarks or registered trademarks of ST in various countries.

Information in this document supersedes and replaces all information previously supplied.

The ST logo is a registered trademark of STMicroelectronics. All other names are the property of their respective owners.

© 2011 STMicroelectronics - All rights reserved

STMicroelectronics group of companies

Australia - Belgium - Brazil - Canada - China - Czech Republic - Finland - France - Germany - Hong Kong - India - Israel - Italy - Japan - Malaysia - Malta - Morocco - Philippines - Singapore - Spain - Sweden - Switzerland - United Kingdom - United States of America

www.st.com

