

---

## Solution for 150 W half bridge resonant DC-DC converter

---

### Introduction

This application note describes a 150 W Half bridge resonant DC-DC converter. This type of SMPS is highly attractive due to its high achievable efficiency, very low noise and compact size.

Resonant converters are among the least common SMPS topologies. There are several reasons why they are not often used, but we will not discuss these reasons in this application note. However, it is worth noting that the resonant topologies have undeniable advantages over the "hard switching" topologies. The very high achievable efficiency of over 90% and up to 95% is very common, as well as their low generated noise due to ZVS (zero voltage switching) and resonant energy transfer.

Other related advantages derived from these converters are their compact size due to their need for smaller power switches (Power MOSFETs usually), smaller transformers, and less generated heat (the lower losses are a part of this). Less heat means a smaller heat sink and a longer life for power components.

If the necessary care is taken in the design phase, the results are very good and the typical issues normally associated with these topologies are avoided.

ST's L6598 half bridge driver has been chosen for this design. Please refer to the L6598 datasheet for full specifications and capabilities, or to other documentation, application notes and books where it is used, in order to have the best picture of this design. All references are provided in [Figure 7](#).

This application note concentrates only on the power aspects, because as already mentioned, there are excellent guides for the driver (aside from the datasheet) as well as application notes for SMPS in general, magnetics, topologies, etc.

# Contents

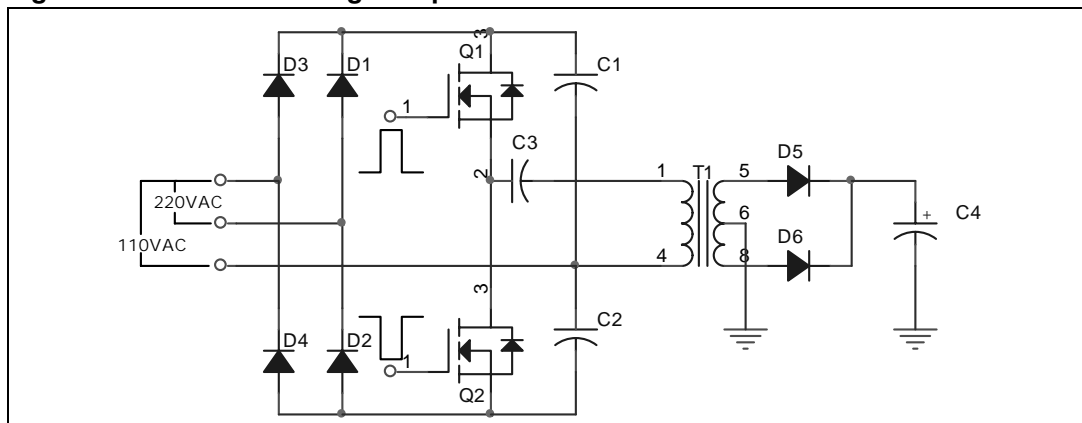
1	<b>Functional overview</b> .....	3
2	<b>Operational frequencies</b> .....	6
3	<b>Transformer and resonant components</b> .....	7
	3.1 Transformer .....	7
4	<b>Converter's protection schemes, overcurrent, overvoltage</b> .....	7
5	<b>Full load, normal operation waveforms</b> .....	9
6	<b>Conclusion</b> .....	11
7	<b>References</b> .....	12
8	<b>Revision history</b> .....	12

# 1 Functional overview

The simplest way of describing the functioning of a resonant converter is to compare it with a non-resonant type. Typically a "normal" half bridge transformer is connected to the principal DC bus through a capacitive divider network that creates a "false" ground to feed one of the transformer's ends (*Figure 1*). In this way, the transformer is fed with a voltage that swings (from the transformer's point of view) from zero to negative, negative to zero, zero to positive, then back to zero (therefore repeating the cycle).

The mains DC bus is connected as noted in *Figure 1* for 110 V<sub>ac</sub> or 220 V<sub>ac</sub>. The operation is quite straightforward alternating the turn-on of each transistor.

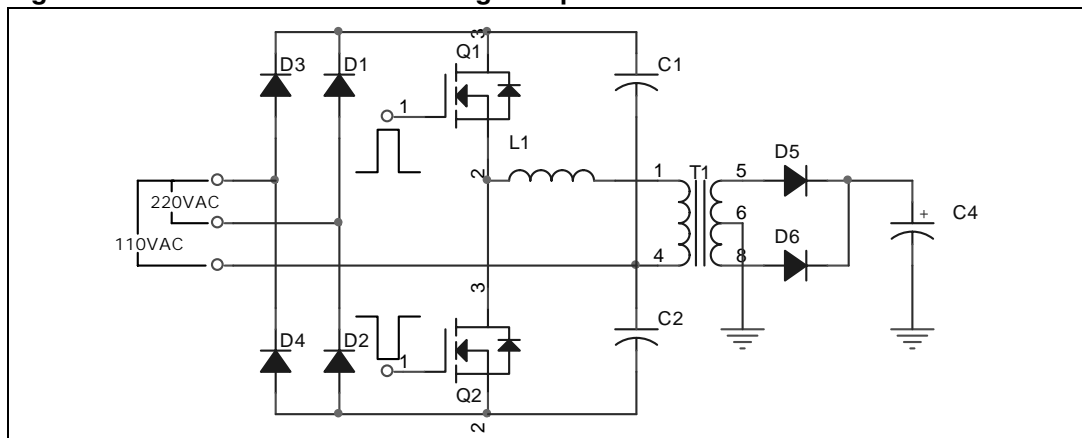
**Figure 1. SMPS half bridge simplified schematic**



The resonant variation for this type of converter places an "external" inductor to cause a resonance between the capacitive divider network and the external inductor (*Figure 2*), which sums up to the already present leakage inductance of the main transformer.

These components are the ones that require most of the care for this variation of the converter. Nevertheless, remember that every aspect of the design stage has an impact on the overall behavior of the converter.

**Figure 2. Resonant SMPS half bridge simplified schematic**



*Table 1* gives the BOM (Bill of materials) for this converter. Most of the capacitors do not have an operating voltage, as they operate in low voltage. As for the driver, any voltage

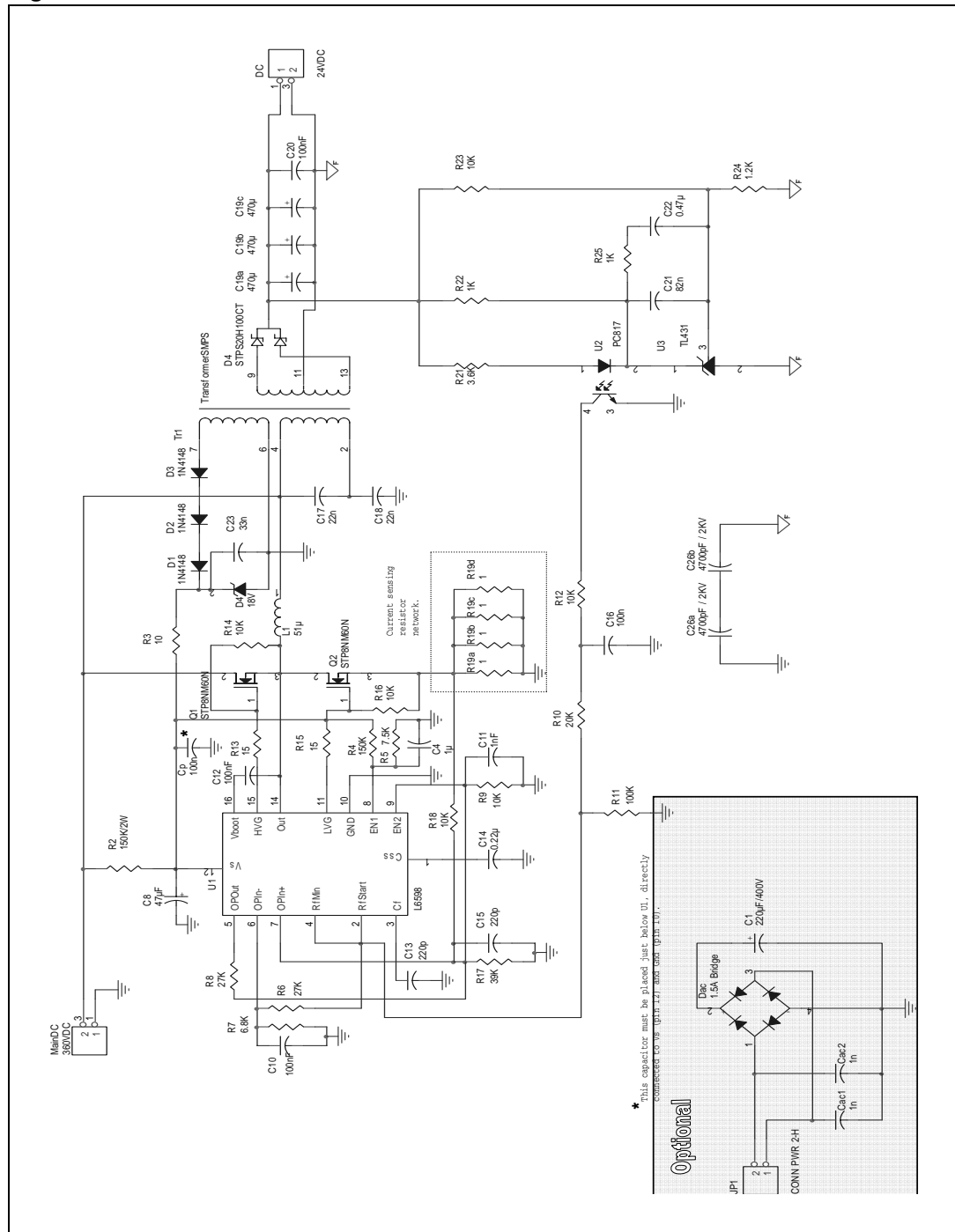
greater than or equal to 16 V is acceptable. The construction details of L1 and Tr1 are discussed later.

**Table 1. Bill of materials (BOM)**

Qty.	Ref.	Part	Qty.	Ref.	Part	Qty.	Ref.	Part
1	AC	220 V <sub>ac</sub> Conn.	1	C22	0.47 $\mu$		R16	10 K $\Omega$
2	Cac1	1 nF/400 V	2	C26b	4700 pF / 2 KV		R18	10 K $\Omega$
	Cac2	1 nF/400 V		C26a	4700 pF / 2 KV		R23	10 K $\Omega$
1	C1	220 $\mu$ F / 400 V	1	DC	24VDC	1	R10	20 K $\Omega$
1	C4	1 $\mu$	1	D1	W08G	1	R11	100 K $\Omega$
1	C8	47 $\mu$ F	1	D2	STPS20H100CT	2	R13	15
3	C10	100 nF	1	D3	1N4148		R15	15
	C12	100 nF	1	D4	18 V	1	R17	39 K $\Omega$
	C20	100 nF	1	L1	51 $\mu$	4	R19d	1
1	C11	1 nF	2	Q2	STP8NM60N		R19c	1
2	C15	220 p		Q1	STP8NM60N		R19b	1
	C13	220 p	1	R2	150 K $\Omega$ /2 W		R19a	1
1	C14	0.22 $\mu$	1	R3	10	1	R21	3.6 K $\Omega$
1	C16	100 n	1	R4	150 K $\Omega$	2	R25	1 K $\Omega$
3	C17	33 n	1	R5	7.5 K $\Omega$		R22	1 K $\Omega$
	C18	33 n	2	R8	27 K $\Omega$	1	R24	1.2 K $\Omega$
	C23	33 n		R6	27 K $\Omega$	1	Tr1	Transformer
3	C19c	470 $\mu$	1	R7	6.8 K $\Omega$	1	U1	L6598
	C19b	470 $\mu$	6	R9	10 K $\Omega$	1	U2	PC817
	C19a	470 $\mu$		R12	10 K $\Omega$	1	U3	TL431
1	C21	82 n		R14	10 K $\Omega$			

Refer to [Figure 3](#) for the full electrical schematic of this converter.

Figure 3. Converter's full electrical schematic



## 2 Operational frequencies

*Figure 3* shows a gray area with a note "optional". This rectifying stage is not really necessary as it was done for testing and measuring purposes.

More explanations and clarifications are provided as we go through this design.

Much of the basis for this application note was taken from another ST application note, mainly AN1660 (ZVS resonant converter for consumer application using L6598 IC), which is a 180 W ZVS resonant converter. As stated in AN1660 (ZVS resonant converter for consumer application using L6598 IC) you must "choose" some operational parameters that are recalculated after real component values have been chosen. Only your experience with this kind of SMPS can guide you.

For this case the following values have been chosen:

- $F_{\text{start}} = 300 \text{ kHz}$
- $F_{\text{min}} = 70 \text{ kHz}$
- $F_r = 35 \text{ kHz}$

The frequency values have been chosen keeping in mind that 300 kHz ( $F_{\text{start}}$ ) is quite close to the driver's maximum operational frequency. Therefore, we leave the converter much "room" to change its operational frequency (via the feedback) so the regulation does not suffer because of a range that is too restrictive.

The calculations for  $R_{f_{\text{min}}}$  (R11) and  $R_{f_{\text{start}}}$  (R6);  $C_f$  is C13 (220 pF) in our case, are shown below:

### Equation 1

$$R_{f_{\text{min}}} = \frac{1.41}{F_{\text{min}} \cdot C_f} = 91.56 \text{ K}\Omega (\sim 100 \text{ K}\Omega)$$

### Equation 2

$$R_{f_{\text{start}}} = \frac{1.41}{(F_{\text{start}} - F_{\text{min}}) \cdot C_f} = 27.27 \text{ k}\Omega (\sim 27 \text{ k}\Omega)$$

Recalculating  $F_{\text{min}}$  &  $F_{\text{start}}$  with actual values of  $R_{f_{\text{min}}}$  &  $R_{f_{\text{start}}}$ :

### Equation 3

$$F_{\text{min}} = \frac{1.41}{R_{f_{\text{min}}} \cdot C_f} = 64.09 \text{ kHz}$$

### Equation 4

$$F_{\text{start}} = \frac{1.41}{R_{f_{\text{start}}} \cdot C_f} + F_{\text{min}} = 237.4 \text{ kHz}$$

### 3 Transformer and resonant components

In order to avoid the majority of the most difficult problems related to resonant converters, great care must be taken in the design of those components whose primary task is to transfer the energy from the rectified line to the load. These components are the transformer, external inductor, capacitor divider network and the power switches.

Several "methods" and approaches have been taken into account in order to calculate the power transformer and the external inductor (refer to [Section 7: References](#) at the end of this application note). AN1660 forms the basis for this application note and provides calculations for this objective.

The objective of this application note is to take a closer look at the power stage, so that just the final results for the transformer and the external inductor are shown. However, it is important to notice that the transformer's type (material, size and shape) plays one of the main roles in any converter. For resonants, the coil type is important also.

[Table 2](#) gives transformer and coil data. Litz wires have been used.

#### 3.1 Transformer

- Brand: Epcos
- Type: ETD34
- Material: N67

**Table 2. Tr1 Transformer's windings details**

	Turns	Wires	Wire's diameter [mm]
Primary	50	14	0.2
Secondary	14	38	0.2
Aux.	3	1	0.2

### 4 Converter's protection schemes, overcurrent, overvoltage

Overcurrent and overvoltage protection features can be added easily thanks to the pins of the L6598 controller. In this section we show how to calculate these values according to the operational parameters chosen.

Again, refer to AN1660 (ZVS resonant converter for consumer application using L6598 IC) or use your own "method" to calculate the peak current. You should expect to be at the maximum at L1 (as well as transformer's primary) and take a safety margin (10% more for example). In this case, the maximum current should be 1.8 A, so we set the maximum current to 2 A.

According to the L6598 datasheet there is a constant voltage of 2 V at pin 2 ( $R_{f\_start}$ ), so this voltage can be used to set the opamp's inverting input (pin 6) to 0.4 V through the R6 & R7 divider network.

The inverting input of internal opamp is set to 0.4 V, so  $0.4 \text{ V} / 2 \text{ A} = 0.2 \Omega$

A set of 1  $\Omega$ /0.25 W resistances was chosen to be readily available and by paralleling them we get 0.25  $\Omega$ /1 W, which "generates" 0.25  $\Omega$ \*2 A = 0.5 V at maximum current.

Then, we have to choose the values for R17 & R18 (a resistor divider network) to get the 0.4 V at Pin 7 (OPin+), R17 = 39 k $\Omega$  and R18 = 10 k $\Omega$  in our case.

Concerning feedback, regulation is achieved by means of varying the driver's frequency. A heavier load determines a lower operational frequency and the contrary is true for a lighter load. Frequency is changed by varying the current at pin 4 ( $R_{f\_min}$ ). As previously stated, R11 defines the maximum operational frequency and R10, R12 and optocoupler's internal resistance (that varies according to the current supplied to the load) set the actual operating frequency.



## 5 Full load, normal operation waveforms

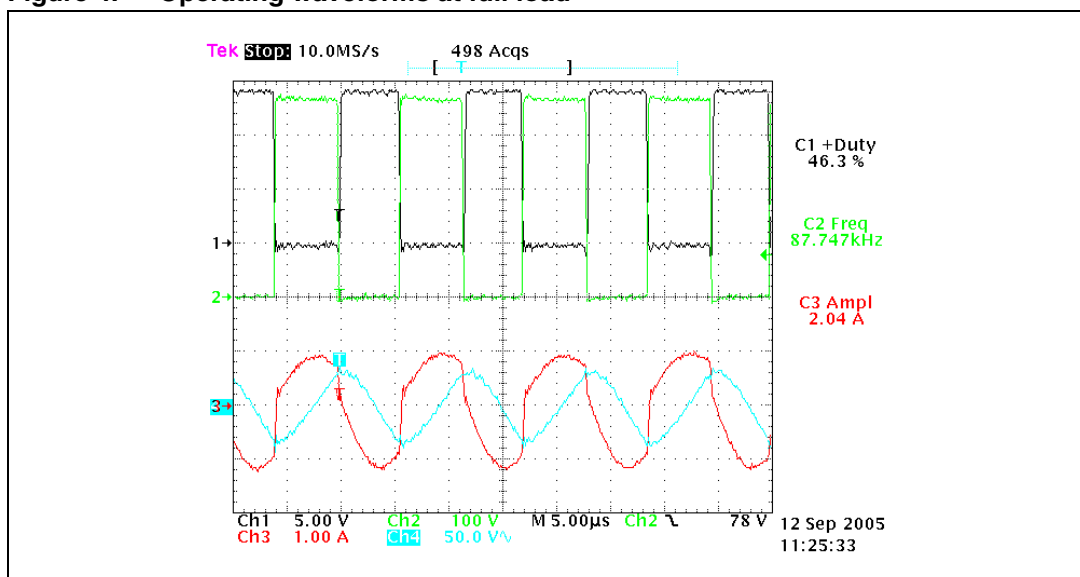
*Figure 4* shows the normal full load operation waveforms for this converter.

Channels 1 and 2 are  $V_g$  at Q2 and Q1 respectively. Notice that the voltage level at Q1 (upper MOSFET), is up to 370 V due to the charge pump inside the driver.

Channel 3 is the resonant current flowing through L1, measured with a hall effect probe. There is a lack of symmetry probably caused by the hand-wound transformer and coil. The major contributor to this should be the non-symmetric primary winding for the transformer that imposes different loads as current flow changes direction at the primary.

Channel 4 is the resonant voltage at C18.

**Figure 4. Operating waveforms at full load**



- Measurement conditions
  - $V_{in} = 355 V_{DC}$  @ DC Main bus
  - $V_{out} = 23.7 V_{DC}$ , 6.35A (~150 W)

As previously stated in the introduction, this type of converter has some very good characteristics, one of which is the very high efficiency, typically over 90%, that is easily achieved with resonant, very low RF and EMI produced due to ZVS.

*Figure 5* shows the efficiency curve against the output power and against input voltage (*Figure 6*). Notice that there are two curves (*Figure 5*), the upper one is the efficiency curve for this converter, as you can see in the schematic in *Figure 3*. The other one is the same converter connected after a PFC circuit. This one uses ST's L4981A as its primary driver, provides 355  $V_{DC}$  and up to 200 W. The application note AN628 appears in *Section 7: References* and is referred to in the conclusion.

Figure 5. Efficiency vs. Pout

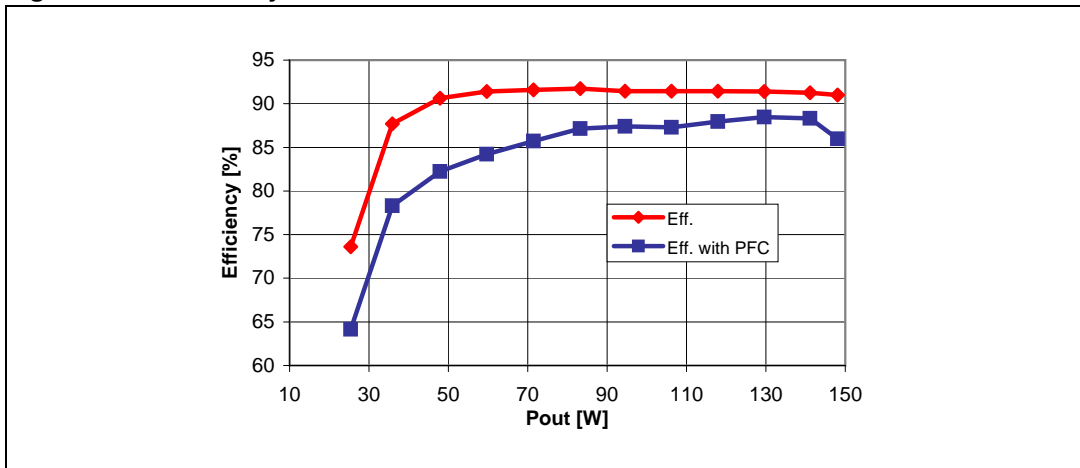


Figure 6. Efficiency vs. Vin

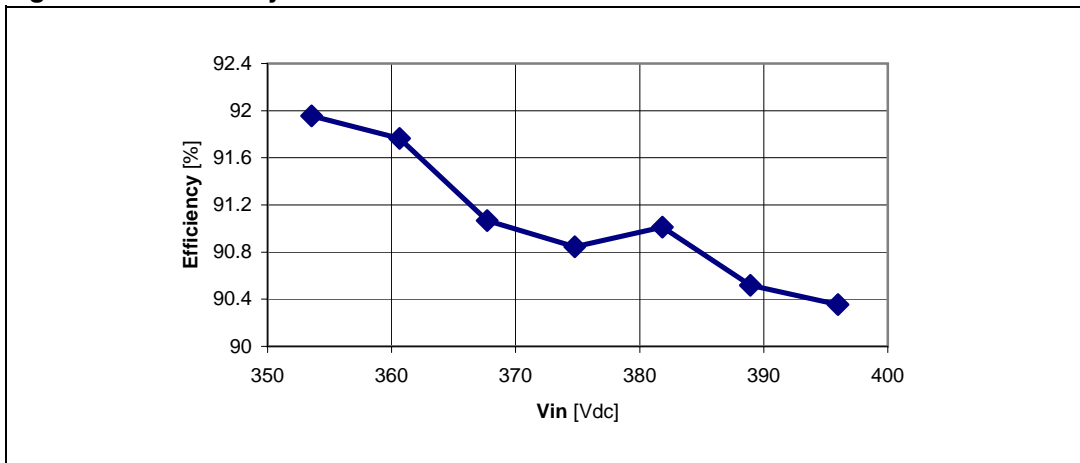


Figure 7. Switching frequency vs output power

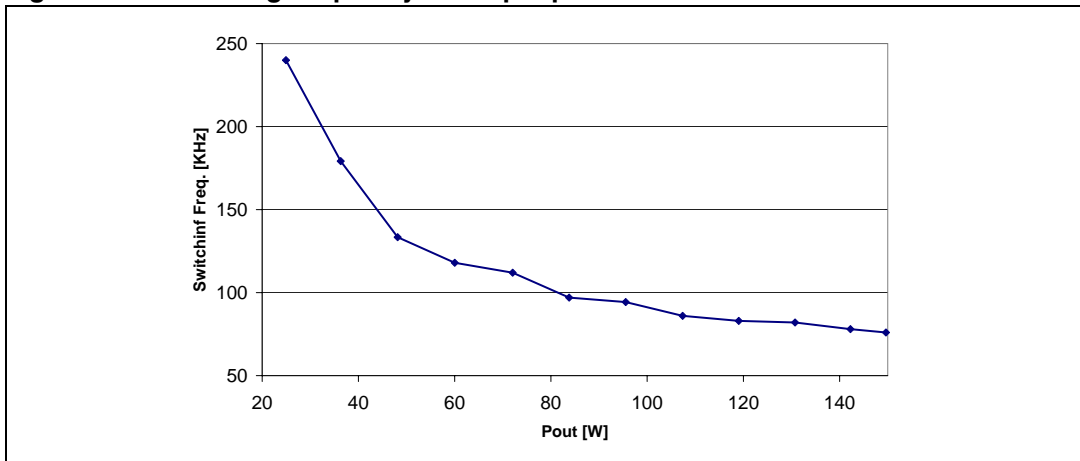
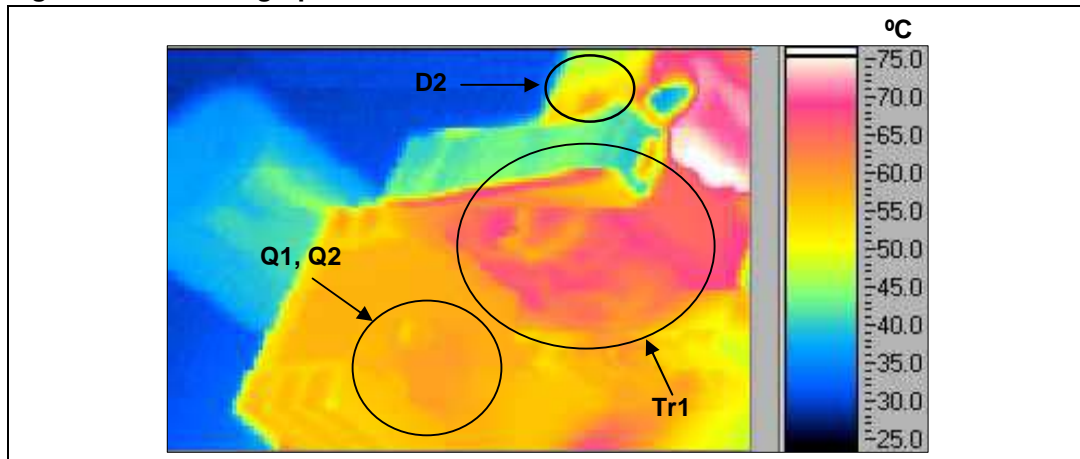


Figure 8. Thermograph



The converter is working at full load in the thermograph in [Figure 8](#). Notice that the hottest spot is near the rectifier double diode (D2). The hot lines (white ones) are the dc out filtering capacitors that are being heavily heated by D2 due to the board's position. The transformer is working "cool" as well as the Power MOSFET transistors.

It is important to notice that Q1 and Q2 are working in the 50 °C range. Originally the board was assembled with bigger transistors, therefore the smaller ones can be used in this application and gain in efficiency (almost 20% gain for light loads). They are easier to drive and cheaper which means that you don't have to "oversize" these (as is usually done in other converter topologies).

## 6 Conclusion

As already mentioned, a certain degree of attention must be exercised with resonant converters because energy transfer is directly related to this phenomenon. The benefits are substantial and include low emi and rf noise, high efficiency, overall cooler operation, no need for "over sized" power components to prevent failure from spikes, etc., as well as other advantages if designed carefully. As you can see, the load regulation of this one is very good.

It is remarkable that all these measurements and tests have been performed without any forced ventilation. The heatsink provided for the power transistors is very modest, considering the SMPS's power, so it would be easy to avoid any heat sink by designing a suitable copper area for SMD transistors (i.e. DPAK).

The designer will notice that since the power factor for this converter is not good, therefore it is better to connect the converter after a PFC, such as the one with L4981 that has been used to do some of these measurements. It is normal that the power factor is low due to the "spike" nature of this converter's drawn current. If observed with an oscilloscope, a series of spikes can be seen.

## 7 References

- High frequency switching power supplies, theory & design.
- Closing The Feedback Loop. Lloyd H. Dixon Jr. Unitrode©
- Transformer and inductor design for optimum circuit performance. Lloyd H. Dixon Jr. Unitrode©
- L6598 Datasheet
- AN1673, L6598 off-line controller for resonant converters.
- AN1660, ZVS Resonant converter for consumer application using L6598 IC.
- AN628, Designing a high power factor switching preregulator with the L4981 continuous mode.

## 8 Revision history

**Table 3. Document revision history**

Date	Revision	Changes
25-Oct-2007	1	Initial release

**Please Read Carefully:**

Information in this document is provided solely in connection with ST products. STMicroelectronics NV and its subsidiaries ("ST") reserve the right to make changes, corrections, modifications or improvements, to this document, and the products and services described herein at any time, without notice.

All ST products are sold pursuant to ST's terms and conditions of sale.

Purchasers are solely responsible for the choice, selection and use of the ST products and services described herein, and ST assumes no liability whatsoever relating to the choice, selection or use of the ST products and services described herein.

No license, express or implied, by estoppel or otherwise, to any intellectual property rights is granted under this document. If any part of this document refers to any third party products or services it shall not be deemed a license grant by ST for the use of such third party products or services, or any intellectual property contained therein or considered as a warranty covering the use in any manner whatsoever of such third party products or services or any intellectual property contained therein.

**UNLESS OTHERWISE SET FORTH IN ST'S TERMS AND CONDITIONS OF SALE ST DISCLAIMS ANY EXPRESS OR IMPLIED WARRANTY WITH RESPECT TO THE USE AND/OR SALE OF ST PRODUCTS INCLUDING WITHOUT LIMITATION IMPLIED WARRANTIES OF MERCHANTABILITY, FITNESS FOR A PARTICULAR PURPOSE (AND THEIR EQUIVALENTS UNDER THE LAWS OF ANY JURISDICTION), OR INFRINGEMENT OF ANY PATENT, COPYRIGHT OR OTHER INTELLECTUAL PROPERTY RIGHT.**

**UNLESS EXPRESSLY APPROVED IN WRITING BY AN AUTHORIZED ST REPRESENTATIVE, ST PRODUCTS ARE NOT RECOMMENDED, AUTHORIZED OR WARRANTED FOR USE IN MILITARY, AIR CRAFT, SPACE, LIFE SAVING, OR LIFE SUSTAINING APPLICATIONS, NOR IN PRODUCTS OR SYSTEMS WHERE FAILURE OR MALFUNCTION MAY RESULT IN PERSONAL INJURY, DEATH, OR SEVERE PROPERTY OR ENVIRONMENTAL DAMAGE. ST PRODUCTS WHICH ARE NOT SPECIFIED AS "AUTOMOTIVE GRADE" MAY ONLY BE USED IN AUTOMOTIVE APPLICATIONS AT USER'S OWN RISK.**

Resale of ST products with provisions different from the statements and/or technical features set forth in this document shall immediately void any warranty granted by ST for the ST product or service described herein and shall not create or extend in any manner whatsoever, any liability of ST.

ST and the ST logo are trademarks or registered trademarks of ST in various countries.

Information in this document supersedes and replaces all information previously supplied.

The ST logo is a registered trademark of STMicroelectronics. All other names are the property of their respective owners.

© 2007 STMicroelectronics - All rights reserved

STMicroelectronics group of companies

Australia - Belgium - Brazil - Canada - China - Czech Republic - Finland - France - Germany - Hong Kong - India - Israel - Italy - Japan - Malaysia - Malta - Morocco - Singapore - Spain - Sweden - Switzerland - United Kingdom - United States of America

[www.st.com](http://www.st.com)

