

**10 gigabit Ethernet survives ITU-T K20 and  
Telcordia GR-1089-Core intra-building**

---

**Introduction**

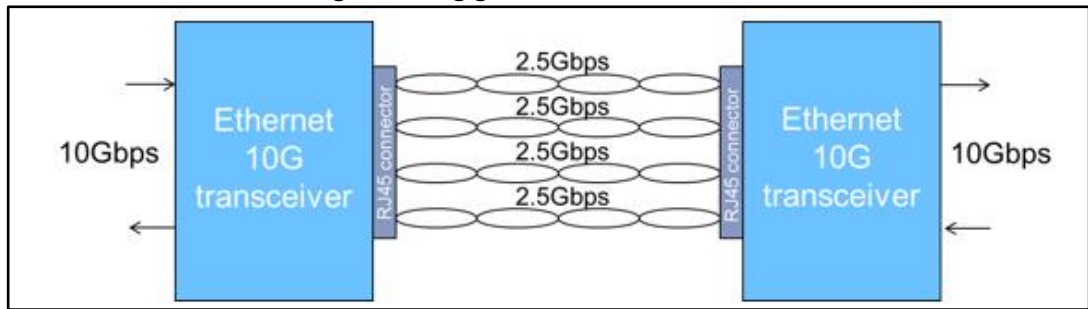
Ethernet links are very common to interconnect computers and servers in a campus environment. Cable length can reach 100 m and can be subjected to lightning surges. This document covers ST's protection products for both the 10 G Ethernet standard and ST's HSP product to protect Ethernet transceivers.

# 1 10 gigabit Ethernet

## 1.1 Architecture

10 gigabit Ethernet is defined by IEEE 802.3an standard. It is composed of 4 differential pairs, providing 2.5 Gbps each, in full duplex.

Figure 1: 10 gigabit Ethernet architecture



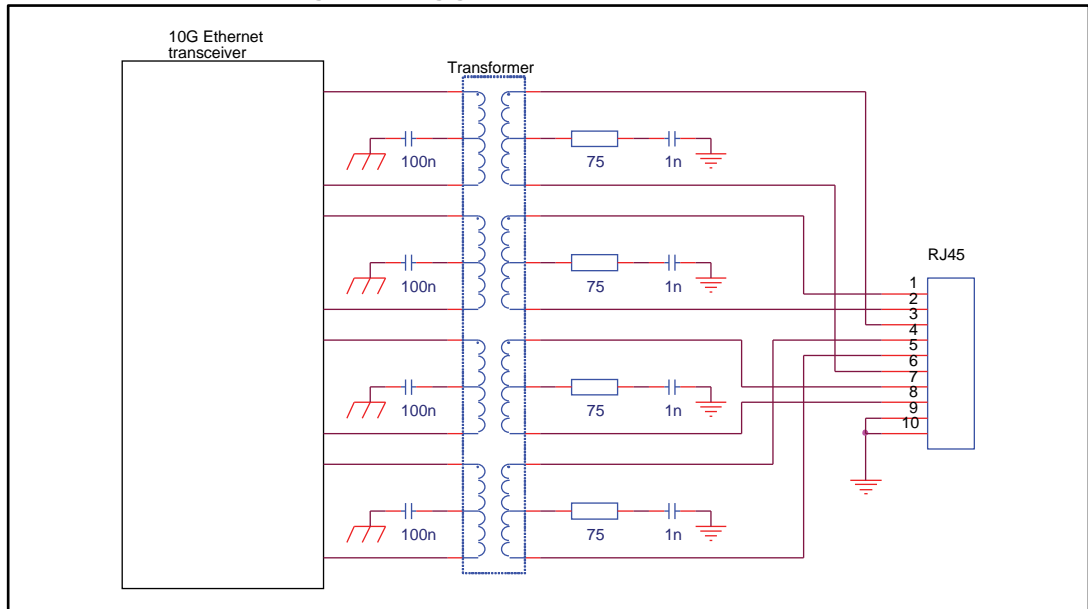
Modulation used is PAM 16 on each differential pair, so 4 bits per symbol.

Modulation rate is 800 Msymbols/second, which results in a 400 MHz Nyquist frequency.

## 1.2 Electrical implementation

Electrical implementation between the Ethernet transceiver and the connector is shown on the following figure.

Figure 2: 10 gigabit Ethernet implementation



To ensure high voltage isolation, transformer between transceiver and connector is implemented.

## 1.3 EOS on 10 gigabit Ethernet

As all Ethernet lines, 10 gigabit Ethernet is submitted to EOS (electrical over stress). These EOS are defined by ITU-T K20 or Telcordia GR-1089-Core:

- ITU-T K20:
  - +1500 V (10/700  $\mu$ s) +37.5 A (5/310  $\mu$ s) metallic (x5)
  - -1500 V (10/700  $\mu$ s) -37.5 A (5/310  $\mu$ s) metallic (x5)
  - +1500 V (10/700  $\mu$ s) +37.5 A (5/310  $\mu$ s) longitudinal (x5)
  - -1500 V (10/700  $\mu$ s) -37.5 A (5/310  $\mu$ s) longitudinal (x5)
- Telcordia GR-1089-Core intra-building:
  - +1500 V (2/10  $\mu$ s) +100 A (2/10  $\mu$ s) metallic (x1)
  - -1500 V (2/10  $\mu$ s) -100 A (2/10  $\mu$ s) metallic (x1)
  - +1500 V (2/10  $\mu$ s) +100 A (2/10  $\mu$ s) longitudinal (x1)
  - -1500 V (2/10  $\mu$ s) -100 A (2/10  $\mu$ s) longitudinal (x1)

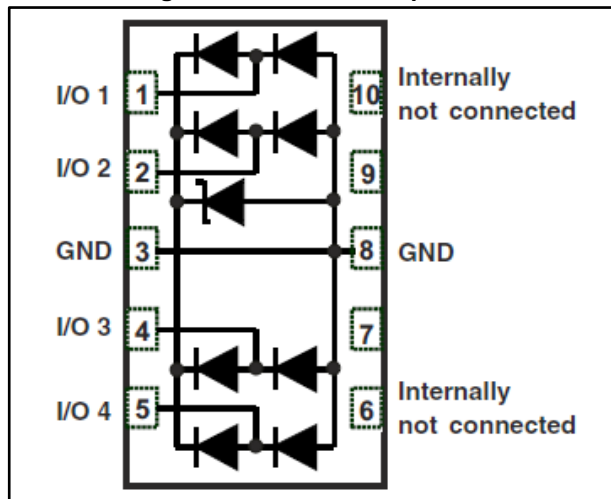
## 2 HSP product to protect 10 gigabit Ethernet

HSP (high speed protection) series has been designed to protect against ESD high speed differential links, such as HDMI, USB3.x.

However, these products can be also used to protect 10 gigabit Ethernet against ITU-T K20 or Telcordia GR-1089-Core intra-building, by placing HSP part between transformer and Ethernet transceiver.

The below figure shows an example of HSP product, providing 4 lines protection: HSP061-4M10.

Figure 3: HSP061-4M10 pin out

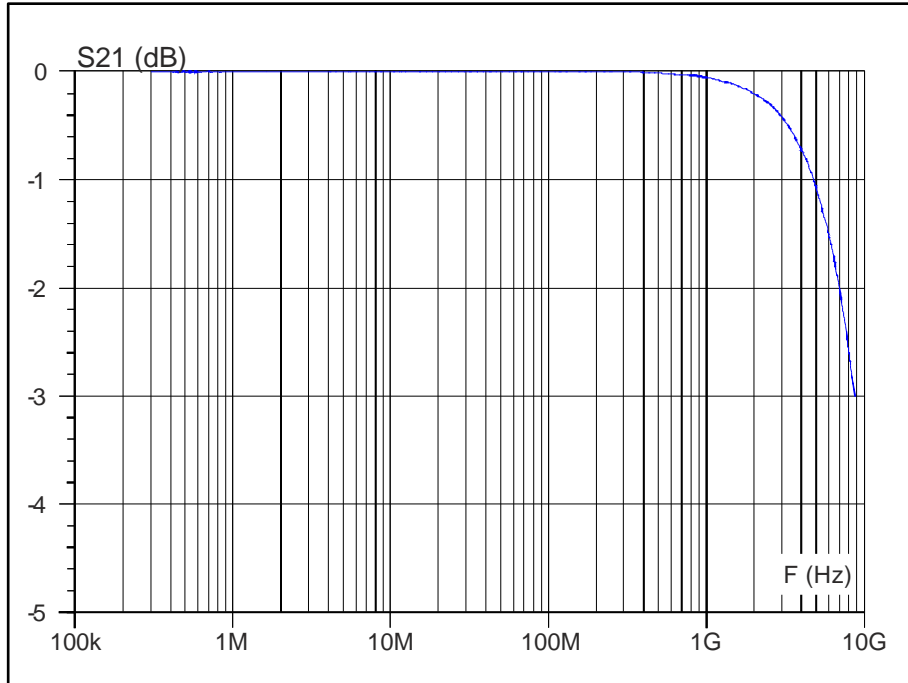


## 2.1 HSP061-4M10 bandwidth

HSP family offers a very large bandwidth (several GHz), to be compatible and transparent with high speed differential links.

The following figure shows frequency response of HSP061-4M10.

Figure 4: Frequency response of HSP061-4M10



The Nyquist frequency (400 MHz) falls comfortably within the 9 GHz range of our HSP family of products.

## 2.2 EOS measurements

To evaluate the behavior of HSP061-4M10, placed between transformer and transceiver, EOS measurements have been performed in metallic and longitudinal configuration, according to Figure 5 and Figure 6.

Figure 5: Schematic test for metallic surge configuration

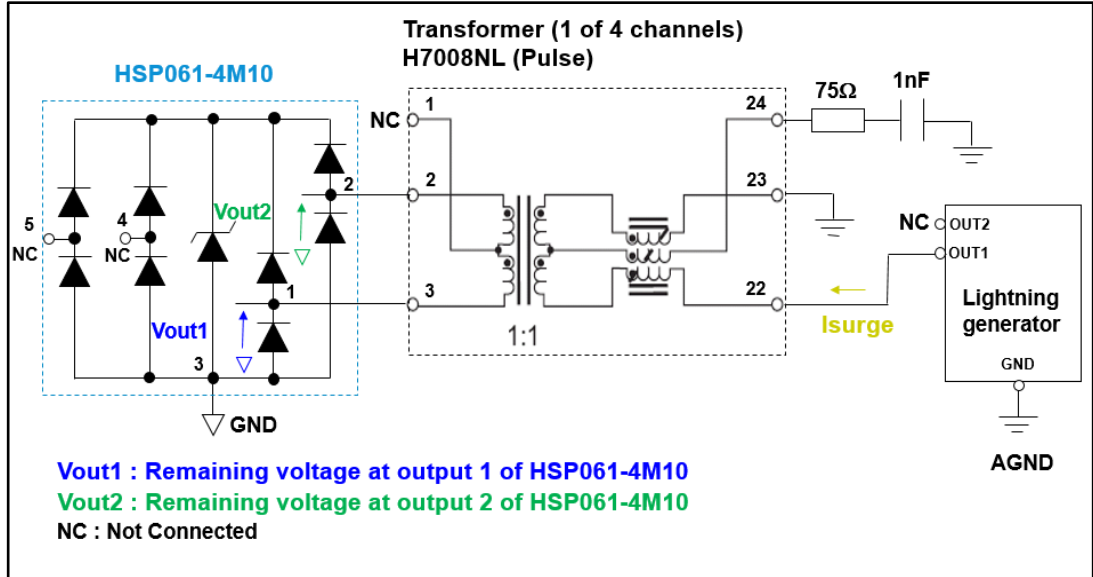
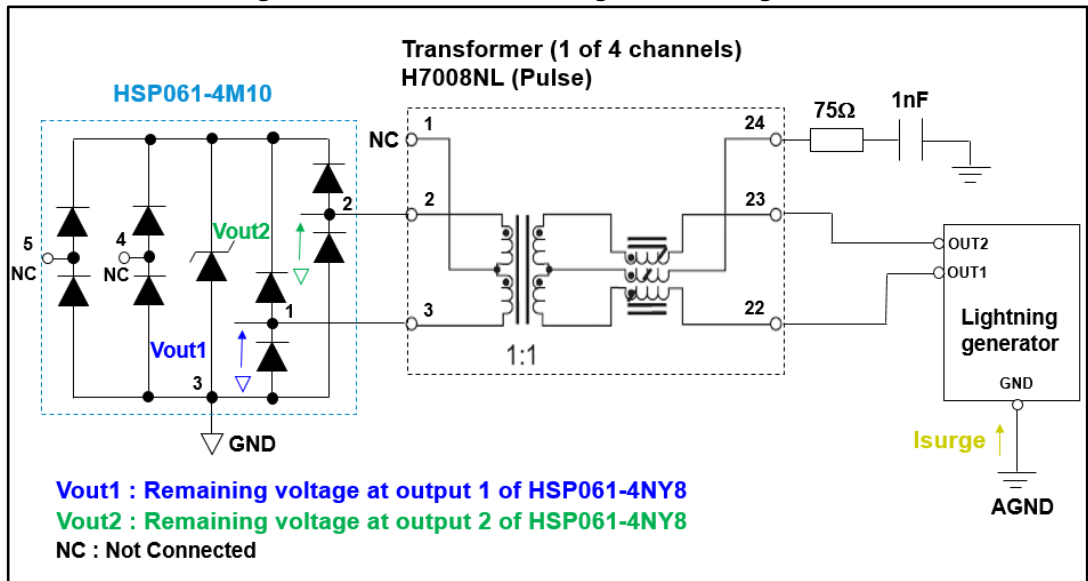
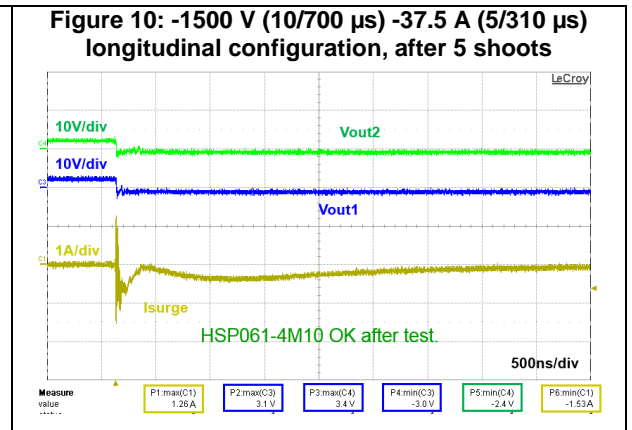
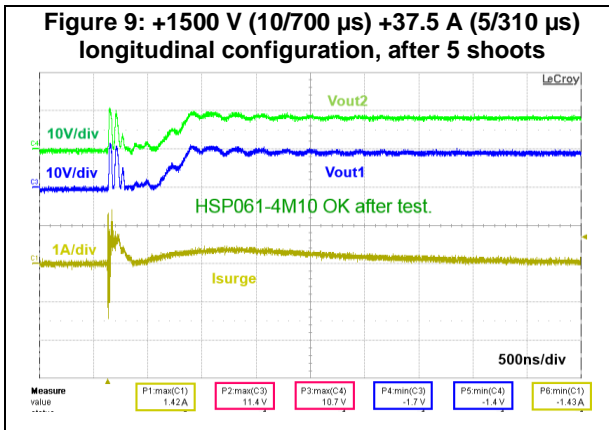
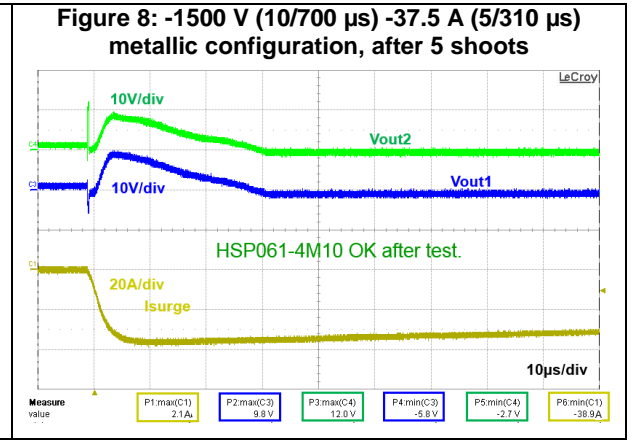
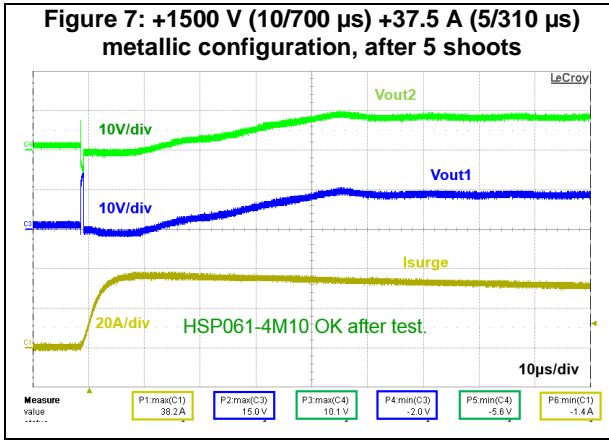


Figure 6: Schematic test for longitudinal configuration



### 2.3 ITU-T K20 lightning test

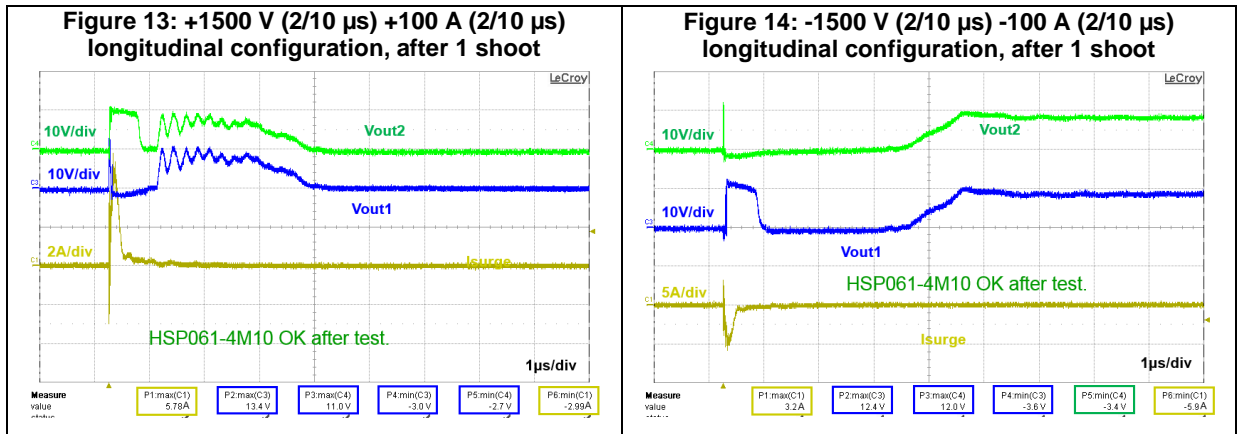
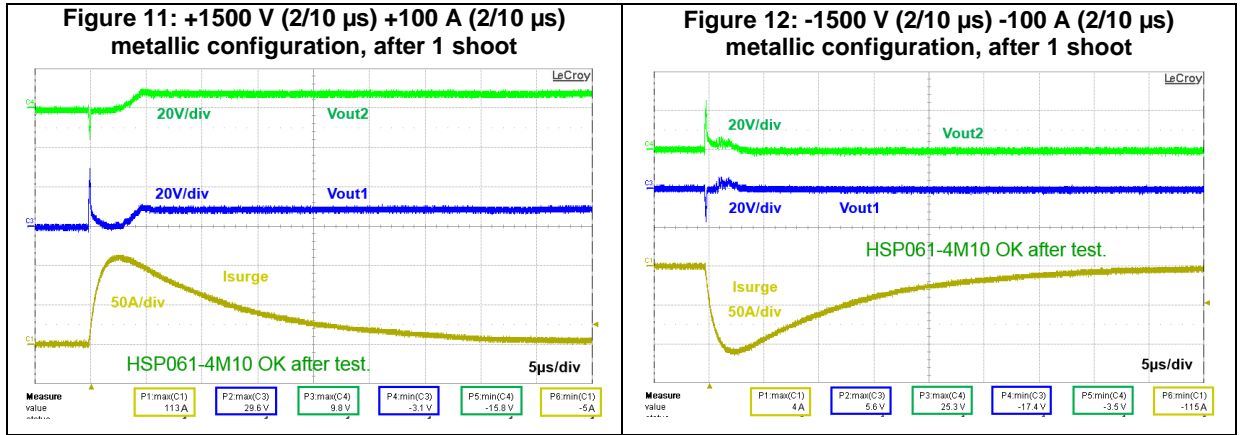
Following figures show measurement results when applying +1500 V (10/700  $\mu$ s) and 37.5 A (5/310  $\mu$ s) waveforms in metallic and longitudinal configuration.



ST's HSP061-4M10 provides full transceiver protection per ITU-T K20 lightning surge tests.

## 2.4 Telcordia GR-1089-Core intra-building lightning test

Same measurements have been performed with Telcordia GR-1089-Core intra-building surges (i.e. 1500 V (2/10  $\mu$ s), 100 A (2/10  $\mu$ s)).



ST's HSP061-4M10 provides full transceiver protection against Telcordia GR-1089-Core intra-building lightning surge tests.

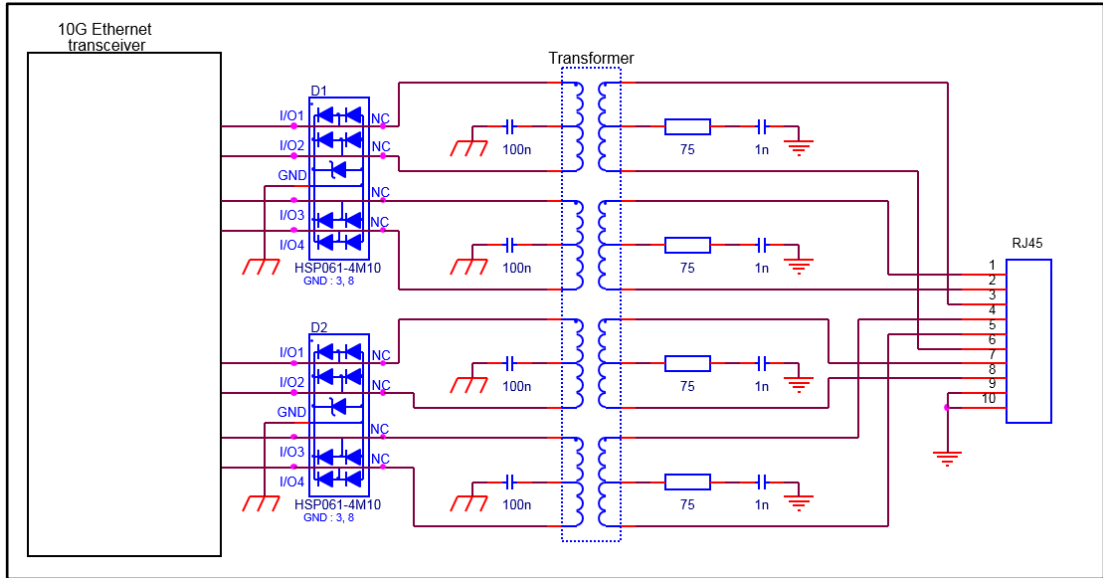


### 3 Protection implementation

10 gigabit Ethernet uses four differential pairs (8 lines) to achieve a data rate of 10 Gbps.

As one HSP061-4M10 provides protection for four lines, two HSP061-4M10s are needed to protect all lines of 10 gigabit Ethernet link.

Figure 15: HSP061-4M10 implementation on 10 gigabit Ethernet



## 4 Conclusion

10 gigabit Ethernet port conformity with ITU-T K20 or Telcordia GR-1089-Core standards can be ensured by inserting two components of HSP061-4M10 between transformers and Ethernet transceiver.

The HSP061-4M10 protection device ensures voltage outputs between -17.4 V to 28.6 V with either the ITU-T K20 or the Telcordia GR-1089-Core surge test applied.

## 5 Revision history

Table 1: Document revision history

Date	Revision	Changes
06-Feb-2017	1	Initial release.

**IMPORTANT NOTICE – PLEASE READ CAREFULLY**

STMicroelectronics NV and its subsidiaries (“ST”) reserve the right to make changes, corrections, enhancements, modifications, and improvements to ST products and/or to this document at any time without notice. Purchasers should obtain the latest relevant information on ST products before placing orders. ST products are sold pursuant to ST’s terms and conditions of sale in place at the time of order acknowledgement.

Purchasers are solely responsible for the choice, selection, and use of ST products and ST assumes no liability for application assistance or the design of Purchasers’ products.

No license, express or implied, to any intellectual property right is granted by ST herein.

Resale of ST products with provisions different from the information set forth herein shall void any warranty granted by ST for such product.

ST and the ST logo are trademarks of ST. All other product or service names are the property of their respective owners.

Information in this document supersedes and replaces information previously supplied in any prior versions of this document.

© 2017 STMicroelectronics – All rights reserved