

USB 802.15.4 dongle based on the SPZB32W1 series of modules

Data brief

Features

- Based on a 2.4 GHz IEEE 802.15.4/ZigBee® SPZB32W1A2 RF module
- Integrated STM32F103TBU6 with USB bridge capabilities
- USB interface and power supply
- Supported reprogrammability via the USB interface
- JTAG connector
- Configurable pushbutton
- Configurable LEDs
- Power indicator LED
- Small dimensions 5.75 cm x 2.15 cm
- STM32W protocol stack libraries supported
- Supported application partitioning between STM32F and STM32W



Description

The STEVAL-IDZ401V1 is an IEEE 802.15.4/ZigBee RF module with a USB interface and with a “dongle” style optimized form factor.

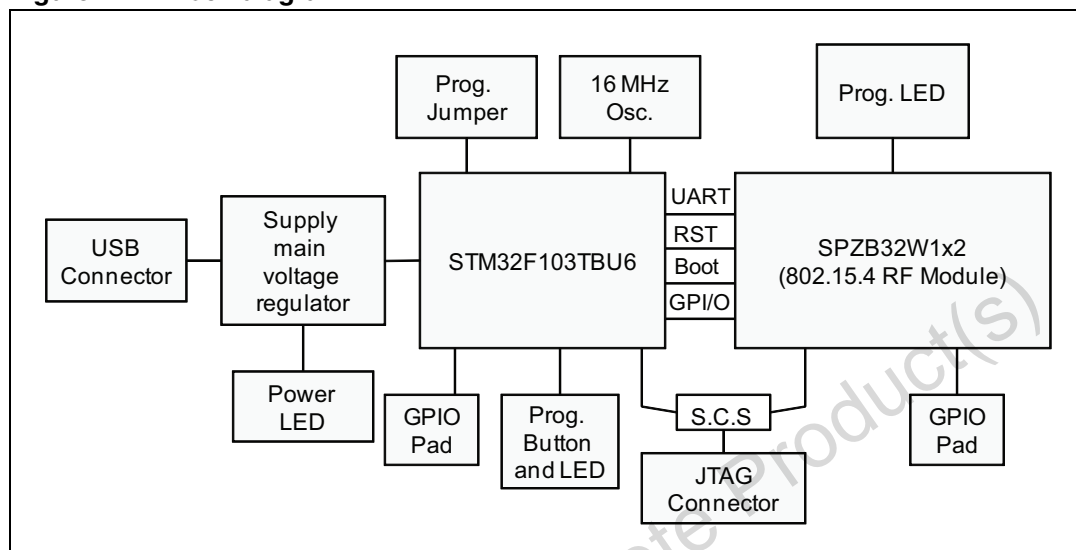
The board includes an STM32F103 chipset with USB bridge functional capabilities and an STM32W chipset. Configurable LEDs and a pushbutton are also available onboard.

The board supports multiple models of application partitioning between the STM32W and the STM32F integrated cores and is enabled to run all the protocol stacks defined for the STM32W SoC family.

The board allows the configuration of the connection of the JTAG with the STM32W (default) or with the STM32F, or with both the processors in scan chain mode.

1 Block diagram

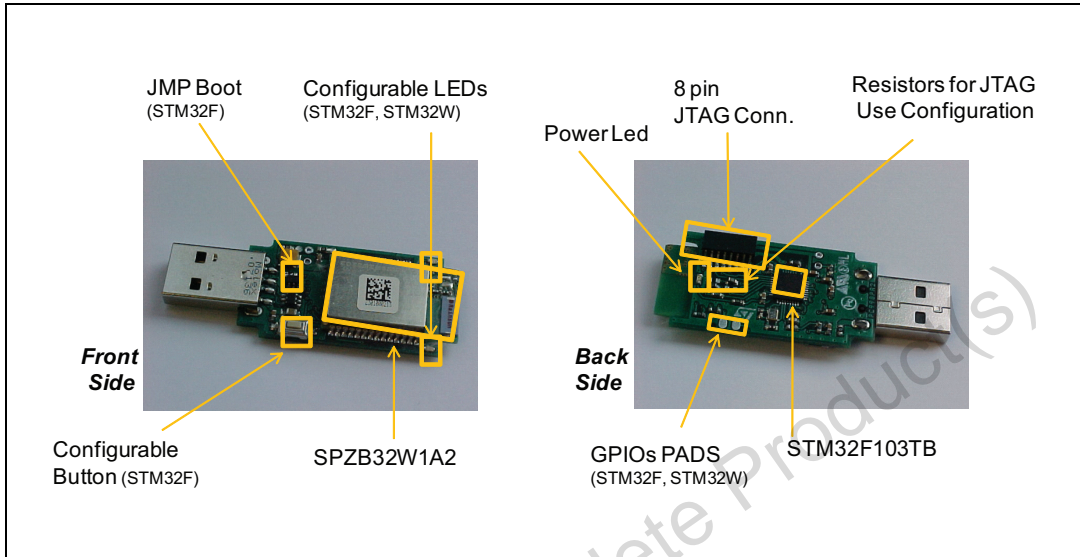
Figure 1. Block diagram



Obsolete Product(s) - Obsolete Product(s)

3 Main components

Figure 3. Main components



Obsolete Product(s) - Obsolete Product(s)

4 Revision history

Table 1. Document revision history

Date	Revision	Changes
25-Nov-2011	1	Initial release.

Obsolete Product(s) - Obsolete Product(s)

Please Read Carefully:

Information in this document is provided solely in connection with ST products. STMicroelectronics NV and its subsidiaries ("ST") reserve the right to make changes, corrections, modifications or improvements, to this document, and the products and services described herein at any time, without notice.

All ST products are sold pursuant to ST's terms and conditions of sale.

Purchasers are solely responsible for the choice, selection and use of the ST products and services described herein, and ST assumes no liability whatsoever relating to the choice, selection or use of the ST products and services described herein.

No license, express or implied, by estoppel or otherwise, to any intellectual property rights is granted under this document. If any part of this document refers to any third party products or services it shall not be deemed a license grant by ST for the use of such third party products or services, or any intellectual property contained therein or considered as a warranty covering the use in any manner whatsoever of such third party products or services or any intellectual property contained therein.

UNLESS OTHERWISE SET FORTH IN ST'S TERMS AND CONDITIONS OF SALE ST DISCLAIMS ANY EXPRESS OR IMPLIED WARRANTY WITH RESPECT TO THE USE AND/OR SALE OF ST PRODUCTS INCLUDING WITHOUT LIMITATION IMPLIED WARRANTIES OF MERCHANTABILITY, FITNESS FOR A PARTICULAR PURPOSE (AND THEIR EQUIVALENTS UNDER THE LAWS OF ANY JURISDICTION), OR INFRINGEMENT OF ANY PATENT, COPYRIGHT OR OTHER INTELLECTUAL PROPERTY RIGHT.

UNLESS EXPRESSLY APPROVED IN WRITING BY TWO AUTHORIZED ST REPRESENTATIVES, ST PRODUCTS ARE NOT RECOMMENDED, AUTHORIZED OR WARRANTED FOR USE IN MILITARY, AIR CRAFT, SPACE, LIFE SAVING, OR LIFE SUSTAINING APPLICATIONS, NOR IN PRODUCTS OR SYSTEMS WHERE FAILURE OR MALFUNCTION MAY RESULT IN PERSONAL INJURY, DEATH, OR SEVERE PROPERTY OR ENVIRONMENTAL DAMAGE. ST PRODUCTS WHICH ARE NOT SPECIFIED AS "AUTOMOTIVE GRADE" MAY ONLY BE USED IN AUTOMOTIVE APPLICATIONS AT USER'S OWN RISK.

Resale of ST products with provisions different from the statements and/or technical features set forth in this document shall immediately void any warranty granted by ST for the ST product or service described herein and shall not create or extend in any manner whatsoever, any liability of ST.

ST and the ST logo are trademarks or registered trademarks of ST in various countries.

Information in this document supersedes and replaces all information previously supplied.

The ST logo is a registered trademark of STMicroelectronics. All other names are the property of their respective owners.

© 2011 STMicroelectronics - All rights reserved

STMicroelectronics group of companies

Australia - Belgium - Brazil - Canada - China - Czech Republic - Finland - France - Germany - Hong Kong - India - Israel - Italy - Japan - Malaysia - Malta - Morocco - Philippines - Singapore - Spain - Sweden - Switzerland - United Kingdom - United States of America

www.st.com