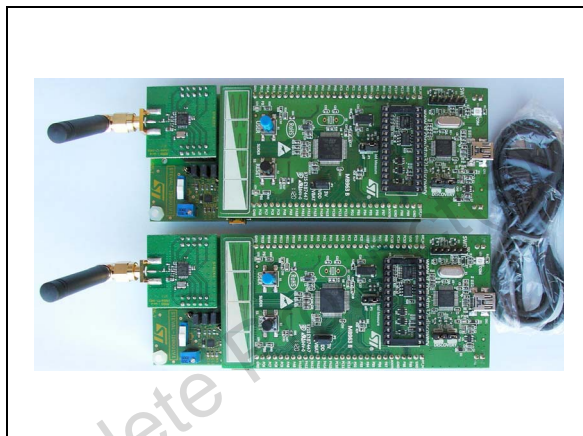


Bluetooth low energy development kit based on the STBLC01

Data brief

Features

- STBLC01 Bluetooth® low energy controller in a standalone RF module
- STM32L Discovery board, including STLINK
- Associated STBLC01 development kit, including documentation, firmware for STM32L and GUI
- Bluetooth protocol stack for STM32L and profiles provided separately
- Bluetooth specification v4.0 compliant master and slave BLE controller
- ISM 2.4 GHz frequency band
- 1 Mbps on-air data rate SPI interface for microcontroller
- Operating supply voltage from 1.9 V to 3.6 V
- 13 mA maximum peak current
- Low power physical layer
- Link layer with embedded security engine
- UART and SPI available as HCI transport layers
- RoHS compliant



Description

The STEVAL-IDB001V1 demonstration board is based on the STBLC01, a very low power Bluetooth low energy (BLE) controller compliant with Bluetooth specification 4.0. The STBLC01 integrates a low power physical layer, a link layer with an embedded security engine, a host controller interface (HCI), and power management. The board includes an STM32L Discovery with embedded low-power STM32L microcontroller to control the STBLC01. The Bluetooth low energy host stack can be provided separately to run in the microcontroller.

1 Schematic diagram

Figure 1. Interface board: power supply

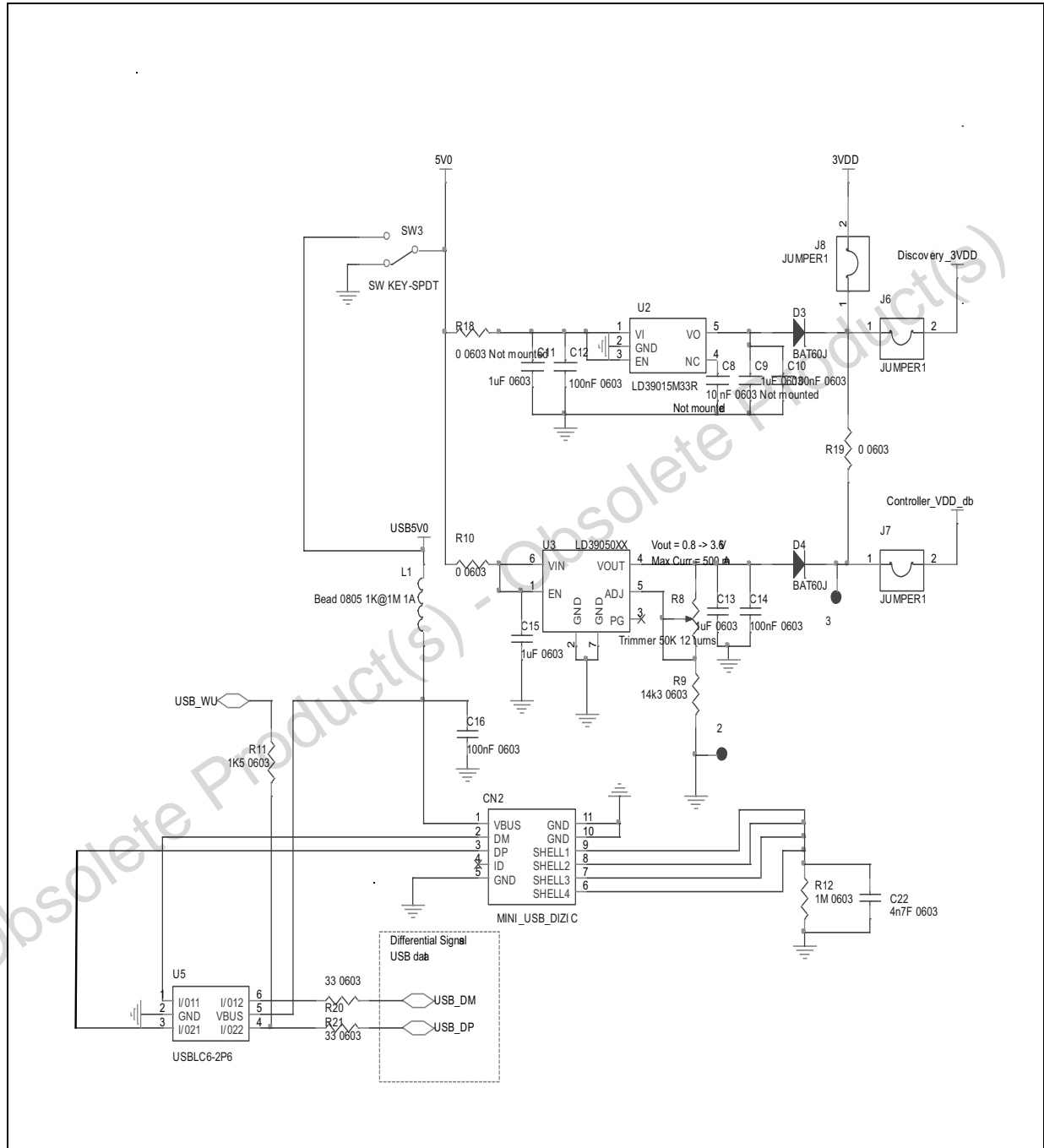


Figure 2. Interface board: Interface

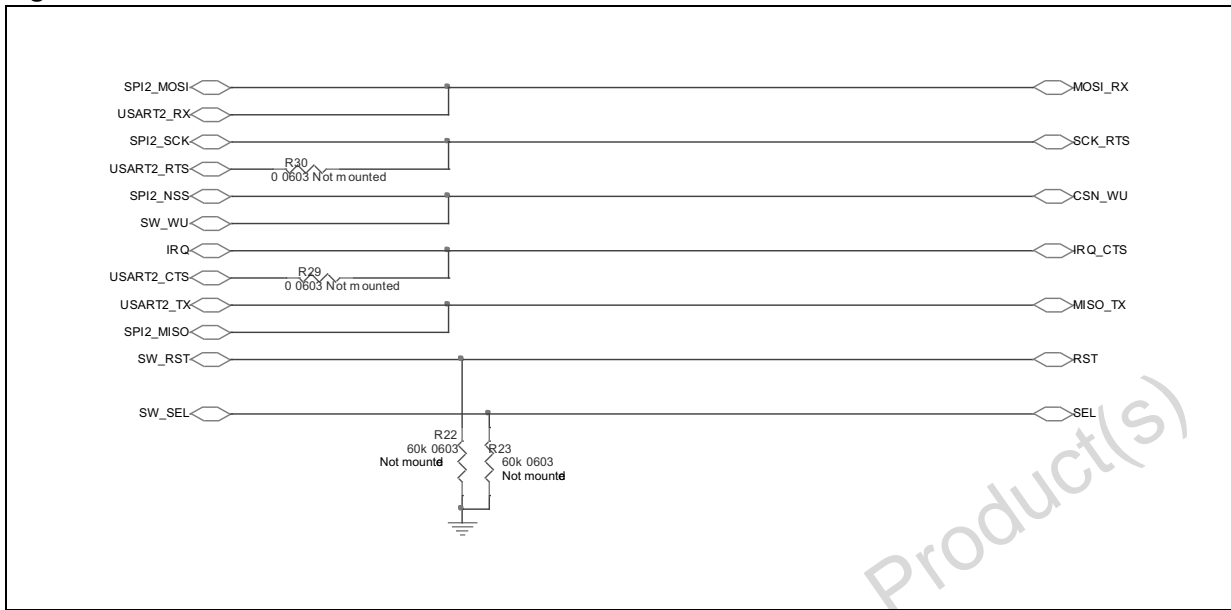


Figure 3. Interface board: sensors

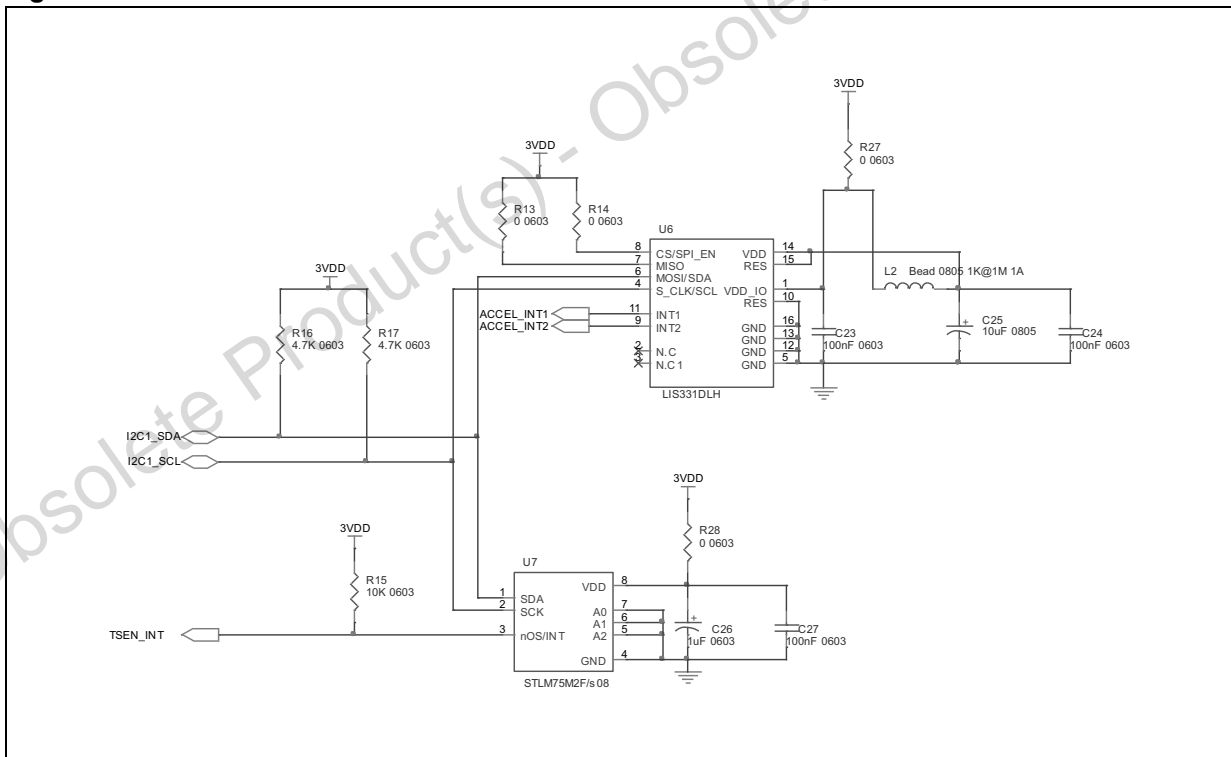


Figure 4. Interface board: interface connectors

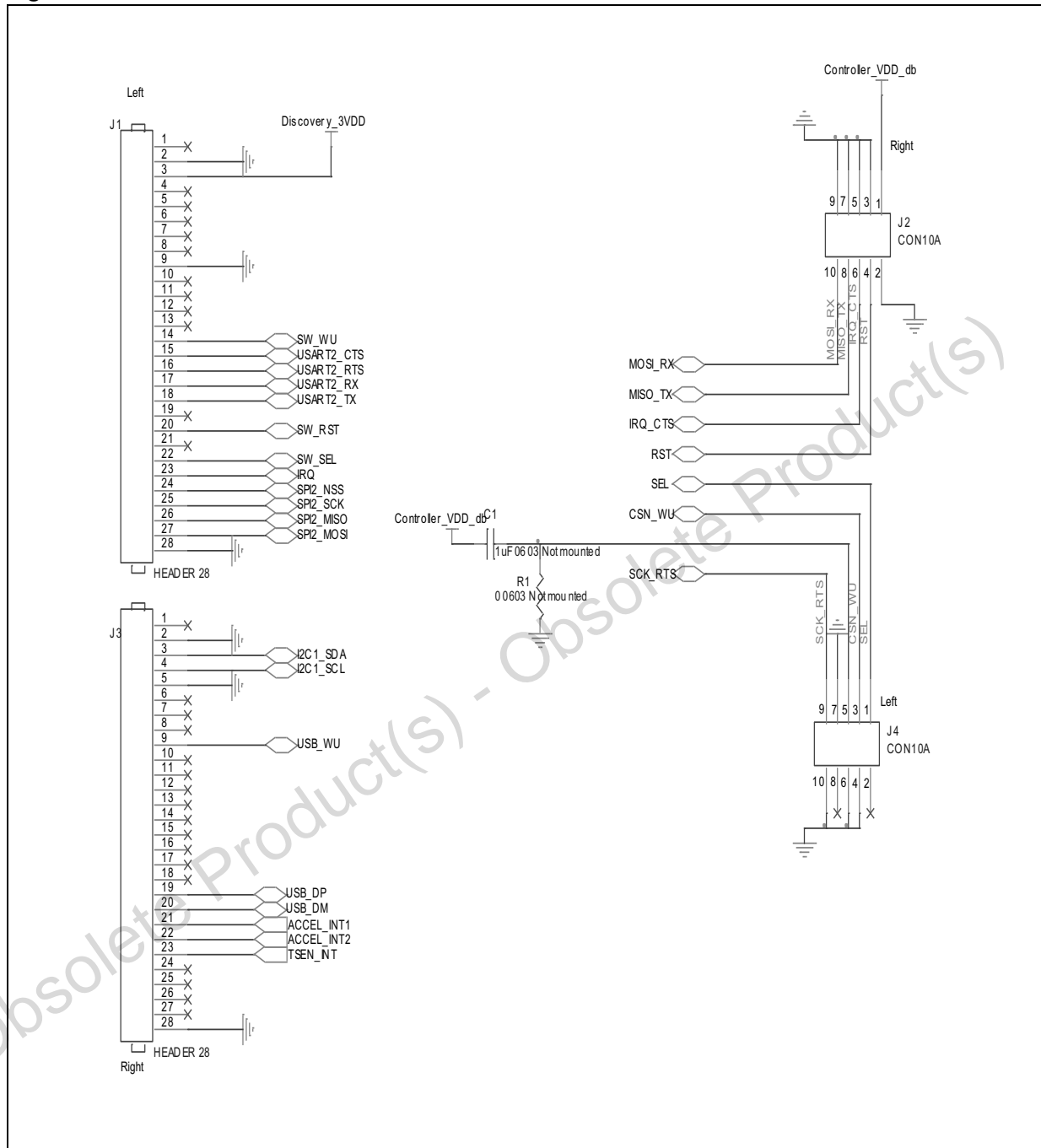
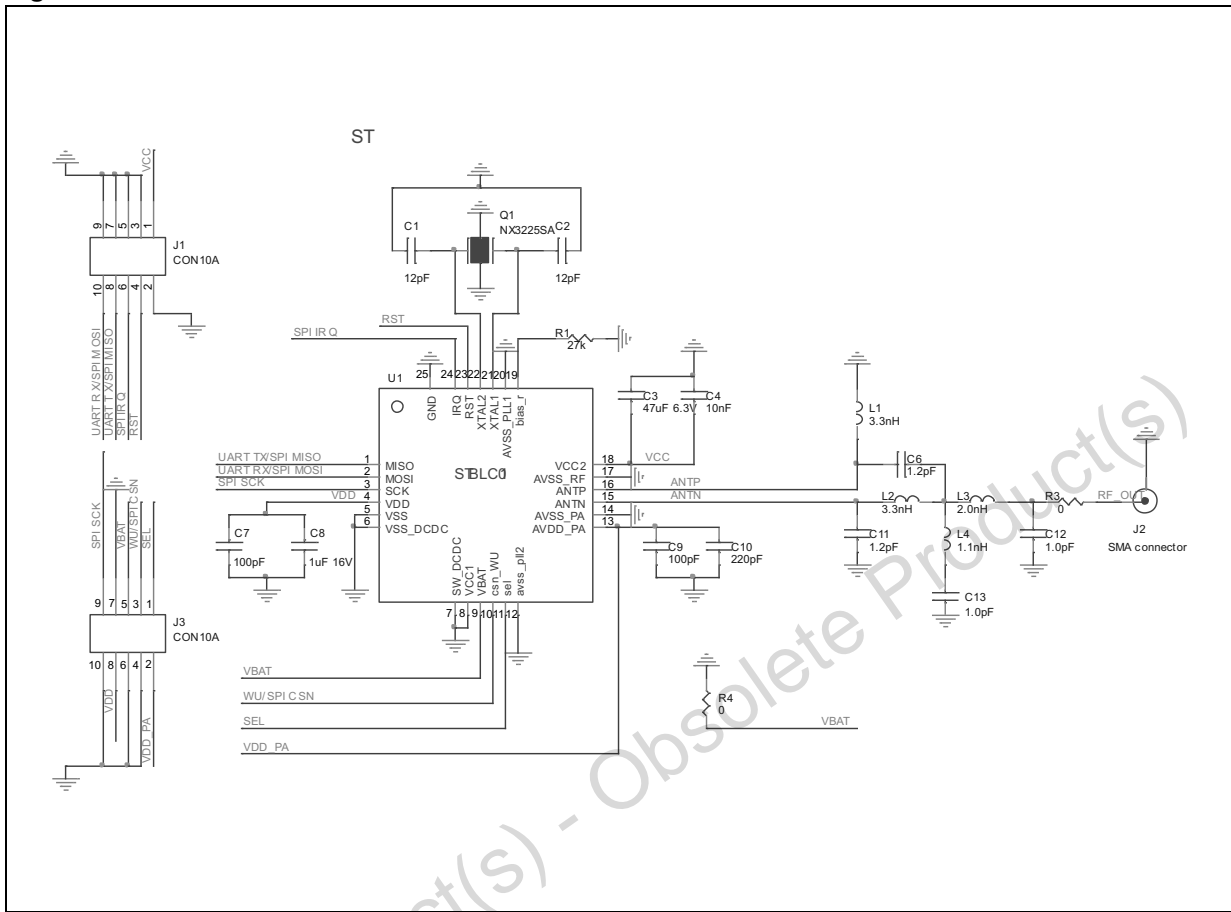


Figure 5. STBLC01 RF module



2 Revision history

Table 1. Document revision history

Date	Revision	Changes
11-Feb-2013	1	Initial release.

Obsolete Product(s) - Obsolete Product(s)

Please Read Carefully:

Information in this document is provided solely in connection with ST products. STMicroelectronics NV and its subsidiaries ("ST") reserve the right to make changes, corrections, modifications or improvements, to this document, and the products and services described herein at any time, without notice.

All ST products are sold pursuant to ST's terms and conditions of sale.

Purchasers are solely responsible for the choice, selection and use of the ST products and services described herein, and ST assumes no liability whatsoever relating to the choice, selection or use of the ST products and services described herein.

No license, express or implied, by estoppel or otherwise, to any intellectual property rights is granted under this document. If any part of this document refers to any third party products or services it shall not be deemed a license grant by ST for the use of such third party products or services, or any intellectual property contained therein or considered as a warranty covering the use in any manner whatsoever of such third party products or services or any intellectual property contained therein.

UNLESS OTHERWISE SET FORTH IN ST'S TERMS AND CONDITIONS OF SALE ST DISCLAIMS ANY EXPRESS OR IMPLIED WARRANTY WITH RESPECT TO THE USE AND/OR SALE OF ST PRODUCTS INCLUDING WITHOUT LIMITATION IMPLIED WARRANTIES OF MERCHANTABILITY, FITNESS FOR A PARTICULAR PURPOSE (AND THEIR EQUIVALENTS UNDER THE LAWS OF ANY JURISDICTION), OR INFRINGEMENT OF ANY PATENT, COPYRIGHT OR OTHER INTELLECTUAL PROPERTY RIGHT.

UNLESS EXPRESSLY APPROVED IN WRITING BY TWO AUTHORIZED ST REPRESENTATIVES, ST PRODUCTS ARE NOT RECOMMENDED, AUTHORIZED OR WARRANTED FOR USE IN MILITARY, AIR CRAFT, SPACE, LIFE SAVING, OR LIFE SUSTAINING APPLICATIONS, NOR IN PRODUCTS OR SYSTEMS WHERE FAILURE OR MALFUNCTION MAY RESULT IN PERSONAL INJURY, DEATH, OR SEVERE PROPERTY OR ENVIRONMENTAL DAMAGE. ST PRODUCTS WHICH ARE NOT SPECIFIED AS "AUTOMOTIVE GRADE" MAY ONLY BE USED IN AUTOMOTIVE APPLICATIONS AT USER'S OWN RISK.

Resale of ST products with provisions different from the statements and/or technical features set forth in this document shall immediately void any warranty granted by ST for the ST product or service described herein and shall not create or extend in any manner whatsoever, any liability of ST.

ST and the ST logo are trademarks or registered trademarks of ST in various countries.

Information in this document supersedes and replaces all information previously supplied.

The ST logo is a registered trademark of STMicroelectronics. All other names are the property of their respective owners.

© 2013 STMicroelectronics - All rights reserved

STMicroelectronics group of companies

Australia - Belgium - Brazil - Canada - China - Czech Republic - Finland - France - Germany - Hong Kong - India - Israel - Italy - Japan - Malaysia - Malta - Morocco - Philippines - Singapore - Spain - Sweden - Switzerland - United Kingdom - United States of America

www.st.com