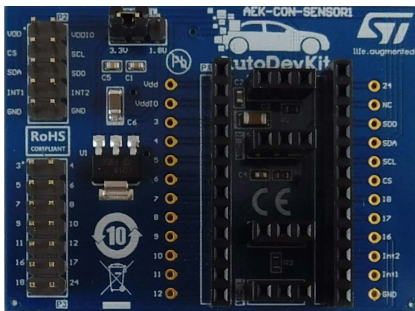


Connector board for SPC5 MCU discovery boards and MEMS sensor boards in DIL 24 socket



Features

- Connects the [AEK-MCU-C4MLIT1](#) MCU discovery board to the MEMS sensor boards in DIL 24 socket
- Supports several sensors: digital microphones, 2D and 3D accelerometers, inclinometers
- Hosts a 1.8 V LDO voltage regulator for MEMS board supply
- Compact size: 56 mm x 41 mm
- WEEE and RoHS compliant
- Included in the [AutoDevKit](#) initiative

Description

The [AEK-CON-SENSOR1](#) board is designed to interface MEMS sensor boards in DIL 24 socket to an SPC5 MCU discovery board like the [AEK-MCU-C4MLIT1](#) hosting a [SPC58EC80E5](#) Chorus family automotive MCU with 4 MB flash.

The connector board hosts a 1.8 V LDO voltage regulator for MEMS boards supply.

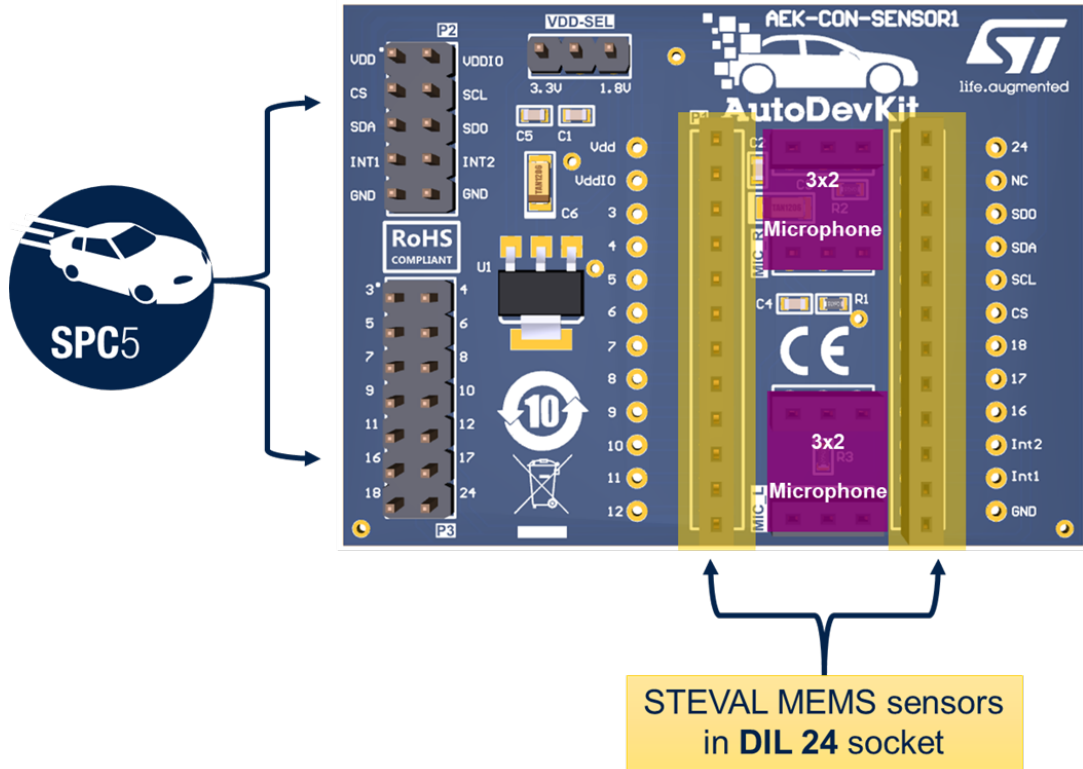
Two male strip connectors allow connecting the [AEK-MCU-C4MLIT1](#): the main one (5x2) is used for power supply, SPI interface and signal interrupt, whereas the second one (7x2) is used for optional GPIO connections depending on the plugged MEMS sensor board.

For the MEMS sensor board connection, three female strip connectors are used: the main one (12x2) hosts the MEMS sensors in DIL 24 socket, whereas the other two (3x2) host digital microphones.

Product summary	
Connector board for AEK-MCU-C4MLIT1 MCU discovery board and MEMS sensor boards in DIL 24 socket	AEK-CON-SENSOR1
MCU discovery board for SPC5 Chorus 4M automotive microcontroller with CAN transceivers	AEK-MCU-C4MLIT1
MEMS sensor boards in DIL 24 socket	STEVAL-MKI193V1/ STEVAL-MKI206V1/ STEVAL-MKI208V1K/ STEVAL-MKI209V1K/ STEVAL-MKI211V1K/ STEVAL-MIC006V1
AutoDevKit library plugin for SPC5-STUDIO	STSW-AUTODEVKIT
Applications	In-Vehicle Infotainment/ Electro-Mobility/ Telematics Box

1 Block diagram

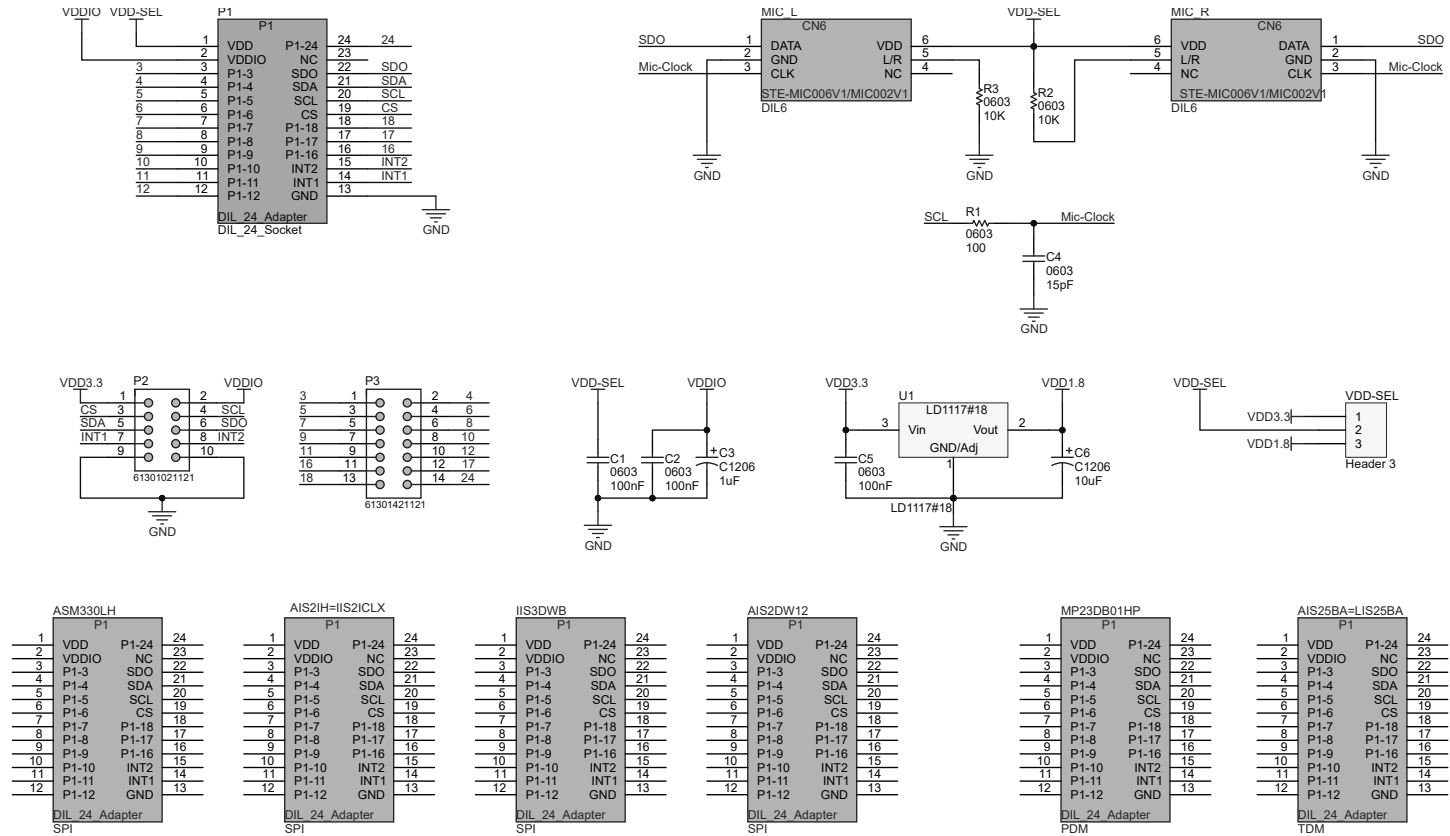
Figure 1. AEK-CON-SENSOR1 block diagram



2 Schematic diagram



Figure 2. AEK-CON-SENSOR1 circuit schematic



Revision history

Table 1. Document revision history

Date	Version	Changes
10-Feb-2021	1	Initial release.

IMPORTANT NOTICE – PLEASE READ CAREFULLY

STMicroelectronics NV and its subsidiaries (“ST”) reserve the right to make changes, corrections, enhancements, modifications, and improvements to ST products and/or to this document at any time without notice. Purchasers should obtain the latest relevant information on ST products before placing orders. ST products are sold pursuant to ST’s terms and conditions of sale in place at the time of order acknowledgement.

Purchasers are solely responsible for the choice, selection, and use of ST products and ST assumes no liability for application assistance or the design of Purchasers’ products.

No license, express or implied, to any intellectual property right is granted by ST herein.

Resale of ST products with provisions different from the information set forth herein shall void any warranty granted by ST for such product.

ST and the ST logo are trademarks of ST. For additional information about ST trademarks, please refer to www.st.com/trademarks. All other product or service names are the property of their respective owners.

Information in this document supersedes and replaces information previously supplied in any prior versions of this document.

© 2021 STMicroelectronics – All rights reserved