

45 mm x 65 mm antenna reference board with external ESD protection for the M24LR16E-R Dual Interface EEPROM

Data brief



Description

The ANT10-M24LR16E antenna reference board is a ready-to-use PCB that features an M24LR16E-R Dual Interface EEPROM IC connected to a 45 mm x 65 mm RF etched antenna, and to an I²C bus on the other side.

A DSILC6-4P6 external ESD protection is mounted on the M24LR16E-R antenna inputs to increase the ESD immunity to ESD discharges on antenna up to the IEC. 61400-4-2 class 4 level. Please refer to the application note AN4326 “Increasing the M24LRXXE-R family ESD robustness on antenna using an external ESD protection” for more details about implementing an external ESD protection on M24LRXX antennas.

The ANT10-M24LR16E antenna allows system designers to evaluate the M24LR16E-R performance and capabilities and to get started with their design.

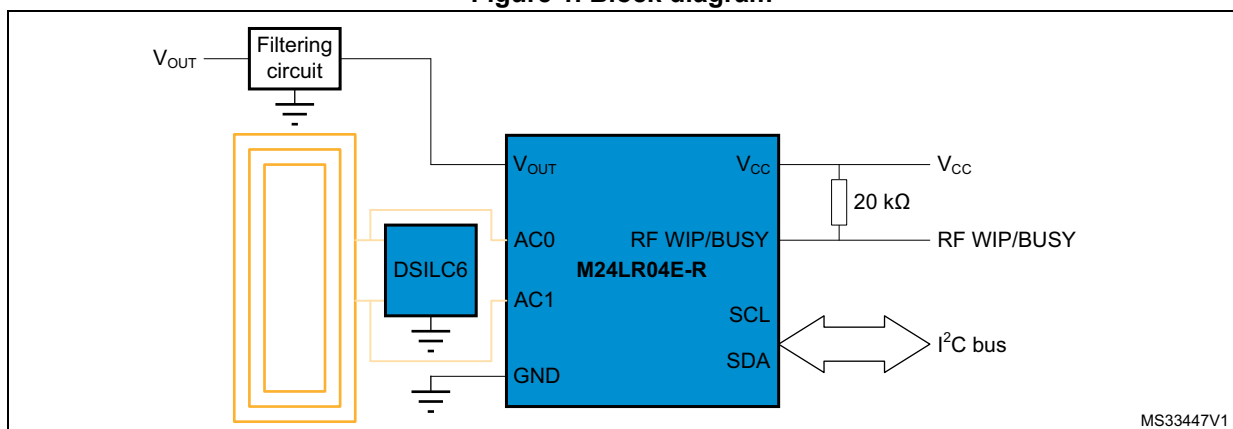
To demonstrate the energy harvesting function, the ANT10-M24LR16E can be used in conjunction with the DEMO-CR95HF-A demonstration boards.

The ANT10-M24LR16E gerber files can be downloaded from <http://www.st.com>.

Features

- Ready-to-use printed circuit board (PCB) including
 - 45 mm x 65 mm 13.56 MHz inductive antenna etched on the PCB
 - M24LR16E-R Dual Interface EEPROM
 - DSILC6-4P6 external ESD protection for IEC. 61400-4-2 classe 4 ESD robustness
 - I²C connector
 - Energy harvesting output (V_{OUT}) with a 10 nF capacitance filtering circuit
 - RF WIP/BUSY output with 20 kΩ pull-up resistor, to indicate that an RF operation is ongoing

Figure 1. Block diagram



MS33447V1

Associated firmware and PC software

The ANT10-M24LR16E board is supported by a PC software, the Dual Interface EEPROM tool software, that allows to configure and control the energy harvesting. This software is available from <http://www.st.com>.

Refer to application note AN3954 "*Developing your own Visual Basic or C/C++ application on a DEMO-CR95HF-A demonstration board*", for how to adapt the PC software for your application.

1 Revision history

Table 1. Document revision history

| Date | Revision | Changes |
|-------------|----------|------------------|
| 17-Oct-2013 | 1 | Initial release. |

Please Read Carefully:

Information in this document is provided solely in connection with ST products. STMicroelectronics NV and its subsidiaries ("ST") reserve the right to make changes, corrections, modifications or improvements, to this document, and the products and services described herein at any time, without notice.

All ST products are sold pursuant to ST's terms and conditions of sale.

Purchasers are solely responsible for the choice, selection and use of the ST products and services described herein, and ST assumes no liability whatsoever relating to the choice, selection or use of the ST products and services described herein.

No license, express or implied, by estoppel or otherwise, to any intellectual property rights is granted under this document. If any part of this document refers to any third party products or services it shall not be deemed a license grant by ST for the use of such third party products or services, or any intellectual property contained therein or considered as a warranty covering the use in any manner whatsoever of such third party products or services or any intellectual property contained therein.

UNLESS OTHERWISE SET FORTH IN ST'S TERMS AND CONDITIONS OF SALE ST DISCLAIMS ANY EXPRESS OR IMPLIED WARRANTY WITH RESPECT TO THE USE AND/OR SALE OF ST PRODUCTS INCLUDING WITHOUT LIMITATION IMPLIED WARRANTIES OF MERCHANTABILITY, FITNESS FOR A PARTICULAR PURPOSE (AND THEIR EQUIVALENTS UNDER THE LAWS OF ANY JURISDICTION), OR INFRINGEMENT OF ANY PATENT, COPYRIGHT OR OTHER INTELLECTUAL PROPERTY RIGHT.

ST PRODUCTS ARE NOT DESIGNED OR AUTHORIZED FOR USE IN: (A) SAFETY CRITICAL APPLICATIONS SUCH AS LIFE SUPPORTING, ACTIVE IMPLANTED DEVICES OR SYSTEMS WITH PRODUCT FUNCTIONAL SAFETY REQUIREMENTS; (B) AERONAUTIC APPLICATIONS; (C) AUTOMOTIVE APPLICATIONS OR ENVIRONMENTS, AND/OR (D) AEROSPACE APPLICATIONS OR ENVIRONMENTS. WHERE ST PRODUCTS ARE NOT DESIGNED FOR SUCH USE, THE PURCHASER SHALL USE PRODUCTS AT PURCHASER'S SOLE RISK, EVEN IF ST HAS BEEN INFORMED IN WRITING OF SUCH USAGE, UNLESS A PRODUCT IS EXPRESSLY DESIGNATED BY ST AS BEING INTENDED FOR "AUTOMOTIVE, AUTOMOTIVE SAFETY OR MEDICAL" INDUSTRY DOMAINS ACCORDING TO ST PRODUCT DESIGN SPECIFICATIONS. PRODUCTS FORMALLY ESCC, QML OR JAN QUALIFIED ARE DEEMED SUITABLE FOR USE IN AEROSPACE BY THE CORRESPONDING GOVERNMENTAL AGENCY.

Resale of ST products with provisions different from the statements and/or technical features set forth in this document shall immediately void any warranty granted by ST for the ST product or service described herein and shall not create or extend in any manner whatsoever, any liability of ST.

ST and the ST logo are trademarks or registered trademarks of ST in various countries.

Information in this document supersedes and replaces all information previously supplied.

The ST logo is a registered trademark of STMicroelectronics. All other names are the property of their respective owners.

© 2013 STMicroelectronics - All rights reserved

STMicroelectronics group of companies

Australia - Belgium - Brazil - Canada - China - Czech Republic - Finland - France - Germany - Hong Kong - India - Israel - Italy - Japan - Malaysia - Malta - Morocco - Philippines - Singapore - Spain - Sweden - Switzerland - United Kingdom - United States of America

www.st.com