

14 mm x 14 mm antenna reference board for the M24SR64-Y dual interface EEPROM

Data brief



- I2C test points
- Open drain user configurable output to indicate an ongoing RF operation (GPO)
- Digital RF disable input (DIS)

Table 1. Device summary

Reference	Order code
ANT7-T-M24SR64	ANT7-T-M24SR64A

Description

The ANT7-T-M24SR antenna reference board is a ready-to-use PCB that features an M24SR64-Y dual interface EEPROM connected to a 14 mm x 14 mm 13.56 MHz etched RF double layer antenna on one side, and to an I2C bus on the other side.

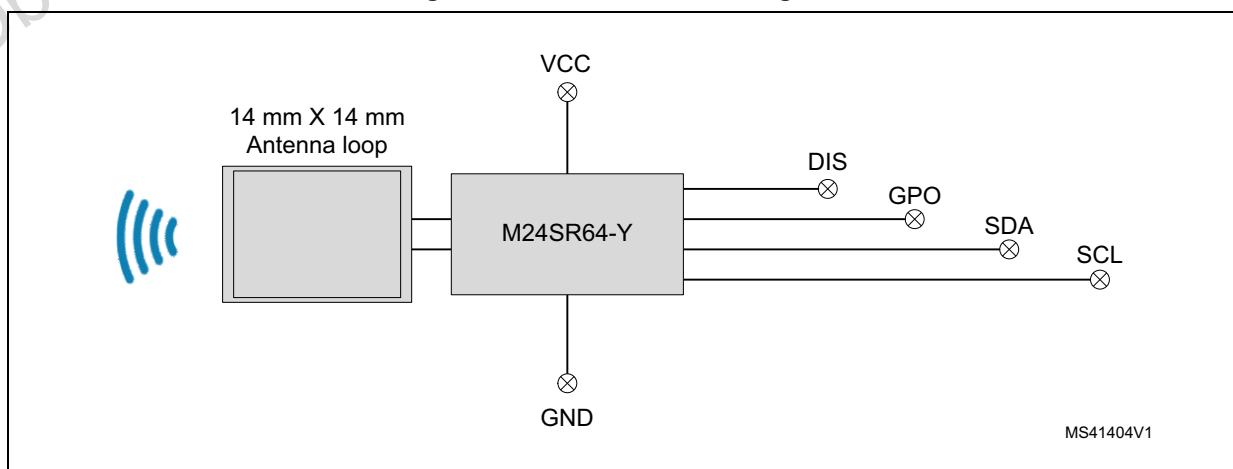
The ANT7-T-M24SR64 demonstration board allows system designers to evaluate the M24SR64-Y performance and capabilities, and to get started with their design.

The ANT7-T-M24SR64 design and the Gerber files can be downloaded from www.st.com.

Features

- Ready to use printed circuit board including:
 - M24SR64-Y dual interface EEPROM
 - 14 mm x 14 mm 13.56 MHz dual layer etched antenna

Figure 1. Functional block diagram



1 Revision history

Table 2. Document revision history

Date	Revision	Changes
11-Apr-2016	1	Initial release.

Obsolete Product(s) - Obsolete Product(s)

IMPORTANT NOTICE – PLEASE READ CAREFULLY

STMicroelectronics NV and its subsidiaries ("ST") reserve the right to make changes, corrections, enhancements, modifications, and improvements to ST products and/or to this document at any time without notice. Purchasers should obtain the latest relevant information on ST products before placing orders. ST products are sold pursuant to ST's terms and conditions of sale in place at the time of order acknowledgement.

Purchasers are solely responsible for the choice, selection, and use of ST products and ST assumes no liability for application assistance or the design of Purchasers' products.

No license, express or implied, to any intellectual property right is granted by ST herein.

Resale of ST products with provisions different from the information set forth herein shall void any warranty granted by ST for such product.

ST and the ST logo are trademarks of ST. All other product or service names are the property of their respective owners.

Information in this document supersedes and replaces information previously supplied in any prior versions of this document.

© 2016 STMicroelectronics – All rights reserved

