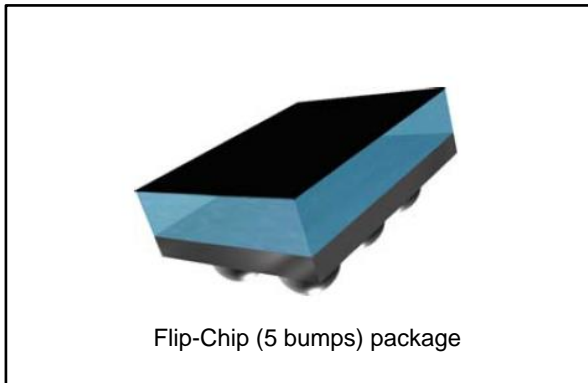


## Ultra thin balun BALF-NRF01J5 companionship for nRF51822-CTAA/CTAC

Data brief



### Description

This device is an ultra-miniature extra thin balun that integrates matching network and harmonics filter.

Matching impedance has been customized for the nRF51822-CTAA and CTAC WLCSP Nordic Semiconductor circuits.

Based on IPD technology on high resistivity silicium it optimizes the RF performance.

The BALF-NRF01J5 has been tested and approved by Nordic Semiconductor.

### Features

- 50  $\Omega$  nominal input / conjugate match to Nordic Semiconductor chips nRF51822 WLCSP
- Low insertion loss
- Low amplitude imbalance
- Low phase imbalance
- Small footprint: < 1.2 mm<sup>2</sup>

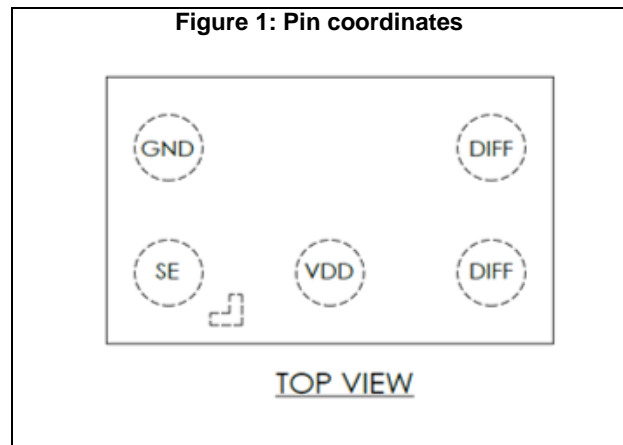
### Benefits

- Extra low profile < 350  $\mu\text{m}$  after reflow
- High RF performance
- RF BOM and area reduction

### Applications

- 2.45 GHz impedance matched balun filter
- Optimized for Nordic's chip set nRF51822-CTAA, CTAC
- Wearable applications
- Product dedicated to smart card applications

Figure 1: Pin coordinates



## 1 Ordering information

Table 1: Ordering information

Order code	Marking	Package	Weight	Base qty.	Delivery mode
BALF-NRF01J5	TL	Flip-Chip 5 bumps	0.631 mg	5000	Tape and reel

## 2 Revision history

Table 2: Document revision history

Date	Revision	Changes
22-Sep-2017	1	Initial release.

**IMPORTANT NOTICE – PLEASE READ CAREFULLY**

STMicroelectronics NV and its subsidiaries ("ST") reserve the right to make changes, corrections, enhancements, modifications, and improvements to ST products and/or to this document at any time without notice. Purchasers should obtain the latest relevant information on ST products before placing orders. ST products are sold pursuant to ST's terms and conditions of sale in place at the time of order acknowledgement.

Purchasers are solely responsible for the choice, selection, and use of ST products and ST assumes no liability for application assistance or the design of Purchasers' products.

No license, express or implied, to any intellectual property right is granted by ST herein.

Resale of ST products with provisions different from the information set forth herein shall void any warranty granted by ST for such product.

ST and the ST logo are trademarks of ST. All other product or service names are the property of their respective owners.

Information in this document supersedes and replaces information previously supplied in any prior versions of this document.

© 2017 STMicroelectronics – All rights reserved