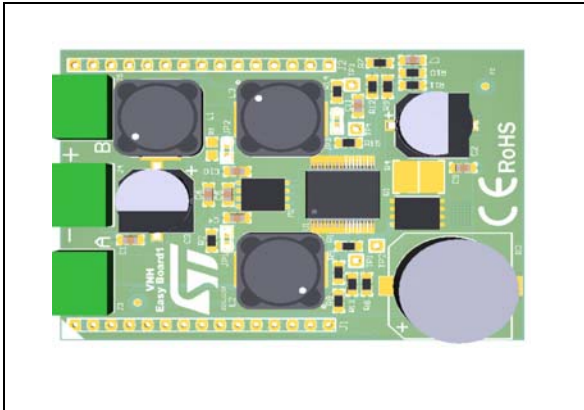


VNHD7008AY Evaluation board

Data brief



H-Bridge. On board minimum set of electrical components (as for device datasheet recommendation) is enabling the user to directly connect the load, the power supply and the microcontroller without any additional effort in external component design and connection. VNHD7008AY is a full bridge motor driver intended for a wide range of automotive applications. The device incorporates a full protected dual high-side driver and the drivers and protections for the two external power MOSFETs in low-side configuration. The device is designed using STMicroelectronics well known and proven proprietary VIPower® technology that allows to efficiently integrate on the same die a true PowerMOSFET with an intelligent signal/protection circuitry. The device is housed in a PowerSSO-36 exposed pad package to optimize the dissipation performances. The input signals INA and INB can directly interface the microcontroller to select the motor direction and the brake conditions. Two selection pins (SEL0 and SEL1) are available to address to the microcontroller the information available on the MultiSense. The MultiSense pin allows to monitor the motor current, provides a voltage proportional to the battery value and the information on the temperature of the chip. The integrated protections are: load current limitation, overload active power limitation (with latch-off), overtemperature shutdown (with latch-off) and cross current protection. The PWM, up to 20 KHz, allows to control the speed of the motor in all possible conditions.

Features

Parameter	Symbol	Value	Unit
Max transient supply voltage	V_{CC}	38	V
Operating voltage range	V_{CC}	4 to 28	V
Typ.on-state resistance	RON per channel	8	mΩ
Current limitation (typ)	I_{LIMH}	51	A
Stand-by current (max)	I_{STBY}	10	μA

- Simple single IC application board dedicated for VNHD7008AY
- Provides electrical connectivity and thermal heat-sinking for easy prototyping

Description

EV-VNHD7008AY provides you an easy way to connect ST VIPower M0-7 HBridge drivers into your existing prototype circuitry. This evaluation board comes preassembled with VNHD7008AY

Table 1. Device summary

Order code	Reference
EV-VNHD7008AY	EV-VNHD7008AY Evaluation Board

Contents

1	Design recommendation	5
2	Board connections	8
3	Thermal data	10
4	Revision history	11

List of tables

Table 1.	Device summary	1
Table 2.	Pin connection and function	8
Table 3.	BOM	9
Table 4.	EV-VNHD7008AY thermal data	10
Table 5.	PCB specification	10
Table 6.	Document revision history	11

List of figures

Figure 1.	VNHD7008AY evaluation board schematic	5
Figure 2.	VNHD7008AY evaluation board top layout	6
Figure 3.	VNHD7008AY evaluation board bottom layout	7

1 Design recommendation

This evaluation board provides mounting and some heat sinking capability for prototype development.

Figure 1. VNHD7008AY evaluation board schematic

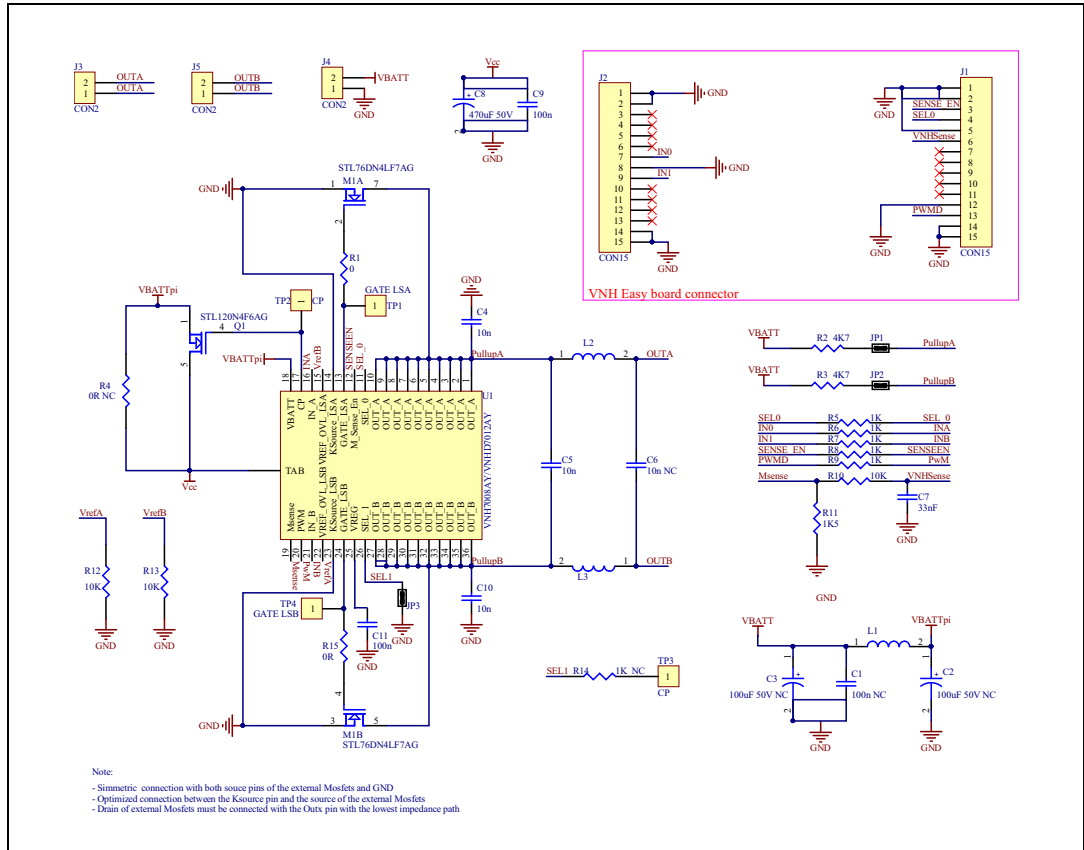


Figure 2. VNHD7008AY evaluation board top layout

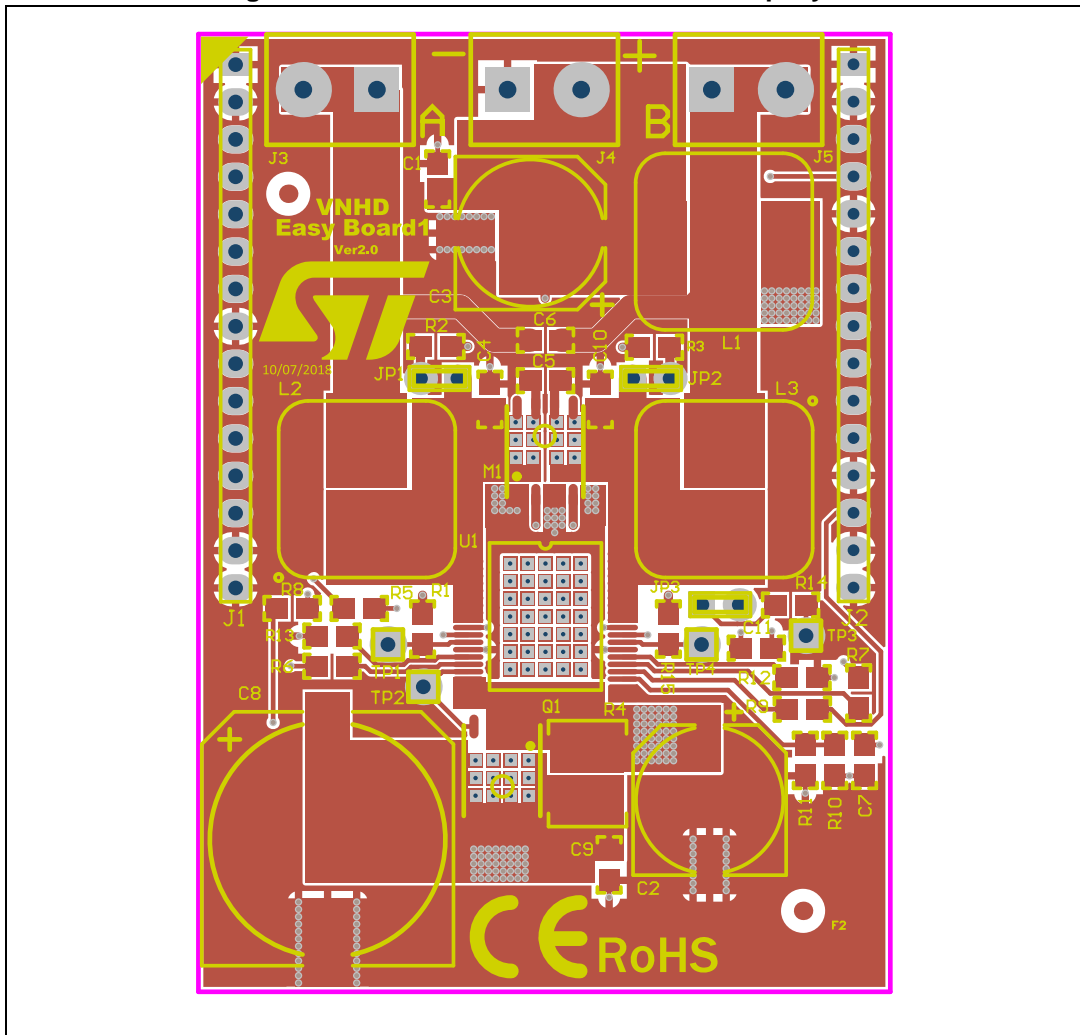
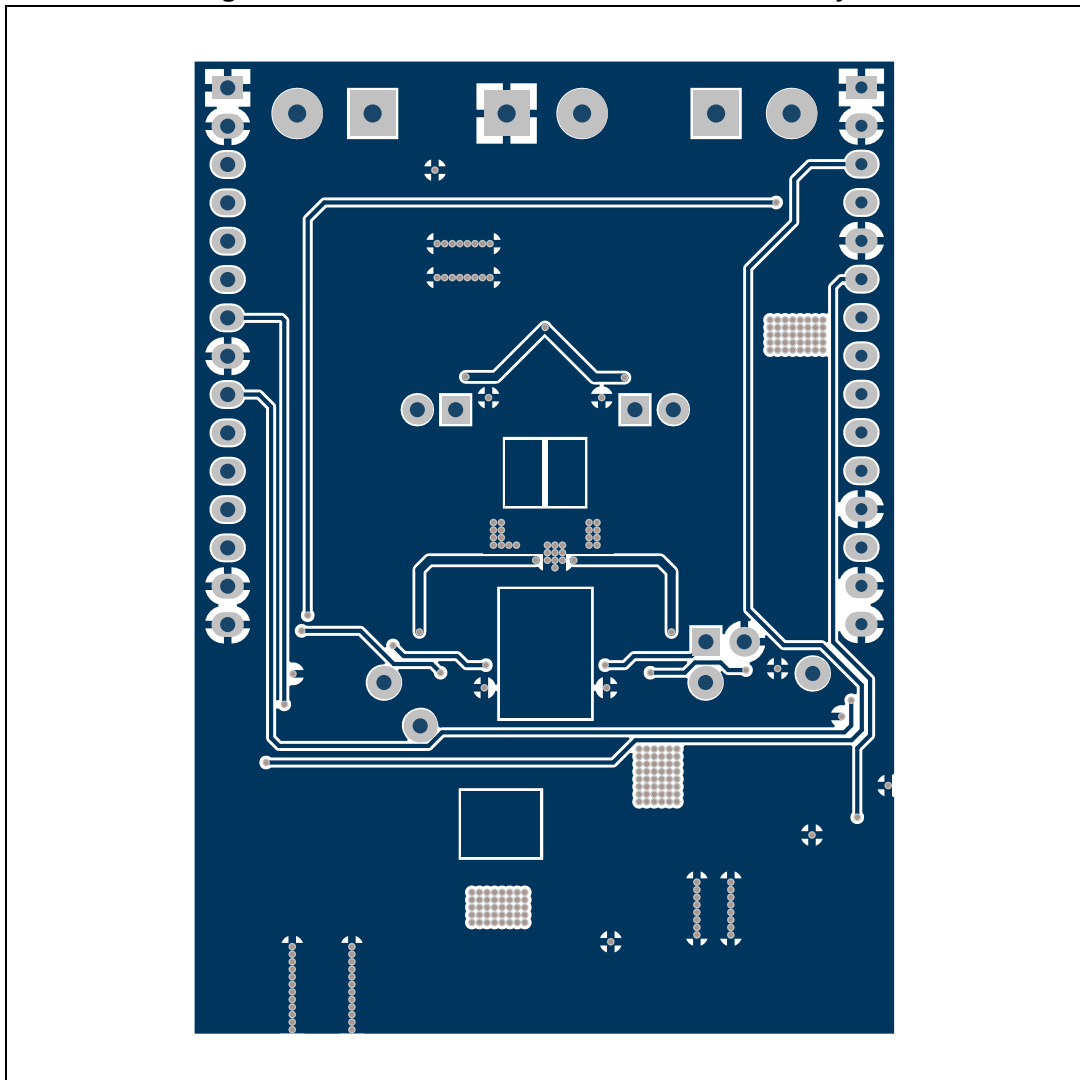


Figure 3. VNHD7008AY evaluation board bottom layout



2 Board connections

Table 2. Pin connection and function

Connector	Board lead number	Device pin function
J1	1, 2, 5, 12, 14, 15	GND
J1	3	SENSE_EN
J1	4	SEL0
J1	6	MULTI-SENSE
J1	13	PWM
J2	1, 2, 8, 14, 15	GND
J2	7	INA
J2	9	INB
J3	1, 2	OUTA
J4	2	VBAT
J4	1	GND
J5	1, 2	OUTB
TP1	1	GATE_LSA
TP2	1	CP
TP3	1	SEL1
TP4	1	GATE_LSB

Table 3. BOM

Component	Value
C1	100 nF nc
C2, C3	100 μ F 50V nc
C4, C5, C10	10 nF
C6	10nF nc
C7	33nF
C8	470 μ F 50V
C9, C11	100 nF
L1, L2, L3	INDUCTOR-SHORTED
M1	STL76DN4LF7AG
Q1	STL120N4F6AG
R1, R15	0R
R2, R3	4.7 K Ω
R4	OR nc
R5, R6, R7, R8, R9, R10	1 K Ω
R11	1.5 K Ω
R12, R13	10 K Ω
R14	1 K Ω nc

3 Thermal data

Table 4. EV-VNHD7008AY thermal data

Symbol	Parameter	Max	Unit
$R_{thj-amb}$	Thermal resistance junction-ambient HSD (MAX)	28	°C/W

Table 5. PCB specification

Symbol	Parameter	Max	Unit
Board dimensions	-	45x65	mm
Number of Cu layer	-	4	μm
Layer Cu thickness	-	35	mm
Board finish thickness	-	1.6 +/-10%	-
Board Material	-	FR4	-
Thermal vias separation	-	1.1 mm	mm
Thermal vias diameter	-	0.5 mm	mm

4 Revision history

Table 6. Document revision history

Date	Revision	Changes
12-Mar-2018	1	Initial release.
25-May-2018	2	Updated Figure 1: VNHD7008AY evaluation board schematic , Figure 2: VNHD7008AY evaluation board top layout , Figure 3: VNHD7008AY evaluation board bottom layout . Updated Table 2: Pin connection and function and Table 3: BOM . Minor text changes.
18-Oct-2018	3	Updated Figure 2: VNHD7008AY evaluation board top layout and Figure 3: VNHD7008AY evaluation board bottom layout . Minor text changes.

IMPORTANT NOTICE – PLEASE READ CAREFULLY

STMicroelectronics NV and its subsidiaries ("ST") reserve the right to make changes, corrections, enhancements, modifications, and improvements to ST products and/or to this document at any time without notice. Purchasers should obtain the latest relevant information on ST products before placing orders. ST products are sold pursuant to ST's terms and conditions of sale in place at the time of order acknowledgement.

Purchasers are solely responsible for the choice, selection, and use of ST products and ST assumes no liability for application assistance or the design of Purchasers' products.

No license, express or implied, to any intellectual property right is granted by ST herein.

Resale of ST products with provisions different from the information set forth herein shall void any warranty granted by ST for such product.

ST and the ST logo are trademarks of ST. All other product or service names are the property of their respective owners.

Information in this document supersedes and replaces information previously supplied in any prior versions of this document.

© 2018 STMicroelectronics – All rights reserved