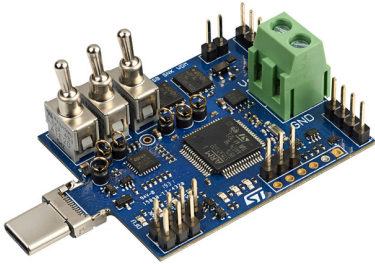


STUSB utility dongle



Features

- USB 2.0 (billboard class) and USB PD3.0 (power delivery) support
- The STUSB4761 NVM configuration tool (DEBUG.ACCESSORY mode)
- The STUSB1602 development board (USB PD SINK mode):
 - power supply exerciser
 - PPS sink controller
 - Vendor defined message support
- DFU mode for dongle software update

Description

The [EVAL-SCS003V1](#) has been designed as a general purpose USB PD dongle, which is able to connect as a sink, debug and audio accessory. It can be used, with an appropriate software package, as a customization tool of the STUSB4761 (through CC communication), or as an evaluation board of the STUSB1602 in order to develop various sink applications such as: power supply exerciser, PPS SINK controller etc...

Product status link

[EVAL-SCS003V1](#)

1 Hardware description

Figure 1. Hardware description

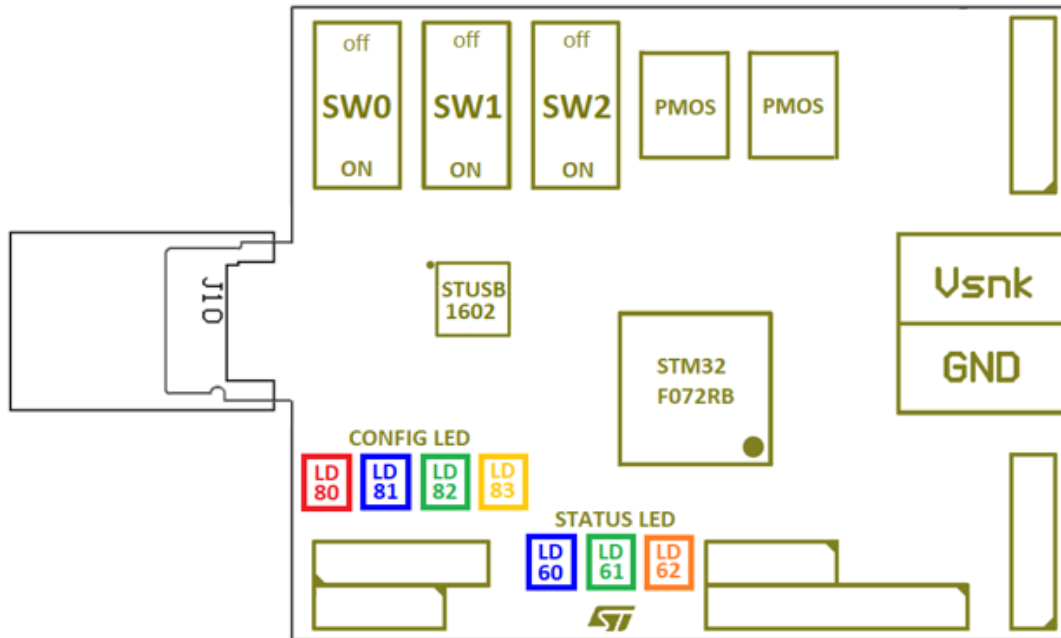


Table 1. Mode switch

MODE	SW0	SW1	SW2	function
SINK	OFF	OFF	OFF	This mode configures the board as a USB PD SINK device
DFU	ON	OFF	OFF	This mode is used to configure and update the dongle
COPY	OFF	ON	ON	This mode configures the board as a STUSB4761 NVM sniffer DEBUG ACCESSORY – READ STUSB4761 NVM
PASTE	OFF	ON	OFF	This mode configures the board as a STUSB4761 customization tool DEBUG ACCESSORY – WRITE STUSB4761 NVM

Table 2. Configured LED

MODE	RED (LD80)	BLUE (LD81)	GREEN (LD82)	ORANGE (LD83)
SINK		ON		
DFU	ON			ON
COPY			ON	
PASTE				ON

Revision history

Table 3. Document revision history

Date	Version	Changes
26-Nov-2019	1	Initial release.
20-Dec-2019	2	Updated the cover image

IMPORTANT NOTICE – PLEASE READ CAREFULLY

STMicroelectronics NV and its subsidiaries (“ST”) reserve the right to make changes, corrections, enhancements, modifications, and improvements to ST products and/or to this document at any time without notice. Purchasers should obtain the latest relevant information on ST products before placing orders. ST products are sold pursuant to ST’s terms and conditions of sale in place at the time of order acknowledgement.

Purchasers are solely responsible for the choice, selection, and use of ST products and ST assumes no liability for application assistance or the design of Purchasers’ products.

No license, express or implied, to any intellectual property right is granted by ST herein.

Resale of ST products with provisions different from the information set forth herein shall void any warranty granted by ST for such product.

ST and the ST logo are trademarks of ST. For additional information about ST trademarks, please refer to www.st.com/trademarks. All other product or service names are the property of their respective owners.

Information in this document supersedes and replaces information previously supplied in any prior versions of this document.

© 2019 STMicroelectronics – All rights reserved