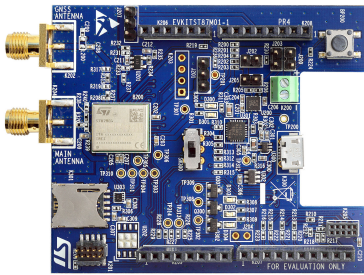


## ST87M01 evaluation kit



### Product status link

[EVKITST87M01-1](#)

### Product summary

<b>Evaluation Kit Code</b>	EVKITST87M01-1
<b>ST87M01 part number</b>	ST87M01

## Features

- KIT composition
  - EVKITST87M01-1 board
  - Micro-B USB cable
  - LTE antenna
  - GNSS antenna
- Board connectors
  - USB connector
  - SMA RF antenna connector
  - SMA GNSS antenna connector
  - External power supply connector
  - Arduino connectors
  - HST (Trace) connector
  - Nano SIM card holder
  - JTAG CM4
- 3 power supply connection options
  - USB connector
  - External connector
  - Arduino connector
- Interfaces
  - UART for AT commands
  - 2 x ADC
  - GPIOs
- LEDs
  - 3 module activity LEDs
  - 2 UART activity LEDs
- Button
  - 1 reset push-button

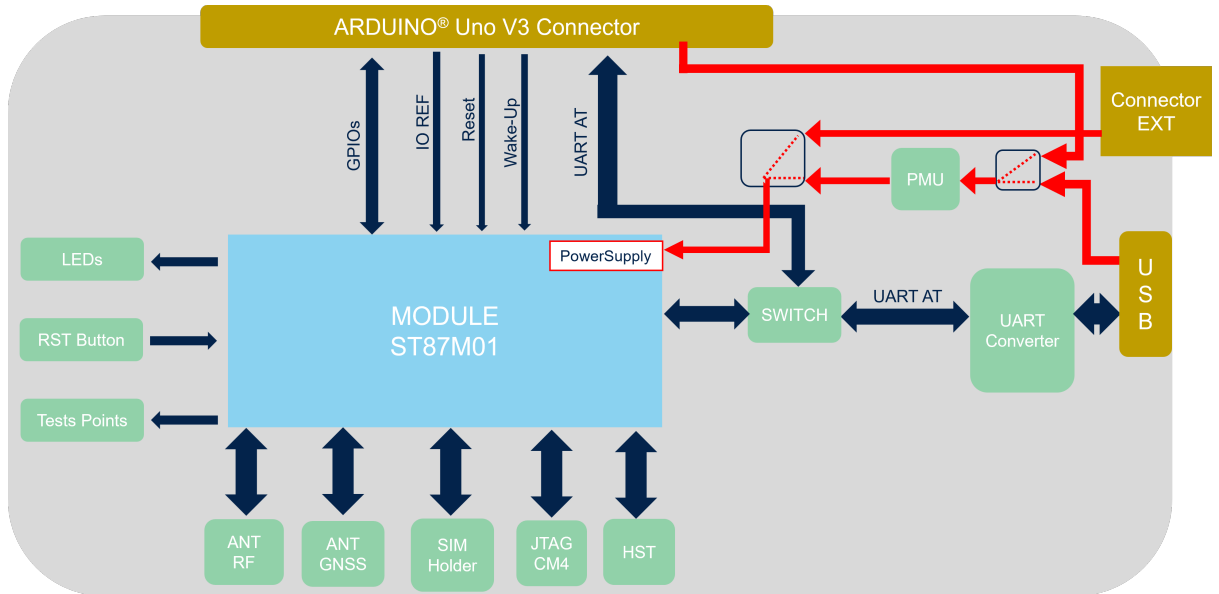
## Description

The [EVKITST87M01-1](#) is an evaluation board for the ST87M01 NB-IoT module. It is designed as an X-NUCLEO Shield form factor with an Arduino® compatible connector.

Besides, two HOST connections to ST87M01 are possible: a PC or associate board.

# 1 System overview

**Figure 1. System overview**



## Revision history

**Table 1. Document revision history**

Date	Version	Changes
02-Jul-2024	1	Initial release.
18-Dec-2024	2	Corrected RPN reference links

**IMPORTANT NOTICE – READ CAREFULLY**

STMicroelectronics NV and its subsidiaries (“ST”) reserve the right to make changes, corrections, enhancements, modifications, and improvements to ST products and/or to this document at any time without notice. Purchasers should obtain the latest relevant information on ST products before placing orders. ST products are sold pursuant to ST’s terms and conditions of sale in place at the time of order acknowledgment.

Purchasers are solely responsible for the choice, selection, and use of ST products and ST assumes no liability for application assistance or the design of purchasers’ products.

No license, express or implied, to any intellectual property right is granted by ST herein.

Resale of ST products with provisions different from the information set forth herein shall void any warranty granted by ST for such product.

ST and the ST logo are trademarks of ST. For additional information about ST trademarks, refer to [www.st.com/trademarks](http://www.st.com/trademarks). All other product or service names are the property of their respective owners.

Information in this document supersedes and replaces information previously supplied in any prior versions of this document.

© 2024 STMicroelectronics – All rights reserved