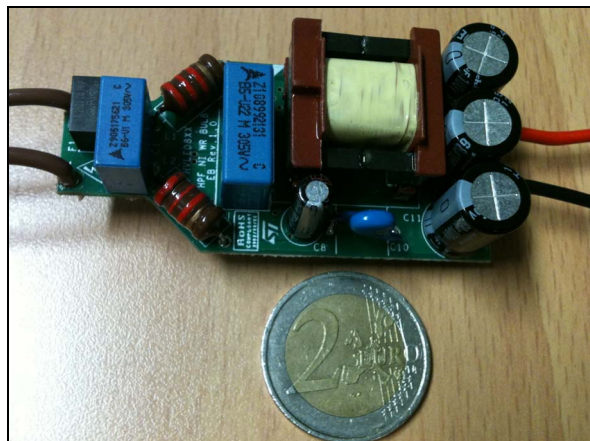


10 W wide range non-isolated high power factor LED driver using HVLED815PF

Data brief



Features

- 10 W LED driver
- Single stage HPF buck-boost
- Primary side regulation - no optocoupler
- Power factor > 0.9
- LED driver efficiency > 85%
- THD < 25%
- Wide input range (85 - 265) Vac

Description

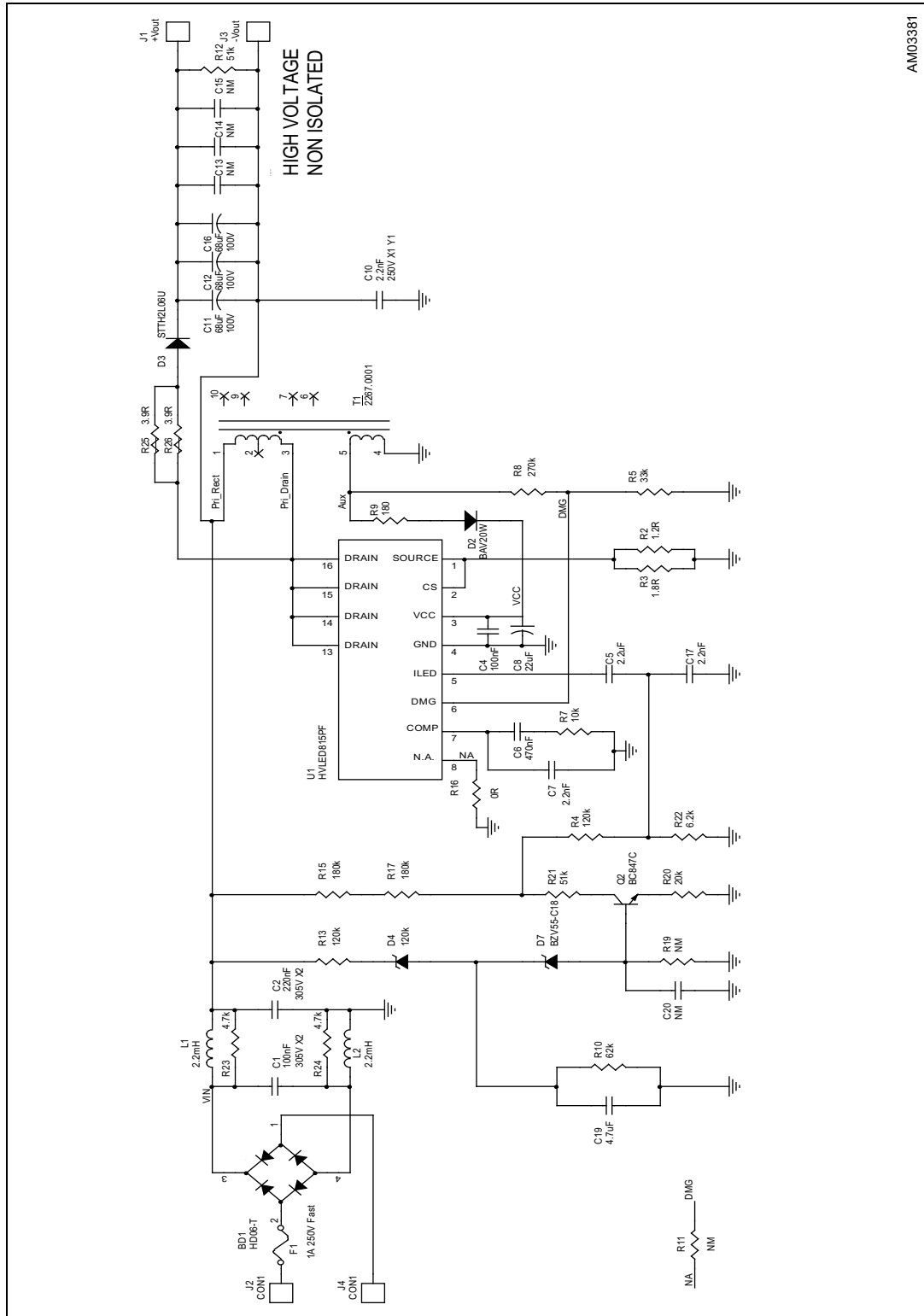
The EVLHVLED815W10A is a non-isolated 10 W, wide range, regulated LED driver using the HVLED815PF device, with a high power factor and a constant output current regulation.

The maximum power and form factor have been designed for the lighting market, facilitating the replacement of the incandescent lamps.

The patented primary side regulation, the internal high voltage primary switcher operating directly from the rectified mains and the high voltage start-up generator contained in the HVLED815PF device allow a very cost-effective solution for LED driving.

1 Electrical diagram

Figure 1. EVLHVLED815W10A demonstration board schematic



2 Bill of material

Table 1. Bill of material

Ref.	Value	Description	Manufacturer
PCB	-	HVLED8XX HPF NI WR BULB EB rev. 2.0	TECNOMETAL
BD1	HD06-T	Bridge diode HD06-T 600 V 0.8 A MINIDIP	Diodes
C1	100 nF	CAP X2 305 V MKP P. 10	EPCOS
C2	220 nF	CAP X2 305 V MKP P. 15	EPCOS
C4	100 nF	Cap. ± 10% X7R 50 V 0805	KEMET
C5	2.2 µF	Cap. ±1 0% X5R 25 V 0805	KEMET
C6	470 nF	Cap. ±1 0% X7R 25 V 0805	KEMET
C7, C17	2.2 nF	Cap. ± 5% C0G 50 V 0805	MURATA
C8	22 µF	Cap. ± 20% EL. 50 V 105 °C rad. D5 P 2.5 mm	Panasonic
C10	2.2 nF	Cap. X1 Y1 250 V CERAMIC P.10	Murata
C11, C12, C16	68 µF	Cap. ± 20% EL. 100 V 105 °C LL LOW ESR rad. D10 P 5 mm	Nichicon
C13, C14, C15, C20	N.M.	-	-
C19	4.7 µF	Cap. ± 10% X5R 50 V 1206	TAIYO YUDEN
D2	BAV20W	Diode rect. 150 V 200 mA SOD123	Diodes
D3	STTH2L06U	Diode rect. UFAST STTH2L06U 600 V 2 A SMB	STMicroelectronics
R13	120 kΩ	Res. 1/4 W 1% 100 ppm 1206 SMD	VISHAY
D7	BZV55-C18	Zener 18 V ± 5% 500 mW MINIMELF	NXP
F1	1 A - 250 V - fast	Fuse 1 A 250 V fast radial 8.4 mm x 7.7 mm P 5 mm	MULTICOM
J1	+Vout	Cable color red 0.5 mm ² L.50 mm, stripped and tinned 5 mm	-
J2	CON1	Cable color brown 0.5 mm ² L.50 mm, stripped and tinned 5 mm	-
J3	-Vout	Cable color black 0.5 mm ² L.50 mm, stripped and tinned 5 mm	-
J4	CON1	Cable color brown 0.5 mm ² L.50 mm, stripped and tinned 5 mm	-
L1 L2	2.2 mH	Choke RF 2.2 mH 250 mA Axial D 6.5 L 12 mm	EPCOS
Q2	BC847C	NPN SML SIG G.P. AMP SOT23	NXP
R2	1.2 Ω	Res. 1/4 W 1% 100 ppm 1206 SMD	Panasonic
R3	1.8 Ω	Res. 1/4 W 1% 100 ppm 1206 SMD	Panasonic
R4	120 kΩ	Res. 1/8 W 1% 100 ppm 0805 SMD	VISHAY
R5	33 kΩ	Res. 1/8 W 1% 100 ppm 0805 SMD	VISHAY
R7	10 kΩ	Res. 1/8 W 1% 100 ppm 0805 SMD	VISHAY
R8	270 kΩ	Res. 1/4 W 1% 100 ppm 1206 SMD	VISHAY
R9	180 Ω	Res. 1/8 W 1% 100 ppm 0805 SMD	VISHAY

Table 1. Bill of material (continued)

Ref.	Value	Description	Manufacturer
R10	62 k Ω	Res. 1/8 W 1% 100 ppm 0805 SMD	VISHAY
R12, R21	51 k Ω	Res. 1/8 W 1% 100 ppm 0805 SMD	VISHAY
R11, R19	N.M.	-	-
R15, R17	180 k Ω	Res. 1/4 W 1% 100 ppm 1206 SMD	WELWYN
R16	0 Ω	Res. 0 Ω 0603 SMD	VISHAY
R20	20 k Ω	Res. 1/8 W 1% 100 ppm 0805 SMD	VISHAY
R22	6.2 k Ω	Res. 1/8 W 1% 100 ppm 0805 SMD	VISHAY
R23, R24	4.7 k Ω	Res. 1/8 W 1% 100 ppm 0805 SMD	VISHAY
R25, R26	3.9 Ω	Res. 1/4 W 1% 100 ppm 1206 SMD	VISHAY
T1	2267.0001	Inductor L = 1.1 mH 0.6 A core EF20	Magnetica
U1	HVLED815PF	Offline LED driver HVLED815PF SO16	STMicroelectronics

3 Component layout

Figure 2. Top side

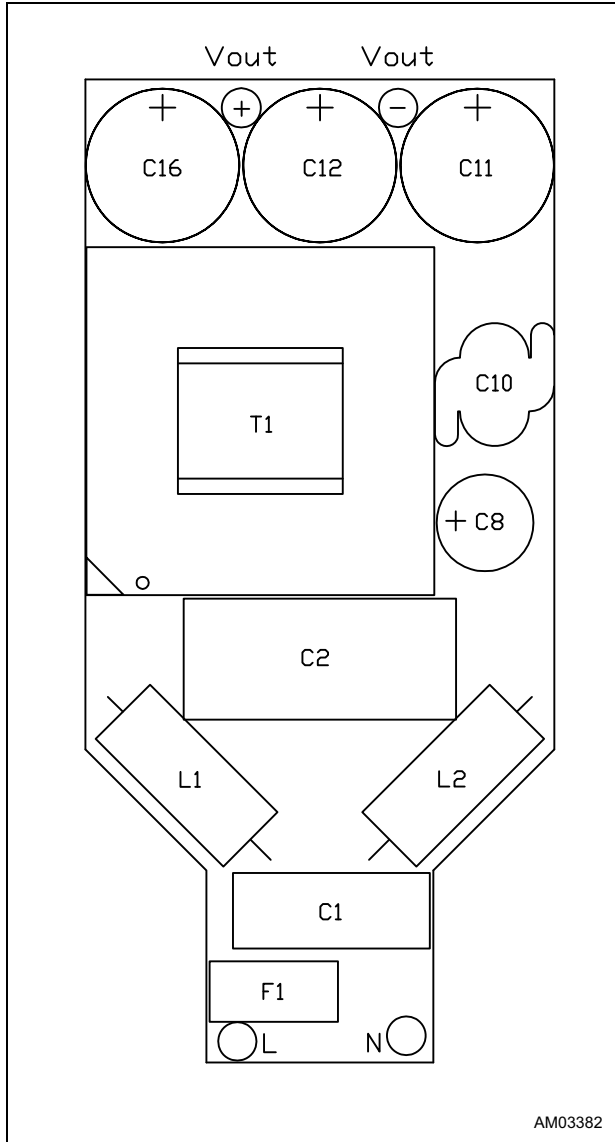
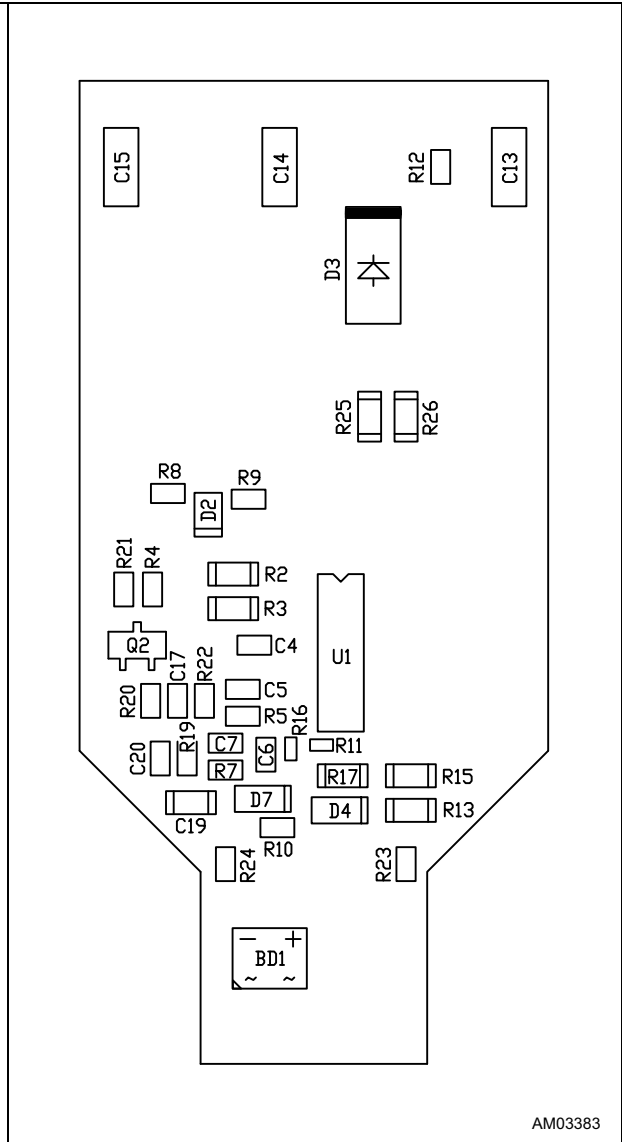


Figure 3. Bottom side



4 Revision history

Table 2. Document revision history

Date	Revision	Changes
09-Jan-2014	1	Initial release.

Please Read Carefully:

Information in this document is provided solely in connection with ST products. STMicroelectronics NV and its subsidiaries ("ST") reserve the right to make changes, corrections, modifications or improvements, to this document, and the products and services described herein at any time, without notice.

All ST products are sold pursuant to ST's terms and conditions of sale.

Purchasers are solely responsible for the choice, selection and use of the ST products and services described herein, and ST assumes no liability whatsoever relating to the choice, selection or use of the ST products and services described herein.

No license, express or implied, by estoppel or otherwise, to any intellectual property rights is granted under this document. If any part of this document refers to any third party products or services it shall not be deemed a license grant by ST for the use of such third party products or services, or any intellectual property contained therein or considered as a warranty covering the use in any manner whatsoever of such third party products or services or any intellectual property contained therein.

UNLESS OTHERWISE SET FORTH IN ST'S TERMS AND CONDITIONS OF SALE ST DISCLAIMS ANY EXPRESS OR IMPLIED WARRANTY WITH RESPECT TO THE USE AND/OR SALE OF ST PRODUCTS INCLUDING WITHOUT LIMITATION IMPLIED WARRANTIES OF MERCHANTABILITY, FITNESS FOR A PARTICULAR PURPOSE (AND THEIR EQUIVALENTS UNDER THE LAWS OF ANY JURISDICTION), OR INFRINGEMENT OF ANY PATENT, COPYRIGHT OR OTHER INTELLECTUAL PROPERTY RIGHT.

ST PRODUCTS ARE NOT DESIGNED OR AUTHORIZED FOR USE IN: (A) SAFETY CRITICAL APPLICATIONS SUCH AS LIFE SUPPORTING, ACTIVE IMPLANTED DEVICES OR SYSTEMS WITH PRODUCT FUNCTIONAL SAFETY REQUIREMENTS; (B) AERONAUTIC APPLICATIONS; (C) AUTOMOTIVE APPLICATIONS OR ENVIRONMENTS, AND/OR (D) AEROSPACE APPLICATIONS OR ENVIRONMENTS. WHERE ST PRODUCTS ARE NOT DESIGNED FOR SUCH USE, THE PURCHASER SHALL USE PRODUCTS AT PURCHASER'S SOLE RISK, EVEN IF ST HAS BEEN INFORMED IN WRITING OF SUCH USAGE, UNLESS A PRODUCT IS EXPRESSLY DESIGNATED BY ST AS BEING INTENDED FOR "AUTOMOTIVE, AUTOMOTIVE SAFETY OR MEDICAL" INDUSTRY DOMAINS ACCORDING TO ST PRODUCT DESIGN SPECIFICATIONS. PRODUCTS FORMALLY ESCC, QML OR JAN QUALIFIED ARE DEEMED SUITABLE FOR USE IN AEROSPACE BY THE CORRESPONDING GOVERNMENTAL AGENCY.

Resale of ST products with provisions different from the statements and/or technical features set forth in this document shall immediately void any warranty granted by ST for the ST product or service described herein and shall not create or extend in any manner whatsoever, any liability of ST.

ST and the ST logo are trademarks or registered trademarks of ST in various countries.

Information in this document supersedes and replaces all information previously supplied.

The ST logo is a registered trademark of STMicroelectronics. All other names are the property of their respective owners.

© 2014 STMicroelectronics - All rights reserved

STMicroelectronics group of companies

Australia - Belgium - Brazil - Canada - China - Czech Republic - Finland - France - Germany - Hong Kong - India - Israel - Italy - Japan - Malaysia - Malta - Morocco - Philippines - Singapore - Spain - Sweden - Switzerland - United Kingdom - United States of America

www.st.com

