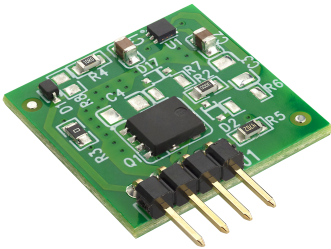


SRK1004x synchronous rectifier controller for non-complementary Active Clamp Flyback converter demonstration board with SR MOSFET

Features



- Secondary-side synchronous rectification controller optimized for Non-Complementary Active Clamp Flyback converter (NC-ACF).
- Able to operate in both low-side and high-side configuration.
- Supporting logic level (A and B) and standard level (C and D) MOSFETs
- Wide range supply voltage: 4 V to 36 V
- DVS (drain-source) sensing voltage for SR MOSFET (190 V AMR)
- Operating frequency up to 500 kHz
- Fast short-circuit detector
- Internal gate drive for N-channel MOSFET
- SR MOSFET type PowerFLAT 5 x 6 reported in table below

Description

The [EVLSRK1004A](#), [EVLSRK1004B](#), [EVLSRK1004C](#), and [EVLSRK1004D](#) are demonstration boards, designed for evaluation of the SRK1004x synchronous rectification controller.

The SRK1004 is a controller intended for secondary side synchronous rectification (SR) in a Non-Complementary Active Clamp Flyback converter. It provides a gate-drive output suitable for N-channel logic-level or standard level power MOSFETs.

The control scheme of this IC is such that the SR MOSFET is switched on as soon as current starts flowing through its body diode and it is then switched off as current approaches zero.

The boards are provided with a setting suitable for ACF or QR application in low-side mode. In this case, the devices are supplied directly from the converter's output voltage.

When operated in high-side configuration, a special function enables a quick detection of short-circuit conditions to inhibit its operation as if the IC were powered directly from the output voltage. In the case that it is used in high-side configuration, it is recommended to power the board from a dedicated auxiliary winding and to use $R5 > 36\text{ K}$ to configure $V_{out,sc}$ (for short-circuit detection with $V_{out} > 0\text{ V}$). For example $R5 = 150\text{ K}$ to configure $V_{out,sc} = 2\text{ V}$.

The boards include the SR MOSFET (PowerFLAT 5 x 6 package) and can be easily implemented into an existing converter to substitute rectifier diodes.

Product status link

[EVLSRK1004A](#)

[EVLSRK1004B](#)

[EVLSRK1004C](#)

[EVLSRK1004D](#)



1 Product summary specification

Table 1. Product summary specification

Product summary									
Board	MOSFET						Controller		
PN	PN	VDS [V]	ID [A]	Rds,on [mΩ]	Lstray [nH]	Tx (anticipation on DVS) [ns]	PN	VCC [V]	Typ. turn-off delay [ns]
EVLSRK1004A	BSC080N12LS-G	120	99	9.5 @4.5V	0.45	47.3	SRK1004A	5.5	25
EVLSRK1004B	BSC034N10LS5	100	156	4.5 @4.5V	0.45	100	SRK1004B	5.5	150
EVLSRK1004C	BSC093N15NS5	150	87	9.3 @10V	0.45	48	SRK1004C	9	25
EVLSRK1004D	STL120N10F8	100	125	4.6 @10V	3	652	SRK1004D	9	150

2 Specifications

Figure 1. EVLSRK1004x - Schematic

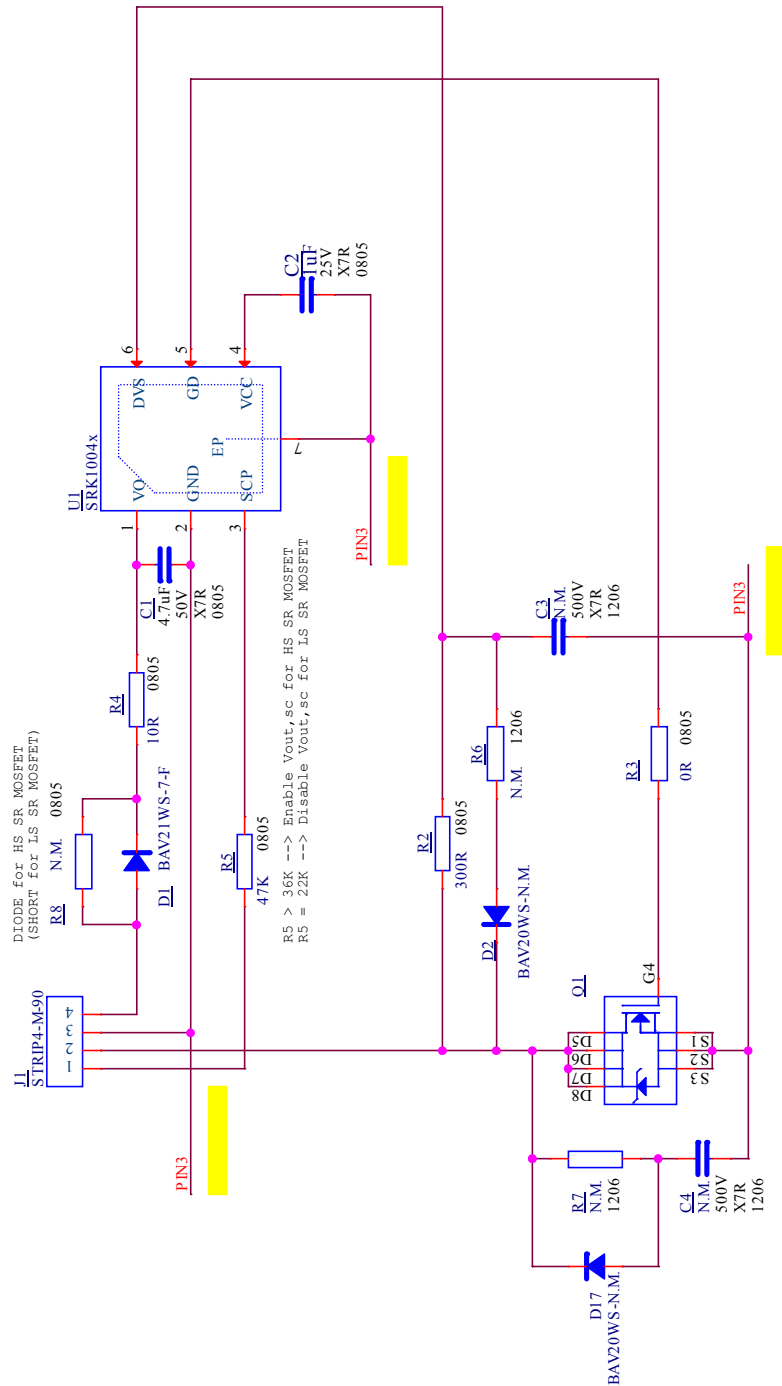


Table 2. EVLSRK1004x - Bill of material

Reference	Value	Description	Package	Manufacturer	Part Number
C1	4.7uF	50V CERCAP X7R - General purpose	0805	TDK	C2012X7R1H475K125AC
C2	1uF	25V CERCAP - X7R - 10%	0805		
C3, C4	N.M.	500V CERCAP - X7R - 10%			
D1	BAV21WS-7-F	SMD Schottky rectifier	SOD-323	Diodes Incorporated	BAV21WS-7-F
D2, D17	BAV20WS-N.M.	Small signal switching diode			
J1	STRIP4-M-90	4 pins strip, right angle, male		Würth	61304011021
Q1	BSC080N12LS-G (A) BSC034N10LS5 (B) BSC093N15NS5 (C) STL120N10F8 (D)	N-Channel power MOSFET 120 V 12A N-Channel power MOSFET 100V 19A/100A N-Channel power MOSFET 100 V 125A N-Channel power MOSFET 150V 87A	8-PowerTDFN	Infineon Infineon Infineon STMicroelectronics	BSC080N12LS-G BSC034N10LS5 BSC093N15NS5 STL120N10F8
R2	300R	SMD standard film RES - 1/8W -5% - 250ppm/°C	0805	MultiComp	MC01W08051300R
R3	0R	SMD standard film RES - 1/8W -5% - 250ppm/°C	0805	Yageo	RC0805JR-070RL
R4	10R	SMD standard film RES - 1/8W -5% - 250ppm/°C	0805		
R5	47K	SMD standard film RES - 1/8W -5% - 250ppm/°C	0805	Yageo	RC0805FR-0747KL
R6, R7	N.M.	SMD standard film RES - 1/8W -5% - 250ppm/°C			
R8	N.M.	SMD standard film RES - 1/8W -5% - 250ppm/°C			
U1	SRK1004A/B/C/D	SRK1004A/B/C/D - VFDFPN 6L 2x2 pitch 0.65	6DFN_2X2	STMicroelectronics	SRK1004A/B/C/D



3 Waste and recycling

The evaluation board is not to be disposed of as urban waste. At the end of its life cycle, waste sorting guidelines must be followed. Consult the local authorities for more information on the proper disposal channels and recycling centers. It is mandatory to discard separately the evaluation board and make sure it is delivered to the appropriate waste management and recycling centers. As of 15 August 2018, in all the countries belonging to the European Union, the evaluation board is subject to the requirements of the WEEE Directive **2012/19/EU**, and therefore it is forbidden to dispose of the evaluation board as undifferentiated waste or with other domestic waste. Improper disposal of the evaluation board may cause damage to the environment and violators may incur fines based on specific countries' rules, regulations, and laws.



Revision history

Table 3. Document revision history

Date	Version	Changes
02-Nov-2023	1	Initial release.



Contents

1	Product summary specification	2
2	Specifications	3
3	Waste and recycling	5
	Revision history	6
	List of tables	8
	List of figures	9



List of tables

Table 1.	Product summary specification	2
Table 2.	EVLSRK1004x - Bill of material	4
Table 3.	Document revision history	6



List of figures

Figure 1. EVLSRK1004x - Schematic 3



IMPORTANT NOTICE – READ CAREFULLY

STMicroelectronics NV and its subsidiaries (“ST”) reserve the right to make changes, corrections, enhancements, modifications, and improvements to ST products and/or to this document at any time without notice. Purchasers should obtain the latest relevant information on ST products before placing orders. ST products are sold pursuant to ST’s terms and conditions of sale in place at the time of order acknowledgment.

Purchasers are solely responsible for the choice, selection, and use of ST products and ST assumes no liability for application assistance or the design of purchasers’ products.

No license, express or implied, to any intellectual property right is granted by ST herein.

Resale of ST products with provisions different from the information set forth herein shall void any warranty granted by ST for such product.

ST and the ST logo are trademarks of ST. For additional information about ST trademarks, refer to www.st.com/trademarks. All other product or service names are the property of their respective owners.

Information in this document supersedes and replaces information previously supplied in any prior versions of this document.

© 2023 STMicroelectronics – All rights reserved