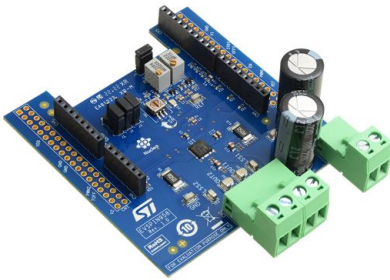


Single brushed DC motor driver expansion board based on STSPIN958



Features

- Voltage range from 5 V to 58 V
- Phase current up to 5 A r.m.s
- Adjustable output slew rate
- Seven different driving modes
- Current limiter with adjustable off-time
- Two integrated amplifiers with fixed gain
- Full protection set including: overcurrent, undervoltage lockout, and thermal shutdown
- Compatible with Arduino® UNO R3 connector and STM32 Nucleo boards

Description

The EVSPIN958 single brushed DC motor driver expansion board is based on the STSPIN958.

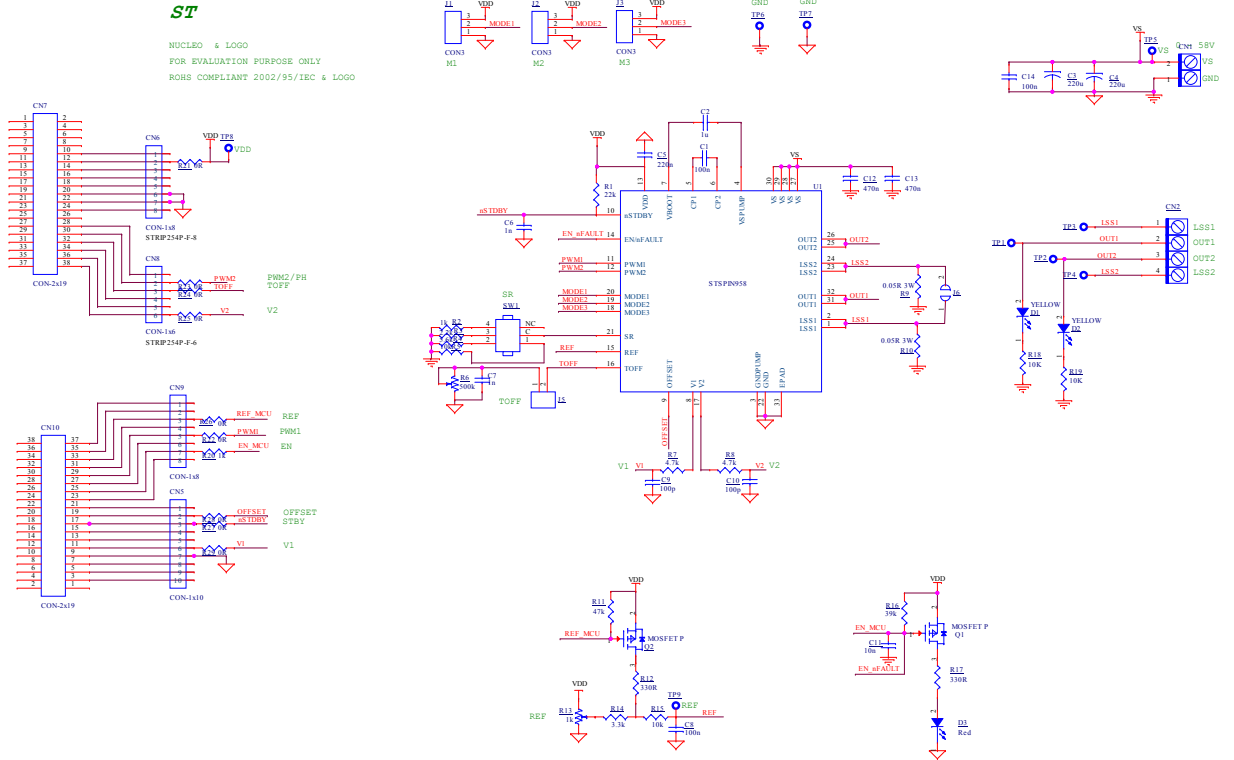
It provides an affordable and easy-to-use solution for the implementation of brushed DC motor driving applications. Thanks to the parallel operation, it can be easily converted to a single half-bridge with double current capability. In addition to the internal current limiter, the integrated amplifiers allow it to be used in systems with external current control. The EVSPIN958 is compatible with the Arduino® UNO R3 connector and most STM32 Nucleo boards.

Product status link

[EVSPIN958](#)

1 EVSPIN958 schematic diagram

Figure 1. Board schematic



Revision history

Table 1. Document revision history

Date	Version	Changes
21-Sep-2022	1	Initial release.

Contents

1	EVSPIN958 schematic diagram	2
	Revision history	3

IMPORTANT NOTICE – READ CAREFULLY

STMicroelectronics NV and its subsidiaries (“ST”) reserve the right to make changes, corrections, enhancements, modifications, and improvements to ST products and/or to this document at any time without notice. Purchasers should obtain the latest relevant information on ST products before placing orders. ST products are sold pursuant to ST’s terms and conditions of sale in place at the time of order acknowledgment.

Purchasers are solely responsible for the choice, selection, and use of ST products and ST assumes no liability for application assistance or the design of purchasers’ products.

No license, express or implied, to any intellectual property right is granted by ST herein.

Resale of ST products with provisions different from the information set forth herein shall void any warranty granted by ST for such product.

ST and the ST logo are trademarks of ST. For additional information about ST trademarks, refer to www.st.com/trademarks. All other product or service names are the property of their respective owners.

Information in this document supersedes and replaces information previously supplied in any prior versions of this document.

© 2022 STMicroelectronics – All rights reserved