

High current MOSFET driver

Data Brief

Features

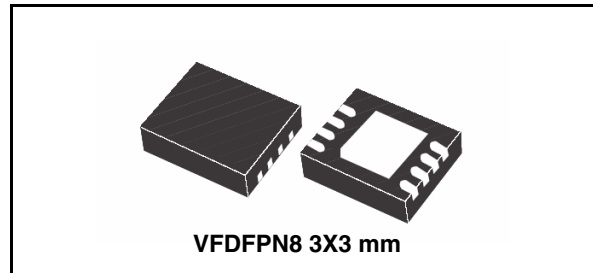
- Dual MOSFET driver for synchronous rectified converters
- High driving current for fast external MOSFET switching
- Integrated bootstrap diode
- High frequency operation
- Enable pin
- Adaptive dead-time management
- Flexible gate-drive: 5 V to 12 V compatible
- High-impedance (HiZ) Management for output stage shutdown
- Preliminary OV protection
- VFDFPN8 3x3 package

Applications

- High current VRM / VRD for desktop / server / workstation CPUs
- High current and high efficiency DC-DC Converters

Description

L6743B is a flexible, high-frequency dual-driver specifically designed to drive N-channel MOSFETs connected in synchronous-rectified buck topology.



Combined with ST PWM controllers, the driver allows implementing complete voltage regulator solutions for modern high-current CPUs and DCDC conversion in general. L6743B embeds high-current drivers for both high-side and low-side MOSFETs. The device accepts flexible power supply (5 V to 12 V) to optimize the gate-drive voltage for high-side and low-side maximizing the system efficiency.

The Bootstrap diode is embedded saving the use of external diodes. Anti shoot-through management avoids high-side and low-side MOSFET to conduct simultaneously and, combined with adaptive dead-time control, minimizes the LS body diode conduction time.

L6743B embeds Preliminary OV Protection: after Vcc overcomes the UVLO and while the device is in HiZ, the LS MOSFET is turned ON to protect the load in case the output voltage overcomes a warning threshold protecting the output against HS failures.

The driver is available in VFDFPN8 3x3 mm packages.

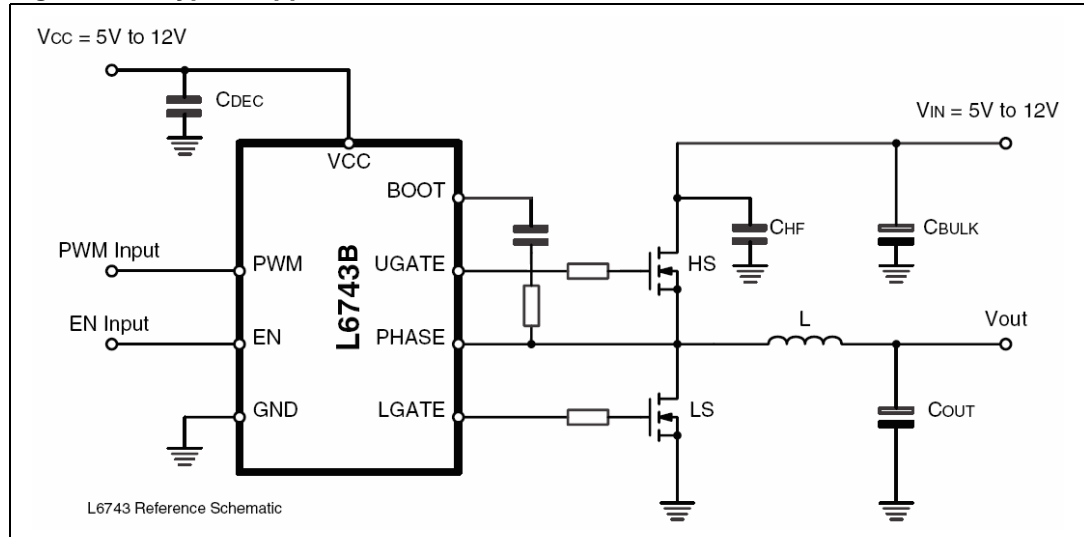
Table 1. Device summary

Order codes	Package	Packaging
L6743B	VFDFPN8	Tube
L6743BTR	VFDFPN8	Tape and reel

1 Typical application circuit and block diagram

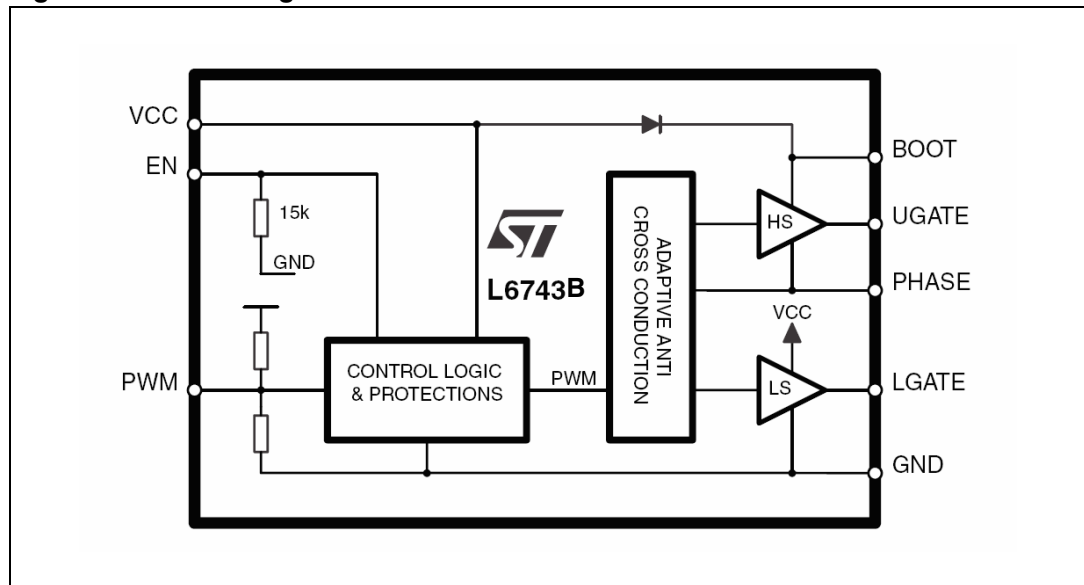
1.1 Application circuit

Figure 1. Typical application circuit



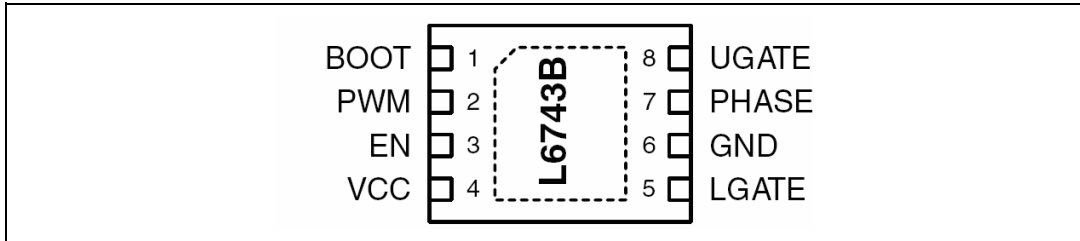
1.2 Block diagram

Figure 2. Block diagram



2 Pins description and connection diagrams

Figure 3. Pins connection (top view)



2.1 Pin description

Table 2. Pin description

Pin #	Name	Function
1	BOOT	High-Side Driver Supply. This pin supplies the High-Side floating driver. Connect through a R _{BOOT-CBOOT} capacitor to the PHASE pin. Internally connected to the cathode of the integrated Bootstrap diode.
2	PWM	Control input for the driver, 5V compatible. This pin controls the state of the driver and which external MOSFET have to be turned-ON according to EN status. If left floating and in conjunction with EN asserted, it causes the driver to enter the High-Impedance (HiZ) state which causes all mosfets to be OFF.
3	EN	Enable Input for the Driver. Internally pulled low by 15kΩ. Pull High to enable the driver according to the PWM status. If pulled low will cause the drive to enter HiZ state with all mosfet OFF regardless of the PWM status.
4	VCC	Device and LS Driver power supply. Connect to any voltage between 5 V and 12 V. Bypass with low-ESR MLCC capacitor to GND.
5	LGATE	Low-Side Driver Output. Connect directly to the Low-Side MOSFET gate. A small series resistor can be useful to reduce dissipated power especially in high frequency applications.
6	GND	All internal references, logic and drivers are referenced to this pin. Connect to the PCB ground plane.
7	PHASE	High-Side Driver return Path. Connect to the High-Side MOSFET Source. This pin is also monitored for the adaptive dead-time management and Pre-OV Protection.
8	UGATE	High-Side Driver Output. Connect to High-Side MOSFET gate.
-	TH. PAD	Thermal pad connects the Silicon substrate and makes good thermal contact with the PCB. Connect to the PGND plane.

3 Package mechanical data

In order to meet environmental requirements, ST offers these devices in ECOPACK[®] packages. These packages have a Lead-free second level interconnect. The category of second level interconnect is marked on the package and on the inner box label, in compliance with JEDEC Standard JESD97. The maximum ratings related to soldering conditions are also marked on the inner box label. ECOPACK is an ST trademark. ECOPACK specifications are available at: www.st.com

4 Revision history

Table 3. Document revision history

Date	Revision	Changes
19-Feb-2008	1	Initial release.

Please Read Carefully:

Information in this document is provided solely in connection with ST products. STMicroelectronics NV and its subsidiaries ("ST") reserve the right to make changes, corrections, modifications or improvements, to this document, and the products and services described herein at any time, without notice.

All ST products are sold pursuant to ST's terms and conditions of sale.

Purchasers are solely responsible for the choice, selection and use of the ST products and services described herein, and ST assumes no liability whatsoever relating to the choice, selection or use of the ST products and services described herein.

No license, express or implied, by estoppel or otherwise, to any intellectual property rights is granted under this document. If any part of this document refers to any third party products or services it shall not be deemed a license grant by ST for the use of such third party products or services, or any intellectual property contained therein or considered as a warranty covering the use in any manner whatsoever of such third party products or services or any intellectual property contained therein.

UNLESS OTHERWISE SET FORTH IN ST'S TERMS AND CONDITIONS OF SALE ST DISCLAIMS ANY EXPRESS OR IMPLIED WARRANTY WITH RESPECT TO THE USE AND/OR SALE OF ST PRODUCTS INCLUDING WITHOUT LIMITATION IMPLIED WARRANTIES OF MERCHANTABILITY, FITNESS FOR A PARTICULAR PURPOSE (AND THEIR EQUIVALENTS UNDER THE LAWS OF ANY JURISDICTION), OR INFRINGEMENT OF ANY PATENT, COPYRIGHT OR OTHER INTELLECTUAL PROPERTY RIGHT.

UNLESS EXPRESSLY APPROVED IN WRITING BY AN AUTHORIZED ST REPRESENTATIVE, ST PRODUCTS ARE NOT RECOMMENDED, AUTHORIZED OR WARRANTED FOR USE IN MILITARY, AIR CRAFT, SPACE, LIFE SAVING, OR LIFE SUSTAINING APPLICATIONS, NOR IN PRODUCTS OR SYSTEMS WHERE FAILURE OR MALFUNCTION MAY RESULT IN PERSONAL INJURY, DEATH, OR SEVERE PROPERTY OR ENVIRONMENTAL DAMAGE. ST PRODUCTS WHICH ARE NOT SPECIFIED AS "AUTOMOTIVE GRADE" MAY ONLY BE USED IN AUTOMOTIVE APPLICATIONS AT USER'S OWN RISK.

Resale of ST products with provisions different from the statements and/or technical features set forth in this document shall immediately void any warranty granted by ST for the ST product or service described herein and shall not create or extend in any manner whatsoever, any liability of ST.

ST and the ST logo are trademarks or registered trademarks of ST in various countries.

Information in this document supersedes and replaces all information previously supplied.

The ST logo is a registered trademark of STMicroelectronics. All other names are the property of their respective owners.

© 2008 STMicroelectronics - All rights reserved

STMicroelectronics group of companies

Australia - Belgium - Brazil - Canada - China - Czech Republic - Finland - France - Germany - Hong Kong - India - Israel - Italy - Japan - Malaysia - Malta - Morocco - Singapore - Spain - Sweden - Switzerland - United Kingdom - United States of America

www.st.com