



# ST23YR04

Dual contactless smartcard MCU with 4 Kbytes EEPROM, enhanced security, cryptoprocessor and optimized RF performance

Data brief

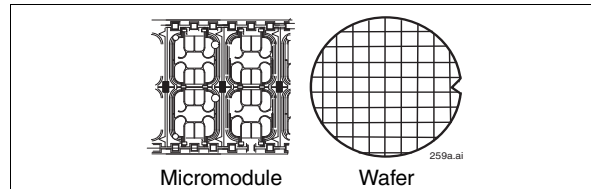
## Features

### Hardware features

- Enhanced 8/16-bit ST23 CPU core with 16 Mbytes linear addressable memory
- 230 Kbytes of User ROM
- 4 Kbytes of User RAM
- 2 Kbytes of NESCRIPT RAM
- 4 Kbytes of User EEPROM including 128 bytes of User OTP area:
  - 30-year data retention at 25° C
  - 500,000 erase/write cycles at 25° C
  - 500,000 Erase/Write cycles endurance typical at 25° C
  - 1 to 64 bytes Erase or Program in 2 ms
- Enhanced NESCRIPT crypto-processor for public key cryptography
- Three 8-bit timers with watchdog and interrupt capability
- 3 V and 5 V supply voltage ranges
- External clock frequency up to 10 MHz
- High performance provided by:
  - CPU clock frequency up to 29 MHz
- Adjustable clocks for better granularity
- Power-saving Standby state
- Contact assignment compatible with ISO/IEC 7816-3 standards
- Asynchronous receiver transmitter (IART) for high speed serial data support (ISO/IEC 7816-3 and EMV™ compliant)
- ESD protection greater than 6 kV (HBM) for contact pads and 4 kV for contactless pads

### Contactless features

- Complies with ISO/IEC 14443 type B, Innovatron (type B') and PayPass™ standards
- 13.56 MHz carrier frequency
- RF frame up to 512 bytes
- RFUART (RF universal asynchronous receiver transmitter) up to 848 Kbps



- 0.5 Kbytes dedicated RFUART RAM
- BPSK - NRZ load modulation (card-to-reader)
- 8 to 14% amplitude modulation reception (reader to card) as minimum range
- Enhanced RF performance provided by CPU clock frequency up to 29 MHz coupled with clock frequency divider

### Security features

- Active shield
- Hardware security enhanced DES accelerator
- Monitoring of environmental parameters
- Protection mechanisms against faults
- AIS-31 class P2 compliant true random number generator (TRNG)
- ISO 3309 CRC calculation block
- Memory protection unit (MPU)
- Unique serial number on each die

### Development environment

- Interface with RF readers supported through a library of embedded software functions compatible with ISO/IEC 14443 standards.
- Software development and firmware generation are supported by a comprehensive set of development tools dedicated to software design and validation:
  - C compiler, simulator and emulator

## Applications

ST23YR04 major applications include:

- EMVCo banking, ID and transport

# 1 Description

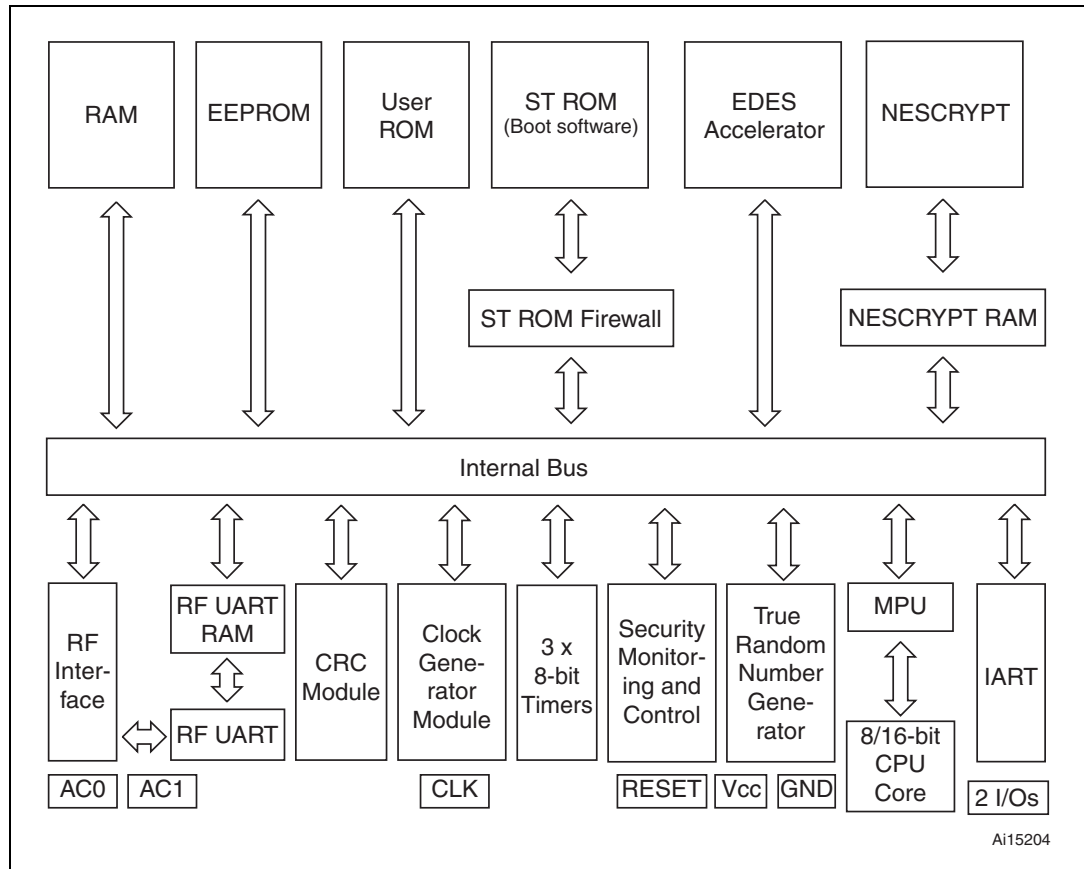
ST23YR04 devices are serial access microcontrollers custom-designed for secure smartcard applications.

They are based on an enhanced STMicroelectronics 8/16-bit CPU core offering 16 Mbytes linear addressing space. They are manufactured using an advanced highly reliable ST CMOS EEPROM technology.

An RF Interface including an RF universal asynchronous receiver transmitter (RF UART) enables contactless communication up to 848 Kbits/s compatible with the ISO 14443-B standard and also enables Innovatron (type B') communication.

Moreover, an ISO/IEC 7816-3 EMV-compliant asynchronous receiver transmitter (IART) communication peripheral is available.

**Figure 1. ST23YR04 block diagram**



## 1.1 Development environment

Development tools for smartcard products include a complete range of hardware systems and software tools from STMicroelectronics and third-party tool suppliers. The range of tools includes solutions to help you to develop and debug your application and evaluate smartcard products and their peripherals.

An Integrated Development Environment (IDE), the ST Visual Develop (STVD), provides a set of tools for developing embedded applications. This interface manages the project configuration, code edition, code generation and program debugging.

All the information needed to generate the application code and personalization will be collected in a delivery file (.DLV extension). This file is created using the Delivery menu of the STMicroelectronics configuration software tool, SCool.

## 2 Revision history

**Table 1. Document revision history**

Date	Revision	Changes
13-Sep-2011	1	First release.

**Please Read Carefully:**

Information in this document is provided solely in connection with ST products. STMicroelectronics NV and its subsidiaries ("ST") reserve the right to make changes, corrections, modifications or improvements, to this document, and the products and services described herein at any time, without notice.

All ST products are sold pursuant to ST's terms and conditions of sale.

Purchasers are solely responsible for the choice, selection and use of the ST products and services described herein, and ST assumes no liability whatsoever relating to the choice, selection or use of the ST products and services described herein.

No license, express or implied, by estoppel or otherwise, to any intellectual property rights is granted under this document. If any part of this document refers to any third party products or services it shall not be deemed a license grant by ST for the use of such third party products or services, or any intellectual property contained therein or considered as a warranty covering the use in any manner whatsoever of such third party products or services or any intellectual property contained therein.

**UNLESS OTHERWISE SET FORTH IN ST'S TERMS AND CONDITIONS OF SALE ST DISCLAIMS ANY EXPRESS OR IMPLIED WARRANTY WITH RESPECT TO THE USE AND/OR SALE OF ST PRODUCTS INCLUDING WITHOUT LIMITATION IMPLIED WARRANTIES OF MERCHANTABILITY, FITNESS FOR A PARTICULAR PURPOSE (AND THEIR EQUIVALENTS UNDER THE LAWS OF ANY JURISDICTION), OR INFRINGEMENT OF ANY PATENT, COPYRIGHT OR OTHER INTELLECTUAL PROPERTY RIGHT.**

**UNLESS EXPRESSLY APPROVED IN WRITING BY TWO AUTHORIZED ST REPRESENTATIVES, ST PRODUCTS ARE NOT RECOMMENDED, AUTHORIZED OR WARRANTED FOR USE IN MILITARY, AIR CRAFT, SPACE, LIFE SAVING, OR LIFE SUSTAINING APPLICATIONS, NOR IN PRODUCTS OR SYSTEMS WHERE FAILURE OR MALFUNCTION MAY RESULT IN PERSONAL INJURY, DEATH, OR SEVERE PROPERTY OR ENVIRONMENTAL DAMAGE. ST PRODUCTS WHICH ARE NOT SPECIFIED AS "AUTOMOTIVE GRADE" MAY ONLY BE USED IN AUTOMOTIVE APPLICATIONS AT USER'S OWN RISK.**

Resale of ST products with provisions different from the statements and/or technical features set forth in this document shall immediately void any warranty granted by ST for the ST product or service described herein and shall not create or extend in any manner whatsoever, any liability of ST.

ST and the ST logo are trademarks or registered trademarks of ST in various countries.

Information in this document supersedes and replaces all information previously supplied.

The ST logo is a registered trademark of STMicroelectronics. All other names are the property of their respective owners.

© 2011 STMicroelectronics - All rights reserved

STMicroelectronics group of companies

Australia - Belgium - Brazil - Canada - China - Czech Republic - Finland - France - Germany - Hong Kong - India - Israel - Italy - Japan - Malaysia - Malta - Morocco - Philippines - Singapore - Spain - Sweden - Switzerland - United Kingdom - United States of America

[www.st.com](http://www.st.com)