



ST32F384

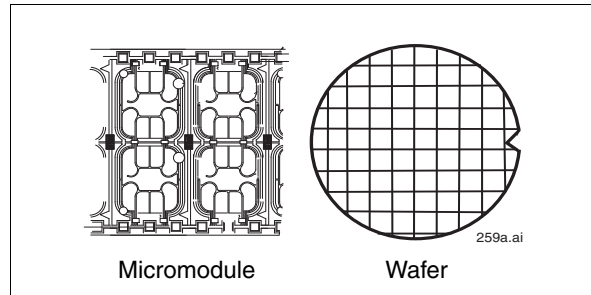
Secure MCU with 32-bit ARM Cortex™ M3 CPU and 384 Kbytes high density Flash memory

Data brief

Features

Hardware features

- ARM Cortex™-M3 32-bit RISC core
- Up to 8 Kbytes of user RAM
- Up to 384 Kbytes of user Flash memory with OTP area:
 - 10-year data retention
 - 100,000 Erase/Write cycles per page
 - Page granularity of 128 Bytes
 - Block granularity: 1 Kbyte
 - 128 Bytes of OTP for user
 - Page Erase time 3 ms
 - Block Erase 1 Kbyte in 15 ms
 - Programming performance up to 10µs/byte
 - Flash Erase / Write Protection software programmable on 64 Kbyte sectors
- Asynchronous Receiver Transmitter supporting ISO 7816-3 T=0 and T=1 protocols
- Two 16-bit timers with interrupt capability
- 1.8V, 3V and 5V supply voltage ranges
- External clock frequency from 1 up to 7.5 MHz
- High performance provided by:
 - CPU clock frequency up to 20 MHz
 - External clock multiplier (2x, 3x, and 4x)
- Current consumption compatible with GSM and ETSI specifications
- Power-saving Standby state
- Contact assignment compatible ISO 7816-2
- ESD protection greater than 4 kV (HBM)



Security features

- Monitoring of environmental parameters
- Protection against faults
- ISO 3309 CRC calculation block
- True random number generator
- Unique serial number on each die
- Hardware data encryption standard (DES) accelerator

Software features

- Flash loader
- Flash drivers

Development environment

- Software development and firmware generation are supported by a comprehensive set of development tools dedicated to software design and validation:
 - C compiler, simulator and emulator

Applications

ST32F384 major applications include:

- Mobile communications (GSM, 3G and CDMA)
- Java Card™ applications

1 Description

1.1 Hardware description

The ST32F384 is a serial access microcontroller designed for secure mobile applications that incorporates the most recent generation of ARM processors for embedded systems. Its Cortex™-M3 32-bit RISC core operating at a 20-MHz frequency brings great performance and excellent code compacity to the application thanks to the Thumb®-2 instruction set.

The high-speed embedded Flash 384-Kbyte memory introduces more flexibility to the system.

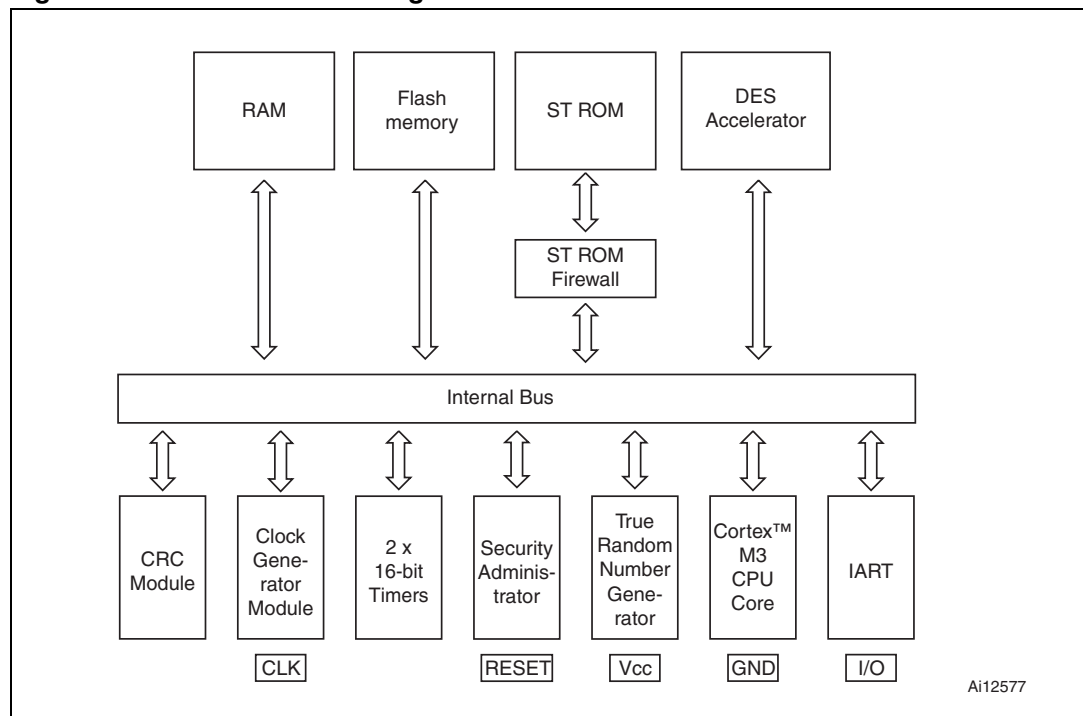
The ST32F384 also offers a serial communication interface fully compatible with the ISO/IEC 7816-3 standard (T=0, T=1) .

Two general-purpose 16-bit timers are available.

A hardware Data Encryption Standard (DES) accelerator can be used to the user to optimize the application performance. A software library is provided for Advanced Encryption Standard (AES) implementation.

The ST32F384 operates in the -25 to $+85^{\circ}\text{C}$ temperature range and 1.8 V, 3 V and 5 V supply voltage ranges. A comprehensive range of power-saving modes enables the design of efficient low-power applications.

Figure 1. ST32F384 block diagram



1.2 Software development tools description

Dedicated Cortex™-M3 software development tools are provided by ARM and Keil. This includes the Instruction Set Simulator (ISS) and C compiler. The documentation is available on the ARM and Keil web sites.

Moreover, STMicroelectronics provides:

- A time-accurate hardware emulator controlled by the Keil debugger and the ST development environment.
- A complete product simulator based on Keil's ISS simulator for the Cortex™-M3 CPU.
- A ROMed Flash Loader with very high-speed software downloading capabilities.

2 Revision history

Table 1. Document revision history

Date	Revision	Changes
14-Feb-2012	1	Initial release.

Please Read Carefully:

Information in this document is provided solely in connection with ST products. STMicroelectronics NV and its subsidiaries ("ST") reserve the right to make changes, corrections, modifications or improvements, to this document, and the products and services described herein at any time, without notice.

All ST products are sold pursuant to ST's terms and conditions of sale.

Purchasers are solely responsible for the choice, selection and use of the ST products and services described herein, and ST assumes no liability whatsoever relating to the choice, selection or use of the ST products and services described herein.

No license, express or implied, by estoppel or otherwise, to any intellectual property rights is granted under this document. If any part of this document refers to any third party products or services it shall not be deemed a license grant by ST for the use of such third party products or services, or any intellectual property contained therein or considered as a warranty covering the use in any manner whatsoever of such third party products or services or any intellectual property contained therein.

UNLESS OTHERWISE SET FORTH IN ST'S TERMS AND CONDITIONS OF SALE ST DISCLAIMS ANY EXPRESS OR IMPLIED WARRANTY WITH RESPECT TO THE USE AND/OR SALE OF ST PRODUCTS INCLUDING WITHOUT LIMITATION IMPLIED WARRANTIES OF MERCHANTABILITY, FITNESS FOR A PARTICULAR PURPOSE (AND THEIR EQUIVALENTS UNDER THE LAWS OF ANY JURISDICTION), OR INFRINGEMENT OF ANY PATENT, COPYRIGHT OR OTHER INTELLECTUAL PROPERTY RIGHT.

UNLESS EXPRESSLY APPROVED IN WRITING BY TWO AUTHORIZED ST REPRESENTATIVES, ST PRODUCTS ARE NOT RECOMMENDED, AUTHORIZED OR WARRANTED FOR USE IN MILITARY, AIR CRAFT, SPACE, LIFE SAVING, OR LIFE SUSTAINING APPLICATIONS, NOR IN PRODUCTS OR SYSTEMS WHERE FAILURE OR MALFUNCTION MAY RESULT IN PERSONAL INJURY, DEATH, OR SEVERE PROPERTY OR ENVIRONMENTAL DAMAGE. ST PRODUCTS WHICH ARE NOT SPECIFIED AS "AUTOMOTIVE GRADE" MAY ONLY BE USED IN AUTOMOTIVE APPLICATIONS AT USER'S OWN RISK.

Resale of ST products with provisions different from the statements and/or technical features set forth in this document shall immediately void any warranty granted by ST for the ST product or service described herein and shall not create or extend in any manner whatsoever, any liability of ST.

ST and the ST logo are trademarks or registered trademarks of ST in various countries.

Information in this document supersedes and replaces all information previously supplied.

The ST logo is a registered trademark of STMicroelectronics. All other names are the property of their respective owners.

© 2012 STMicroelectronics - All rights reserved

STMicroelectronics group of companies

Australia - Belgium - Brazil - Canada - China - Czech Republic - Finland - France - Germany - Hong Kong - India - Israel - Italy - Japan - Malaysia - Malta - Morocco - Philippines - Singapore - Spain - Sweden - Switzerland - United Kingdom - United States of America

www.st.com