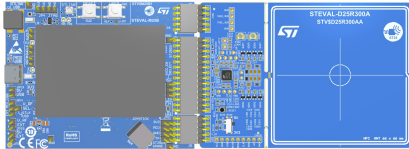


Discovery kit for the ST25R300 high performance NFC universal device and EMVCo reader



Features

- NFC Forum NFC-A, NFC-B, NFC-F, and NFC-V poller
- NFC Forum NFC-A, NFC-F listener
- Support for all five NFC Forum tag types in reader mode
- NFC Forum type 3 Tag (NFC-F) host card emulation
- NFC Forum type 4A Tag (NFC-A) host card emulation
- Integrated inductive sensing system for low-power detection of tag presence using I and Q measurement
- Dynamic power output (DPO) controls the field strength to stay within given limits (software feature)
- User selectable and automatic gain control
- Serial peripheral interface (SPI) up to 10 Mb/s

Description

The **STEVAL-25R300KA** kit allows the user to evaluate the features and capabilities of the ST25R devices, which are a series of high-performance HF readers.

The kit comes with application notes, software applications, drivers, bill of materials (BOM), board schematics, Gerber files, and firmware binaries.

The **STEVAL-25R300KA** consists of two boards: STEVAL-M25B1 and STEVAL-D25R300A.

The STEVAL-M25B1 is a microprocessor motherboard, which embeds a 32-bit Arm Cortex™-M4 CPU with an FPU high-performance microcontroller.

This board is powered through the USB. It is based on an STM32L476 microcontroller and includes: an ST-LINK embedded debug tool interface, a 2.4" TFT LCD, LEDs, push buttons (reset and user), a mini USB debug connector, a user-dedicated USB Type-C® connector for USB 2.0, features for ST NFC tag boards not used with the ST25R HF reader series.

The STEVAL-D25R300A is a daughter board, which embeds the **ST25R300** highly integrated HF reader/NFC initiator/NFC target IC with an antenna etched on the PCB and the related tuning circuit.

Product summary	
Discovery kit for the ST25R300 high performance NFC universal device and EMVCo reader	STEVAL-25R300KA
High-end NFC reader for NFC charging, payment and consumer applications	ST25R300-AQET
Applications	NFC / RFID

1 Schematic diagrams

Figure 1. STEVAL-M25B1 main board circuit schematic (1 of 9)

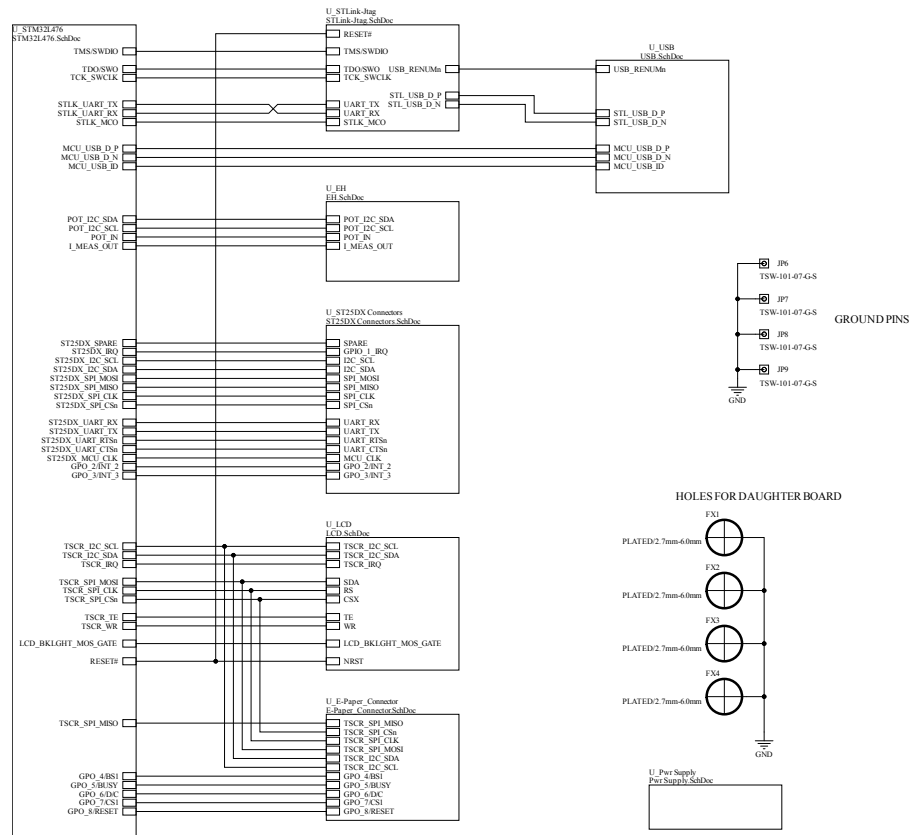


Figure 2. STEVAL-M25B1 main board circuit schematic (2 of 9)

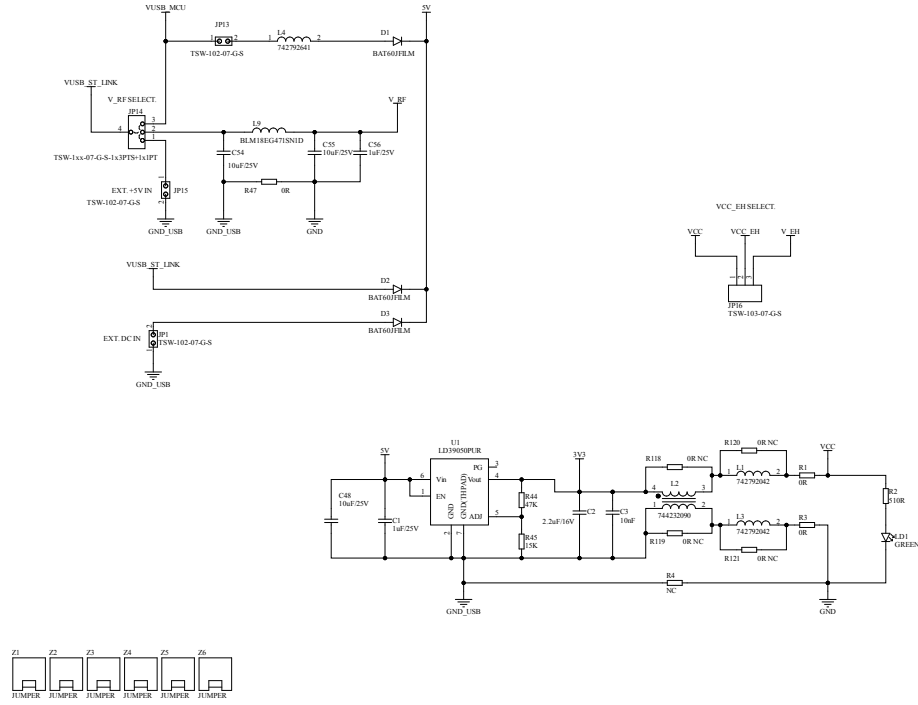


Figure 3. STEVAL-M25B1 main board circuit schematic (3 of 9)

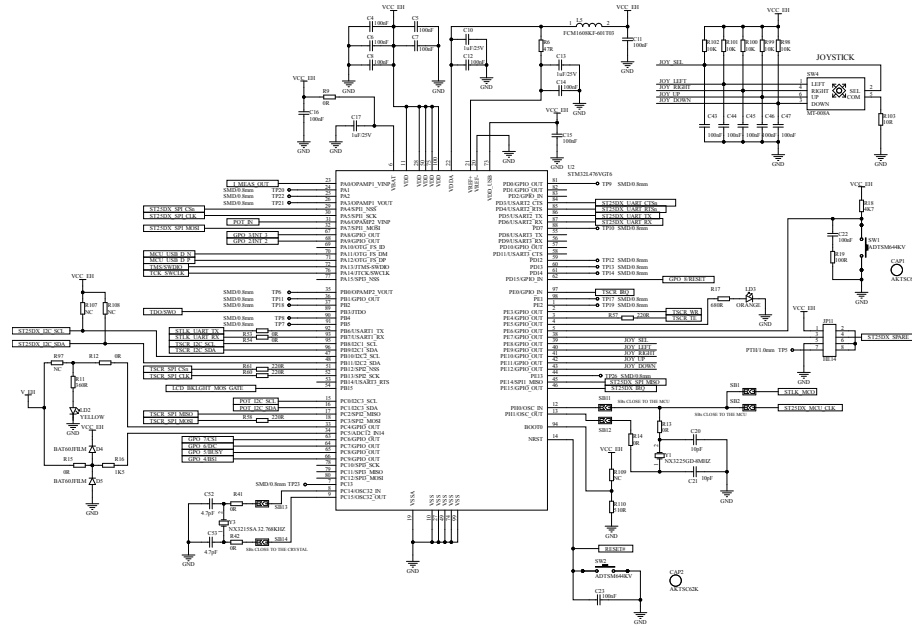


Figure 4. STEVAL-M25B1 main board circuit schematic (4 of 9)

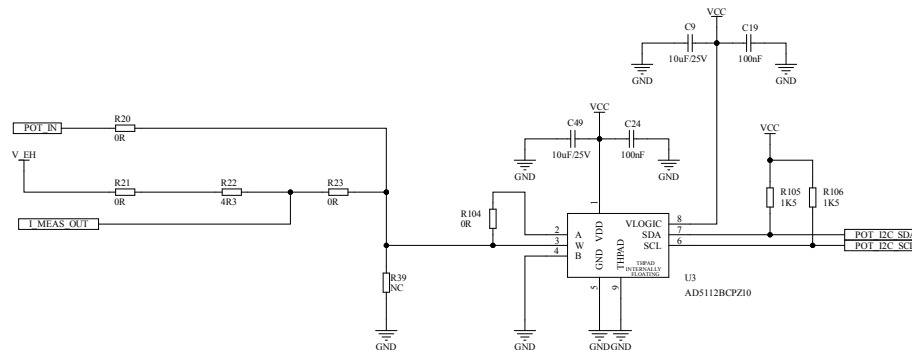


Figure 5. STEVAL-M25B1 main board circuit schematic (5 of 9)

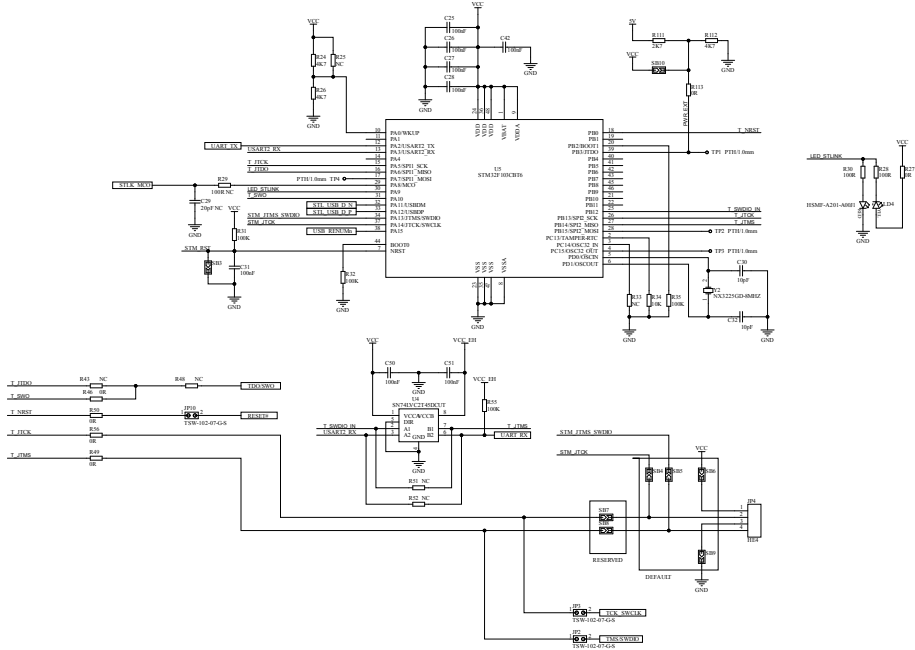


Figure 6. STEVAL-M25B1 main board circuit schematic (6 of 9)

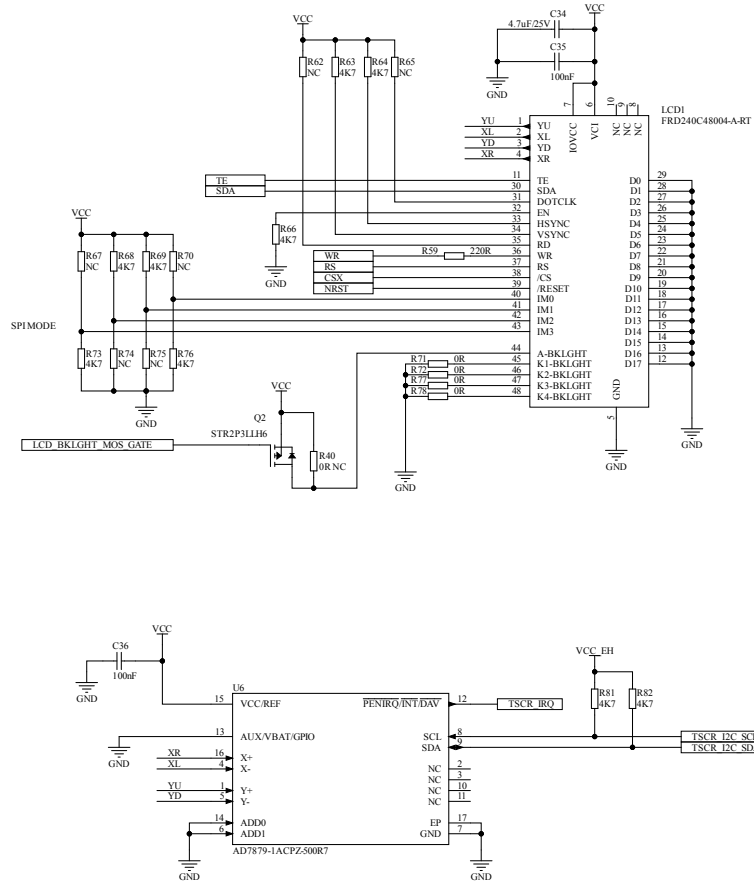


Figure 7. STEVAL-M25B1 main board circuit schematic (7 of 9)

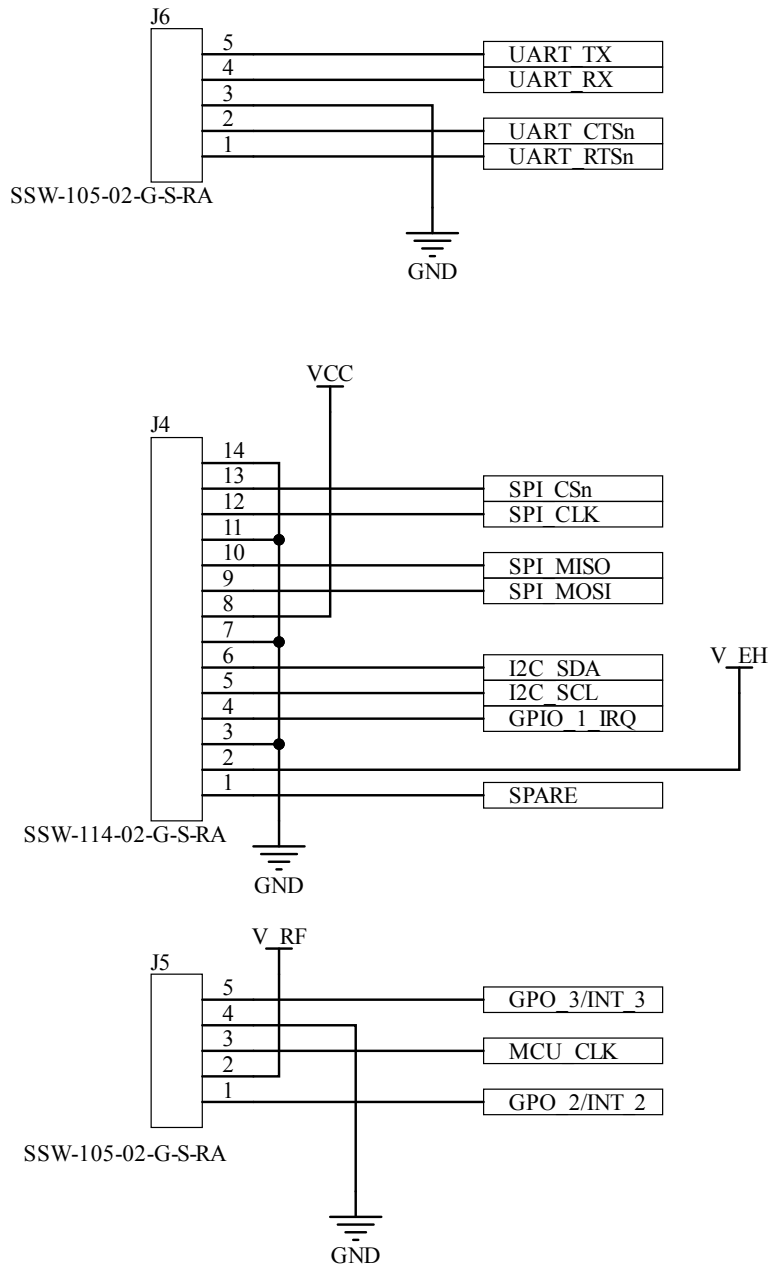


Figure 8. STEVAL-M25B1 main board circuit schematic (8 of 9)

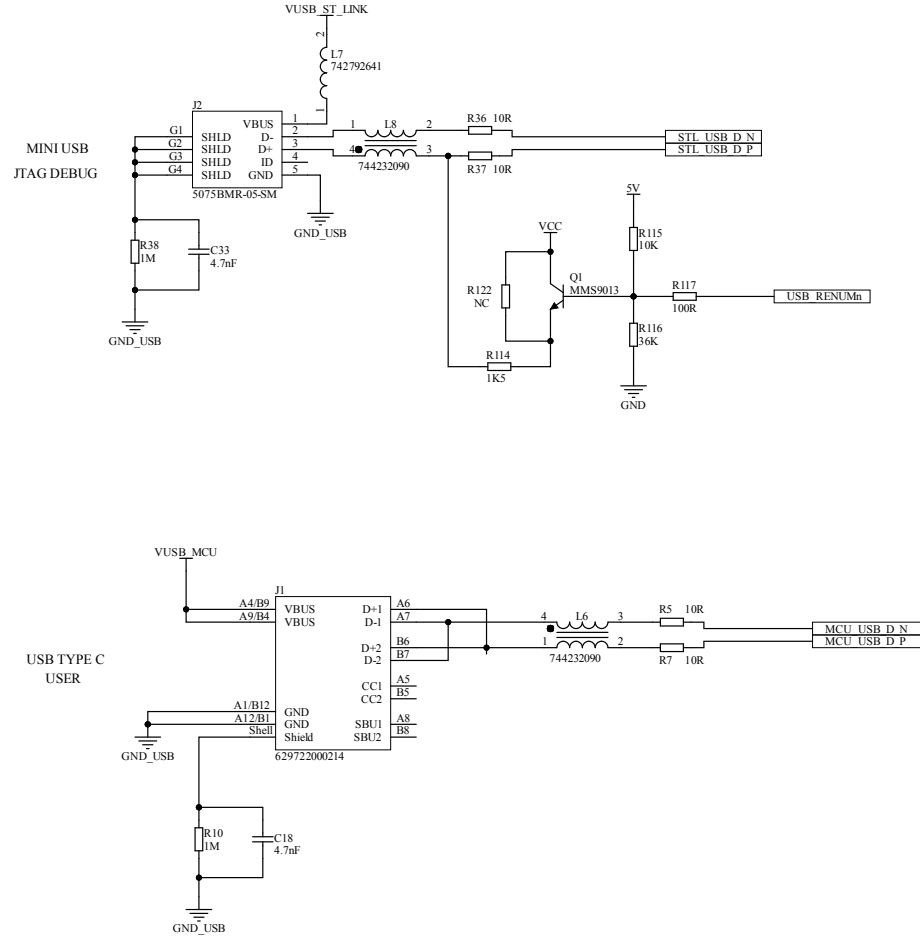


Figure 9. STEVAL-M25B1 main board circuit schematic (9 of 9)

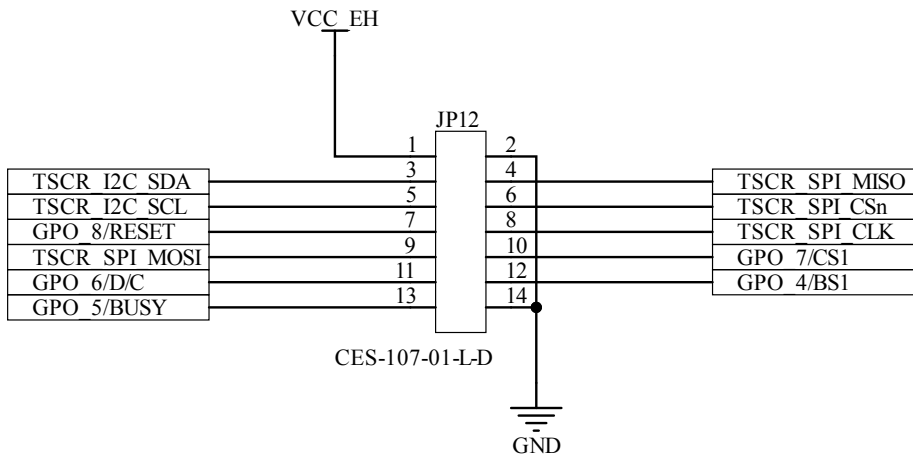


Figure 10. STEVAL-D25R300A reader expansion board circuit schematic (1 of 3)

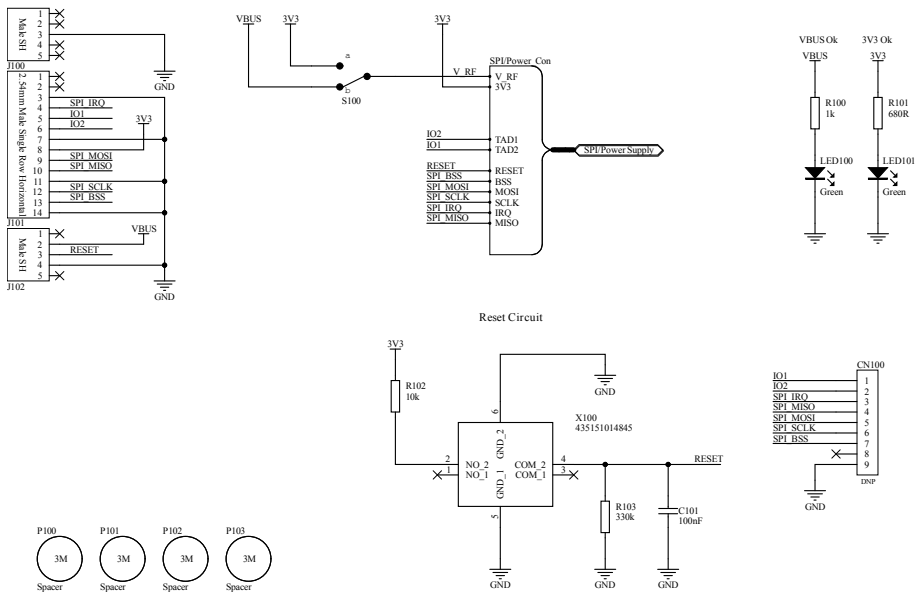


Figure 11. STEVAL-D25R300A reader expansion board circuit schematic (2 of 3)

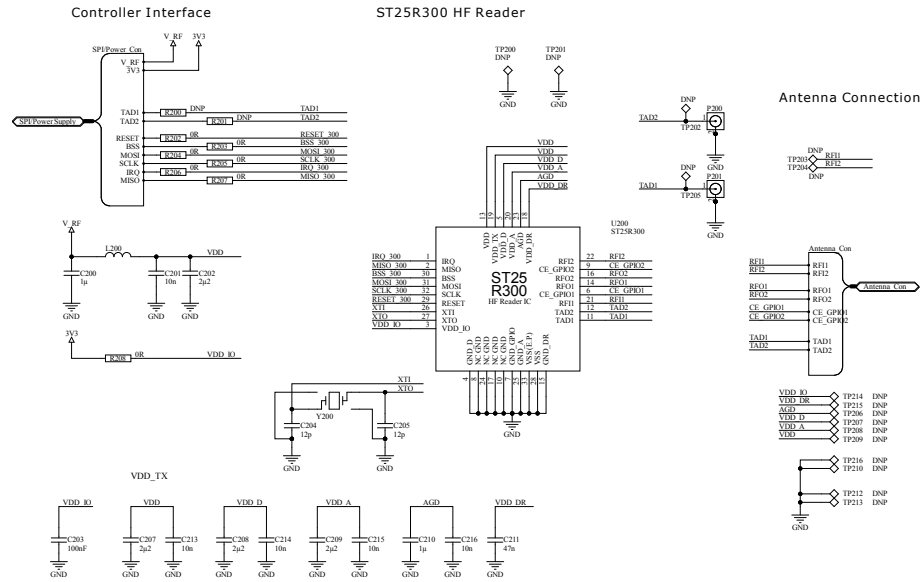
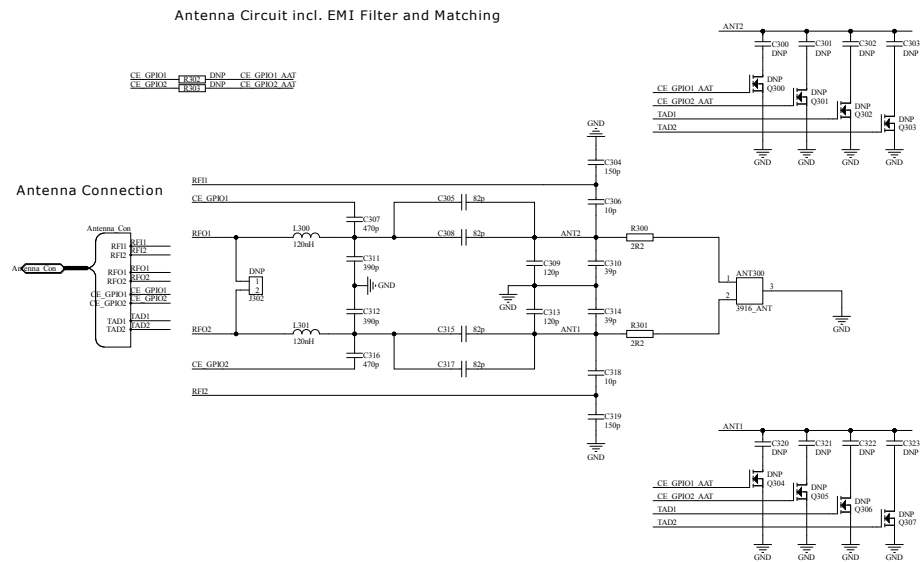


Figure 12. STEVAL-D25R300A reader expansion board circuit schematic (3 of 3)



2 Kit versions

Table 1. STEVAL-25R300KA versions

PCB version	Schematic diagrams	Bill of materials
STV\$25R300KAA ⁽¹⁾	STV\$25R300KAA schematic diagrams	STV\$25R300KAA bill of materials

1. This code identifies the STEVAL-25R300KA evaluation kit first version. The kit consists of a main board STEVAL-M25B1 whose version is identified by the code STV\$M25B1A and a reader expansion board STEVAL-D25R300 whose version is identified by the code STEVAL\$D25R300A.

Revision history

Table 2. Document revision history

Date	Revision	Changes
05-Mar-2025	1	Initial release.

IMPORTANT NOTICE – READ CAREFULLY

STMicroelectronics NV and its subsidiaries (“ST”) reserve the right to make changes, corrections, enhancements, modifications, and improvements to ST products and/or to this document at any time without notice. Purchasers should obtain the latest relevant information on ST products before placing orders. ST products are sold pursuant to ST’s terms and conditions of sale in place at the time of order acknowledgment.

Purchasers are solely responsible for the choice, selection, and use of ST products and ST assumes no liability for application assistance or the design of purchasers’ products.

No license, express or implied, to any intellectual property right is granted by ST herein.

Resale of ST products with provisions different from the information set forth herein shall void any warranty granted by ST for such product.

ST and the ST logo are trademarks of ST. For additional information about ST trademarks, refer to www.st.com/trademarks. All other product or service names are the property of their respective owners.

Information in this document supersedes and replaces information previously supplied in any prior versions of this document.

© 2025 STMicroelectronics – All rights reserved