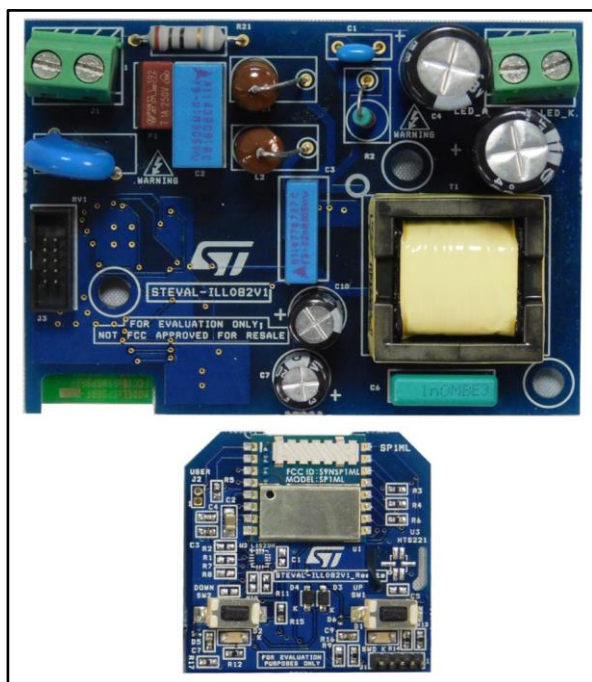


## Smart home lighting based on HVLED815PF and SPSGRF

Data brief



### Description

The STEVAL-ILL082V1 evaluation board is an offline LED driver based on the HVLED815PF, coupled with Sub-GHz connectivity based on the SPSGRF-868 low power programmable RF transceiver module. The interface between the HVLED815PF and the SPSGRF is managed by an STM32L0 ultra-low-power ARM® Cortex®-M0+ MCU. The microcontroller and connectivity module are supplied by the LED driver through an auxiliary winding.

The LED driver evaluation board can operate in standalone mode in communication with the bundled STEVAL-ILL082V1\_Remote controller based on SP1ML to help to reduce development and certification time.

The board can also be rendered visible to cloud applications with the addition of a wireless bridge.

### Features

- LED driver features:
  - 10 W flyback converter with quasi-resonant operation
  - Primary side regulation, no optocoupler required
  - High power factor and low THD
  - Open circuit and short-circuit LED management
  - $\pm 1\%$  LED current regulation
  - Dimming range: 2.5% to 100%
- Sub-GHz connectivity features:
  - Works with the bundled STEVAL-ILL082V1\_remote controller based on SP1ML-868 sub-GHz module
  - Allows remote lamp powering on and off
  - Allows lamp remote dimming
  - Standby power consumption: < 0.5 W
- RoHS compliant

# Schematic diagrams

Figure 1: STEVAL-ILL082V1 circuit schematic (1 of 2)

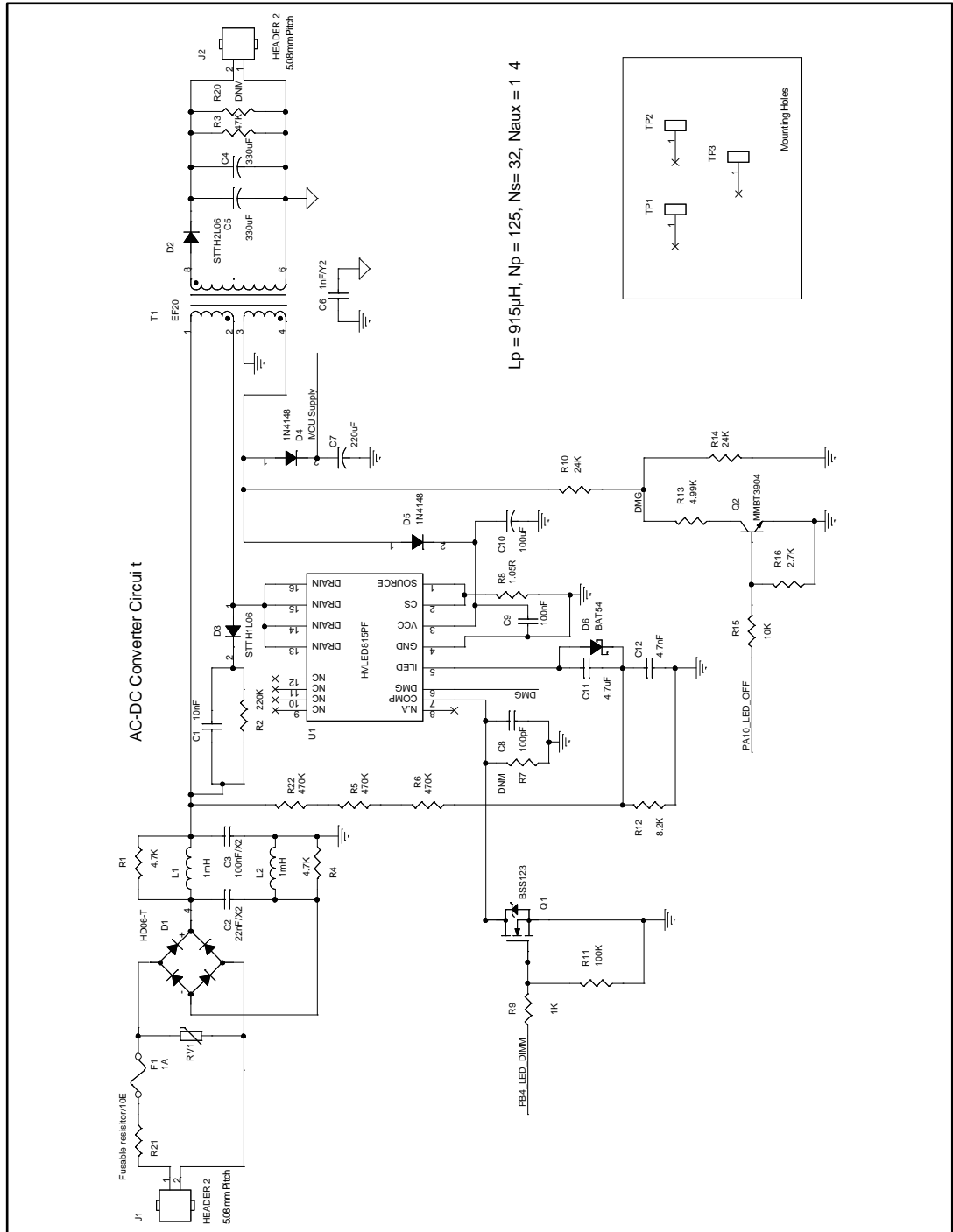


Figure 2: STEVAL-ILL082V1 circuit schematic (2 of 2)

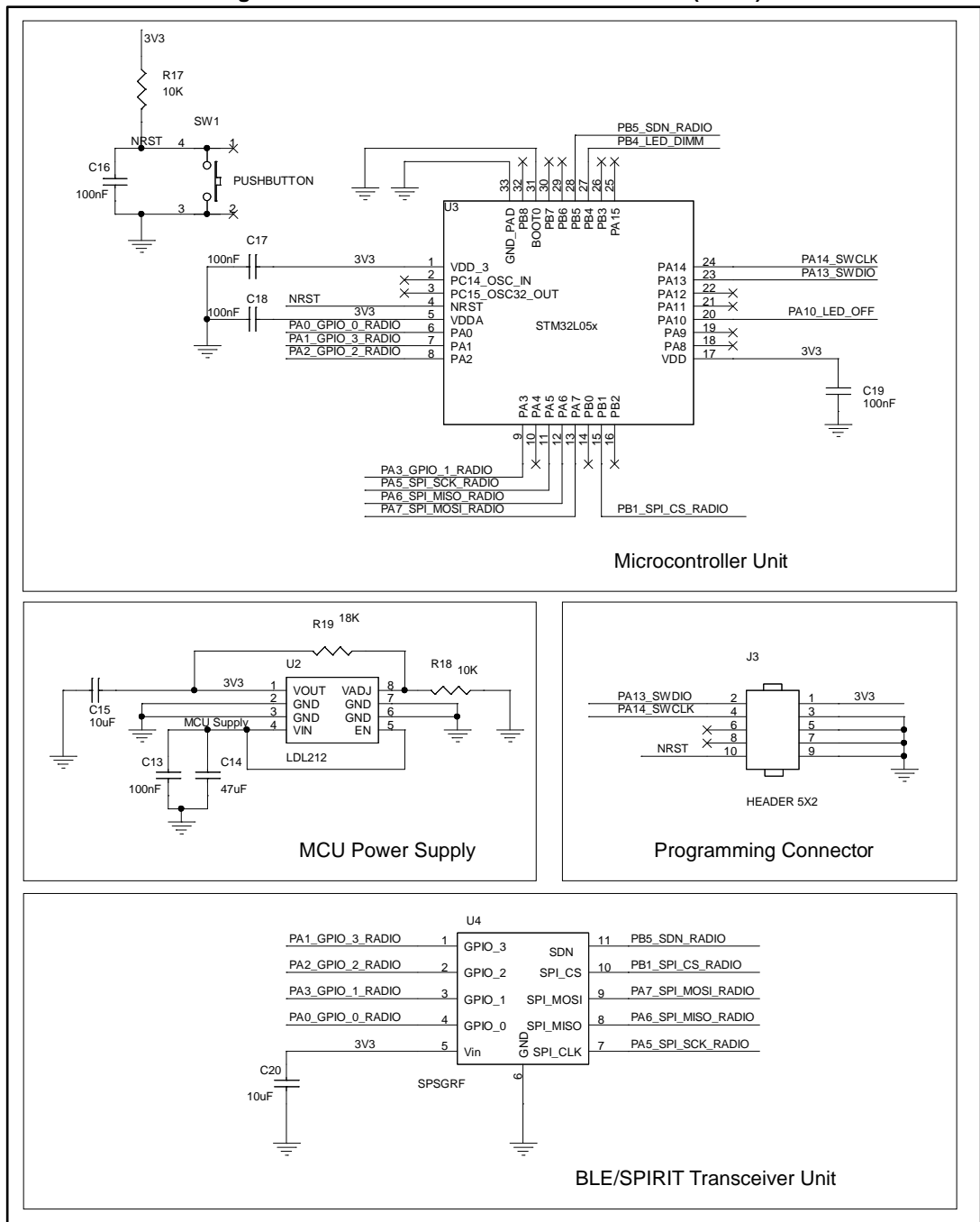
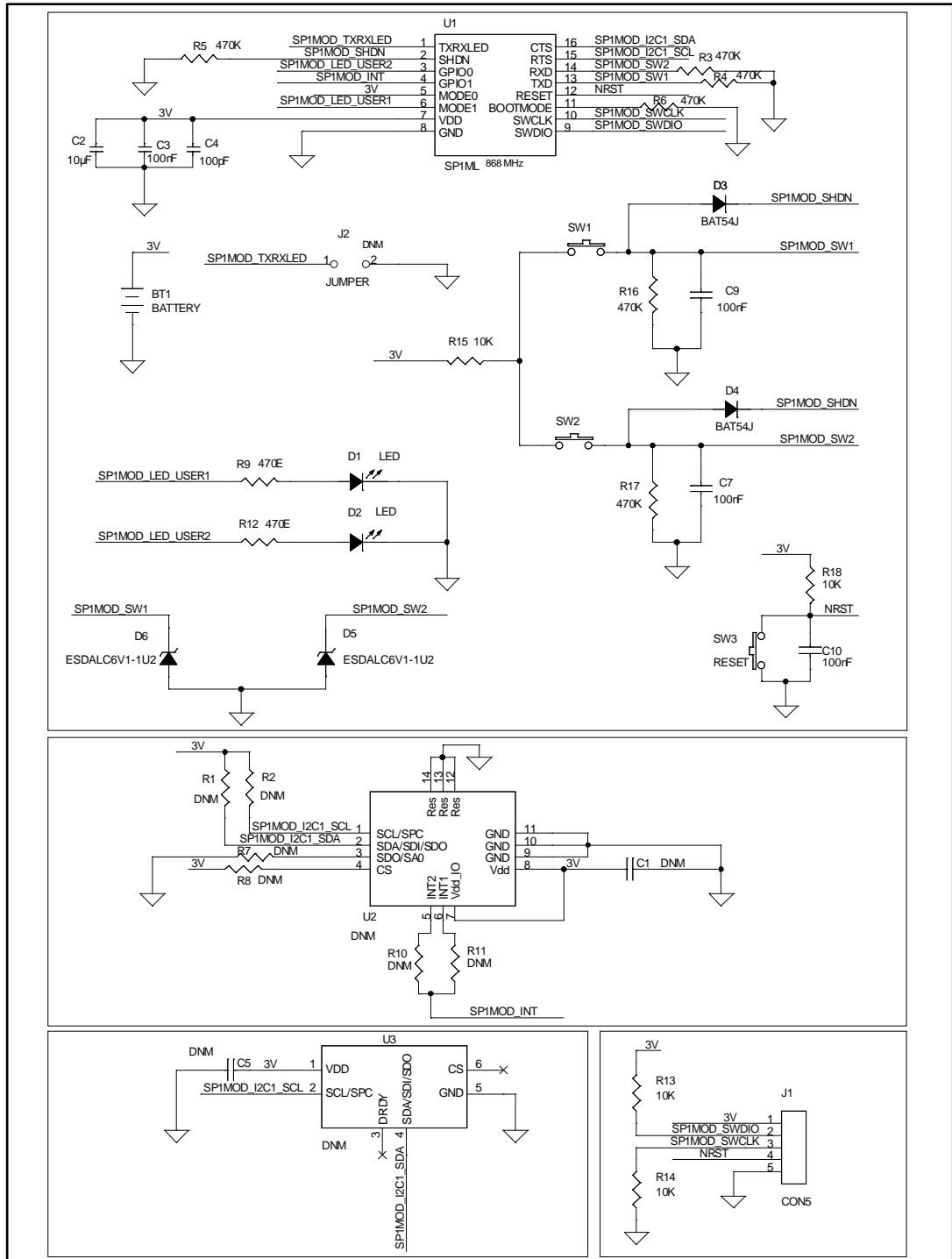


Figure 3: STEVAL-ILL082V1\_Remote circuit schematic



## Revision history

Table 1: Document revision history

Date	Version	Changes
07-Feb-2017	1	Initial release.
24-Oct-2017	1	Updated cover page Features and Description

**IMPORTANT NOTICE – PLEASE READ CAREFULLY**

STMicroelectronics NV and its subsidiaries ("ST") reserve the right to make changes, corrections, enhancements, modifications, and improvements to ST products and/or to this document at any time without notice. Purchasers should obtain the latest relevant information on ST products before placing orders. ST products are sold pursuant to ST's terms and conditions of sale in place at the time of order acknowledgement.

Purchasers are solely responsible for the choice, selection, and use of ST products and ST assumes no liability for application assistance or the design of Purchasers' products.

No license, express or implied, to any intellectual property right is granted by ST herein.

Resale of ST products with provisions different from the information set forth herein shall void any warranty granted by ST for such product.

ST and the ST logo are trademarks of ST. All other product or service names are the property of their respective owners.

Information in this document supersedes and replaces information previously supplied in any prior versions of this document.

© 2017 STMicroelectronics – All rights reserved