

Smart home lighting based on HVLED815PF and SPBTLE-RF

Data brief



Features

- LED driver main features
 - 10 W flyback converter with quasi-resonant operation
 - Primary side regulation, no optocoupler required
 - High power factor and low THD
 - Open/short LED management
 - $\pm 1\%$ LED current regulation
 - Dimming range: 2.5% to 100%
- BLE connectivity main features
 - Works with Android App - Smart Home Lighting
 - Allows lamp remote power-on / power-off
 - Allows lamp remote dimming
- Standby power consumption: < 0.5 W
- RoHS compliant

Description

The STEVAL-ILL083V1 evaluation board is an offline LED driver based on HVLED815PF and SPBTLE-RF very low power module for Bluetooth Smart v4.1 connectivity. The interfacing between the HVLED815PF and the SPBTLE-RF is managed by a STM32L0. The microcontroller and the connectivity module are supplied by the LED driver through the primary side auxiliary winding.

The embedded SPBTLE-RF Bluetooth v4.1 module lets you control the STEVAL-ILL083V1 board through the Smart Home Lighting Android™ application and can help reduce development and certification time.

The board can also be rendered visible to cloud applications with the addition of a wireless bridge.

1 Schematic diagrams

Figure 1: STEVAL-ILL083V1 circuit schematic (1 of 3)

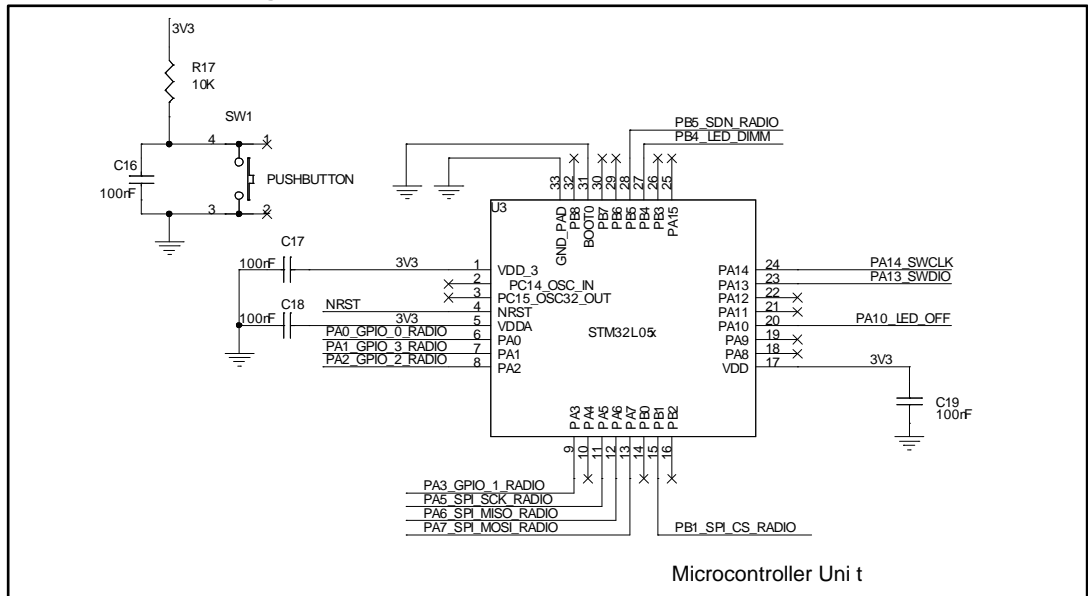


Figure 2: STEVAL-ILL083V1 circuit schematic (2 of 3)

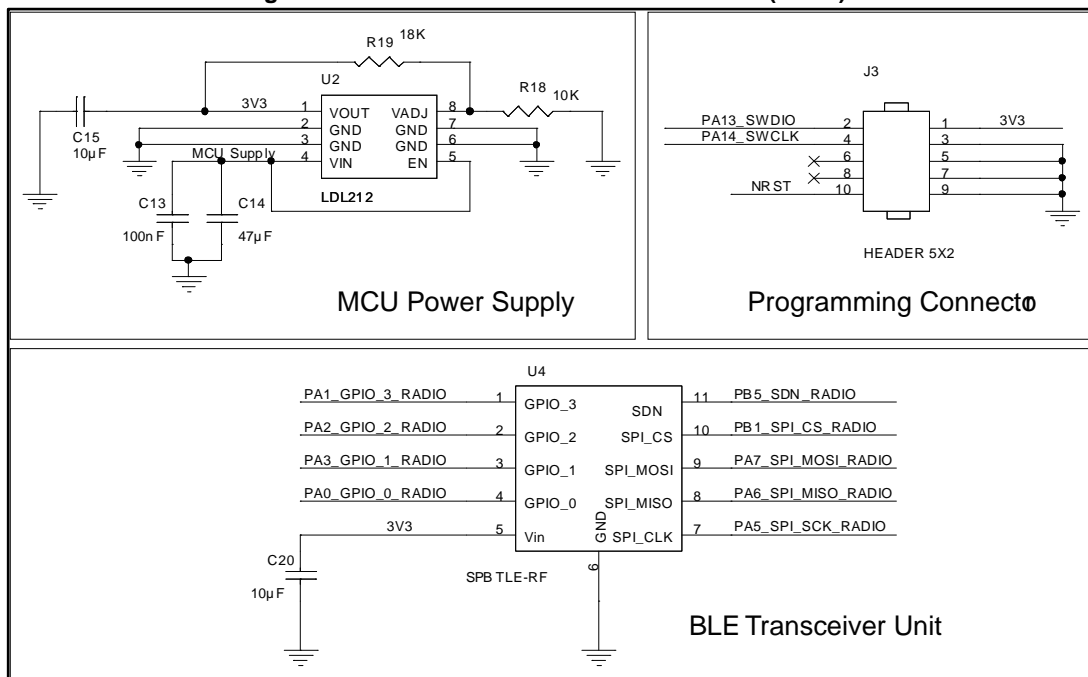
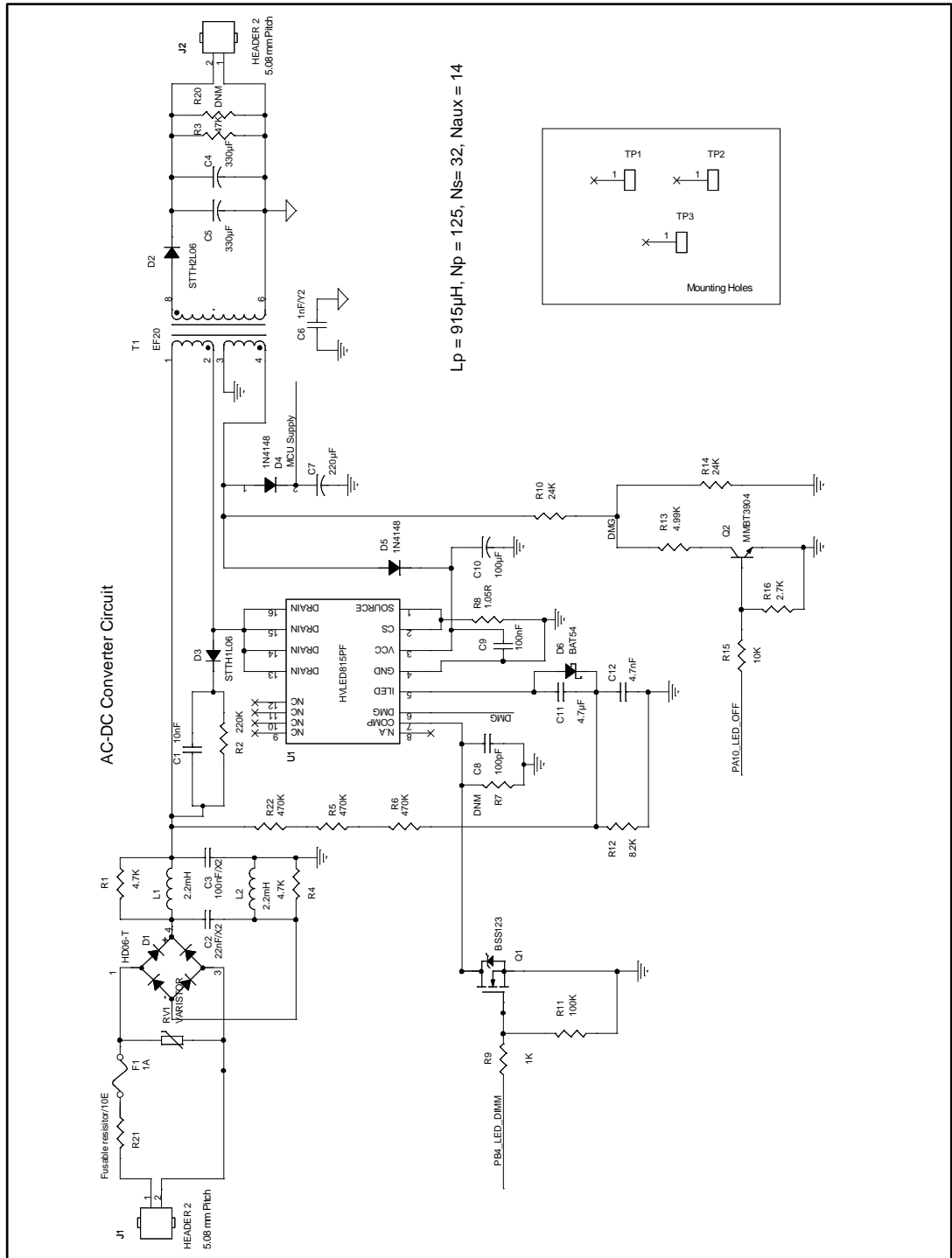


Figure 3: STEVAL-ILL083V1 circuit schematic (3 of 3)



2 Revision history

Table 1: Document revision history

Date	Version	Changes
25-Jan-2017	1	Initial release.
24-Mar-2017	2	Updated features and description on the cover page.
03-Nov-2017	3	Updated features, description and title in cover page

IMPORTANT NOTICE – PLEASE READ CAREFULLY

STMicroelectronics NV and its subsidiaries ("ST") reserve the right to make changes, corrections, enhancements, modifications, and improvements to ST products and/or to this document at any time without notice. Purchasers should obtain the latest relevant information on ST products before placing orders. ST products are sold pursuant to ST's terms and conditions of sale in place at the time of order acknowledgement.

Purchasers are solely responsible for the choice, selection, and use of ST products and ST assumes no liability for application assistance or the design of Purchasers' products.

No license, express or implied, to any intellectual property right is granted by ST herein.

Resale of ST products with provisions different from the information set forth herein shall void any warranty granted by ST for such product.

ST and the ST logo are trademarks of ST. All other product or service names are the property of their respective owners.

Information in this document supersedes and replaces information previously supplied in any prior versions of this document.

© 2017 STMicroelectronics – All rights reserved