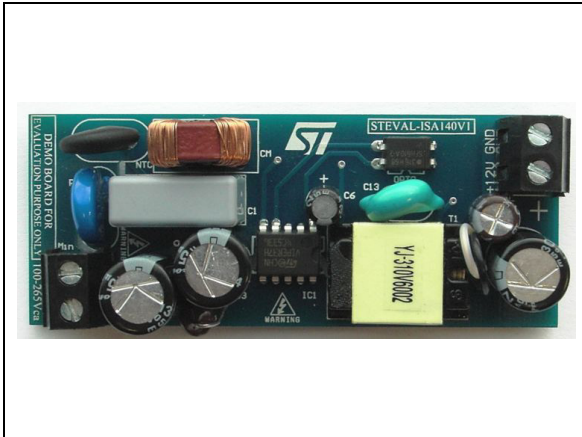


15W, 12V output, isolated flyback converter using VIPer™ Plus - VIPER37HE

Data brief



Description

The STEVAL-ISA140V1 is a 15 W wide range evaluation board based on the Viper37HE. It is designed as an example of an isolated auxiliary power supply.

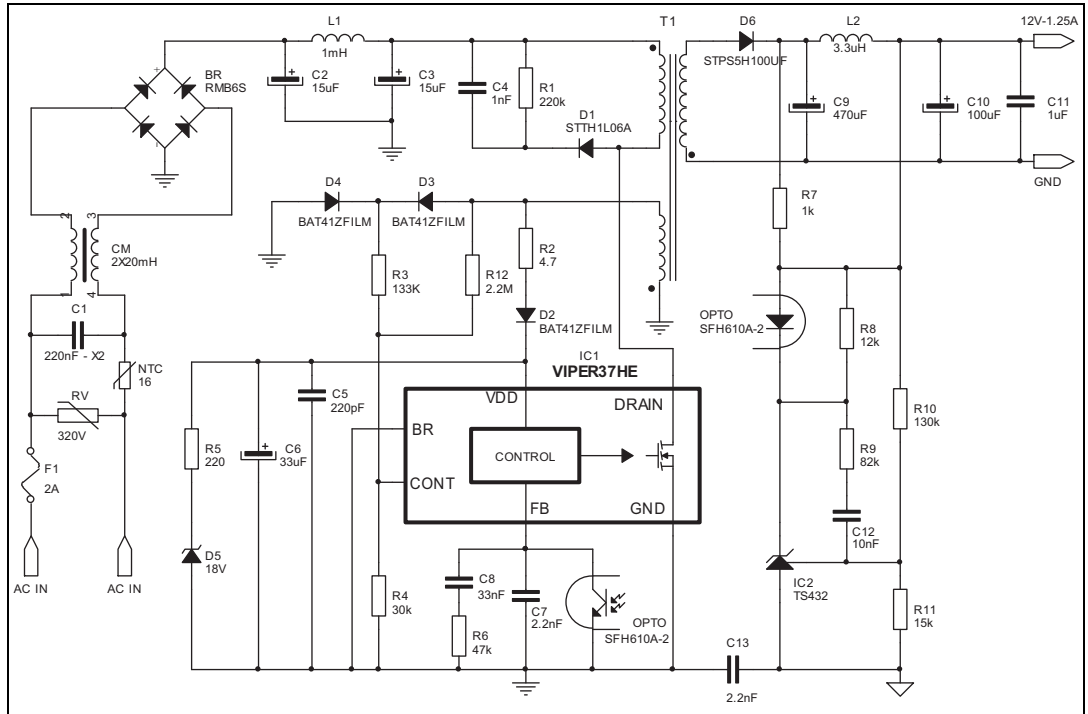
The board and the transformer were designed and optimized in order to have a very compact size evaluation board.

Features

- AC Main Input voltage range: 100 V_{AC} to 265 V_{AC}
- Mains frequency (f_L): 50 Hz / 60 Hz
- Output voltage typ: 12 V
- Output current: 1.25 A
- Output ripple voltage: 50 mV
- Rated output power: 15 W
- Input power in standby @230 V_{AC}: 50 mW
- Active mode efficiency: 78%
- Ambient operating temperature: 60 °C
- RoHS compliant

1 Schematic diagram

Figure 1. STEVAL-ISA140V1 circuit schematic



2 Revision history

Table 1. Document revision history

Date	Revision	Changes
19-Dec-2013	1	Initial release.
14-Nov-2014	2	Title has been updated.

IMPORTANT NOTICE – PLEASE READ CAREFULLY

STMicroelectronics NV and its subsidiaries ("ST") reserve the right to make changes, corrections, enhancements, modifications, and improvements to ST products and/or to this document at any time without notice. Purchasers should obtain the latest relevant information on ST products before placing orders. ST products are sold pursuant to ST's terms and conditions of sale in place at the time of order acknowledgement.

Purchasers are solely responsible for the choice, selection, and use of ST products and ST assumes no liability for application assistance or the design of Purchasers' products.

No license, express or implied, to any intellectual property right is granted by ST herein.

Resale of ST products with provisions different from the information set forth herein shall void any warranty granted by ST for such product.

ST and the ST logo are trademarks of ST. All other product or service names are the property of their respective owners.

Information in this document supersedes and replaces information previously supplied in any prior versions of this document.

© 2014 STMicroelectronics – All rights reserved