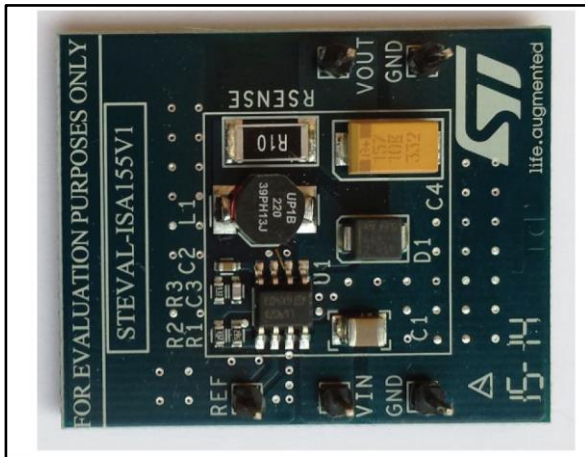


## 1 A constant current DC/DC converter evaluation board based on the L6902D

Data brief



### Features

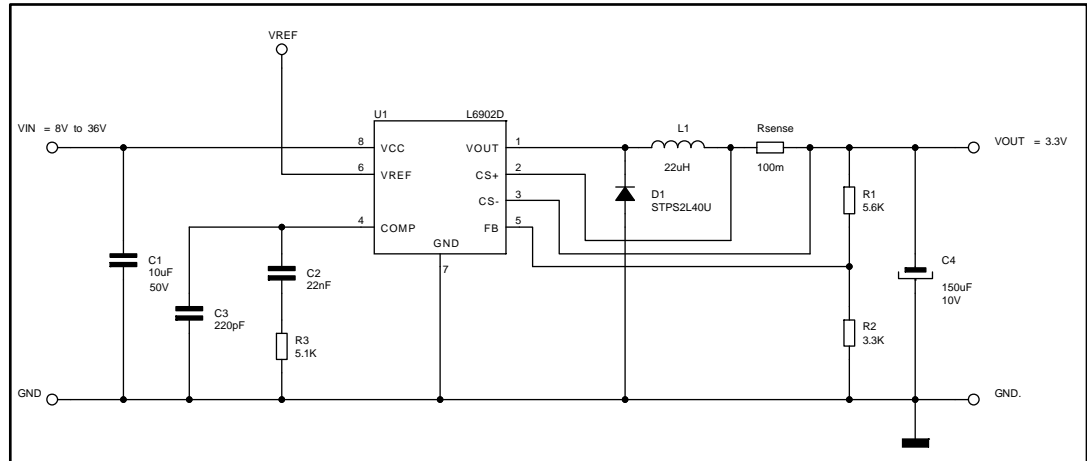
- Up to 1 A output current
- Operating input voltage from 8 V to 25 V
- Precise 3.3 V ( $\pm 2\%$ ) reference voltage
- 5% output current accuracy
- Output voltage adjustable from 1.235 V to 34 V
- 250 kHz internally fixed frequency
- Voltage feedforward
- Zero load current operation
- Adjustable current limit
- Protection against feedback disconnection
- Thermal shutdown
- RoHS compliant

### Description

The STEVAL-ISA155V1 product evaluation board integrates the L6902D step-down switching regulator with adjustable current limit, together with the external components required for a typical application. The input voltage of the board can range from 8 V up to 25 V due to the rated voltage of the input capacitor and the Schottky rectifier repetitive peak reverse voltage (both 25 V). The external resistor divider (R1 and R2) sets the output voltage of the application board to 3.3 V. A different output voltage can be regulated from 1.235 V up to 10 V according to the rated voltage of the output capacitor.

A current limit of 1 A is programmed by the 100 m $\Omega$  sense resistor (R<sub>sense</sub>). The inductor saturation current and the forward current of the Schottky rectifier fit the current limit setting.

# 1 Schematic diagram

**Figure 1: STEVAL-ISA155V1 circuit schematic**

## 2 Revision history

Table 1: Document revision history

| Date        | Version | Changes                      |
|-------------|---------|------------------------------|
| 04-Jun-2014 | 1       | Initial release.             |
| 04-Dec-2017 | 2       | Modified title in cover page |

**IMPORTANT NOTICE – PLEASE READ CAREFULLY**

STMicroelectronics NV and its subsidiaries ("ST") reserve the right to make changes, corrections, enhancements, modifications, and improvements to ST products and/or to this document at any time without notice. Purchasers should obtain the latest relevant information on ST products before placing orders. ST products are sold pursuant to ST's terms and conditions of sale in place at the time of order acknowledgement.

Purchasers are solely responsible for the choice, selection, and use of ST products and ST assumes no liability for application assistance or the design of Purchasers' products.

No license, express or implied, to any intellectual property right is granted by ST herein.

Resale of ST products with provisions different from the information set forth herein shall void any warranty granted by ST for such product.

ST and the ST logo are trademarks of ST. All other product or service names are the property of their respective owners.

Information in this document supersedes and replaces information previously supplied in any prior versions of this document.

© 2017 STMicroelectronics – All rights reserved