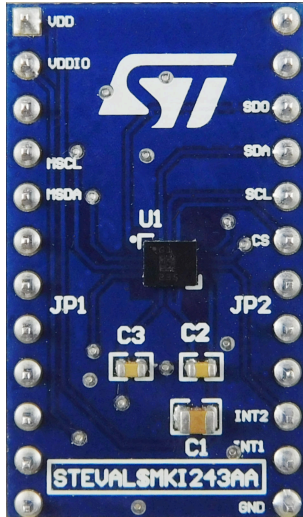


## ASM330LHHXG1 adapter board for a standard DIL24 socket



### Features

- Complete ASM330LHHXG1 pinout for a standard DIL 24 socket
- Fully compatible with STEVAL-MKI109V3 motherboards
- RoHS compliant

### Description

The STEVAL-MKI243A is an adapter board designed to facilitate the evaluation of MEMS devices in the ASM330LHHXG1 product family.

The board offers an effective solution for fast system prototyping and device evaluation directly within the user's own application.

The STEVAL-MKI243A can be plugged into a standard DIL 24 socket. The adapter provides the complete ASM330LHHXG1 pinout and comes ready-to-use with the required decoupling capacitors on the VDD power supply line.

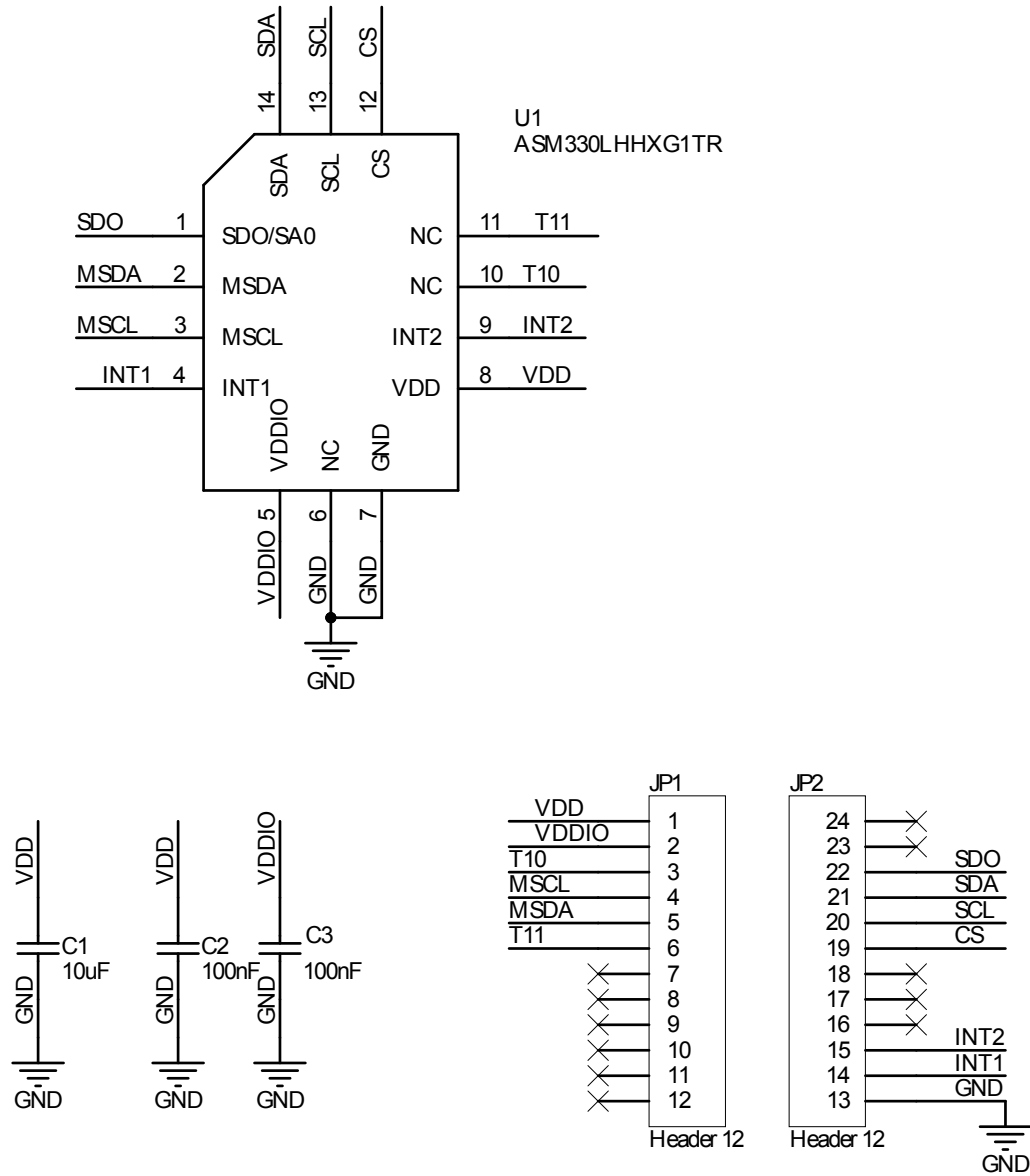
This adapter is supported by STEVAL-MKI109V3 motherboards, which includes a high performance 32-bit microcontroller functioning as a bridge between the sensor and a PC, on which it is possible to use the downloadable graphical user interface (Unico-GUI), or dedicated software routines for customized applications.

The adapter board can also be plugged into X-NUCLEO-IKS01A3 and X-NUCLEO-IKS02A1 boards using UNICLEO.

Product summary	
ASM330LHHXG1 adapter board for a standard DIL24 socket	STEVAL-MKI243A
High-accuracy 6-axis automotive inertial measurement unit (IMU) with embedded machine learning core and dual operating modes	ASM330LHHXG1TR
Professional MEMS tool: ST MEMS adapters motherboard based on the STM32F401VE and compatible with all ST MEMS adapters	STEVAL-MKI109V3
Motion MEMS and microphone MEMS expansion board for STM32 Nucleo	X-NUCLEO-IKS02A1
Applications	Active Suspension

# 1 Schematic diagrams

Figure 1. STEVAL-MK1243A circuit schematic



## 2 Board versions

Table 1. STEVAL-MKI239A versions

Finished good	Schematic diagrams	Bill of materials
STEVAL\$MKI243AA <sup>(1)</sup>	STEVAL\$MKI243AA schematic diagrams	STEVAL\$MKI243AA bill of materials

1. This code identifies the STEVAL-MKI243A evaluation board first version.

## Revision history

Table 2. Document revision history

Date	Revision	Changes
16-Oct-2023	1	Initial release.

**IMPORTANT NOTICE – READ CAREFULLY**

STMicroelectronics NV and its subsidiaries (“ST”) reserve the right to make changes, corrections, enhancements, modifications, and improvements to ST products and/or to this document at any time without notice. Purchasers should obtain the latest relevant information on ST products before placing orders. ST products are sold pursuant to ST’s terms and conditions of sale in place at the time of order acknowledgment.

Purchasers are solely responsible for the choice, selection, and use of ST products and ST assumes no liability for application assistance or the design of purchasers’ products.

No license, express or implied, to any intellectual property right is granted by ST herein.

Resale of ST products with provisions different from the information set forth herein shall void any warranty granted by ST for such product.

ST and the ST logo are trademarks of ST. For additional information about ST trademarks, refer to [www.st.com/trademarks](http://www.st.com/trademarks). All other product or service names are the property of their respective owners.

Information in this document supersedes and replaces information previously supplied in any prior versions of this document.

© 2023 STMicroelectronics – All rights reserved