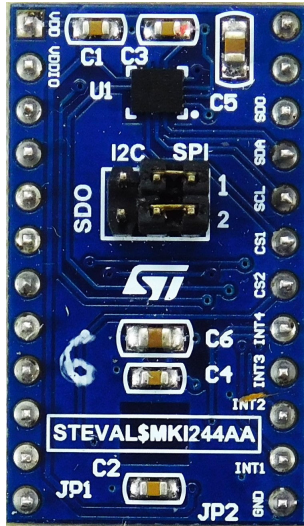


2xASM330LHBG1 adapter board for a standard DIL24 socket



Features

- Complete ASM330LHBG1 pinout for a standard DIL 24 socket
- Fully compatible with STEVAL-MKI109V3 motherboards
- RoHS compliant

Description

The **STEVAL-MKI244A** is an adapter board designed to facilitate the evaluation of MEMS devices in the **ASM330LHBG1** product family. The board offers an effective solution for fast system prototyping and device evaluation directly within the user's own application.

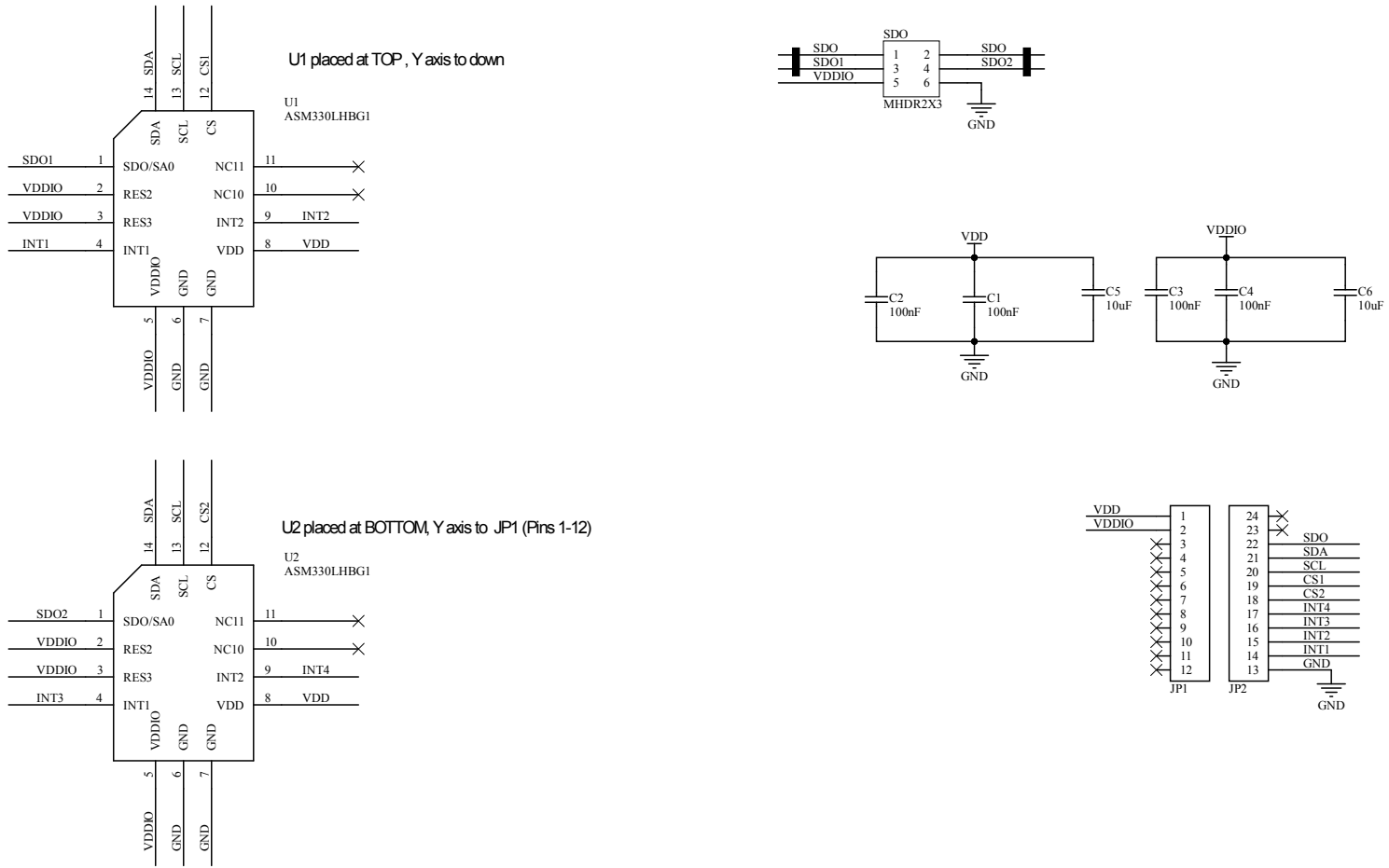
The **STEVAL-MKI244A** can be plugged into a standard DIL24 socket. The adapter provides the complete **ASM330LHBG1** pinout and comes ready-to-use with the required decoupling capacitors on the VDD and VDDIO power supply lines.

This adapter is supported by a **STEVAL-MKI109V3** motherboard, which includes a high performance 32-bit microcontroller functioning as a bridge between the sensor and a PC, on which it is possible to use the downloadable graphical user interface (**MEMS studio**), or dedicated software routines for customized applications.

Product summary	
2xASM330LHBG1 adapter board for a standard DIL24 socket	STEVAL-MKI244A
High-accuracy 6-axis inertial measurement unit (IMU) with extended temperature range for ASIL B automotive applications	ASM330LHBG1
Professional MEMS tool: ST MEMS adapters motherboard based on the STM32F401VE and compatible with all ST MEMS adapters	STEVAL-MKI109V3
Applications	Active Suspension

1 Schematic diagrams

Figure 1. STEVAL-MKI244A circuit schematic



2 Board versions

Table 1. STEVAL-MKI244A versions

Finished good	Schematic diagrams	Bill of materials
STEVAL\$MKI244AA ⁽¹⁾	STEVAL\$MKI244AA schematic diagrams	STEVAL\$MKI244AA bill of materials

1. This code identifies the STEVAL-MKI244A evaluation board first version.

Revision history

Table 2. Document revision history

Date	Revision	Changes
19-Mar-2024	1	Initial release.

IMPORTANT NOTICE – READ CAREFULLY

STMicroelectronics NV and its subsidiaries (“ST”) reserve the right to make changes, corrections, enhancements, modifications, and improvements to ST products and/or to this document at any time without notice. Purchasers should obtain the latest relevant information on ST products before placing orders. ST products are sold pursuant to ST’s terms and conditions of sale in place at the time of order acknowledgment.

Purchasers are solely responsible for the choice, selection, and use of ST products and ST assumes no liability for application assistance or the design of purchasers’ products.

No license, express or implied, to any intellectual property right is granted by ST herein.

Resale of ST products with provisions different from the information set forth herein shall void any warranty granted by ST for such product.

ST and the ST logo are trademarks of ST. For additional information about ST trademarks, refer to www.st.com/trademarks. All other product or service names are the property of their respective owners.

Information in this document supersedes and replaces information previously supplied in any prior versions of this document.

© 2024 STMicroelectronics – All rights reserved