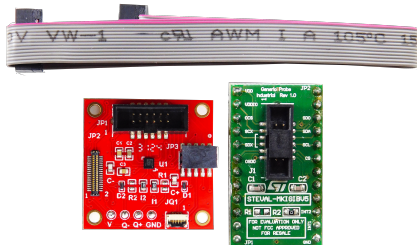


## Intelligent ultralow-power accelerometer kit based on IIS2DULPX



### Features

- User friendly IIS2DULPX board
- Complete IIS2DULPX pinout for a standard DIL 24 socket
- Fully compatible with STEVAL-MKI109D motherboards
- RoHS compliant

### Description

The STEVAL-MKI246KA is an adapter board designed to facilitate the evaluation of the IIS2DULPX 3-axis accelerometer.

The board is connected using a cable to the STEVAL-MKIGIBV5 adapter board to render it compatible with the STEVAL-MKI109D evaluation platform.

The sensor is soldered precisely in the center of the square PCB to conveniently mount the board on the equipment used for vibration analysis through double-sided adhesives. Alternatively, you can mount the board using the holes located in each corner of the PCB.

The STEVAL-MKIGIBV5 can be plugged into a standard DIL-24 socket. The kit provides the complete IIS2DULPX pinout and comes ready to use with the required decoupling capacitors on the VDD power supply line.

This adapter is supported by the STEVAL-MKI109D evaluation platform which includes a high-performance 32-bit microcontroller functioning as a bridge between the sensor and a PC, on which it is possible to use the downloadable MEMS Studio graphical user interface, or dedicated software routines for customized applications.

It is also possible to plug the kit on X-NUCLEO-IKS02A1 or STEVAL-STWINBX1 using ad hoc connector mounted on the STEVAL-MKI246A board.

Product summary	
Intelligent ultralow-power accelerometer kit based on IIS2DULPX	STEVAL-MKI246KA
Intelligent ultralow-power accelerometer for industrial applications	IIS2DULPXTR
Professional MEMS tool: evaluation board for all ST MEMS sensors	STEVAL-MKI109D
Motion MEMS and microphone MEMS expansion board for STM32 Nucleo	X-NUCLEO-IKS02A1
Application	Industrial robots

# 1 Schematic diagrams

Figure 1. STEVAL-MKIGIBV5 schematic

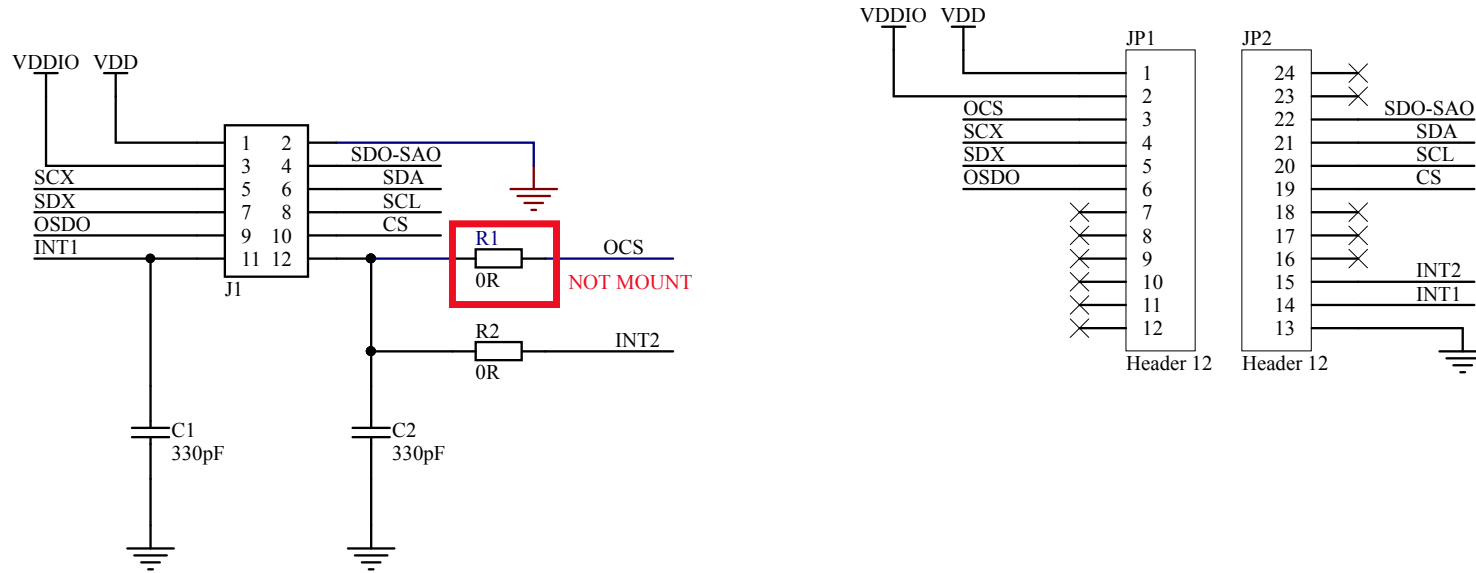
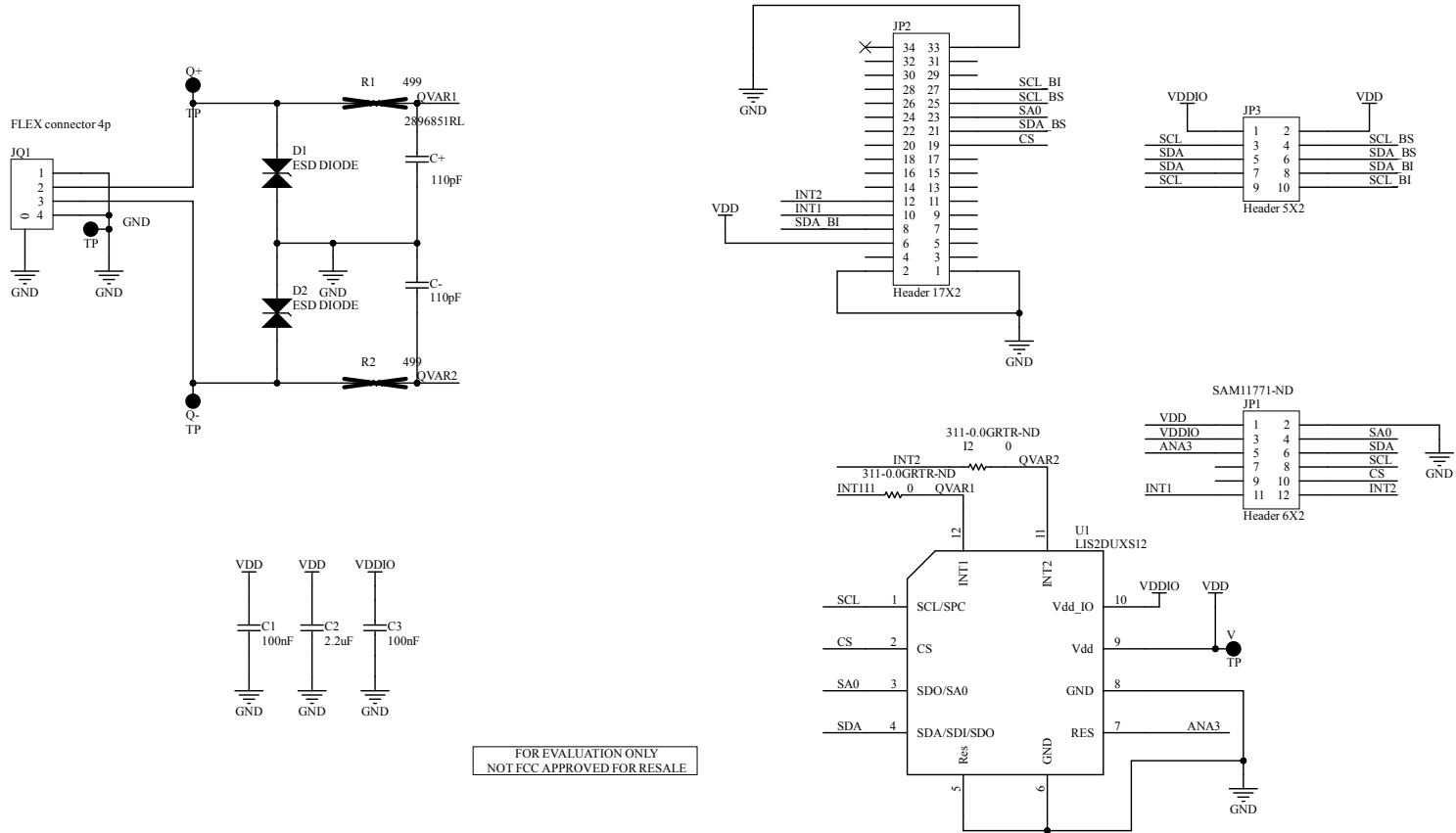


Figure 2. STEVAL-MKI246A schematic



## Revision history

**Table 1. Document revision history**

Date	Revision	Changes
13-Feb-2025	1	Initial release.

**IMPORTANT NOTICE – READ CAREFULLY**

STMicroelectronics NV and its subsidiaries (“ST”) reserve the right to make changes, corrections, enhancements, modifications, and improvements to ST products and/or to this document at any time without notice. Purchasers should obtain the latest relevant information on ST products before placing orders. ST products are sold pursuant to ST’s terms and conditions of sale in place at the time of order acknowledgment.

Purchasers are solely responsible for the choice, selection, and use of ST products and ST assumes no liability for application assistance or the design of purchasers’ products.

No license, express or implied, to any intellectual property right is granted by ST herein.

Resale of ST products with provisions different from the information set forth herein shall void any warranty granted by ST for such product.

ST and the ST logo are trademarks of ST. For additional information about ST trademarks, refer to [www.st.com/trademarks](http://www.st.com/trademarks). All other product or service names are the property of their respective owners.

Information in this document supersedes and replaces information previously supplied in any prior versions of this document.

© 2025 STMicroelectronics – All rights reserved