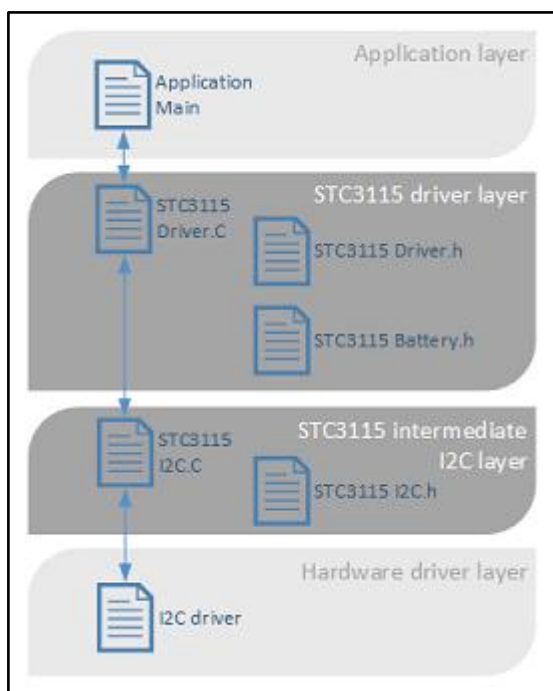


STC3115 open source driver

Data brief

**Description**

This data brief describes the STSW-BAT001 which is an open source driver to manage the STC3115.

This driver is a ready-to-use, configurable software which allows the STC3115 gas gauge IC to be rapidly integrated into a final system software.

The STC3115 open source driver provides a full API which initializes, controls, and returns STC3115 data with simple input information.

The open source driver is available for free to handle application use cases and to manage the complexity of STC3115 initialization. It is intended only for example purposes.

Features

- Initializes the STC3115 registers
- Reads and returns battery status information
- Manages battery detection features
- Saves and recovers battery information
- Manages the RAM memory of the STC3115
- Provides the power-saving mode API of the STC3115
- Provides the alarm API of the STC3115
- STSW-BAT001 is independent of the operating system
- STSW-BAT001 is independent of the processor model

1 Revision history

Table 1: Document revision history

Date	Revision	Changes
08-Dec-2014	1	Initial release.

IMPORTANT NOTICE – PLEASE READ CAREFULLY

STMicroelectronics NV and its subsidiaries ("ST") reserve the right to make changes, corrections, enhancements, modifications, and improvements to ST products and/or to this document at any time without notice. Purchasers should obtain the latest relevant information on ST products before placing orders. ST products are sold pursuant to ST's terms and conditions of sale in place at the time of order acknowledgement.

Purchasers are solely responsible for the choice, selection, and use of ST products and ST assumes no liability for application assistance or the design of Purchasers' products.

No license, express or implied, to any intellectual property right is granted by ST herein.

Resale of ST products with provisions different from the information set forth herein shall void any warranty granted by ST for such product.

ST and the ST logo are trademarks of ST. All other product or service names are the property of their respective owners.

Information in this document supersedes and replaces information previously supplied in any prior versions of this document.

© 2014 STMicroelectronics – All rights reserved