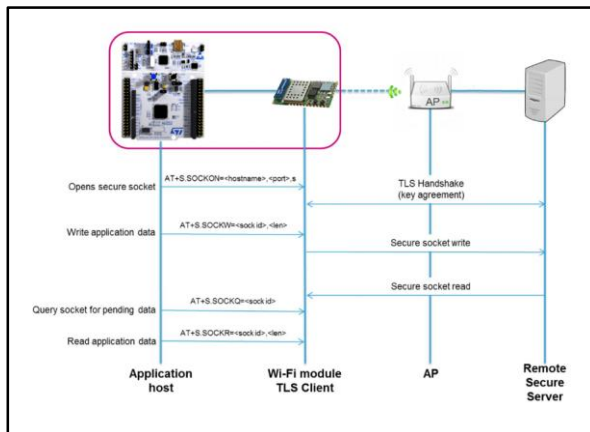


## SSL/TLS evaluation package for the SPWF01SC and the SPWF01SA Wi-Fi modules

Data brief



### Features

- The STSW-TLSpack is a zip format package including certificates and configuration files which allow the user to create a secure connection over TCP/IP protocol between the Wi-Fi module SPWF01Sxxx and a remote server exposing secured services
- Five examples are included in this package to provide different use cases where a TLS secure connection is requested
- These examples are available in five folders including certificates and private keys where needed, and related AT commands for the SPWF01Sxxx Wi-Fi module configuration

### Description

The STSW-TLSpack is an SSL/TLS evaluation package for the SPWF01SC and SPWF01SA Wi-Fi modules. The package is intended to be used in conjunction with ST application note AN4683: “Transport layer security protocol for SPWFxxx module”, which describes the SSL/TLS security protocols provided by the SPWF01Sxxx Wi-Fi modules.

The following five examples are available in the package:

Example 1: TLS client with mutual authentication.

This first example shows how to open a secure socket between the module and a PC, with openssl library installed, acting as a secure server. In this example, the TLS connection is performed with mutual authentication.

Example 2: TLS client with one-way authentication.

This second example is similar to the previous one but a TLS secure connection is performed by one-way authentication.

Example 3: Gmail SMTP server access with anonymous negotiation.

This third example shows how to securely access the Gmail SMTP server using TLS.

Example 4: Xively example with anonymous negotiation.

This fourth example shows how to connect the Wi-Fi module to the Xively platform, adopting the TLS security protocol.

Example 5: connect to HTTPS my.st.com

This example shows how to use the Wi-Fi module as a TLS client to connect to a secure HTTPS server and to send/receive HTTP requests/replies.

# 1 Revision history

**Table 1: Document revision history**

Date	Version	Changes
22-Feb-2017	1	Initial release.

**IMPORTANT NOTICE – PLEASE READ CAREFULLY**

STMicroelectronics NV and its subsidiaries ("ST") reserve the right to make changes, corrections, enhancements, modifications, and improvements to ST products and/or to this document at any time without notice. Purchasers should obtain the latest relevant information on ST products before placing orders. ST products are sold pursuant to ST's terms and conditions of sale in place at the time of order acknowledgement.

Purchasers are solely responsible for the choice, selection, and use of ST products and ST assumes no liability for application assistance or the design of Purchasers' products.

No license, express or implied, to any intellectual property right is granted by ST herein.

Resale of ST products with provisions different from the information set forth herein shall void any warranty granted by ST for such product.

ST and the ST logo are trademarks of ST. All other product or service names are the property of their respective owners.

Information in this document supersedes and replaces information previously supplied in any prior versions of this document.

© 2017 STMicroelectronics – All rights reserved