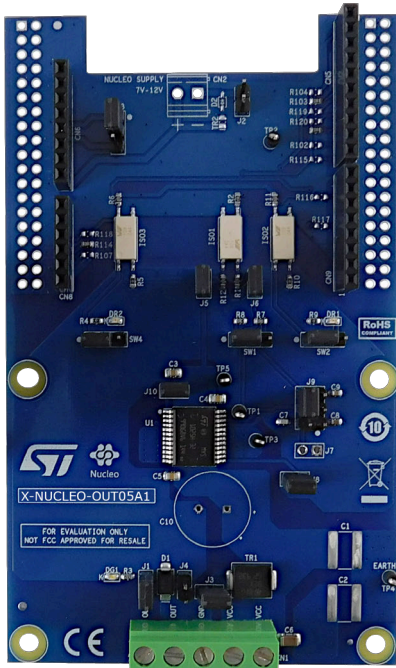


Industrial digital output expansion board based on IPS1025H for STM32 Nucleo



Features

- Based on the **IPS1025H** single high-side switch, which features:
 - Operating range up to 60 V
 - Low-power dissipation ($R_{ON(MAX)} = 25\text{ m}\Omega$)
 - Fast decay for inductive loads
 - Smart driving of capacitive loads
 - Under-voltage lock-out
 - Overload and over-temperature protection
 - PSSO24 package
- Application board operating range: 8 to 33 V/0 to 2.5 A
- Extended voltage operating range (J3 open) up to 60 V
- Green LED for output on/off status
- Red LEDs for overload and overheating diagnostics
- 5 kV galvanic isolation
- Supply rail reverse polarity protection
- EMC compliance with IEC61000-4-2, IEC61000-4-3, IEC61000-4-4, IEC61000-4-5, IEC61000-4-8
- Compatible with **STM32 Nucleo** development boards
- Equipped with Arduino UNO R3 connectors
- CE certified:
 - EN 55032:2015 + A1:2020
 - EN 55035:2017 + A11:2020
- RoHS and China RoHS compliant

Description

The **X-NUCLEO-OUT05A1** industrial digital output expansion board for **STM32 Nucleo** provides a powerful and flexible environment for the evaluation of the driving and diagnostic capabilities of the **IPS1025H** single high-side smart power solid state relay, in a digital output module connected to 2.5 A industrial loads.

The **X-NUCLEO-OUT05A1** interfaces with the microcontroller on the **STM32 Nucleo** via 5 kV optocouplers driven by GPIO pins and Arduino R3 connectors.

The expansion board can be connected to either a **NUCLEO-F401RE** or a **NUCLEO-G431RB** development board.

It is also possible to evaluate a system composed of up to four stacked **X-NUCLEO-OUT05A1** expansion boards.

As an example, a system with four **X-NUCLEO-OUT05A1** expansion boards allows you to evaluate a quad channel digital output module.

Product summary	
Industrial digital output expansion board based on IPS1025H for STM32 Nucleo	X-NUCLEO-OUT05A1
Industrial digital output software expansion for STM32Cube	X-CUBE-OUT5
Single high-side smart power solid state-relay	IPS1025H
Applications	Programmable Logic Controllers

1 Schematic diagrams

Figure 1. X-NUCLEO-OUT05A1 circuit schematic (1 of 2)

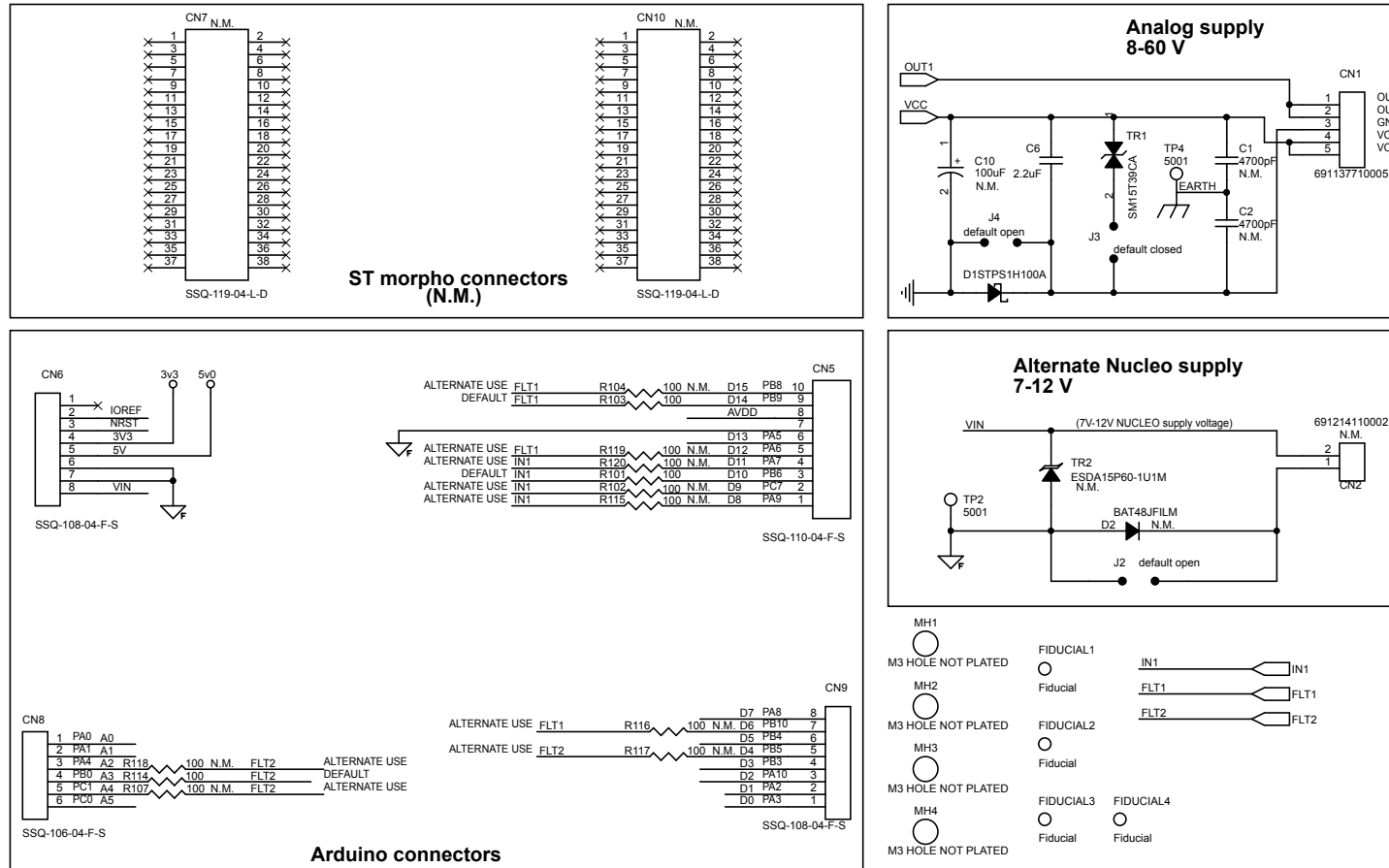
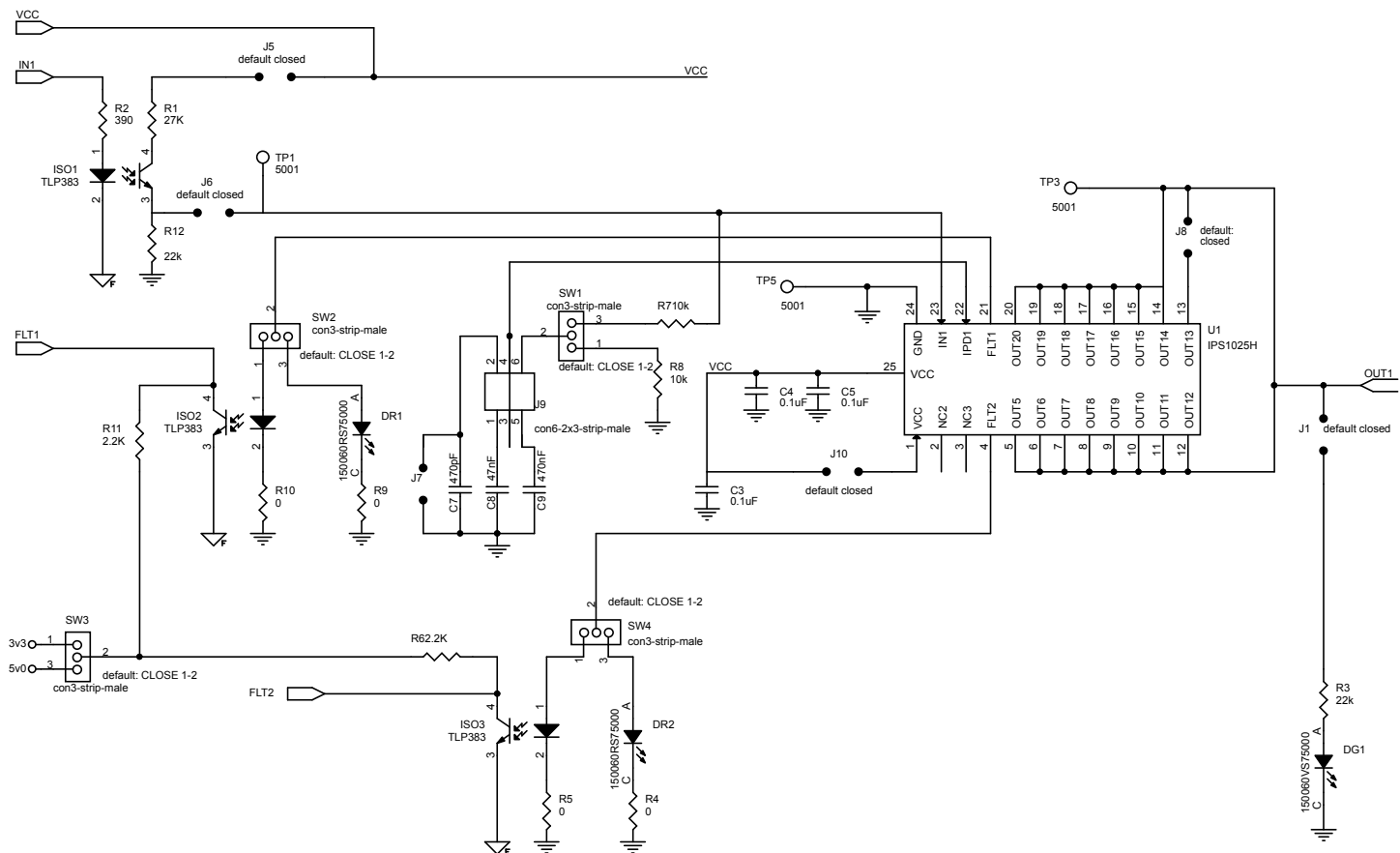


Figure 2. X-NUCLEO-OUT05A1 circuit schematic (2 of 2)



2 Board versions

Table 1. X-NUCLEO-OUT05A1 versions

Finished good	Schematic diagrams	Bill of materials
X\$NUCLEO-OUT05A1 ⁽¹⁾	X\$NUCLEO-OUT05A1 schematic diagrams	X\$NUCLEO-OUT05A1 bill of materials

1. This code identifies the X-NUCLEO-OUT05A1 evaluation board first version.

Revision history

Table 2. Document revision history

Date	Version	Changes
24-Mar-2022	1	Initial release.

IMPORTANT NOTICE – READ CAREFULLY

STMicroelectronics NV and its subsidiaries (“ST”) reserve the right to make changes, corrections, enhancements, modifications, and improvements to ST products and/or to this document at any time without notice. Purchasers should obtain the latest relevant information on ST products before placing orders. ST products are sold pursuant to ST’s terms and conditions of sale in place at the time of order acknowledgment.

Purchasers are solely responsible for the choice, selection, and use of ST products and ST assumes no liability for application assistance or the design of purchasers’ products.

No license, express or implied, to any intellectual property right is granted by ST herein.

Resale of ST products with provisions different from the information set forth herein shall void any warranty granted by ST for such product.

ST and the ST logo are trademarks of ST. For additional information about ST trademarks, refer to www.st.com/trademarks. All other product or service names are the property of their respective owners.

Information in this document supersedes and replaces information previously supplied in any prior versions of this document.

© 2022 STMicroelectronics – All rights reserved