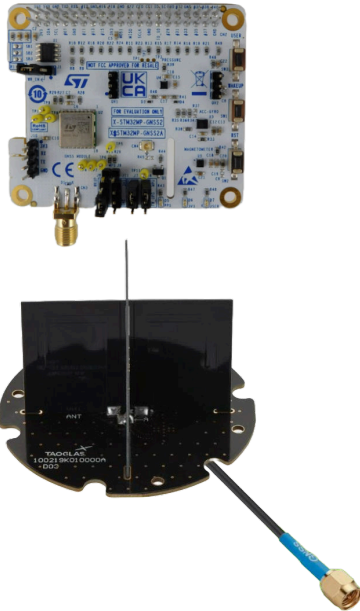


STM32MP expansion board for Low Power GNSS communication



Features

- Teseo-LIV4F GNSS Receiver
- On board iNEMO inertial module for accelerometer and gyroscope
- QVAR embedded pressure sensor for altitude measurement
- Magnetometer for position accuracy
- LEDs for PPS, power, user
- Keys for reset, wakeup and user
- EEPROM for automatic GPIO setup and driver setup
- Compatible with both STM32MP157F-DK2 and Raspberry Pi's GPIO connector

Description

X-STM32MP-GNSS2 is an STM32 MPU expansion board with Teseo-LIV4F module for Low Power Multi-Constellation GNSS positioning using various sensors for data accuracy.

The X-STM32MP-GNSS2 interfaces with the STM32MP microprocessor via 40 pin GPIO connector pins using I2C, UART, GPIO connections for various components. It is compatible with both STM32MP157F-DK2 and Raspberry Pi's GPIO connector layout.

Teseo-LIV4F is a global navigation satellite system (GNSS) standalone low power module. It embeds the Teseo IV positioning receiver IC working simultaneously on multiple constellations (GPS/Galileo/Glonass/BeiDou/QZSS/IRNSS).

iNEMO inertial module ISM330DHCX has a full-scale acceleration range of $\pm 2/\pm 4/\pm 8/\pm 16$ g and a wide angular rate range of $\pm 125/\pm 250/\pm 500/\pm 1000/\pm 2000/\pm 4000$ dps.

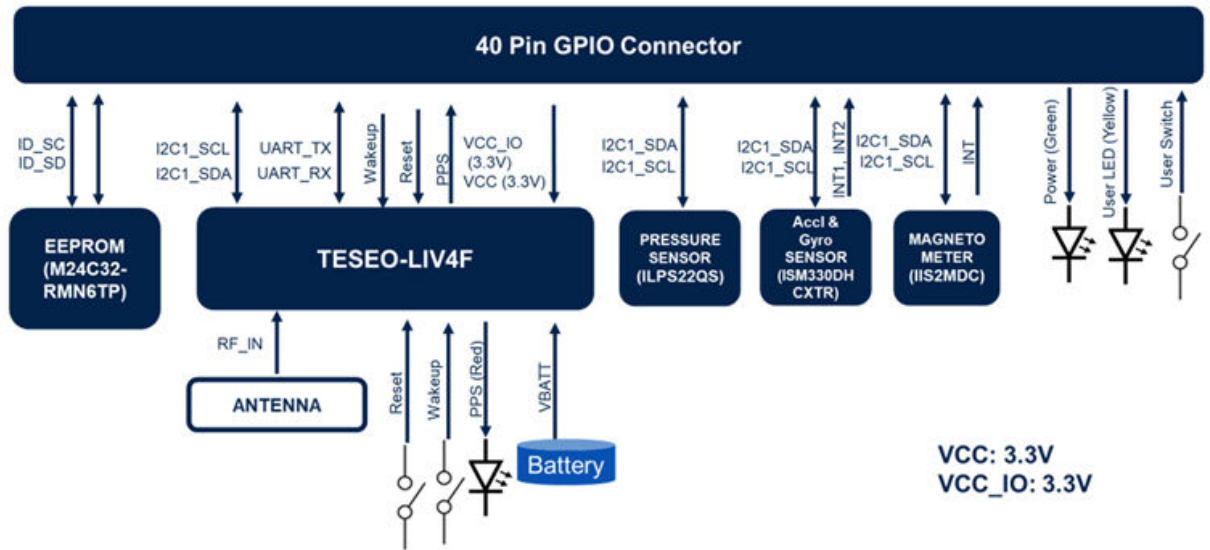
QVAR Embedded ILPS22QS functions as a digital output barometer, supporting dual full-scale up to 4060 hPa.

The IIS2MDC is a high-accuracy, ultra-low-power 3-axis digital magnetic sensor having dynamic range up to ± 50 gauss.

Product summary	
Discovery kit with STM32MP157F MPU	STM32MP157F-DK2
STM32 MPU OpenSTLinux software expansion package for GNSS-based applications	X-LINUX-GNSS1
Applications	Guidance and positioning Mobility services

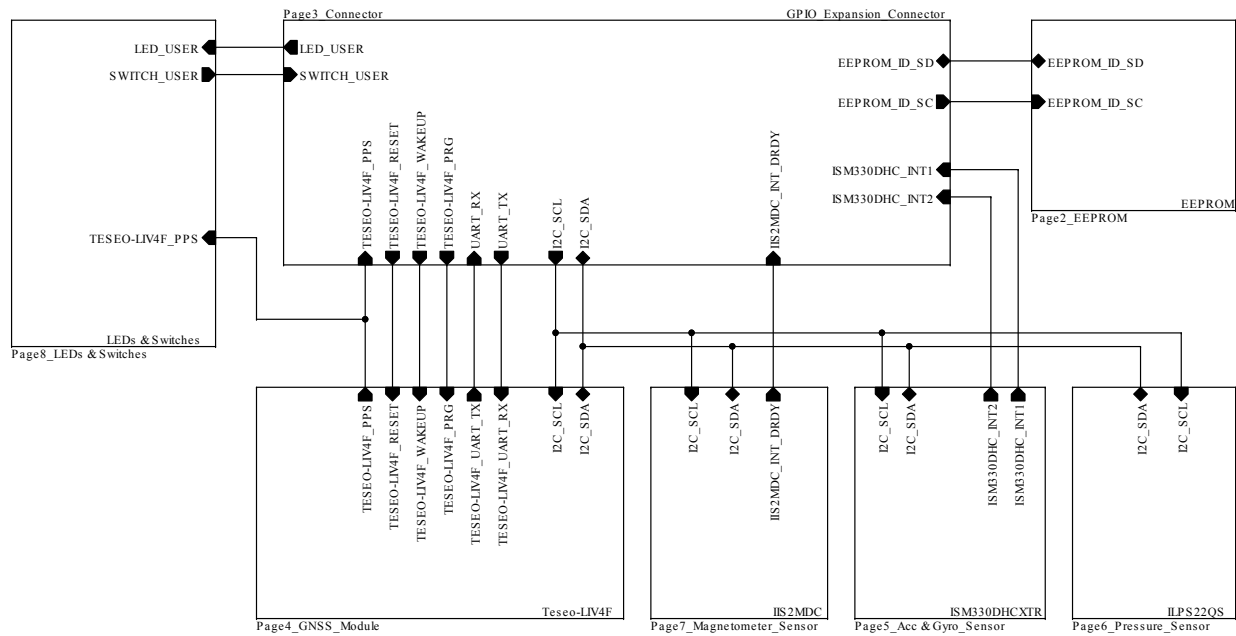
1 Block diagram

Figure 1. Block diagram



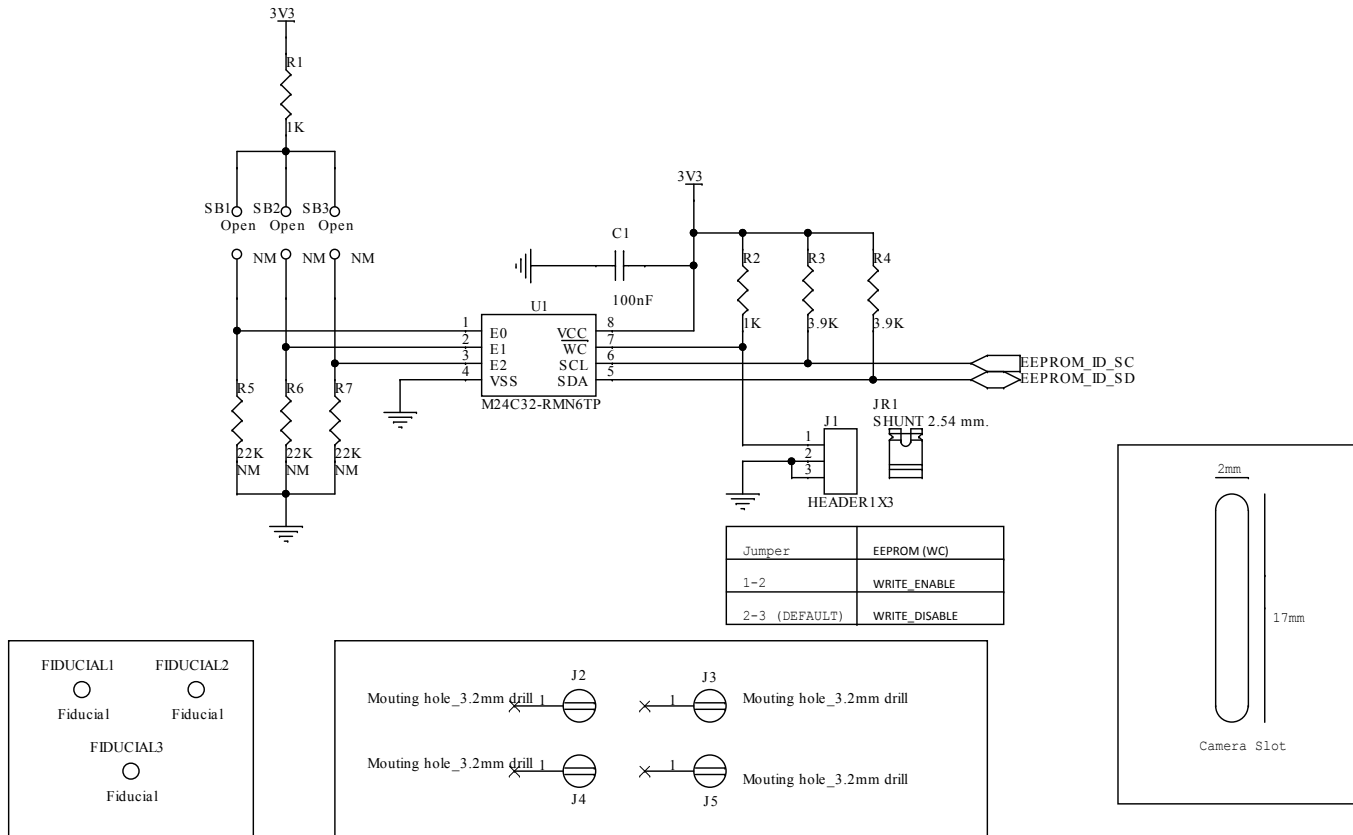
2 Schematic diagrams

Figure 2. X-STM32MP-GNSS2 schematic diagram (1 of 8)



STMicroelectronics and/or its licensors do not warrant the accuracy or completeness of this specification or any information contained therein. STMicroelectronics and/or its licensors do not warrant that this design will meet the specifications, will be suitable for your application or fit for any particular purpose, or will operate in an implementation. STMicroelectronics and/or its licensors do not warrant that the design is production worthy. You should completely validate and test your design implementation to confirm the system functionality for your application.

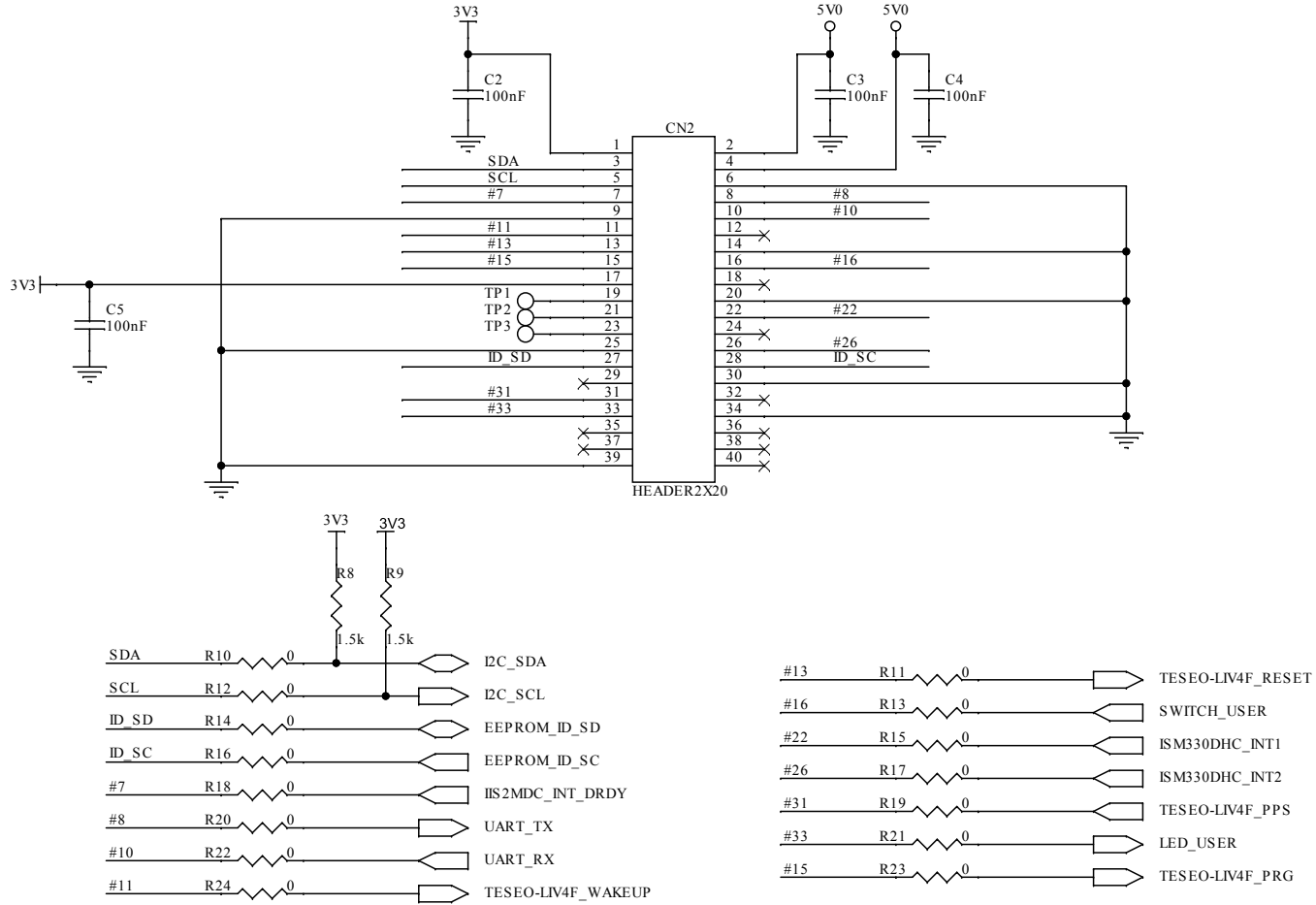
Figure 3. X-STM32MP-GNSS2 schematic diagram (2 of 8)



STMicroelectronics and/or its licensors do not warrant the accuracy or completeness of this specification or any information contained therein. STMicroelectronics and/or its licensors do not warrant that this design will meet the specifications, will be suitable for your application or fit for any particular purpose, or will operate in an implementation. STMicroelectronics and/or its licensors do not warrant that the design is production worthy. You should completely validate and test your design implementation to confirm the system functionality for your application.



Figure 4. X-STM32MP-GNSS2 schematic diagram (3 of 9)



STMicroelectronics and/or its licensors do not warrant the accuracy or completeness of this specification or any information contained therein. STMicroelectronics and/or its licensors do not warrant that this design will meet the specifications, will be suitable for your application or fit for any particular purpose, or will operate in an implementation. STMicroelectronics and/or its licensors do not warrant that the design is production worthy. You should completely validate and test your design implementation to confirm the system functionality for your application.



Figure 5. X-STM32MP-GNSS2 schematic diagram (4 of 8)

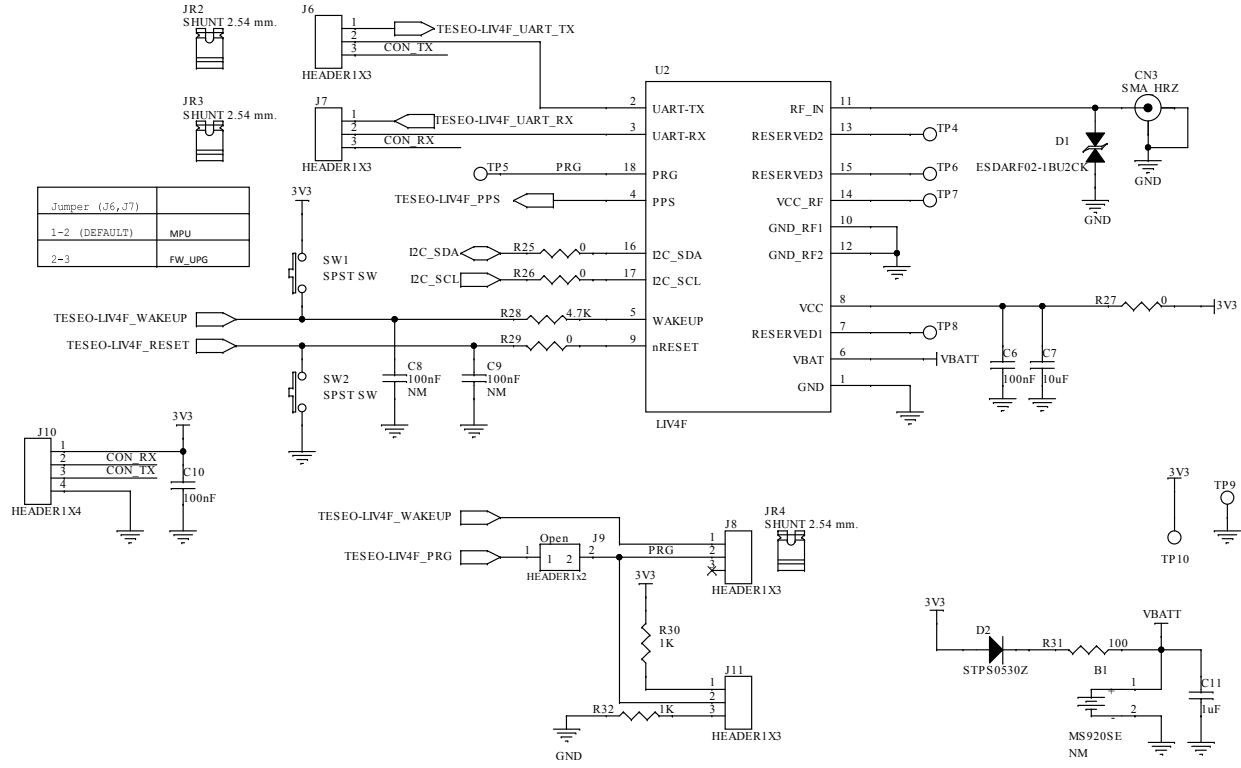
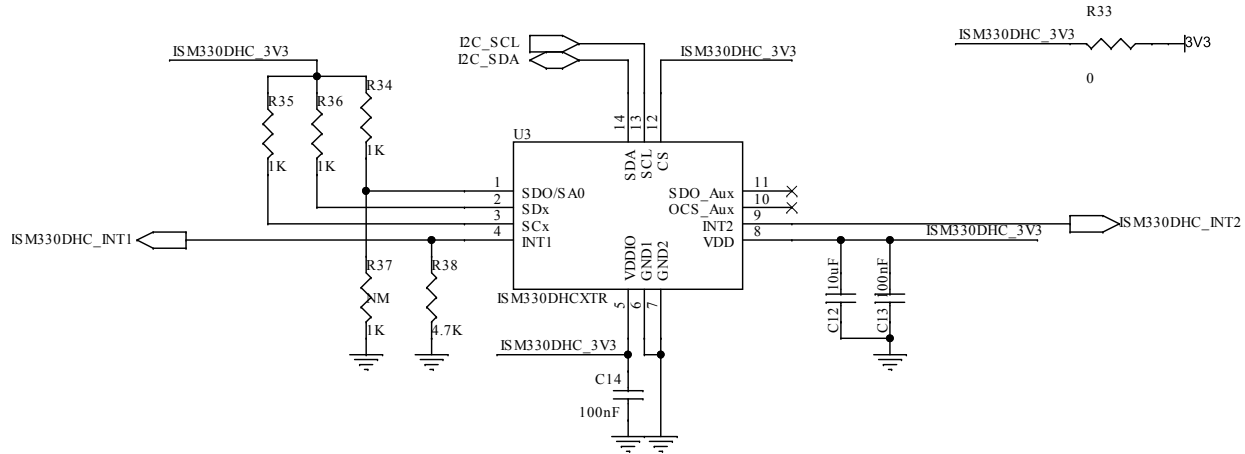


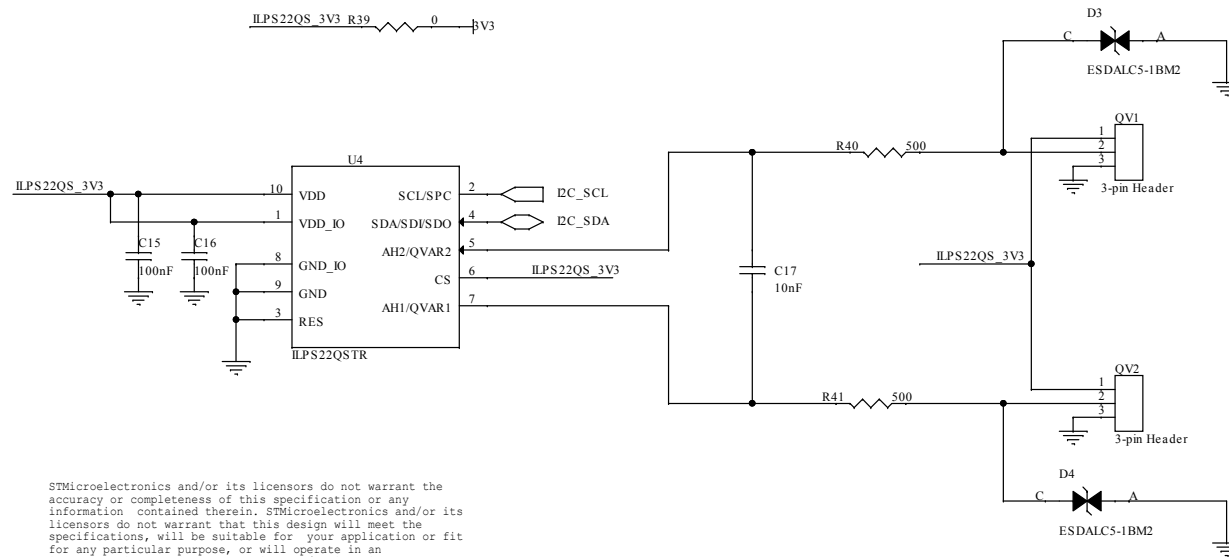
Figure 6. X-STM32MP-GNSS2 schematic diagram (5 of 8)



STMicroelectronics and/or its licensors do not warrant the accuracy or completeness of this specification or any information contained therein. STMicroelectronics and/or its licensors do not warrant that this design will meet the specifications, will be suitable for your application or fit for any particular purpose, or will operate in an implementation. STMicroelectronics and/or its licensors do not warrant that the design is production worthy. You should completely validate and test your design implementation to confirm the system functionality for your application.

Accelerometer and Gyroscope

Figure 7. X-STM32MP-GNSS2 schematic diagram (6 of 8)

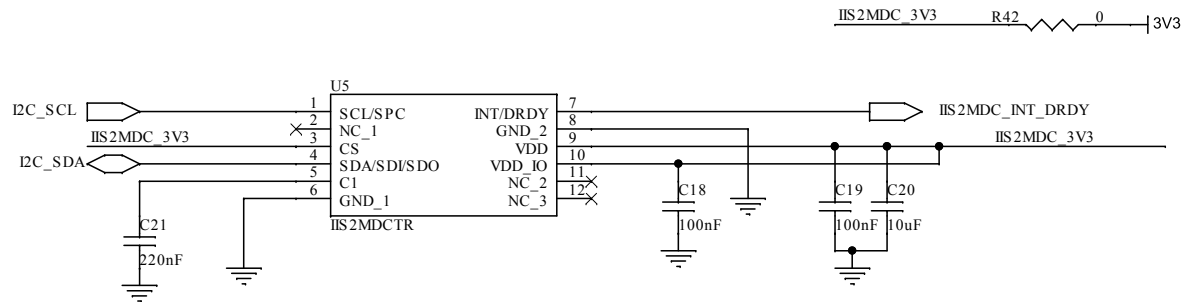


STMicroelectronics and/or its licensors do not warrant the accuracy or completeness of this specification or any information contained therein. STMicroelectronics and/or its licensors do not warrant that this design will meet the specifications, will be suitable for your application or fit for any particular purpose, or will operate in an implementation. STMicroelectronics and/or its licensors do not warrant that the design is production worthy. You should completely validate and test your design implementation to confirm the system functionality for your application.

Pressure Sensor



Figure 8. X-STM32MP-GNSS2 schematic diagram (7 of 8)

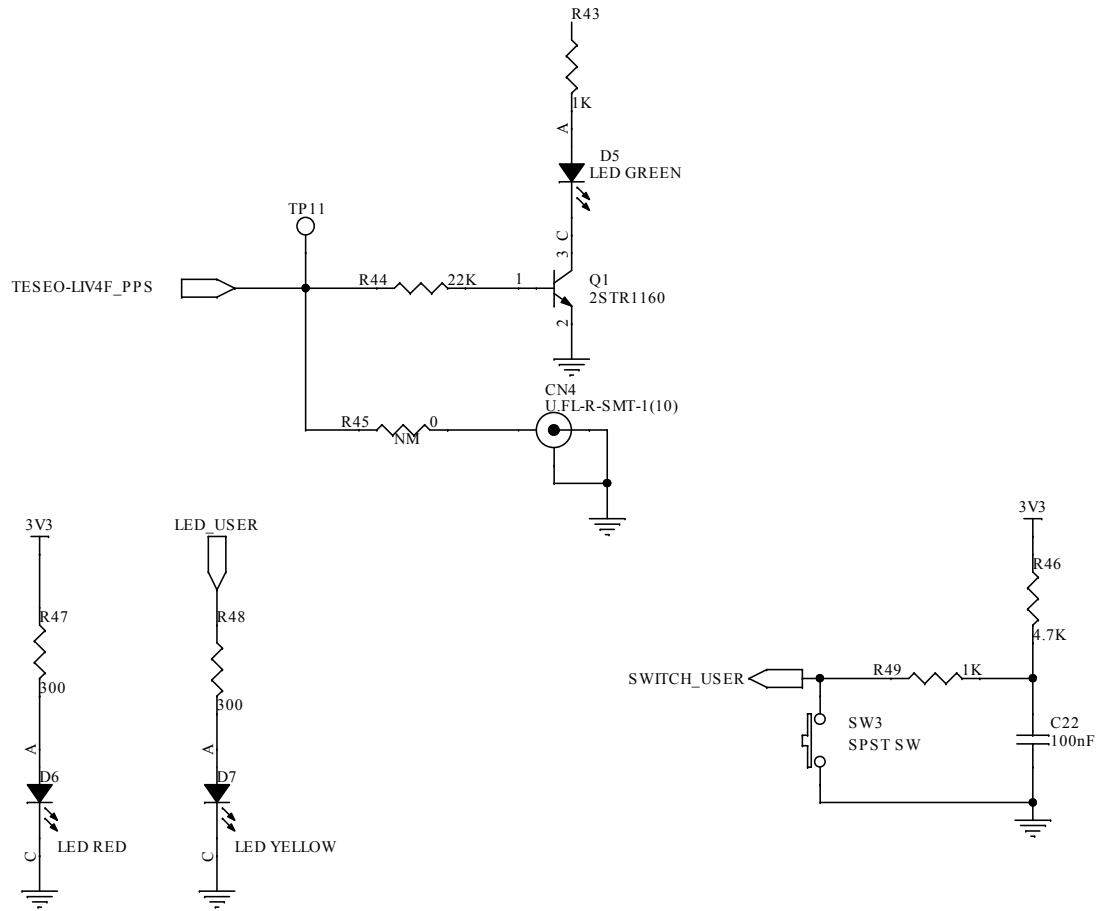


STMicroelectronics and/or its licensors do not warrant the accuracy or completeness of this specification or any information contained therein. STMicroelectronics and/or its licensors do not warrant that this design will meet the specifications, will be suitable for your application or fit for any particular purpose, or will operate in an implementation. STMicroelectronics and/or its licensors do not warrant that the design is production worthy. You should completely validate and test your design implementation to confirm the system functionality for your application.

Magnetometer



Figure 9. X-STM32MP-GNSS2 schematic diagram (8 of 8)



STMicroelectronics and/or its licensors do not warrant the accuracy or completeness of this specification or any information contained therein. STMicroelectronics and/or its licensors do not warrant that this design will meet the specifications, will be suitable for your application or fit for any particular purpose, or will operate in an implementation. STMicroelectronics and/or its licensors do not warrant that the design is production worthy. You should completely validate and test your design implementation to confirm the system functionality for your application.



3 X-STM32MP-GNSS2 versions

Table 1. X-STM32MP-GNSS2 versions

PCB version	Schematic diagrams	Bill of materials
X\$STM32MP-GNSS2A ⁽¹⁾	X\$STM32MP-GNSS2A schematic diagrams	X\$STM32MP-GNSS2A bill of materials

1. This code identifies the X-STM32MP-GNSS2 evaluation board first version. It is printed on the board PCB.

Revision history

Table 2. Document revision history

Date	Revision	Changes
13-Nov-2023	1	Initial release.

IMPORTANT NOTICE – READ CAREFULLY

STMicroelectronics NV and its subsidiaries (“ST”) reserve the right to make changes, corrections, enhancements, modifications, and improvements to ST products and/or to this document at any time without notice. Purchasers should obtain the latest relevant information on ST products before placing orders. ST products are sold pursuant to ST’s terms and conditions of sale in place at the time of order acknowledgment.

Purchasers are solely responsible for the choice, selection, and use of ST products and ST assumes no liability for application assistance or the design of purchasers’ products.

No license, express or implied, to any intellectual property right is granted by ST herein.

Resale of ST products with provisions different from the information set forth herein shall void any warranty granted by ST for such product.

ST and the ST logo are trademarks of ST. For additional information about ST trademarks, refer to www.st.com/trademarks. All other product or service names are the property of their respective owners.

Information in this document supersedes and replaces information previously supplied in any prior versions of this document.

© 2023 STMicroelectronics – All rights reserved