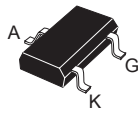
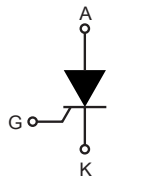


## 0.8 A sensitive gate SCR thyristor in SOT23-3L



SOT23-3L



### Features

- On-state rms current, 0.8 A sensitive
- Repetitive peak off-state voltage, 600 V
- Non-repetitive surge peak off-state voltage, 750 V
- Narrow sensitive gate current range [30 to 150]  $\mu\text{A}$
- Compact SOT23-3L package:
  - Creepage distance of 1.1 mm
  - 9 mm<sup>2</sup> footprint

### Applications

- Ground-fault circuit interrupter (GFI)
- Arc-fault circuit interrupter (AFCI)
- Overvoltage crowbar protection in power supplies
- Capacitive ignition circuits
- Low consumption triggering switches

### Description

Thanks to highly sensitive triggering levels, X0115ML SCR thyristor is suitable for all applications where available gate current is limited. The X0115ML offers a high blocking voltage of 600 V, and a surge peak voltage of 750 V, ideal for applications like ground fault circuit interrupter (GFCI) and arc fault circuit interrupters (AFCI).

The SOT23-3L package provides the smallest SCR footprint while keeping 1.1 mm creepage distance, guaranteeing 120 V functional insulation (UL-840) at level 2 pollution degree without extra certification.

Product status link	
<a href="#">X0115ML</a>	
Product summary	
$I_{T(RMS)}$	0.8 A
$V_{DRM}/V_{RRM}$	600 V
$V_{DSM}/V_{RSM}$	750 V
$I_{GT}$	[30-150] $\mu\text{A}$

# 1 Characteristics

**Table 1. Absolute maximum ratings (limiting values)**

Symbol	Parameters		Value	Unit	
$I_{T(RMS)}$	On-state RMS current (180° conduction angle)		0.8	A	
$I_{T(AV)}$	Average on-state current (180° conduction angle)				
$I_{TSM}$	Non repetitive surge peak on-state current ( $T_j$ initial = 25 °C)	$t_p = 8.3$ ms	7.6	A	
		$t_p = 10$ ms			
	One surge every 500 ms, 50 surges	$t_p = 8.3$ ms	$T_{AMB} = 105$ °C		5
$I^2t$	$I^2t$ value for fusing	$t_p = 10$ ms	$T_j = 25$ °C	0.25	A <sup>2</sup> s
dI/dt	Critical rate of rise of on-state current $I_G = 2 \times I_{GT}$ , $t_r \leq 100$ ns	f = 60 Hz	$T_j = 25$ °C	75	A/μs
$V_{DRM} / V_{RRM}$	Repetitive peak off-state voltage		$T_j = 125$ °C	600	V
$V_{DSM} / V_{RSM}$	Non repetitive surge peak off-state voltage	$t_p = 10$ ms	$T_j = 25$ °C	750	V
$I_{GM}$	Peak forward gate current	$t_p = 20$ μs	$T_j = 125$ °C	1.2	A
$P_{G(AV)}$	Average gate power dissipation		$T_j = 125$ °C	0.2	W
$T_{stg}$	Storage junction temperature range			-40 to +150	°C
$T_j$	Operating junction temperature range			-40 to +125	°C

**Table 2. Electrical characteristics ( $T_j = 25$  °C, unless otherwise specified)**

Symbol	Parameters	Value		Unit
		Min.	Max.	
$I_{GT}$	$V_D = 12$ V, $R_L = 33$ Ω	30	150	μA
		Max.		
$V_{GT}$		0.8		V
$V_{GD}$	$V_D = V_{DRM}$ , $R_L = 3.3$ kΩ, $R_{GK} = 1$ kΩ, $T_j = 125$ °C	0.2		V
$V_{RG}$	$I_{RG} = 10$ μA	5		V
$I_H$	$I_T = 50$ A, gate open, $R_{GK} = 1$ kΩ	5		mA
$I_L$	$I_G = 1.2 I_{GT}$ , $R_{GK} = 1$ kΩ	6		mA
dV/dt	$V_D = 67\%$ $V_{DRM}$ , gate open, $R_{GK} = 1$ kΩ, $T_j = 125$ °C	80		V/μs

**Table 3. Static characteristics**

Symbol	Test conditions		Value		Unit	
$V_{TM}$	$I_{TM} = 1.6$ A, $t_p = 380$ μs	$T_j = 25$ °C	Max.	1.7	V	
$V_{TO}$	Threshold on-state voltage		$T_j = 125$ °C	Max.	1.06	V
$R_d$	Dynamic resistance		$T_j = 125$ °C	Max.	540	mΩ
$I_{DRM} / I_{RRM}$	$V_T = V_{DRM}$ , $V_T = V_{RRM}$ , $R_{GK} = 1$ kΩ	$T_j = 25$ °C	Max.	1	μA	
		$T_j = 125$ °C		150	μA	

**Table 4. Thermal resistance**

Symbol	Parameters		Value	Unit
$R_{th(j-l)}$	Junction to lead (DC)	Typ.	60	°C/W
$R_{th(j-a)}$	Junction to ambient (DC) for 5 cm <sup>2</sup> copper surface	Typ.	400	

## 2 Package information

In order to meet environmental requirements, ST offers these devices in different grades of **ECOPACK** packages, depending on their level of environmental compliance. ECOPACK specifications, grade definitions and product status are available at: [www.st.com](http://www.st.com). ECOPACK is an ST trademark.

### 2.1 SOT23-3L package information

- Lead-free package
- Halogen free molding resin
- Epoxy meets UL94, V0

**Figure 1. SOT23-3L package outline**

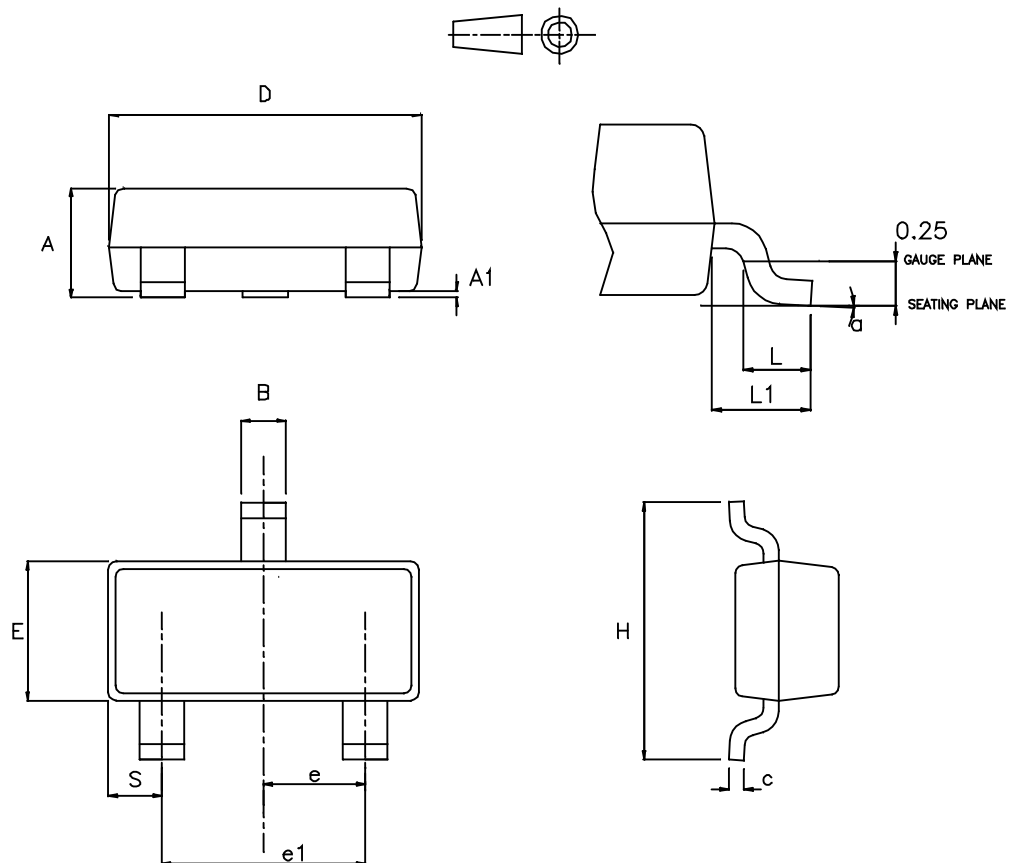
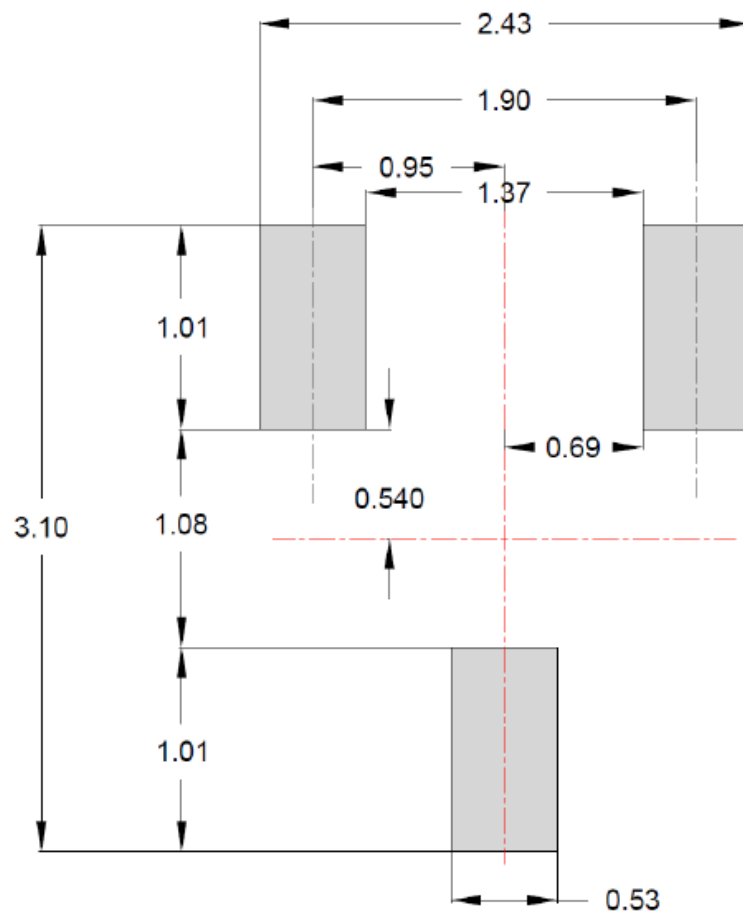


Table 5. SOT23-3L package mechanical data

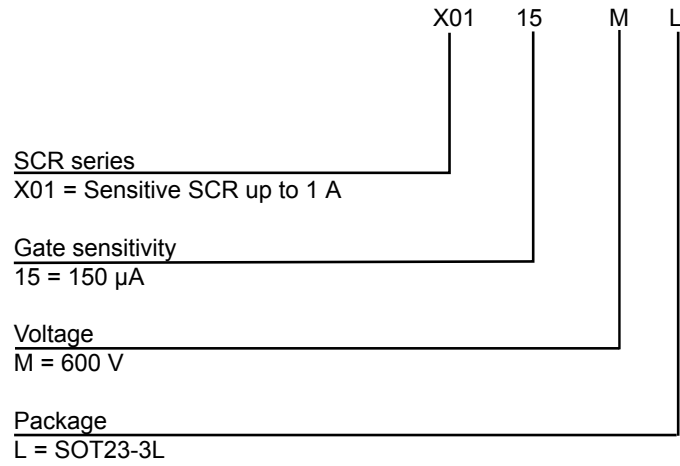
Ref.	Dimensions					
	Millimeters			Inches		
	Min.	Typ.	Max.	Min.	Typ.	Max.
A	0.89		1.25	0.035		0.0493
A1	0		0.15	0		0.006
B	0.30		0.51	0.0118		0.0201
C	0.085		0.20	0.0033		0.0079
D	2.75		3.04	0.1082		0.1197
E	1.20		1.75	0.0472		0.0689
e	0.85	0.95	1.05	0.0334	0.0374	0.0414
e1	1.70	1.90	2.10	0.0669	0.0748	0.0827
H	2.10		3.00	0.0826		0.1182
L	0.25		0.61	0.0098		0.0241
L1		0.55			0.0217	
S	0.35		0.65	0.0137		0.0256
a	0°		8°	0°		8°

Figure 2. Footprint recommendations, dimensions in mm



### 3 Ordering information

**Figure 3. Ordering information scheme**



**Table 6. Ordering information**

Order code	Marking	Package	Weight	Base qty.	Delivery mode
X0115ML	X1M	SOT23-3L	0.01 mg	3000	Tape and reel

## Revision history

**Table 7. Document revision history**

Date	Revision	Changes
29-Oct-2020	1	First issue.
09-Jun-2021	2	Updated <a href="#">Table 1</a> , <a href="#">Table 3</a> and <a href="#">Table 4</a> .

**IMPORTANT NOTICE – PLEASE READ CAREFULLY**

STMicroelectronics NV and its subsidiaries (“ST”) reserve the right to make changes, corrections, enhancements, modifications, and improvements to ST products and/or to this document at any time without notice. Purchasers should obtain the latest relevant information on ST products before placing orders. ST products are sold pursuant to ST’s terms and conditions of sale in place at the time of order acknowledgement.

Purchasers are solely responsible for the choice, selection, and use of ST products and ST assumes no liability for application assistance or the design of Purchasers’ products.

No license, express or implied, to any intellectual property right is granted by ST herein.

Resale of ST products with provisions different from the information set forth herein shall void any warranty granted by ST for such product.

ST and the ST logo are trademarks of ST. For additional information about ST trademarks, please refer to [www.st.com/trademarks](http://www.st.com/trademarks). All other product or service names are the property of their respective owners.

Information in this document supersedes and replaces information previously supplied in any prior versions of this document.

© 2021 STMicroelectronics – All rights reserved