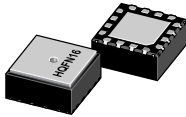


Digital absolute pressure sensor, 60 kPa to 165 kPa



Features

- Absolute pressure range: 60 kPa to 165 kPa
- Operating temperature range: $-40\text{ }^{\circ}\text{C}$ to $130\text{ }^{\circ}\text{C}$
- Pressure transducer and digital signal processor (DSP)
 - Digital self-test
- I²C compatible serial interface
 - Client mode operation
 - Standard mode, Fast mode, and Fast-mode Plus support
- 32-bit SPI compatible serial interface
 - Sensor data transmission commands
 - 12-bit data for absolute pressure
 - 8-bit data for temperature
 - 2-bit basic status and 2-bit detailed status fields
 - 3, 4, or 8-bit configurable CRC
- Capacitance to voltage converter with anti-aliasing filter
- Sigma delta ADC plus sinc filter
- 800 Hz or 1000 Hz low-pass filter for absolute pressure
- Lead-free, 16-pin HQFN, 4 mm x 4 mm x 1.98 mm package

Applications

Automotive

- Engine management digital MAP and BAP
- Comfort seating
- Small engine control
- Battery pressure monitoring

Industrial

- Compressed air
- Manufacturing line control
- Gas metering
- Weather stations

Description

The FXPS7165Dx4S high-performance, high-precision barometric absolute pressure (BAP) sensor consists of a compact capacitive micro-electro-mechanical systems (MEMS) device coupled with a digital integrated circuit (IC) producing a fully calibrated digital output.

The sensor is based on ST's high-precision capacitive pressure cell technology. The architecture benefits from redundant pressure transducers as an expanded quality measure. This sensor delivers highly accurate pressure and temperature readings through either a serial peripheral interface (SPI) or an inter-integrated circuit (I²C) interface. Furthermore, the sensor employs an on-demand digital self-test for the digital IC and the MEMS transducers.

The sensor operates over a pressure range of 60 kPa to 165 kPa and over a wide temperature range of $-40\text{ }^{\circ}\text{C}$ to $130\text{ }^{\circ}\text{C}$.

The sensor comes in an industry-leading 4 mm x 4 mm x 1.98 mm, restriction of hazardous substances (RoHS) compliant, high power quad flat no lead (HQFN) package ^[1] suitable for small PCB integration. Its AEC-Q100 ^[2] compliance, high accuracy, reliable performance, and high media resistivity make it ideal for use in automotive and industrial applications.

1 Ordering information

Table 1. Package information

Type number	Package	
	Name	Description
FXPS7165DI4S FXPS7165DS4S	HQFN16	HQFN16, plastic, thermal enhanced quad flat pack; no leads; 16 terminals; 0.8 mm pitch; 4 mm x 4 mm x 1.98 mm body

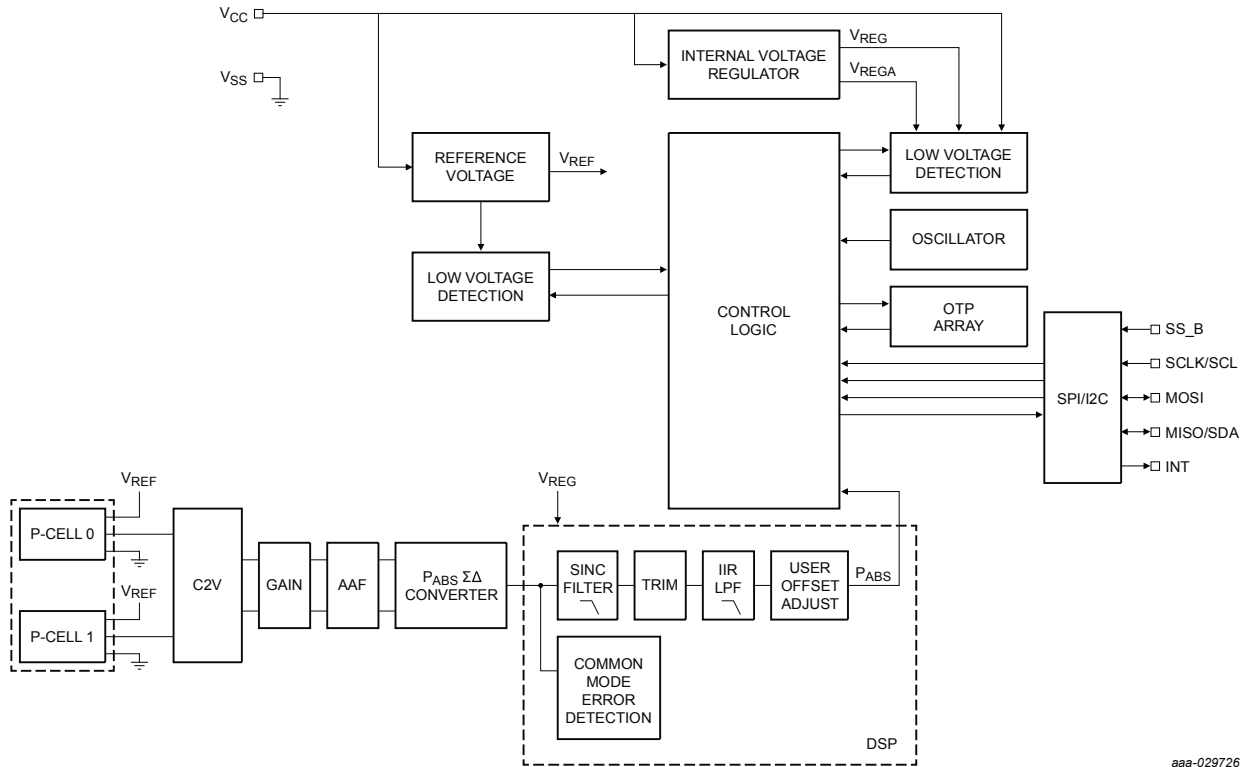
Ordering options

Table 2. Ordering options

Device	Range [kPa]	Packing	Interface	Temperature range
FXPS7165DI4ST1	60 kPa to 165 kPa	Tape and reel	I ² C	-40 °C to 130 °C
FXPS7165DS4ST1	60 kPa to 165 kPa	Tape and reel	SPI	-40 °C to 130 °C

2 Block diagram

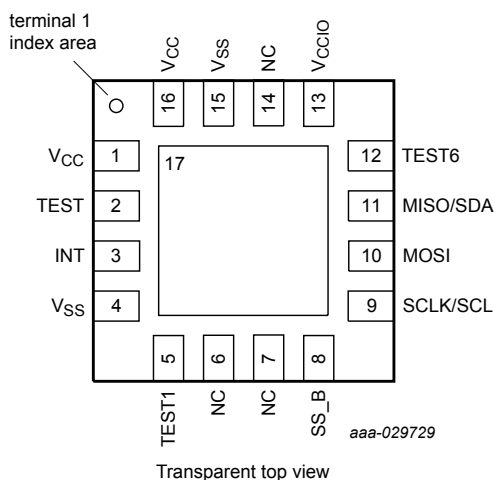
Figure 1. Block diagram of FXPS7165Dx4S



aaa-029726

3 Pinning information

3.1 Pinning

Figure 2. Pin configuration for 16-pin HQFN


3.2 Pin description

Table 3. Pin description

Pin	Pin name	Description
3	INT	Interrupt output The output can be configured to be active low or active high. If unused, ST recommends pin 3 be unterminated. Optionally, pin 3 can be tied to V _{SS} .
1, 16	V _{CC}	Power supply
4, 15	V _{SS}	Supply return (ground)
2, 12	TESTx	Test pin. ST recommends pins 2, and 12 be unterminated. Optionally, these pins can be tied to V _{SS} .
5	TESTx	Test pin. ST recommends pin 5 be tied to V _{CC} . Optionally, this pin can be tied to V _{SS} . This pin should not be left unconnected.
6, 7, 14	NC	No connect
8	SS_B	Client / Device select In I ² C mode, input pin 8 must be connected to V _{CC} with an external pull-up resistor, as shown in the application diagram. In SPI mode, input pin 8 provides the client select for the SPI port. An internal pull-up device is connected to this pin.
9	SCLK/SCL	In I ² C mode, input pin 9 provides the serial clock. This pin must be connected to V _{CC} with an external pull-up resistor, as shown in the application diagram. In SPI mode, input pin 9 provides the serial clock. An internal pull-down device is connected to this pin.
10	MOSI	SPI data in In SPI mode, pin 10 functions as the serial data input to the SPI port. An internal pull-down device is connected to this pin.
11	MISO/SDA	SPI/I ² C data out In I ² C mode, pin 11 functions as the serial data input/output. Pin 11 must be connected to V _{CC} with an external pull-up resistor, as shown in the application diagram. In SPI mode, pin 11 functions as the serial data output.
13	V _{CCIO}	I/O supply Pin 13 must be connected to V _{CC} , the device supply.
17	PAD	Die attach pad Pin 17 is the die attach flag, and must be connected to V _{SS} .

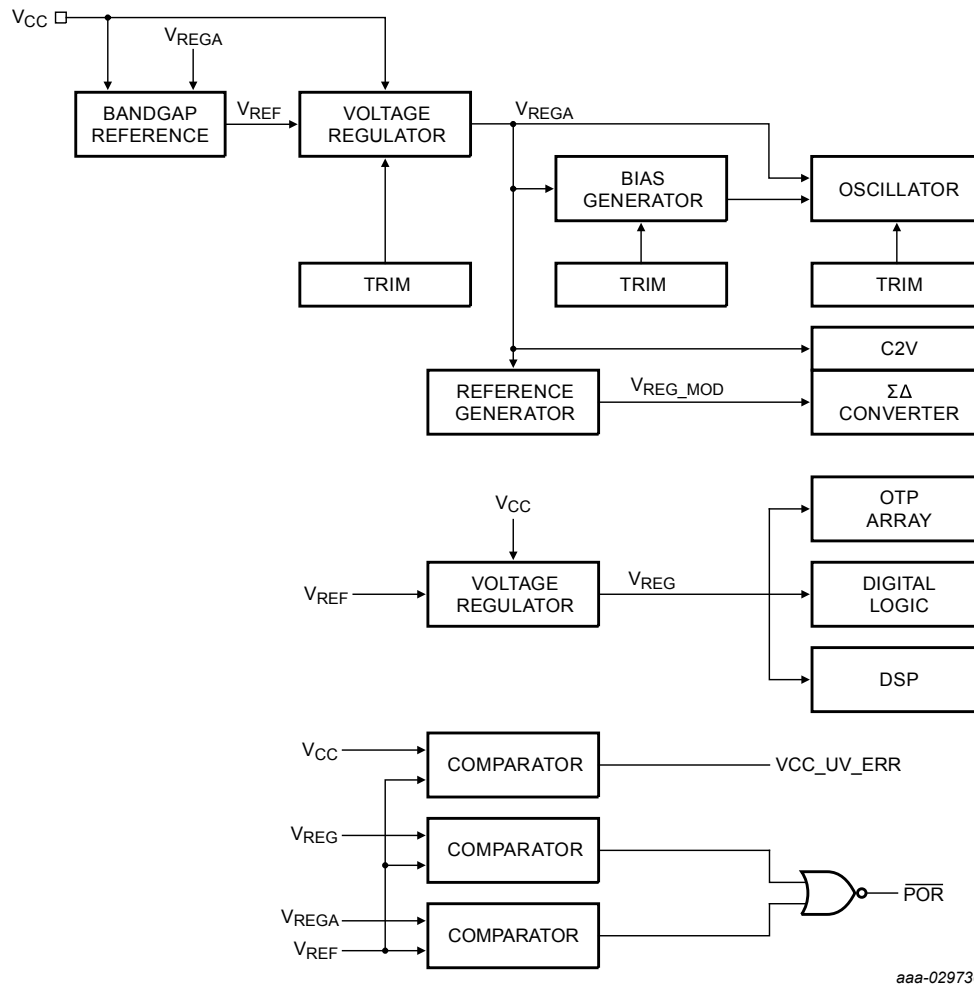
4 Functional description

4.1 Voltage regulators

The device derives its internal supply voltage from the V_{CC} and V_{SS} pins. An external filter capacitor is required for V_{CC} , as shown in Figure 23. I²C application diagram of FXPS7165Dx4S and Figure 24. SPI application diagram for FXPS7165Dx4S .

A reference generator provides a reference voltage for the $\Sigma\Delta$ converter.

Figure 3. Voltage regulation and monitoring



4.1.1 V_{CC} , V_{REG} , V_{REGA} , undervoltage monitor

A circuit is incorporated to monitor the V_{CC} supply voltage and the internally regulated voltages V_{REG} and V_{REGA} . If any of the voltages fall below the specified undervoltage thresholds in Table 104. Static characteristics, SPI and I²C transactions are terminated. Once the supply returns above the threshold, the device resumes responses.

4.2 Internal oscillator

The device includes a factory trimmed oscillator.

4.3 Pressure sensor signal path

4.3.1 Self-test functions

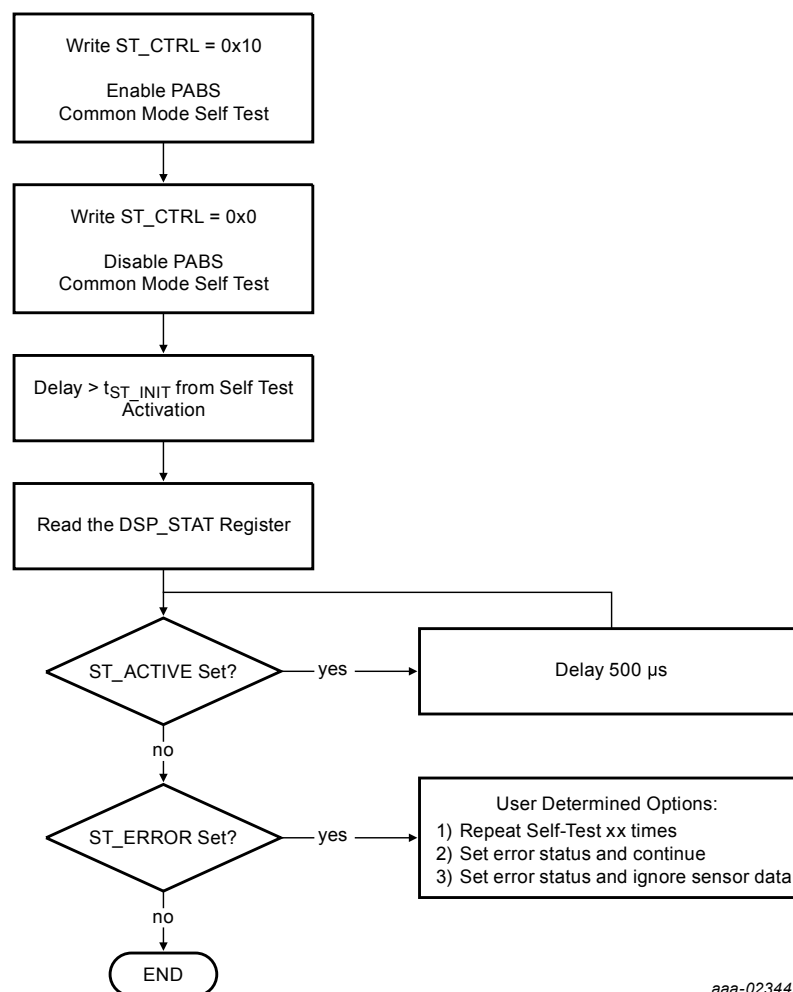
The device includes analog and digital self-test functions to verify the functionality of the transducer and the signal chain. The self-test functions are selected by writing to the ST_CTRL[3:0] bits in the DSP_CFG_U5 register. The ST_CTRL bits select the desired self-test connection.

Once the ENDINIT bit is set, the ST_CTRL bits are forced to '0000'. Future writes to the ST_CTRL bits are disabled until a device reset.

4.3.1.1 P_{ABS} common mode verification

When the P_{ABS} common mode self-test is selected, the ST_ACTIVE bit is set, the ST_ERROR is cleared, and the device begins an internal measurement of the common mode signal of the P-cells and compares the result against a predetermined limit. If the result exceeds the limit, the ST_ERROR bit is set. The P_{ABS} common mode self-test repeats continuously every t_{ST_INIT} when the ST_CTRL bits are set to the specified value. Once the test is disabled, the ST_ERROR bit updates with the final test result within t_{ST_INIT} of disabling the test. The ST_ACTIVE bit remains set until the final test result is reported. [Figure 4. User-controlled P_{ABS} common mode self-test flowchart](#) is an example of a user-controlled self-test procedure.

Figure 4. User-controlled P_{ABS} common mode self-test flowchart

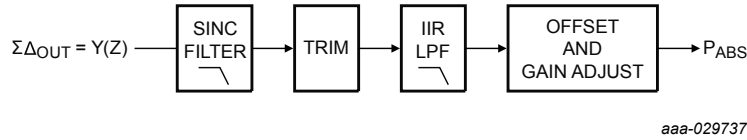


aaa-023443

4.3.3 Digital signal processor (DSP)

A DSP is used to perform signal filtering and compensation. A diagram illustrating the signal processing flow within the DSP is shown in Figure 6. Signal chain diagram.

Figure 6. Signal chain diagram

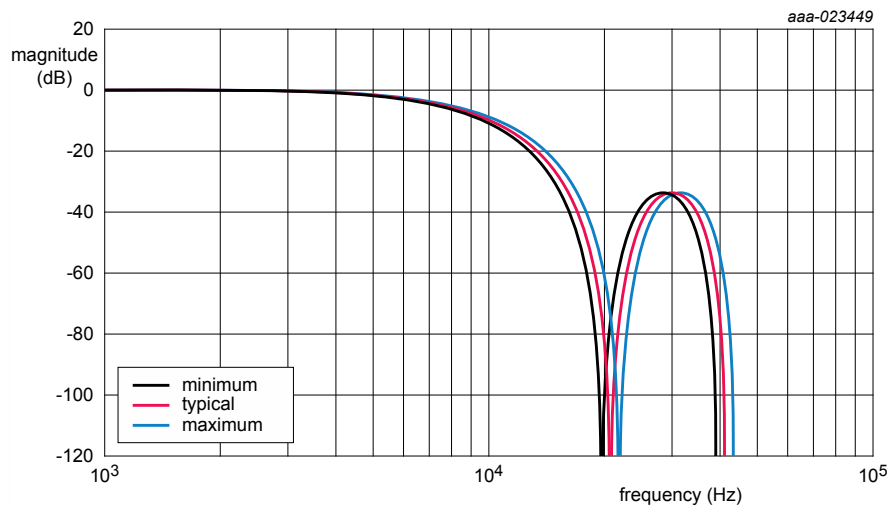


4.3.3.1 Decimation sinc filter

In Eq. (2), the output of the $\Sigma\Delta$ modulator is decimated and converted to a parallel value by two third-order sinc filters; the first with a decimation ratio of 24 and the second with a decimation ratio of 4.

$$H(Z) = \left(\frac{1}{24^3}\right) \times \left(\frac{1 - Z^{-24}}{1 - Z^{-1}}\right)^3 \quad H(Z) = \left(\frac{1}{4^3}\right) \times \left(\frac{1 - Z^{-4}}{1 - Z^{-1}}\right)^3 \quad (2)$$

Figure 7. Sinc filter response



4.3.3.2 Signal trim and compensation

The device includes digital trim to compensate for sensor offset, sensitivity, and nonlinearity over temperature.

4.3.3.3 Low-pass filter

Data from the sinc filter is processed by an infinite impulse response (IIR) low-pass filter with the transfer function and coefficients shown in Eq. (3).

$$H(Z) = a_0 \times \frac{(n_{11} \times z^0) + (n_{12} \times z^{-1}) + (n_{13} \times z^{-2})}{(d_{11} \times z^0) + (d_{12} \times z^{-1}) + (d_{13} \times z^{-2})} \times \frac{(n_{21} \times z^0) + (n_{22} \times z^{-1}) + (n_{23} \times z^{-2})}{(d_{21} \times z^0) + (d_{22} \times z^{-1}) + (d_{23} \times z^{-2})} \quad (3)$$

Table 6. IIR low pass filter coefficients

Filter number	Typical -3 dB frequency	Filter order	Filter coefficients (24 bit)			Group delay (μs)	Typical attenuation @ 1000 Hz (dB)	
1	800 Hz	4	a ₀	0.088642612609670	—	—	418	4.95
			n ₁₁	0.029638050039039	d ₁₁	1		
			n ₁₂	0.087543281056143	d ₁₂	-1.422792640957290		

Filter number	Typical -3 dB frequency	Filter order	Filter coefficients (24 bit)				Group delay (µs)	Typical attenuation @ 1000 Hz (dB)
1	800 Hz	4	n ₁₃	0.029695285913601	d ₁₃	0.511435253566960	418	4.95
			n ₂₁	0.250241278804809	d ₂₁	1		
			n ₂₂	0.499999767379068	d ₂₂	-1.503329908017845		
			n ₂₃	0.249758953816089	d ₂₃	0.621996524706640		
2	1000 Hz	4	a ₀	0.129604264748411	—	—	333	2.99
			n ₁₁	0.043719804402508	d ₁₁	1		
			n ₁₂	0.087543281056143	d ₁₂	-1.300502656562698		
			n ₁₃	0.043823599710731	d ₁₃	0.430106921311110		
			n ₂₁	0.250296586927511	d ₂₁	1		
			n ₂₂	0.499999648540934	d ₂₂	-1.379959571988366		
			n ₂₃	0.249703764531484	d ₂₃	0.555046257157745		

Figure 8. 800 Hz, 4-pole, low-pass filter response

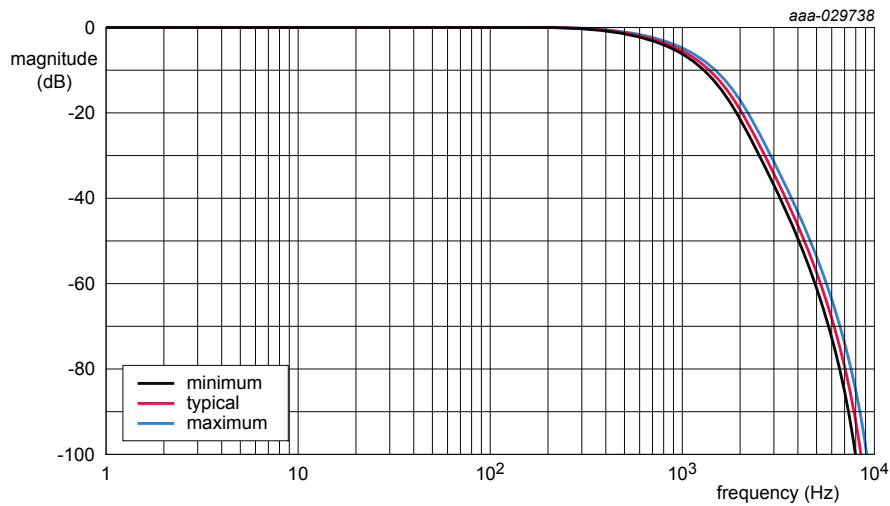


Figure 9. 800 Hz, 4-pole output signal delay

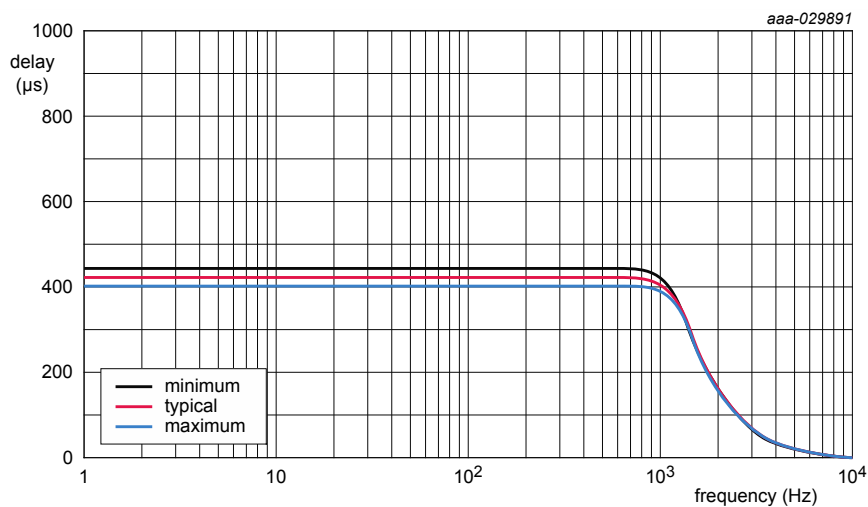


Figure 10. 1000 Hz, 4-pole, low-pass filter response

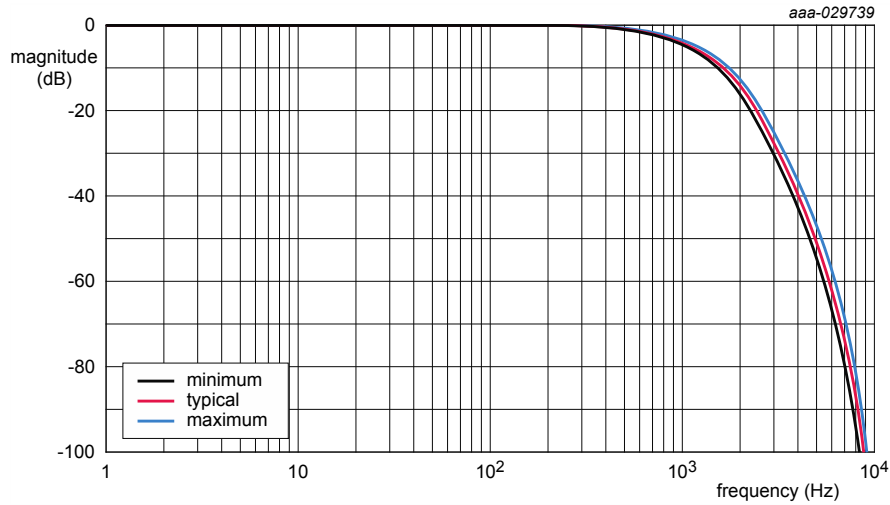
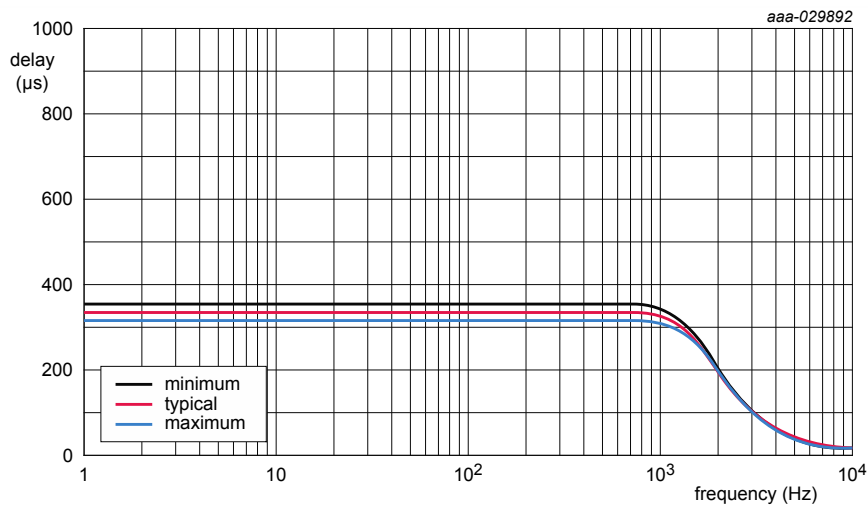


Figure 11. 1000 Hz, 4-pole output signal delay



4.3.3.4 Absolute pressure output data scaling equation

Eq. (4) is used to convert absolute pressure readings with the variables as specified in Table 7. Scaling parameters. Note, the specified values apply only if the P_CAL_ZERO value is set to 0000h.

$$PABS_{kPa} = \frac{PABS_{LSB} - PABS_{OFF_{LSB}}}{PABS_{SENSE}} \quad (4)$$

Where:

$PABS_{kPa}$ = The absolute pressure output in kPa.

$PABS_{LSB}$ = The absolute pressure output in LSB.

$PABS_{OFF_{LSB}}$ = The internal trimmed absolute pressure output value at 0 kPa in LSB.

$PABS_{SENSE}$ = The trimmed absolute pressure sensitivity in LSB/kPa.

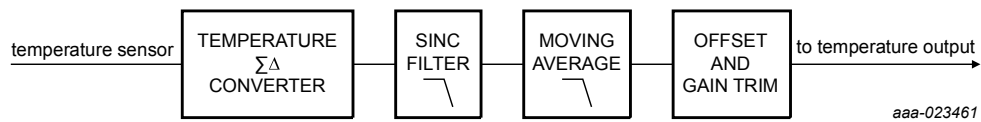
Table 7. Scaling parameters

Range	Data reading	PABSO _{ff,LSB} (LSB)	PABS _{SENSE} (LSB/kPa)
60 kPa - 165 kPa	12-bit sensor data requestSection 4.3.3.4: Absolute pressure output data scaling equation	-1866.15	33.31
	16-bit register/data read 62h and 63h	24939.7	66.62
	Interrupt threshold registers 46h to 49h	24939.7	66.62
	16-bit sensor data requestSection 4.3.3.4: Absolute pressure output data scaling equation	-29858.4	532.96

4.3.4 Temperature sensor

4.3.4.1 Temperature sensor signal chain

The device includes a temperature sensor for signal compensation and user readability. Figure 12. Temperature sensor signal chain block diagram shows a simplified block diagram. Temperature sensor parameters are specified in Table 104. Static characteristics and Table 105. Dynamic characteristics .

Figure 12. Temperature sensor signal chain block diagram


4.3.4.2 Temperature sensor output scaling equation

Eq. (5) is used to convert temperature readings with the variables specified in Table 8. Temperature conversion variables.

$$T_{DEGC} = \frac{T_{LSB} - T_{0_{LSB}}}{T_{SENSE}} \quad (5)$$

Where:

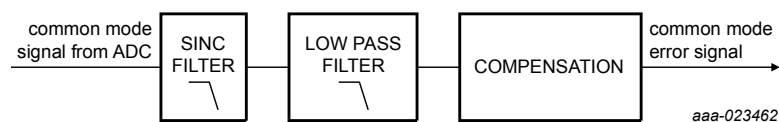
- T_{DEGC} = The temperature output in degrees C
- T_{LSB} = The temperature output in LSB
- T_{0_{LSB}} = The expected temperature output in LSB at 0 °C
- T_{SENSE} = The expected temperature sensitivity in LSB/°C

Table 8. Temperature conversion variables

Data reading	T _{0_{LSB}} (LSB)	T _{SENSE} LSB/C)
8-bit register read	68	1
16-bit register read	17408	256

4.3.5 Common mode error detection signal chain

The device includes a continuous pressure transducer common mode error detection. A simplified block diagram is shown in Figure 13. Common mode error detection signal chain block diagram. The common mode error signal is compared against the normal absolute pressure signal. If the comparison falls outside pre-determined limits, the CM_ERROR bit in the DSP_STAT register is set. Once the error condition is removed, the CM_ERROR bit is cleared as specified in Section 4.7.15.

Figure 13. Common mode error detection signal chain block diagram


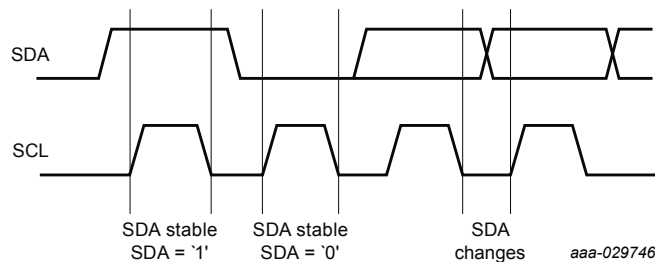
4.4 Inter-integrated circuit (I²C) interface

The device includes an interface compliant to the NXP I²C-bus specification [4]. The device operates in client mode and includes support for standard mode, fast mode, and fast mode plus, although the maximum practical operating frequency for I²C in a given system implementation depends on several factors including the pull-up resistor values and the total bus capacitance.

4.4.1 I²C bit transmissions

The state of SDA when SCL is high determines the bit value being transmitted. SDA must be stable when SCL is high and change when SCL is low as shown in Figure 14. I²C bit transmissions. After the START signal has been transmitted by the host, the bus is considered busy. Timing for the start condition is specified in Table 105. [Dynamic characteristics](#) .

Figure 14. I²C bit transmissions

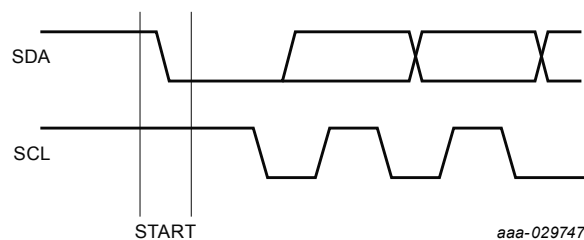


4.4.2 I²C start condition

A bus operation is always started with a start condition (START) from the host. A START is defined as a high to low transition on SDA while SCL is high as shown in Figure 15. I²C start condition. After the START signal has been transmitted by the host, the bus is considered busy. Timing for the start condition is specified in Table 105. [Dynamic characteristics](#) .

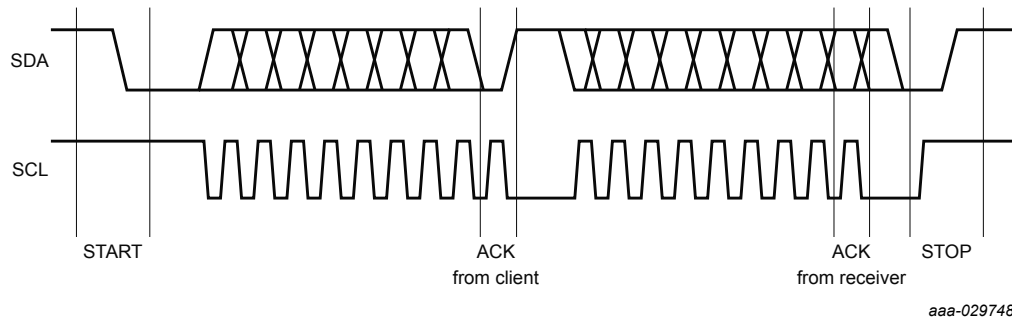
A start condition (START) and a repeat START condition (rSTART) are identical.

Figure 15. I²C start condition



4.4.3 I²C byte transmission

Data transfers are completed in byte increments. The number of bytes that can be transmitted per transfer is unrestricted. Each byte must be followed by an acknowledge bit (Section 4.4.4) from the receiver. Data is transferred with the most significant bit (MSB) first (see Figure 16. I²C byte transmissions). The host generates all clock pulses, including the ninth clock for the acknowledge bit. Timing for the byte transmissions is specified in Section 4.4.4. All functions for this device are completed within the acknowledge clock pulse. Clock stretching is not used.

Figure 16. I²C byte transmissions


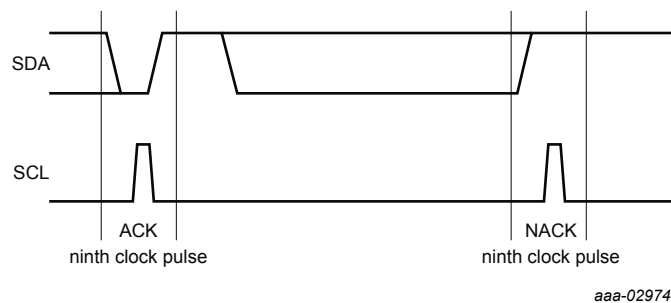
4.4.4 I²C acknowledge and not acknowledge transmissions

Each byte must be followed by an acknowledge bit (ACK) from the receiver. For an ACK, the transmitter releases SDA during the acknowledge clock pulse and the receiver pulls SDA low during the high portion of the clock pulse. Set up and hold times as specified in [Table 105](#). [Dynamic characteristics](#) must also be taken into account. For a not acknowledge bit (NACK), SDA remains high during the entire acknowledge clock pulse. Five conditions lead to a NACK:

1. No receiver is present on the bus with the transmitted address.
2. The addressed receiver is unable to receive or transmit because it is performing some real-time function and is not ready to start communication with the host.
3. The receiver receives unrecognized data or commands.
4. The receiver cannot receive any more data bytes.
5. The host-receiver signals the end of the transfer to the client transmitter.

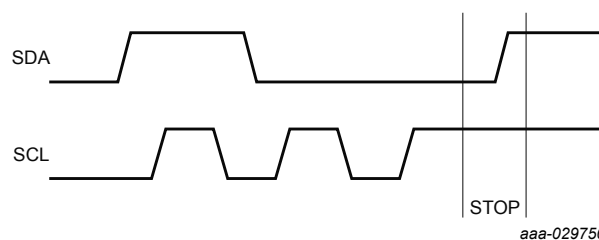
Following a NACK, the host can transmit either a STOP to terminate the transfer, or a repeated START to initiate a new transfer.

An example ACK and NACK are shown in [Figure 17](#). [I²C acknowledge and not acknowledge transmission](#).

Figure 17. I²C acknowledge and not acknowledge transmission


4.4.5 I²C stop condition

A bus operation is always terminated with a stop condition (STOP) from the host. A STOP is defined as a low to high transition on SDA while SCL is high as shown in [Figure 18](#). [I²C stop condition](#). After the STOP has been transmitted by the host, the bus is considered free. Timing for the stop condition is specified in [Table 105](#). [Dynamic characteristics](#).

Figure 18. I²C stop condition


4.4.6 I²C register transfers

4.4.6.1 Register write transfers

The device supports I²C register write data transfers. Register write data transfers are constructed as follows:

1. The host transmits a START condition.
2. The host transmits the 7-bit client address.
3. The host transmits a '0' for the read/write bit to indicate a write operation.
4. The client transmits an ACK.
5. The host transmits the register address to be written.
6. The client transmits an ACK.
7. The host transmits the data byte to be written to the register address.
8. The client transmits an ACK.
9. The host transmits a STOP condition.



Host transmission

Client transmission

aaa-029920

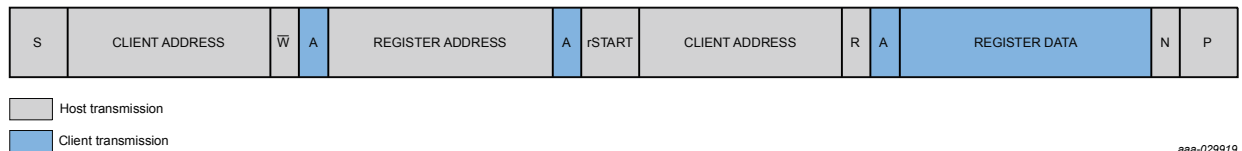
The device automatically increments the register address allowing for multiple register writes to be completed in one transaction. In this case, the register write data transfers are constructed as follows:

1. The host transmits a START condition.
2. The host transmits the 7-bit client address.
3. The host transmits a '0' for the read/write bit to indicate a write operation.
4. The client transmits an ACK.
5. The host transmits the register address to be written.
6. The client transmits an ACK.
7. The host transmits the data byte to be written to the register address.
8. The client transmits an ACK.
9. The host transmits the data byte to be written to the register address +1.
10. The client transmits an ACK.
11. Repeat steps 9 and 10 until all registers are written.
12. The host transmits a STOP condition.

4.4.6.2 Register read transfers

The device supports I²C register read data transfers. Register read data transfers are constructed as follows:

1. The host transmits a START condition.
2. The host transmits the 7-bit client address.
3. The host transmits a '0' for the read/write bit to indicate a write operation.
4. The client transmits an ACK.
5. The host transmits the register address to be read.
6. The client transmits an ACK.
7. The host transmits a repeat START condition.
8. The host transmits the 7-bit client address.
9. The host transmits a '1' for the read/write bit to indicate a read operation.
10. The client transmits an ACK.
11. The client transmits the data from the register addressed.
12. The host transmits a NACK.
13. The host transmits a STOP condition.



aaa-029919

4.4.6.3 Sensor data register read wrap around

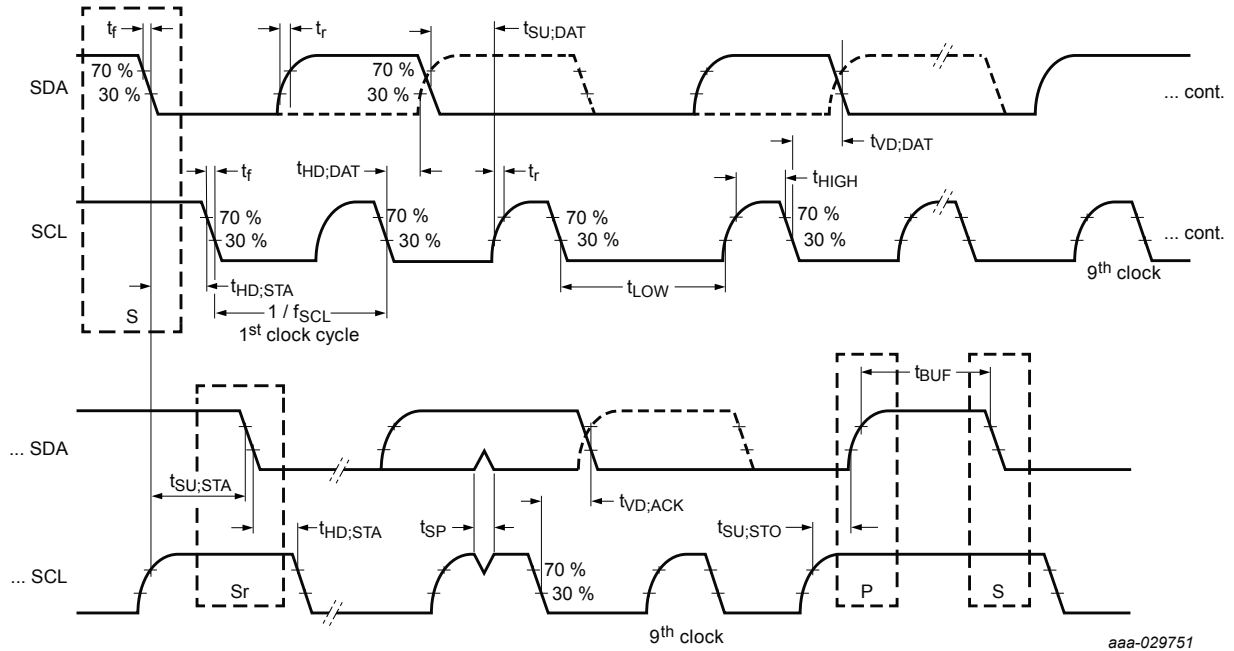
The device includes automatic sensor data register read wrap-around features to optimize the number of I²C transactions necessary for continuous reads of sensor data. Depending on the state of the SID_x_EN bits in the SOURCEID_0 and SOURCEID_1 registers, the register address automatically wraps back to the DEVSTAT_COPY register as shown in [Table 9. Sensor data register read wrap-around description](#).

Table 9. Sensor data register read wrap-around description

SID1_EN	SID0_EN	Address increment and wrap-around effect	Optimized register-read sequence
0	0	Address wraps around from FFh to 00h	None
0	1	Address wraps from 63h (SNSDATA0_H) to 61h (DEVSTAT_COPY)	DEVSTAT_COPY, SNSDATA0_L, SNSDATA0_H
1	0	Address wraps from 65h (SNSDATA1_H) to 61h (DEVSTAT_COPY)	DEVSTAT_COPY, SNSDATA0_L, SNSDATA0_H, SNSDATA1_L, SNSDATA1_H
1	1	Address wraps from 69h (SNSDATA0_TIME3) to 61h (DEVSTAT_COPY)	DEVSTAT_COPY, SNSDATA0_L, SNSDATA0_H, SNSDATA1_L, SNSDATA1_H, SNSDATA0_TIME0, SNSDATA0_TIME1, SNSDATA0_TIME2, SNSDATA0_TIME3

4.4.7 I²C timing diagram

Figure 19. I²C timing diagram

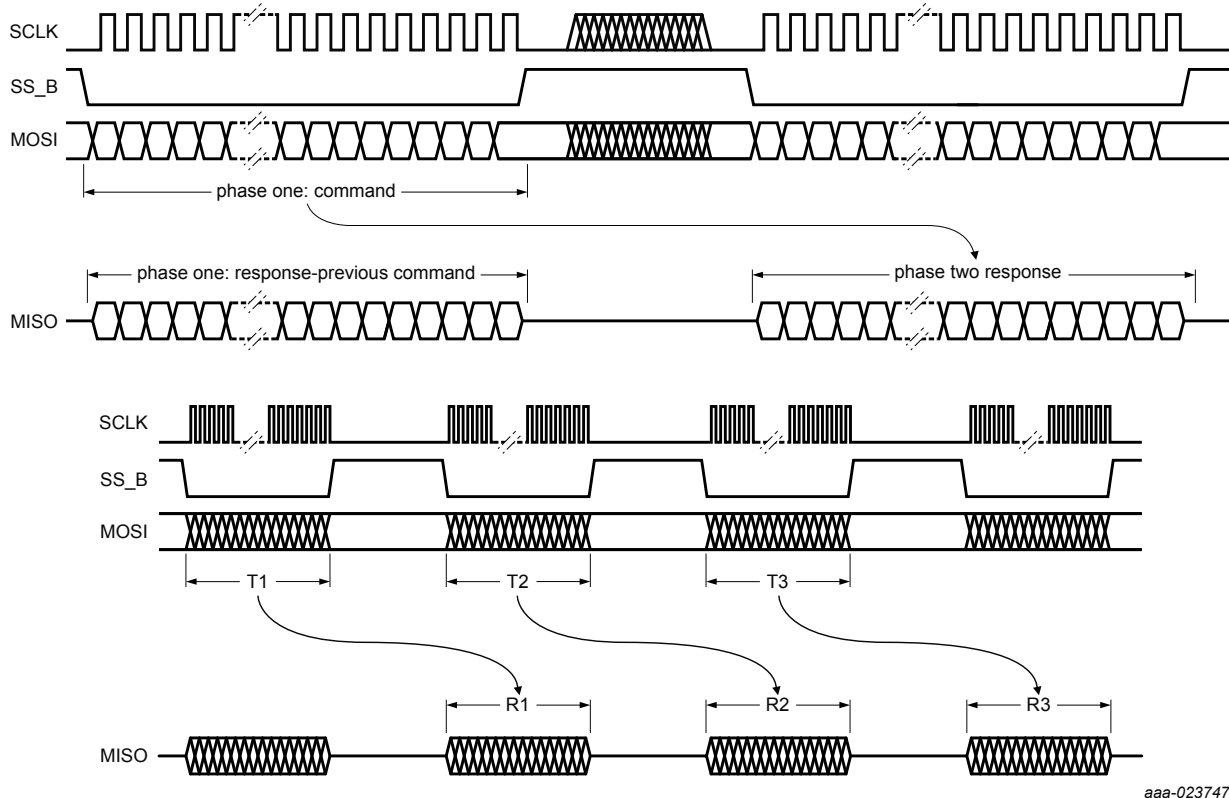


aaa-029751

4.5 Standard 32-bit SPI protocol

The device includes a standard SPI protocol requiring 32-bit data packets. The device is a client device and requires a low base clock value (CPOL = 0) with data captured on the rising edge of the clock and data propagated on the falling edge of the clock (CPHA = 0). The most significant bit is transferred first (MSB first). SPI transfers are completed through a sequence of two phases. During the first phase, the command is transmitted from the SPI host to the device. During the second phase, response data is transmitted from the client device. MOSI and SCLK transitions are ignored when SS_B is not asserted.

Figure 20. Standard 32 Bit SPI protocol timing diagram



aaa-023747

4.5.2 SPI response format

Table 12. SPI response format

MSB: bit 31; LSB: bit 0

31	30	29	28	27	26	25	24	23	22	21	20	19	18	17	16	15	14	13	12	11	10	9	8	7	6	5	4	3	2	1	0
Response to Register Request																															
Command			Basic Status		Unused Data 0h		Register data: contents of RA[7:1] high byte								Register data: contents of RA[7:1] low byte								8-bit CRC								
C[0], [3:1]			ST[1:0]		0 0		RD[15:8]								RD[7:0]								CRC[7:0]								
Response to Sensor Data Request																															
Command			Basic Status		Sensor Data															Detail Status		8-bit CRC									
C[0], [3:1]			ST[1:0]		SD[11:0]											Optional SD resolution				SF[1:0]		CRC[7:0]									
Error Response to Register Request																															
Command			Basic Status		Unused Data = 0000h															Detail Status		8-bit CRC									
C[0], [3:1]			1 1		0 0															SF[1:0]		CRC[7:0]									
Error Response to Sensor Data Request With Sensor Data																															
Command			Basic Status		Sensor Data															Detail Status		8-bit CRC									
C[0], [3:1]			1 1		SD[11:0]											Optional SD resolution				SF[1:0]		CRC[7:0]									
Error Response to Sensor Data Request Without Sensor Data																															
Command			Basic Status		x	Unused Data = 0000h															Detail Status		8-bit CRC								
0 0 0 0			1 1		x	0 0															SF[1:0]		CRC[7:0]								

4.5.3 Command summary

4.5.3.1 Register read command

The device supports a register read command. The register read command uses the upper 7 bits of the addresses defined in Section 4.6 to address 8-bit registers in the register map.

The response to a register read command is shown in Section 4.5.3.1.2. The response is transmitted on the next SPI message if and only if all of the following conditions are met:

- No SPI error is detected (see Section 4.5.5.3)
- No MISO error is detected (see Section 4.5.5.4)

If these conditions are met, the device responds to the register read request as shown in Section 4.5.3.1.2. Otherwise, the device responds with the error response as defined in Section 4.5.5.2. The register read response includes the register contents at the rising edge of SS_B for the register read command.

4.5.3.1.1 Register read command message format

Table 13. Register read command message format

MSB: bit 31; LSB: bit 0

31	30	29	28	27	26	25	24	23	22	21	20	19	18	17	16	15	14	13	12	11	10	9	8	7	6	5	4	3	2	1	0								
Register access command																																							
Command C[3:0]				Fixed bits: must = 0h				Register address								Register data								8-bit CRC															
1	1	0	0	0	0	0	0	RA[7:1]								RA[0]								0	0	0	0	0	0	0	0	0	0	0	0	0	0	0	0

Table 14. Register read command message bit field descriptions

Bit field	Definition
C[3:0]	Register read command = '1100'
RA[7:0]	RA[7:1] contains the word address of the register to be read.
CRC[7:0]	Read CRC Section

4.5.3.1.2 Register read response message format

Table 15. Register read response message format

MSB: bit 31; LSB: bit 0

31	30	29	28	27	26	25	24	23	22	21	20	19	18	17	16	15	14	13	12	11	10	9	8	7	6	5	4	3	2	1	0
Register access command																															
Command C[0], [3:1]				Basic Status		Unused Data 0h		Register data: contents of RA[7:1] high byte								Register data: contents of RA[7:1] low byte								8-bit CRC							
0	1	1	0	ST[1:0]		0	0	RD[15:8]								RD[7:0]								CRC[7:0]							

Table 16. Register read response message bit field descriptions

Bit field	Definition
C[0], [3:1]	Register Read Command = '0110'
ST[1:0]	Status
RD[15:8]	The contents of the register addressed by RA[7:1] high byte (RA[0] = 1)
RD[7:0]	The contents of the register addressed by RA[7:1] low byte (RA[0] = 0)
CRC[7:0]	8-bit CRC

4.5.3.2 Register write command

The device supports a register write command. The register write command writes the value specified in RD[7:0] to the register addressed by RA[7:0].

The response to a register write command is shown in [Section 4.5.3.2.2](#). The register write is executed and a response is transmitted on the next SPI message if and only if all of the following conditions are met:

- No SPI error is detected (see [Section 4.5.5.3](#))
- No MISO error is detected (see [Section 4.5.5.4](#))
- The ENDINIT bit is cleared.
 - This applies to all registers except for the RESET[1:0] bits in the DEVLOCK_WR register
- No invalid register request is detected as described below.

If these conditions are met, the register write is executed and the device responds to the register write request as shown in [Section 4.5.3.2.2](#). Otherwise, no register is written and the device responds with the error response as defined in [Section 4.5.2](#). The register is not written until the transfer during which the register write was requested has been completed.

A register write command to a read-only register is not executable, but results in a valid response.

4.5.3.2.1 Register write command message format

Table 17. Register write command message format

MSB: bit 31; LSB: bit 0

31	30	29	28	27	26	25	24	23	22	21	20	19	18	17	16	15	14	13	12	11	10	9	8	7	6	5	4	3	2	1	0								
Register access command																																							
Command C[3:0]				Fixed bits: must = 0h				Register address								Register data								8-bit CRC															
1	0	0	0	0	0	0	0	RA[7:1]								RA[0]								RD[7:0]								CRC[7:0]							

Table 18. Register write command message bit field descriptions

Bit field	Definition
C[3:0]	Register write command = '1000'
RA[7:0]	RA[7:1] contains the byte address of the register to be written
RD[7:0]	RD[7:0] contains the data byte to be written to address RA[7:0]
CRC[7:0]	8-bit CRC

4.5.3.2.2 Register write response message format

Table 19. Register write response message format

MSB: bit 31; LSB: bit 0

31	30	29	28	27	26	25	24	23	22	21	20	19	18	17	16	15	14	13	12	11	10	9	8	7	6	5	4	3	2	1	0
Register access command																															
Command C[0], [3:1]				Basic Status		Unused Data 0h		Register data: contents of RA[7:1] high byte								Register data: contents of RA[7:1] low byte								8-bit CRC							
0	1	0	0	ST[1:0]		0 0		RD[15:8]								RD[7:0]								CRC[7:0]							

Table 20. Register write response message bit field descriptions

Bit field	Definition
C[0], [3:1]	Register Read Command = '0100'
ST[1:0]	Status
RD[15:8]	The contents of the register addressed by RA[7:1] high byte (RA[0] = 1)
RD[7:0]	The contents of the register addressed by RA[7:1] low byte (RA[0] = 0)
CRC[7:0]	8-bit CRC

4.5.3.3 Sensor data request commands

The device supports standard sensor data request commands. The sensor data request command format is described in [Section 4.5.3.3.1](#). The response to a sensor data request is shown in [Section 4.5.3.3.2](#). The response is transmitted on the next SPI message subject to the error handling conditions specified in [Section 4.5.5](#). The sensor data included in the response is the sensor data at the falling edge of SS_B for the sensor data request response.

4.5.3.3.1 Sensor data request command message format

Table 21. Sensor data request command message format

MSB: bit 31; LSB: bit 0

31	30	29	28	27	26	25	24	23	22	21	20	19	18	17	16	15	14	13	12	11	10	9	8	7	6	5	4	3	2	1	0		
Command				Fixed bits: must = 0 0000h																8-bit CRC													
C[3:0]				0	0	0	0	0	0	0	0	0	0	0	0	0	0	0	0	0	0	0	0	0	0	CRC[7:0]							

Table 22. Sensor data request command message bit field descriptions

Bit field	Definition
C[0]	Sensor data request command = '1'
C[3:1] = SOURCEID[2:0]	Source identification code for the requested sensor data
CRC[7:0]	8-bit CRC

4.5.3.3.2 Sensor data request response message format

Table 23. Sensor data request response message format – 12 bit data length

MSB: bit 31; LSB: bit 0

31	30	29	28	27	26	25	24	23	22	21	20	19	18	17	16	15	14	13	12	11	10	9	8	7	6	5	4	3	2	1	0
Command		Basic Status		Sensor Data												Detail Status		8-bit CRC													
C[0], [3:1]		ST[1:0]		SD[11:0]								Optional SD resolution		SF[1:0]		CRC[7:0]															

Table 24. Sensor data request response message bit field descriptions

Bit field	Definition
C[0]	Sensor data request command = '1'
C[3:1] = SOURCEID[2:0]	Source identification code for the requested sensor data
ST[1:0]	Basic Status
SD[11:0]	Sensor data
Optional SD resolution	Optional for 16-bit Sensor data. Refer to Section 4.3.3.4: Absolute pressure output data scaling equation .
SF[1:0]	Detailed status
CRC[7:0]	8-bit CRC

4.5.3.4 Reserved commands

The device responds to reserved commands on the next SPI message subject to the error handling conditions specified in [Section 4.5.5](#).

4.5.3.4.1 Reserved command message format
Table 25. Reserved command message format

MSB: bit 31; LSB: bit 0

31	30	29	28	27	26	25	24	23	22	21	20	19	18	17	16	15	14	13	12	11	10	9	8	7	6	5	4	3	2	1	0
Command				x	x	x	x	x	x	x	x	x	x	x	x	x	x	x	x	x	x	x	x	8-bit CRC							
0	0	0	0	x	x	x	x	x	x	x	x	x	x	x	x	x	x	x	x	x	x	x	x	CRC[7:0]							
0	0	1	0	x	x	x	x	x	x	x	x	x	x	x	x	x	x	x	x	x	x	x	x	CRC[7:0]							
0	1	0	0	x	x	x	x	x	x	x	x	x	x	x	x	x	x	x	x	x	x	x	x	CRC[7:0]							
0	1	1	0	x	x	x	x	x	x	x	x	x	x	x	x	x	x	x	x	x	x	x	x	CRC[7:0]							
1	0	1	0	x	x	x	x	x	x	x	x	x	x	x	x	x	x	x	x	x	x	x	x	CRC[7:0]							
1	1	1	0	x	x	x	x	x	x	x	x	x	x	x	x	x	x	x	x	x	x	x	x	CRC[7:0]							

Table 26. Reserved command message bit field descriptions

Bit field	Definition
C[3:0]	Reserved command
CRC[7:0]	8-bit CRC

4.5.3.4.2 Reserved command response message format
Table 27. Reserved command response message format

MSB: bit 15; LSB: bit 0

31	30	29	28	27	26	25	24	23	22	21	20	19	18	17	16	15	14	13	12	11	10	9	8	7	6	5	4	3	2	1	0	
Command Echo				Data																		8-bit CRC										
x	x	x	x	x	x	x	x	x	x	x	x	x	x	x	x	x	x	x	x	x	x	x	x	x	CRC[7:0]							

Table 28. Reserved command response message bit field descriptions

Bit field	Definition
Command echo	Reserved command echo. Undefined
Data	Response data. Undefined
CRC[7:0]	8-bit CRC

4.5.4 Error checking

4.5.4.1 Default 8-bit CRC

4.5.4.1.1 Command error checking

The device calculates an 8-bit CRC on the entire 32 bits of each command. Message data is entered into the CRC calculator MSB first, consistent with the transmission order of the message. If the calculated CRC does not match the transmitted CRC, the command is ignored and the device responds with the SPI error response.

The CRC decoding procedure is as follows:

1. A seed value is preset into the LSB of the shift register.
2. Using a serial CRC calculation method, the receiver rotates the received message and CRC into the LSB of the shift register in the order received (MSB first).
3. When the calculation on the last bit of the CRC is rotated into the shift register, the shift register contains the CRC check result.
4. If the shift register contains all zeros, the CRC is correct.
5. If the shift register contains a value other than zero, the CRC is incorrect.

The CRC polynomial and seed are shown in [Table 29. SPI Command Message CRC](#).

Table 29. SPI Command Message CRC

SPICRCSEED[3:0]	Default Polynomial	Default non-direct Seed
0000	$x^8 + x^5 + x^3 + x^2 + x + 1$	1111 1111
non-zero	$x^8 + x^5 + x^3 + x^2 + x + 1$	1111 SPICRCSEED[3:0]

4.5.4.1.2 Response error checking

The device calculates a CRC on the entire 32 bits of each response. Message data is entered into the CRC calculator MSB first, consistent with the transmission order of the message.

The CRC encoding procedure is as follows:

1. A seed value is preset into the LSB of the shift register.
2. Using a serial CRC calculation method, the transmitter rotates the transmitted message and CRC into the LSB of the shift register (MSB first).
3. Following the transmitted message, the transmitter feeds 8 zeros into the shift register, to match the length of the CRC.
4. When the last zero is fed into the input adder, the shift register contains the CRC.
5. The CRC is transmitted.

The CRC polynomial and seed are shown in [Table 30. SPI Response Message CRC](#).

Table 30. SPI Response Message CRC

SPICRCSEED[3:0]	Default Polynomial	Default non-direct Seed
0000	$x^8 + x^5 + x^3 + x^2 + x + 1$	1111 1111
nonzero	$x^8 + x^5 + x^3 + x^2 + x + 1$	1111 SPICRCSEED[3:0]

4.5.5 Exception handling

After POR, there a supply error flag is set. Expected initial responses with first 4 commands are shown in Table 31. Expected initial responses after $t_{POR_DataValid}$ post POR.

Table 31. Expected initial responses after $t_{POR_DataValid}$ post POR

Command	Response
Command 1 (DEVSTAT READ)	Ignore response 1
Command 2 (DEVSTAT READ)	Ignore response 2
Command 3 (DEVSTAT READ)	Ignore response 3
Command 4 (ANY USER COMMAND)	Response 4 - 0X6080XXXX ⁽¹⁾

1. Response 4 is 0x6080XXXX after $t_{POR_DataValid}$ wait time from POR. Otherwise only after t_{POR_I2C/POR_SPI} wait time from POR, response would be 0x6081XXXX due to DEVINIT bit still set to 1.

Before soft reset, write SOURCEID_0 in address 1Ah with a non-zero value. Address 1Ah is read back to check soft reset sanity.

During soft reset, flash contents are reloaded into the mirror registers and during this process the supply error flag can get set based on device variation, temperature, and so forth. After 1 ms delay, the expected initial response from the first 5 commands are shown in Table 32. Expected initial responses after $t_{POR_DataValid}$ post soft reset.

Table 32. Expected initial responses after $t_{POR_DataValid}$ post soft reset

Command	Response
Command 1 (DEVSTAT READ)	Ignore response 1
Command 2 (DEVSTAT READ)	Ignore response 2
Command 3 (DEVSTAT READ)	Ignore response 3
Command 4 (SOURCEID_0 READ)	Response 4 - 0X6080XXXX ⁽¹⁾
Command 5 (ANY USER COMMAND)	Response 5 - valid response with reset value of SOURCEID_0

1. Response 4 is 0x6080XXXX after $t_{POR_DataValid}$ wait time from soft reset. Otherwise only after t_{POR_I2C/POR_SPI} wait time from soft reset, response 4 would be 0x6081XXXX due to DEVINIT bit still set to 1.

4.5.5.1 Basic status field

All responses include a status field (ST[1:0]) that includes the general status of the device and transmitted data as described below. The contents of the status field is a representation of the device status at the rising edge of SS_B for the previous SPI command.

Table 33. Basic status field for responses to register commands

ST[1:0]		Status	Description	SF[1:0]		Priority
0	0	Device in Initialization	Device in initialization (ENDINIT not set)	0	0	3
0	1	Normal Mode	Normal mode(ENDINIT set)	0	0	4
1	0	Self-test	Self-test(ST_CTRL[3:0] not equal to '0000')	0	0	2
1	1	Internal Error Present	Detailed Status Field	Detailed Status Field		1

4.5.5.2 Detailed status field

The response to sensor data requests includes a detailed status field (SF[1:0]). The contents of the detailed status field is a representation of the device status at the rising edge of SS_B for the previous SPI command.

Table 34. Detailed status bit field descriptions

SF[1:0]		Status Sources	DEVSTAT State
0	0	CM_ERROR Temperature error	Bit set in DSP_STAT Bit set in DEVSTAT2
0	1	User OTP memory error (UF2 or UF1) User R/W memory error (UF2) ST OTP Memory error	U_OTP_ERR set in DEVSTAT2 U_RW_ERR set in DEVSTAT2 F_OTP_ERR set in DEVSTAT2
1	0	Test Mode active Supply error Reset error	TESTMODE bit set in DEVSTAT Bit set in DEVSTAT1 DEVRES set
1	1	MISO error SPI error	Bit set in DEVSTAT3 N/A

4.5.5.3 SPI error

The following external SPI conditions result in a SPI error:

- SCLK is high when SS_B is asserted.
- The number of SCLK rising edges detected while SS_B is asserted is not equal to 16.
- SCLK is high when SS_B is deasserted.
- CRC error is detected (MOSI).
- A register write command to any register other than the DEVLOCK_WR register is received while ENDINIT is set.

If a SPI error is detected, the device responds with the error response as described in Section 4.5.5.2 with the detailed status field set to “SPI Error” as defined in Section 4.5.5.1.

4.5.5.4 SPI data output verification error

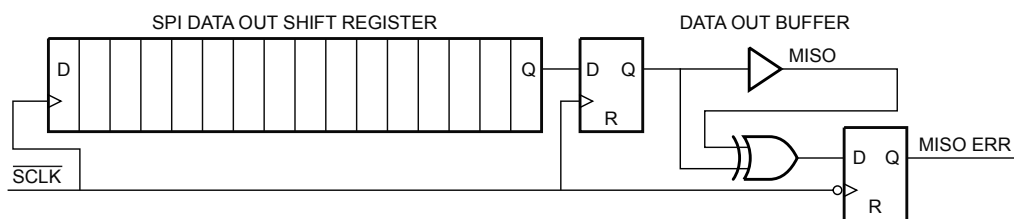
The device includes a function to verify the integrity of the data output to the MISO pin. The function compares the data transmitted on the MISO pin to the data intended to be transmitted. If any one bit does not match, a SPI MISO mismatch fault is detected and the MISO_ERR flag in the DEVSTAT2 register is set.

If a valid sensor data request message is received during the SPI transfer with the MISO mismatch failure, the request is ignored and the device responds with the error response as described in Section 4.5.5.2 with the detailed status field set to “SPI Error” as defined in Section 4.5.5.1 during the subsequent SPI message.

If a valid register write request message is received during the SPI transfer with the MISO mismatch failure, the register write is completed as requested, but the device responds with the error response as described in Section 4.5.5.2 with the detailed status field set to “SPI Error” as defined in Section 4.5.5.1 during the subsequent SPI message.

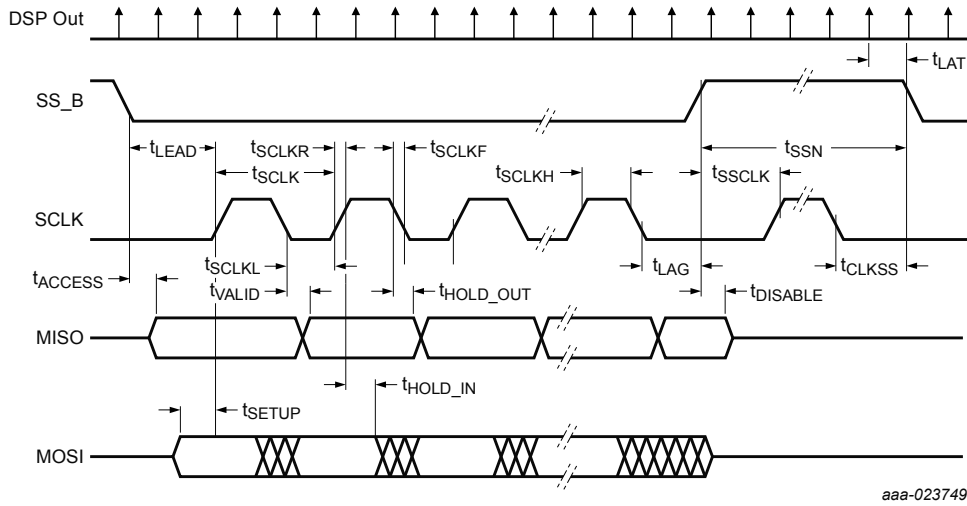
If a valid register read request message is received during the SPI transfer with the MISO mismatch failure, the register read is ignored and the device responds with the error response as described in Section 4.5.5.2 with the detailed status field set to “SPI Error” as defined in Section 4.5.5.1, during the subsequent SPI message.

Figure 21. SPI data output verification



aaa-023748

4.5.6 SPI timing diagram

Figure 22. SPI timing diagram


aaa-023749

4.6 User-accessible data array

A user-accessible data array allows each device to be customized. The array consists of a one time programmable (OTP) factory-programmable block, an OTP user-programmable block, and read-only registers for data and device status. The OTP blocks incorporate independent data verification. In order to perform the OTP, a custom platform is typically used prior to PCB assembly since the VPP voltage required is much higher than the nominal supply as shown in Table 103. [Electrical characteristics — supply and I/O](#). See application note AN12727 [3].

Table 35. User-accessible data — sensor specific information

Address	Register	Type (1)	Bit								
			7	6	5	4	3	2	1	0	
General device information											
00h	COUNT	R	COUNT[7:0]								
01h	DEVSTAT	R	DSP_ERR	reserved	COMM_ERR	MEMTEMP_ERR	SUPPLY_ERR	TESTMODE	DEVRES	DEVINIT	
02h	DEVSTAT1	R	VCCUV_ERR	reserved	reserved	reserved	INTREGA_ERR	INTREG_ERR	INTREGF_ERR	CONT_ERR	
03h	DEVSTAT2	R	F_OTP_ERR	U_OTP_ERR	U_RW_ERR	U_W_ACTIVE	reserved	TEMP0_ERR	reserved	reserved	
04h	DEVSTAT3	R	MISO_ERR	reserved	reserved	reserved	reserved	reserved	reserved	reserved	
05h to 0Dh	reserved	R	reserved								
0Eh	TEMPERATURE	R	TEMP[7:0]								
0Fh	reserved	R	reserved								
Communication information											
10h	DEVLOCK_WR	R/W	ENDINIT	reserved	reserved	reserved	SUP_ERR_DS	reserved	RESET[1:0]		
11h	WRITE_OTP_EN	R/W	UOTP_WR_INIT	reserved			EX_COMMTYPE	EX_PADDR	UOTP_REGION[1:0]		
12h to 13h	reserved	R/W	reserved								
14h	UF_REGION_W	R/W	REGION_LOAD[3:0]				0	0	0	0	
15h	UF_REGION_R	R	REGION_ACTIVE[3:0]				0	0	0	0	
16h to 19h	reserved	UF2	reserved								
1Ah	SOURCEID_0	UF2	SID0_EN	reserved			SOURCEID_0[3:0]				
1Bh	SOURCEID_1	UF2	SID1_EN	reserved			SOURCEID_1[3:0]				

Address	Register	Type (1)	Bit							
			7	6	5	4	3	2	1	0
1Ch to 3Ch	reserved	UF2	reserved							
3Dh	SPI_CFG	UF2	reserved	DATASIZE	SPI_CRC_LEN[1:0]		SPICRCSEED[3:0]			
3Eh	WHO_AM_I	UF2	WHO_AM_I[7:0]							
3Fh	I2C_ADDRESS	UF2	I2C_ADDRESS[7:0]							
Sensor specific information										
40h	DSP_CFG_U1	UF2	LPF[3:0]			reserved	reserved	reserved	reserved	
41h	reserved	UF2	reserved							
42h	DSP_CFG_U3	UF2	reserved	DATATYPE0[1:0]		reserved	DATATYPE1[1:0]		reserved	reserved
43h	DSP_CFG_U4	UF2	reserved	reserved	reserved	reserved	reserved	INT_OUT	reserved	reserved
44h	DSP_CFG_U5	UF2	ST_CTRL[3:0]				reserved	reserved	reserved	reserved
45h	INT_CFG	UF2	reserved	INT_PS[1:0]		INT_POLARITY	reserved			
46h	P_INT_HI_L	UF2	P_INT_HI_L[7:0]							
47h	P_INT_HI_H	UF2	P_INT_HI_H[15:8]							
48h	P_INT_LO_L	UF2	P_INT_LO_L[7:0]							
49h	P_INT_LO_H	UF2	P_INT_LO_H[15:8]							
4Ah to 4Bh	reserved	UF2	reserved							
4Ch	P_CAL_ZERO_L	UF2	P_CAL_ZERO_L[7:0]							
4Dh	P_CAL_ZERO_H	UF2	P_CAL_ZERO_H[15:8]							
4Eh to 5Eh	reserved	UF2	reserved							
5Fh	CRC_UF2	F	LOCK_UF2	0	0	0	CRC_UF2[3:0]			
60h	DSP_STAT	R	reserved				ST_INCMPLT	ST_ACTIVE	CM_ERROR	ST_ERROR
61h	DEVSTAT_COPY	R	DSP_ERR	reserved	COMM_ERR	MEMTEMP_ERR	SUPPLY_ERR	TESTMODE	DEVRES	DEVINT
62h	SNSDATA0_L	R	SNSDATA0_L[7:0]							
63h	SNSDATA0_H	R	SNSDATA0_H[15:8]							
64h (2)	SNSDATA1_L	R	SNSDATA1_L[7:0]							
65h (2)	SNSDATA1_H	R	SNSDATA1_H[15:8]							
66h	SNSDATA0_TIME0	R	SNSDATA0_TIME[7:0]							
67h	SNSDATA0_TIME1	R	SNSDATA0_TIME[15:8]							
68h	SNSDATA0_TIME2	R	SNSDATA0_TIME[23:16]							
69h	SNSDATA0_TIME3	R	SNSDATA0_TIME[31:24]							
6Ah	SNSDATA0_TIME4	R	SNSDATA0_TIME[39:32]							
6Bh	SNSDATA0_TIME5	R	SNSDATA0_TIME[47:40]							
6Ch	P_MAX_L	R	P_MAX[7:0]							
6Dh	P_MAX_H	R	P_MAX[15:8]							
6Eh	P_MIN_L	R	P_MIN[7:0]							
6Fh	P_MIN_H	R	P_MIN[15:8]							
70h to 77h	reserved	R	reserved							
78h	FRT0	R	FRT[7:0]							
79h	FRT1	R	FRT[15:8]							
7Ah	FRT2	R	FRT[23:16]							
7Bh	FRT3	R	FRT[31:24]							
7Ch	FRT4	R	FRT[39:32]							
7Dh	FRT5	R	FRT[47:40]							
7Eh to 9Fh	reserved	R	reserved							

Address	Register	Type (1)	Bit								
			7	6	5	4	3	2	1	0	
Sensor specific information - user readable registers with OTP											
A0h to AEh	reserved	F	reserved								
AFh	CRC_F_A	F	LOCK_F_A	REGA_BLOCKID[2:0]				CRC_F_A[3:0]			
B0h to BEh	reserved	F	reserved								
BFh	CRC_F_B	F	LOCK_F_B	REGB_BLOCKID[2:0]				CRC_F_B[3:0]			
Traceability Information											
C0h	ICTYPEID	F	ICTYPEID[7:0]								
C1h	ICREVID	F	ICREVID[7:0]								
C2h	ICMFGID	F	ICMFGID[7:0]								
C3h	reserved	F	reserved								
C4h	PN0	F	PN0[7:0]								
C5h	PN1	F	PN1[7:0]								
C6h	SN0	F	SN[7:0]								
C7h	SN1	F	SN[15:8]								
C8h	SN2	F	SN[23:16]								
C9h	SN3	F	SN[31:24]								
CAh	SN4	F	SN[39:32]								
CBh	ASICWFR#	F	ASICWFR#[7:0]								
CCh	ASICWFR_X	F	ASICWFR_X[7:0]								
CDh	ASICWFR_Y	F	ASICWFR_Y[7:0]								
CEh	reserved	F	reserved								
CFh	CRC_F_C	F	LOCK_F_C	REGC_BLOCKID[2:0]				CRC_F_C[3:0]			
D0h	ASICWLOT_L	F	ASICWLOT_L[7:0]								
D1h	ASICWLOT_H	F	ASICWLOT_H[7:0]								
D2h to DEh	reserved	F	reserved								
DFh	CRC_F_D	F	LOCK_F_D	REGD_BLOCKID[2:0]				CRC_F_D[3:0]			
E0h	USERDATA_0	UF0	USERDATA_0[7:0]								
E1h	USERDATA_1	UF0	USERDATA_1[7:0]								
E2h	USERDATA_2	UF0	USERDATA_2[7:0]								
E3h	USERDATA_3	UF0	USERDATA_3[7:0]								
E4h	USERDATA_4	UF0	USERDATA_4[7:0]								
E5h	USERDATA_5	UF0	USERDATA_5[7:0]								
E6h	USERDATA_6	UF0	USERDATA_6[7:0]								
E7h	USERDATA_7	UF0	USERDATA_7[7:0]								
E8h	USERDATA_8	UF0	USERDATA_8[7:0]								
E9h	USERDATA_9	UF0	USERDATA_9[7:0]								
EAh	USERDATA_A	UF0	USERDATA_A[7:0]								
EBh	USERDATA_B	UF0	USERDATA_B[7:0]								
ECh	USERDATA_C	UF0	USERDATA_C[7:0]								
EDh	USERDATA_D	UF0	USERDATA_D[7:0]								
EEh	USERDATA_E	UF0	USERDATA_E[7:0]								
EFh	CRC_UF0	F	LOCK_UF0	REGE_BLOCKID[2:0]				CRC_UF0[3:0]			
F0h	USERDATA_10	UF1	USERDATA_10[7:0]								
F1h	USERDATA_11	UF1	USERDATA_11[7:0]								
F2h	USERDATA_12	UF1	USERDATA_12[7:0]								
F3h	USERDATA_13	UF1	USERDATA_13[7:0]								
F4h	USERDATA_14	UF1	USERDATA_14[7:0]								
F5h	USERDATA_15	UF1	USERDATA_15[7:0]								

Address	Register	Type (1)	Bit							
			7	6	5	4	3	2	1	0
F6h	USERDATA_16	UF1	USERDATA_16[7:0]							
F7h	USERDATA_17	UF1	USERDATA_17[7:0]							
F8h	USERDATA_18	UF1	USERDATA_18[7:0]							
F9h	USERDATA_19	UF1	USERDATA_19[7:0]							
FAh	USERDATA_1A	UF1	USERDATA_1A[7:0]							
FBh	USERDATA_1B	UF1	USERDATA_1B[7:0]							
FCh	USERDATA_1C	UF1	USERDATA_1C[7:0]							
FDh	USERDATA_1D	UF1	USERDATA_1D[7:0]							
FEh	USERDATA_1E	UF1	USERDATA_1E[7:0]							
FFh	CRC_UF1	F	LOCK_UF1	REGF_BLOCKID[2:0]			CRC_UF1[3:0]			

1. Memory type codes

R — Readable register with no OTP

F — User readable register with OTP

UF2 — One time user programmable OTP location region 2

2. Useful for I²C read wrap around mode to support temperature data. See [Table 9](#) and [Table 67](#).

4.7 Register information

4.7.1 COUNT - rolling counter register (address 00h)

The count register is a read-only register that provides the current value of a free-running 8-bit counter derived from the primary oscillator. A 10-bit prescaler divides the primary oscillator frequency by 1000. Therefore, the value in the register increases by one count every 100 μs and the counter rolls over every 25.6 ms.

Table 36. COUNT - rolling counter register (address 00h) bit allocation

Bit	7	6	5	4	3	2	1	0
Symbol	COUNT[7:0]							
Reset	0	0	0	0	0	0	0	0
Access	R	R	R	R	R	R	R	R

4.7.2 Device status registers

The device status registers are read-only registers that contain device status information. These registers are readable in SPI or I²C mode.

4.7.2.1 DEVSTAT - device status register (address 01h)

Table 37. DEVSTAT - device status register (address 01h) bit allocation

Bit	7	6	5	4	3	2	1	0
Symbol	DSP_ERR	reserved	COMM_ER R	MEMTEMP _ERR	SUPPLY_E RR	TESTMOD E	DEVRES	DEVINIT
Reset	1	reserved	0	0	x	0	1	1
Access	R	R	R	R	R	R	R	R

Table 38. DEVSTAT - device status register (address 01h) bit description

Bit	Symbol	Description
7	DSP_ERR	The DSP error flag is set if a DSP-specific error is present in the pressure signal DSP: $DSP_ERR = DSP_STAT[ST_INCMPLT] DSP_STAT[CM_ERROR] DSP_STAT[ST_ERROR]$

Bit	Symbol	Description
5	COMM_ERR	The communication error flag is set if any bit in DEVSTAT3 is set: $COMM_ERR = MISO_ERR$
4	MEMTEMP_ERR	The memory error flag is set if any bit in DEVSTAT2 is set: $MEMTEMP_ERR = F_OTP_ERR U_OTP_ERR U_RW_ERR U_W_ACTIVE TEMPO_ERR$
3 ⁽¹⁾	SUPPLY_ERR	The supply error flag is set if any bit in DEVSTAT1 is set: $SUPPLY_ERR = VCCUV_ERR INTREG_ERR INTREGA_ERR INTREGF_ERR CONT_ERR$
2	TESTMODE	The test mode bit is set if the device is in test mode. The TESTMODE bit can be cleared by a test mode operation or by a power cycle. 0 — Test mode is not active 1 — Test mode is active
1	DEVRES	The device reset bit is set following a device reset. This error is cleared by a read of the DEVSTAT register through any communication interface or on a data transmission that includes the error in the status field. ⁽²⁾ 0 — Normal operation 1 — Device reset occurred
0	DEVINIT	The device initialization bit is set following a device reset. The bit is cleared once sensor data is valid for read through one of the device communication interfaces ($t_{POR_DataValid}$). 0 — Normal operation 1 — Device initialization in process

1. See Section 4.7.4 bit 3, supply error reporting disable bit (SUP_ERR_DIS).
2. After POR and/or soft reset, see Section 4.5.5 for initialization sequence.

4.7.2.2 DEVSTAT1 - device status register (address 02h)

Table 39. DEVSTAT1 - device status register (address 02h) bit allocation

Bit ⁽¹⁾ ⁽²⁾	7	6	5	4	3	2	1	0
Symbol	VCCUV_ERR	reserved	reserved	reserved	INTREGA_ERR	INTREG_ERR	INTREGF_ERR	CONT_ERR
Reset	x	x	x	x	x	x	x	0
Access	R	R	R	R	R	R	R	R

1. During POR and soft reset ignore DEVSTAT1 error flags, refer to Section 4.5.5.
2. A common timer is used for all error bits in the DEVSTAT1 register. If any supply error is present, the timer is reset to t_{UVOV_RCV} . This bit is cleared based on the state of the SUP_ERR_DIS bit in the DEVLOCK_WR register as shown in Section 4.7.4.

Table 40. DEVSTAT1 - device status register (address 02h) bit description

Bit ⁽¹⁾ ⁽²⁾	Symbol	Description
7	VCCUV_ERR	The V_{CC} undervoltage error bit is set if the V_{CC} voltage falls below the voltage specified in Table 104. See Section 4.1 for details on the V_{CC} undervoltage monitor. 0 — No error detected 1 — V_{CC} voltage low
3	INTREGA_ERR	The internal analog regulator voltage out-of-range error bit is set if the internal analog regulator voltage falls outside expected limits. 0 — No error detected 1 — Internal analog regulator voltage out of range

Bit ⁽¹⁾ ₍₂₎	Symbol	Description
2	INTREG_ERR	The internal digital regulator voltage out-of-range error bit is set if the internal digital regulator voltage falls outside expected limits. 0 — No error detected 1 — Internal digital regulator voltage out of range
1	INTREGF_ERR	The internal OTP regulator voltage out-of-range error bit is set if the internal OTP regulator voltage falls outside expected limits. 0 — No error detected 1 — Internal OTP regulator voltage out of range
0	CONT_ERR	The continuity monitor passes a low current through a connection around the perimeter of the device and monitors the continuity of the connection. The error bit is set if a discontinuity is detected in the connection. 0 — No error detected 1 — Error detected in the continuity of the edge seal monitor circuit

1. During POR and soft reset ignore DEVSTAT1 error flags, refer to [Section 4.5.5](#).
2. A common timer is used for all error bits in the DEVSTAT1 register. If any supply error is present, the timer is reset to t_{UVOV_RCV} . This bit is cleared based on the state of the SUP_ERR_DIS bit in the DEVLOCK_WR register as shown in [Section 4.7.4](#).

4.7.2.3 DEVSTAT2 - device status register (address 03h)

Table 41. DEVSTAT2 - device status register (address 03h) bit allocation

Bit	7	6	5	4	3	2	1	0
Symbol	F_OTP_ER R	U_OTP_ER R	U_RW_ERR	U_W_ACTIV E	reserved	TEMPO_ER R	reserved	reserved
Reset	0	0	0	0	reserved	0	reserved	reserved
Access	R	R	R	R	R	R	R	R

Table 42. DEVSTAT2 - device status register (address 03h) bit description

Bit	Symbol	Description
7	F_OTP_ERR	The ST factory OTP array error bit is set if a fault is detected in the factory OTP array. This error is cleared by a read of the DEVSTAT2 register through any communication interface or on a data transmission that includes the error in the status field. 0 — No error detected 1 — Error detected in the ST factory OTP array
6	U_OTP_ERR	The user OTP array error bit is set if a fault is detected in the user OTP array. This error is cleared by a read of the DEVSTAT2 register through any communication interface or on a data transmission that includes the error in the status field. 0 — No error detected 1 — Error detected in the user OTP array
5	U_RW_ERR	When ENDINIT is set, an error detection is enabled for all user writable registers. The error detection code is continuously calculated on the user writable registers and verified against a previously calculated error detection code. If a mismatch is detected in the error detection, the U_RW_ERR bit is set. This error is cleared by a read of the DEVSTAT2 register through any communication interface or on a data transmission that includes the error in the status field. 0 — No error detected 1 — Error detected in the user read/write array
4	U_W_ACTIVE	The user OTP write in process status bit is set if a user initiated write to OTP is in process. The U_W_ACTIVE bit is automatically cleared once the write to OTP is complete.

Bit	Symbol	Description
		0 — No OTP write in process 1 — OTP write in process
2	TEMP0_ERR	The temperature error bit is set if an overtemperature or undertemperature condition exists. This error is cleared by a read of the DEVSTAT2 register through any communication interface or on a data transmission that includes the error in the status field. 0 — No error detected 1 — Overtemperature or undertemperature error condition detected

4.7.2.4 DEVSTAT3 - device status register (address 04h)

Table 43. DEVSTAT3 - device status register (address 04h) bit allocation

Bit	7	6	5	4	3	2	1	0
Symbol	MISO_ERR	reserved	reserved	reserved	reserved	reserved	reserved	reserved
Reset	0	reserved	reserved	reserved	reserved	reserved	reserved	reserved
Access	R	R	R	R	R	R	R	R

Table 44. DEVSTAT3 - device status register (address 04h) bit description

Bit	Symbol	Description
7	MISO_ERR	In SPI mode, the MISO data mismatch flag is set when a MISO Data mismatch fault occurs. The MISO_ERROR bit is cleared by a read of the DEVSTAT3 register through any communication interface, or by a status transmission including the error status through the SPI. 0 — No error detected 1 — MISO data mismatch

4.7.3 TEMPERATURE - temperature register (address 0Eh)

The temperature register is a read-only register that provides a temperature value for the IC. The temperature value is specified in the temperature sensor signal chain section of [Table 104. Static characteristics](#).

Note: The device is only guaranteed to operate within the temperature limits specified in [Section 7](#).

Table 45. TEMPERATURE - temperature register (address 0Eh) bit allocation

Bit	7	6	5	4	3	2	1	0
Symbol	TEMP[7:0]							
Reset	0	0	0	0	0	0	0	0
Access	R	R	R	R	R	R	R	R

4.7.4 DEVLOCK_WR - lock register writes register (address 10h)

The lock register writes register is a read/write register that contains the ENDINIT bit and reset control bits.

Table 46. DEVLOCK_WR - lock register writes register (address 10h) bit allocation

Bit	7	6	5	4	3	2	1	0
Symbol	ENDINIT	reserved	reserved	reserved	SUP_ERR_DIS	reserved	RESET[1:0]	
Factory default	0	0	0	0	0	0	0	0
Access	R/W	R/W	R/W	R/W	R/W	R/W	R/W	R/W

Table 47. DEVLOCK_WR - lock register writes register (address 10h) bit description

Bit	Symbol	Description
7	ENDINIT	<p>The ENDINIT bit is a control bit used to indicate that the user has completed all device and system level initialization tests. Once the ENDINIT bit is set, writes to all writable register bits are inhibited except for the DEVLOCK_WR register. Once set, the ENDINIT bit can only be cleared by a device reset.</p> <p>When ENDINIT is set, the following occurs:</p> <ul style="list-style-type: none"> An error detection is enabled for all user writable registers. The error detection code is continuously calculated on the user writable registers and verified against a previously calculated error detection code. Self-test is disabled and inhibited. Register writes are inhibited except for the RESET[1:0] bits in the DEVLOCK_WR register.
3	SUP_ERR_DIS	<p>The supply error disable bit allows the user to disable reporting of the supply errors in the SPI status fields.</p> <p>In SPI Mode:</p> <ul style="list-style-type: none"> 0: No Response until the supply monitor timer expires. The Sensor Data Field Error Code is transmitted for one response after the supply monitor timer expires. All supply errors are cleared by a read of the DEVSTAT1 register through any communication interface or on a data transmission that includes the error in the status field if and only if the timer has reached zero. 1: No Responses occur if the timer is non-zero. The error is cleared when the timer reaches zero and normal transmissions resume. <p>In I²C Mode (0 or 1):</p> <ul style="list-style-type: none"> No response until the supply monitor timer expires. All supply errors are cleared by a read of the DEVSTAT1 register.
1 to 0	RESET[1:0]	To reset the device, three consecutive register write operations must be performed in the order shown in Table 48. Device reset command sequence , or the device will not reset. ⁽¹⁾

1. After POR and/or soft reset, see Section 4.5.5: Exception handling for initialization sequence.

Table 48. Device reset command sequence

Register write to DEVLOCK_WR	RESET[0]	RESET[1]	Effect
Register write 1	0	0	No effect
Register write 2	1	1	No effect
Register write 3	0	1	Device RESET

The response to a register write returns the new register value, including the values written to the RESET[1:0] bits. After the third register write command, the device initiates a reset and therefore does not transmit a response to this command or an acknowledge in I²C mode. The response to a register read returns '00' for RESET[1:0] and terminates the reset sequence. The reset control bits are not included in the read/write array error detection.

4.7.5 WRITE_OTP_EN – write OTP enable register (address 11h)

The write OTP enable register is a user programmed read/write register that allows the user to write the contents of the user programmed OTP array mirror registers to the OTP registers. This register is included in the user read/write array error detection.

This register is readable and writable in SPI and I²C modes.

Table 49. WRITE_OTP_EN – write OTP enable register – (address 11h) bit allocation

Bit	7	6	5	4	3	2	1	0
Name	UOTP_WR_INIT	Reserved	Reserved	Reserved	EX_COMMTYPE	EX_PADDR	UOTP_REGION[1:0]	
Access	R/W	R/W	R/W	v	R/W	R/W	R/W	R/W
Reset	0	0	0	0	0	0	0	0

Register writes executed by the user to the user programmed OTP array only update the mirror register contents for the OTP array, not the actual OTP registers. To copy the values to the actual OTP registers, a write must be executed to the WRITE_OTP_EN register with the UOTP_WR_INIT bit set. The state of the UOTP_REGION[1:0], the EX_COMMTYPE, and the EX_PADDR bits in the command determine which region of OTP is written to as shown in Table 50. Writes for OTP registers.

Table 50. Writes for OTP registers

EX_COMMTYPE	EX_PADDR	UOTP_REGION[1]	UOTP_REGION[0]	OTP write operation	Special conditions
x	x	0	0	Write the current contents of the UF0 registers to OTP	—
x	x	0	1	Write the current contents of the UF1 registers to OTP	—
0	0	1	0	Reserved for future use.	—
0	1	1	0	Reserved for future use.	—
1	0	1	0	Reserved for future use.	—
1	1	1	0	Write the current contents of the UF2 registers to OTP.	Excluding LPF. LPF defaults to 1000 Hz at POR.
x	x	1	1	Reserved for future use	—

The UF0 and UF1 user OTP regions as well as the ST programmed F OTP regions share common mirror registers. For this reason, writes to the OTP for each region must be completed independently according to the procedure below.

Once a region is written using the OTP Write sequence, the LOCK_Uxxx bit in the appropriate CRC_xxx register is automatically set, locking the array from future writes. Once a region is locked, an error detection is activated to detect changes to the register values. Register values in the UF2 region can be overwritten using register write commands, but no new values can be written to the OTP.

The procedure for writing to the user OTP array UF0 and UF1 regions is listed below:

1. Read the appropriate CRC_UFx register and confirm the LOCK_Uxx bit is not set.
2. Write the desired values to the user array registers for only the region to be written using the procedures in Section 4.7.6 .
The user must take care to ensure that the proper data is written to each region. If a register write is executed to a new region, the base address changes to the new region. The previous data written to the register block remains in the shared registers and is written to OTP if the Write OTP sequence is completed.
3. Execute a write to the WRITE_OTP_EN register with the appropriate bits set for the desired region to program.
Once the WRITE_OTP_EN register write is completed, a CRC is calculated for the data to be written to the region, the register values are written to OTP and the region is locked from future writes. The UOTP_WR_INIT bit remains set.
4. Delay 10 ms to allow the device to complete the writes to OTP.
5. Verify that the OTP write has successfully completed by reading back all of the OTP registers using register read commands as defined in Section 4.7.6.
6. Repeat steps 1 through 4 for all regions to be programmed.

The procedure for writing to the user OTP array UF2 region is listed below:

1. Read the CRC_UF2 register and confirm the LOCK_UF2 bit is not set.
2. Write the desired values to the user array registers.
3. Execute a write to the WRITE_OTP_EN register with region 2 selected and the EX_COMMTYPE and EX_PADDR bits set as shown in Table 50. Writes for OTP registers.
Once the WRITE_OTP_EN register write is completed, a CRC is calculated for the data to be written to the region, the register values are written to OTP and the region is locked from future writes. The UOTP_WR_INIT bit remains set.
4. Delay 10 ms to allow the device to complete the writes to OTP.
5. Verify that the OTP write successfully completed by reading back all of the OTP registers using register read commands.

4.7.6 UF_REGION_W, UF_REGION_R - UF region selection registers (address 14h, 15h)

The UF region load register is a user read/write register that contains the control bits for the UF0 and UF1 regions to be accessed. This register is included in the user read/write array error detection. The UF region active register is a read-only register that contains the status bits for the UF0 and UF1 regions to be accessed. This register is included in the user read/write array error detection.

The UF_REGION_W register is readable and writable in SPI mode or I²C mode. The UF_REGION_R register is readable in SPI mode or I²C mode.

Table 51. UF_REGION_W - UF region selection register (address 14h) bit allocation

Bit	7	6	5	4	3	2	1	0
Symbol	REGION_LOAD[3:0]				0	0	0	0
Factory default	1	1	1	0	0	0	0	0
Access	R/W	R/W	R/W	R/W	R/W	R/W	R/W	R/W

Table 52. UF_REGION_R - UF region selection register (address 15h) bit allocation

Bit	7	6	5	4	3	2	1	0
Symbol	REGION_ACTIVE[3:0]				0	0	0	0
Factory default	1	1	1	0	0	0	0	0
Access	R	R	R	R	R	R	R	R

The user OTP regions UF0, UF1, and F share a block of 16 registers. Prior to reading the registers via any communication interface, the user must ensure that the desired OTP registers are loaded into the readable registers. Below is the necessary procedure to ensure proper reading of the UF0, UF1, and F registers.

1. Write the desired address range to be read to the REGION_LOAD[3:0] bits in the UF_REGION_W register.

Table 53. REGION_LOAD Bit Definitions

REGION_LOAD[3:0]				OTP register addresses loaded into the readable registers
0	0	0	0	not applicable
0	0	0	1	not applicable
0010 through 1001				reserved
1	0	1	0	Address Range A0h through AFh
1	0	1	1	Address Range B0h through BFh
1	1	0	0	Address Range C0h through CFh
1	1	0	1	Address Range D0h through DFh
1	1	1	0	Address Range E0h through EFh
1	1	1	1	Address Range F0h through FFh

2. Add a delay of minimum 50 μ s.

- Optional: Execute a register read of the UF_REGION_R register and confirm the REGION_ACTIVE[3:0] bits match the values written to the REGION_LOAD[3:0] bits in the UF_REGION_W register.

Table 54. REGION_ACTIVE Bit Definitions

REGION_ACTIVE[3:0]				OTP register addresses loaded into the readable registers
0	0	0	0	Load of OTP registers is in process
0	0	0	1	The contents of the shared registers has been over-written by the user
0010 through 1001				not applicable
1	0	1	0	Address Range A0h through AFh
1	0	1	1	Address Range B0h through BFh
1	1	0	0	Address Range C0h through CFh
1	1	0	1	Address Range D0h through DFh
1	1	1	0	Address Range E0h through EFh
1	1	1	1	Address Range F0h through FFh

- Execute a Register Read of the desired registers from the UF0, UF1 or F register section. Complete all desired Register Reads of the selected UF Region.
- Repeat steps 1 through 4 for the next desired UF region to read.

Notes

- The user must take care to ensure that the desired registers are addressed. For example, if the REGION_LOAD bits are set to Ah and the user executes a read of address C2h, the contents of registers A2h is transmitted. No error detection is included other than a read of the REGION_ACTIVE bits.
- In SPI and I²C modes, once the ENDINIT bit is set, writes to registers other than the RESET[1:0] bits are inhibited. For this reason, reads of the UF0, UF1, and F registers are only possible for the region selected by the REGION_ACTIVE bits at the time ENDINIT is set.

4.7.7 SOURCEID_x - source identification registers (address 1Ah, 1Bh)

The source identification registers are user programmed read/write registers that contain the source identification information used in SPI Mode. These registers are included in the read/write array error detection.

Table 55. SOURCEID_0 - source identification register (address 1Ah) bit allocation

Bit	7	6	5	4	3	2	1	0
Symbol	SID0_EN	reserved	reserved	reserved	SOURCEID_0[3:0]			
Factory default	0	0	0	0	0	0	0	0
Access	R/W	R/W	R/W	R/W	R/W	R/W	R/W	R/W

Table 56. SOURCEID_1 - source identification register (address 1Bh) bit allocation

Bit	7	6	5	4	3	2	1	0
Symbol	SID1_EN	reserved	reserved	reserved	SOURCEID_1[3:0]			
Factory default	0	0	0	0	0	0	0	0
Access	R/W	R/W	R/W	R/W	R/W	R/W	R/W	R/W

4.7.7.1 Data source enable bits (SIDx_EN)

The SIDx_EN are control bits for both I²C and SPI modes. In I²C mode, they configure the automatic register read wrap-around feature to optimize the number of I²C transactions. See [Section 4.4.6.3: Sensor data register read wrap around](#) and [Table 9. Sensor data register read wrap-around description](#) for details.

In SPI mode, the SIDx_EN bits enable and map the data source (SNSDATA0, SNSDATA1) to the associated source identification as described in [Table 11. SPI command summary](#). Additionally, the SPI error response monitoring can be mapped to the SOURCEID_x channels. SPI error responses are detailed in [Section 4.5.4](#).

Table 57. Source ID enable

Source ID	Source ID Enable (SIDx_EN)	Transmitted data
SOURCEID_0	0	SPI error response
	1	SNSDATA0
SOURCEID_1	0	SPI error response
	1	SNSDATA1

In I²C mode, the SOURCEID_x registers are readable and writable but have no effect on the device. See [Table 11. SPI command summary](#), for details regarding the effect of the SIDx_EN bits.

4.7.8 SPI Configuration Control Register (SPI_CFG, Address 3Dh)

In SPI mode, the SPI configuration control register is a user programmed read/write register that contains the SPI protocol configuration information. This register is included in the read/write array error detection. This register is readable and writable in SPI mode or I²C mode

Table 58. SPI_CFG Register (address 3Dh) bit allocation

Bit	7	6	5	4	3	2	1	0
Symbol	reserved	DATASIZE	SPI_CRC_LEN[1:0]		SPICRCSEED[3:0]			
Factory default	0	0	0	0	0	0	0	0
Access	R/W	R/W	R/W	R/W	R/W	R/W	R/W	R/W

4.7.8.1 SPI Data Field Size (DATASIZE)

The SPI data field size bit controls the size of the SPI data field as shown in [Table 59. DATASIZE Bit Definition](#).

Table 59. DATASIZE Bit Definition

DATASIZE	SPI Data Field Size
0	12-Bits
1	16-Bits

4.7.8.2 SPI CRC Length and Seed Bits

The SPI_CRC_LEN[1:0] bits select the CRC length for SPI Mode as shown in the table below. The SPI CRC seed bits contain the seed used for the SPI Mode. The default SPI CRC is an 8-bit. When the SPI_CRC_LEN[1:0] bits are set to a non-zero value using a Register Write command, the SPI CRC changes as defined in the table. The new polynomial value is enabled for both MISO and MOSI on the next SPI Mode command. The default seed (SPICRCSEED[3:0] = 0h) is FFh for an 8-bit CRC. When the value is changed to a non-zero value using a Register Write command, the SPI CRC seed changes to the value programmed as shown in the table. The new seed value is enabled for both MISO and MOSI on the next SPI Mode command.

Table 60. SPI CRC Definition

SPI_CRC_LEN[1:0]		SPICRCSEED	CRC Polynomial	CRC Seed
0	0	0	$x^8 + x^5 + x^3 + x^2 + x + 1$	1111, 1111
0	0	non-zero	$x^8 + x^5 + x^3 + x^2 + x + 1$	0000, SPICRCSEED[3:0]
0	1	0	$x^4 + 1$	1010
0	1	non-zero	$x^4 + 1$	SPICRCSEED[3:0]
1	0	0	$x^3 + x + 1$	111
1	0	non-zero	$x^3 + x + 1$	SPICRCSEED[2:0]
1	1	0	$x^3 + x + 1$	111
1	1	non-zero	$x^3 + x + 1$	SPICRCSEED[2:0]

4.7.9 WHO_AM_I - who am I register (address 3Eh)

The WHO_AM_I register is a user programmed read/write register that contains the unique product identifier. This register is included in the read/write array error detection.

Table 61. WHO_AM_I - device identification register (address 3Eh) bit allocation

Bit	7	6	5	4	3	2	1	0
Symbol	WHO_AM_I[7:0]							
Factory default (stored value)	0	0	0	0	0	0	0	0
Factory default (read value)	1	1	0	0	0	1	0	0
Access	R/W	R/W	R/W	R/W	R/W	R/W	R/W	R/W

The default register value is 00h. If the register value is 00h, a value of C4h is transmitted in response to a read command. For all other register values, the actual register value is transmitted in response to a read command.

Table 62. WHO_AM_I register values

WHO_AM_I register value (hex)	Response to a register read command
00h	C4h
01h to FFh	Actual register value

4.7.10 I2C_ADDRESS - I²C client address register (address 3Fh)

The I²C client address register is a user programmed read/write register that contains the unique I²C client address. The register is readable in all modes. This register is included in the read/write array error detection.

Table 63. I2C_ADDRESS - I²C client address register (address 3Fh) bit allocation

Bit	7	6	5	4	3	2	1	0
Symbol	I2C_ADDRESS[7:0]							
Factory Default (stored value)	0	0	0	0	0	0	0	0
Factory Default (read value)	0	1	1	0	0	0	0	0
Access	R/W	R/W	R/W	R/W	R/W	R/W	R/W	R/W

The default register value is 00h. If the register value is 00h, the I²C client address is 60h and a value of 60h is transmitted in response to a read command. If the register is written to a value other than 00h, the I²C client address is the lower seven bits of the actual register value and the actual register value is transmitted in response to a read command.

4.7.11 DSP Configuration Registers (DSP_CFG_Ux)

The DSP Configuration registers (DSP_CFG_Ux) are a series of registers that affect the DSP data path. There are 4 DSP Configuration registers which are DSP_CFG_U1, DSP_CFG_U3, DSP_CFG_U4, and DSP_CFG_U5.

4.7.11.1 DSP_CFG_U1 - DSP user configuration #1 register (address 40h)

The DSP user configuration register #1 is a user programmable read/write register that contains DSP-specific configuration information. This register is included in the read/write array error detection.

Changes to this register reset the DSP data path. The contents of the SNSDATA_x registers are not guaranteed until the DSP has completed initialization as specified in [Table 105. Dynamic characteristics](#). Reads of the SNSDATA_x registers and sensor data requests should be prevented during this time.

Table 64. DSP_CFG_U1 - DSP user configuration #1 register (address 40h) bit allocation

Bit	7	6	5	4	3	2	1	0	
Symbol	LPF[3:0]			reserved		reserved		reserved	reserved
Factory default	0	0	1	1	0	0	0	0	

Bit	7	6	5	4	3	2	1	0
Access	R/W	R/W	R/W	R/W	R/W	R/W	R/W	R/W

Table 65. Low-pass filter selection bits (LPF[3:0])

LPF[3]	LPF[2]	LPF[1]	LPF[0]	Low Pass Filter Type
0	0	1	0	800 Hz, 4-Pole
0	0	1	1	1000 Hz, 4-Pole ^{(1) (2)}

1. Default is 1000 Hz.
2. In case of POR, filter reverts to the default.

Note: Using values other than those listed in Table 65. Low-pass filter selection bits (LPF[3:0]) causes an error in the DEVSTAT.

4.7.11.2 DSP_CFG_U3 - DSP user configuration #3 register (address 42h)

The DSP user configuration register #3 is a user programmable read/write register that contains DSP-specific configuration information. This register is included in the read/write array error detection.

Changes to this register reset the DSP data path. The content of the SNSDATA_x registers are not guaranteed until the DSP has completed initialization. Reads of the SNSDATA_x registers and sensor data requests should be prevented during this time.

This register is readable and writeable in SPI mode, and I²C mode.

Table 66. DSP_CFG_U3 - DSP user configuration #3 register (address 42h) bit allocation

Bit	7	6	5	4	3	2	1	0
Symbol	reserved	DATATYPE0[1:0]		reserved	DATATYPE1[1:0]		reserved	reserved
Reset	0	0	0	0	0	0	0	0
Access	R/W	R/W	R/W	R/W	R/W	R/W	R/W	R/W

4.7.11.2.1 DSP data type 0 selection bits (DATATYPE0)

The DSP data type 0 selection bits select the type of data to be included in the SNSDATA0_L and SNSDATA0_H registers.

Table 67. DATATYPE0[1:0]

DATATYPE0[1]	DATATYPE0[0]	SNSDATA register contents
0	1	Absolute pressure (P _{ABS})
1	1	Temperature

4.7.11.2.2 DSP data type 1 selection bits (DATATYPE1)

The DSP data type 1 selection bits select the type of data to be included in the SNSDATA1_L and SNSDATA1_H registers.

Table 68. DATATYPE1[1:0]

DATATYPE1[1]	DATATYPE1[0]	SNSDATA register contents
0	1	Absolute pressure (P _{ABS})
1	1	Temperature

4.7.11.3 DSP_CFG_U4 - DSP user configuration #4 register (address 43h)

The DSP user configuration register #4 is a user programmable read/write register that contains DSP-specific configuration information. This register is included in the read/write array error detection.

Table 69. DSP_CFG_U4 - DSP user configuration #4 register (address 43h) bit allocation

Bit	7	6	5	4	3	2	1	0
Symbol	reserved	reserved	reserved	reserved	reserved	INT_OUT	reserved	reserved
Reset	0	0	0	0	0	0	0	0
Access	R/W	R/W	R/W	R/W	R/W	R/W	R/W	R/W

Table 70. DSP_CFG_U4 - DSP user configuration #4 register (address 43h) bit description

Bit	Symbol	Description
2	INT_OUT	The interrupt pin configuration bit selects the mode of operation for the interrupt pin. 0 — Open drain, active high with pull-down current 1 — Open drain, active low with pullup current

4.7.11.4 DSP_CFG_U5 - DSP user configuration #5 register (address 44h)

The DSP user configuration register #5 is a read/write register that contains DSP-specific configuration information. This register is included in the read/write array error detection.

Table 71. DSP_CFG_U5 - DSP user configuration #5 register (address 44h) bit allocation

Bit	7	6	5	4	3	2	1	0
Symbol	ST_CTRL[3:0]				reserved			
Factory default	0	0	0	0	0	0	0	0
Access	R/W	R/W	R/W	R/W	R/W	R/W	R/W	R/W

Table 72. DSP_CFG_U5 - DSP user configuration #5 register (address 44h) bit description

Bit	Symbol	Description
7 to 4	ST_CTRL[3:0]	The self-test control bits select one of the various analog and digital self-test features of the device as shown in Table 73. Self-Test Control Bits (ST_CTRL[3:0]) . The self-test control bits are not included in the read/write array error detection.
3 to 0	reserved	These bits are reserved.

Table 73. Self-Test Control Bits (ST_CTRL[3:0])

ST_CTRL[3]	ST_CTRL[2]	ST_CTRL[1]	ST_CTRL[0]	Function	SNS_DATAx_X Contents (16-bit data)
0	0	0	0	Normal Pressure Signal	16-bit Absolute Pressure Data
0	0	0	1	P-Cell Common Mode Verification	16-bit Absolute Pressure Data
0	0	1	0	reserved	reserved
0	0	1	1	reserved	reserved
0	1	0	0	DSP write to SNS_DATAx_X registers inhibited.	0000h
0	1	0	1	DSP write to SNS_DATAx_X registers inhibited.	AAAAh
0	1	1	0	DSP write to SNS_DATAx_X registers inhibited.	5555h
0	1	1	1	DSP write to SNS_DATAx_X registers inhibited.	FFFFh
1	0	0	0	reserved	reserved
1	0	0	1	reserved	reserved
1	0	1	0	reserved	reserved
1	0	1	1	reserved	reserved
1	1	0	0	Digital Self-Test 0	Digital Self-Test Output
1	1	0	1	Digital Self-Test 1	Digital Self-Test Output
1	1	1	0	Digital Self-Test 2	Digital Self-Test Output
1	1	1	1	Digital Self-Test 3	Digital Self-Test Output

4.7.12 INT_CFG - interrupt configuration register (address 45h)

The interrupt configuration register contains configuration information for the interrupt output. This register can be written during initialization but is locked once the ENDINIT bit is set (see Section 4.7.4). The register is included in the read/write array error detection.

Table 74. INT_CFG - interrupt configuration register (address 45h) bit allocation

Bit	7	6	5	4	3	2	1	0
Symbol	reserved		INT_PS[1:0]		INT_POLARITY	reserved		
Reset	0	0	0	0	0	0	0	0
Access	R/W	R/W	R/W	R/W	R/W	R/W	R/W	R/W

Table 75. INT_CFG - interrupt configuration register (address 45h) bit description

Bit	Symbol	Description
5 to 4	INT_PS[1:0]	<p>The INT_PS[1:0] bits set the programmable pulse stretch time for the interrupt output. Pulse stretch times are derived from the internal oscillator, so the tolerance on this oscillator applies.</p> <p>00 — 0 ms</p> <p>01 — 16.000 ms to 16.512 ms</p> <p>10 — 64.000 ms to 64.512 ms</p> <p>11 — 256.000 ms to 256.512 ms</p> <p>If the pulse stretch function is programmed to '00', the interrupt pin is asserted if and only if the interrupt condition exists after the most recent evaluated sample. The interrupt pin is deasserted if and only if an interrupt condition does not exist after the most recent evaluated sample.</p> <p>If the pulse stretch function is programmed to a non-zero value, the interrupt pin is controlled only by the value of the pulse stretch timer value. If the pulse stretch timer value is non-zero, the interrupt pin is asserted. If the pulse stretch timer is zero, the interrupt pin is deasserted. The pulse stretch counter continuously decrements until it reaches zero. The pulse stretch counter is reset to the programmed pulse stretch value if and only if an interrupt condition exists after the most recent evaluated sample.</p>
3	INT_POLARITY	<p>The interrupt polarity bit controls whether the interrupt is activated for values within or outside the window selected by the high and low threshold registers. With this bit and the programmable thresholds, a window comparator can be programmed for activation either within or outside a window.</p> <p>0 — Interrupt activated, if the value is outside the window</p> <p>1 — Interrupt activated, if the value is inside the window</p>

4.7.13 P_INT_HI, P_INT_LO - interrupt window comparator threshold registers (address 46h to 49h)

The interrupt threshold registers contain the high and low window comparator thresholds for pressure to be used to activate and deactivate the interrupt output. These registers can be written during initialization but are locked once the ENDINIT bit is set (see Section 4.7.4). The register is included in the read/write array error detection.

Table 76. P_INT_HI, P_INT_LO - interrupt window comparator threshold registers (address 46h to 49h) bit allocation

Location		Bit								
Address	Register	8	7	6	5	4	3	2	1	0
46h	PIN_INT_HI_L	PIN_INT_HI[7:0]								
47h	PIN_INT_HI_H	PIN_INT_HI[15:8]								
48h	PIN_INT_LO_L	PIN_INT_LO[7:0]								
49h	PIN_INT_LO_H	PIN_INT_LO[15:8]								
Reset		0	0	0	0	0	0	0	0	0
Access		R/W	R/W	R/W	R/W	R/W	R/W	R/W	R/W	R/W

The pressure threshold registers hold independent unsigned 16-bit values for a high and a low threshold. The window comparator threshold alignment is shown in Section 4.3.3.4.

If either the high or low threshold is programmed to 0000h, comparisons are disabled for that threshold only. The interrupt comparison still functions for the opposite threshold. If both the high and low thresholds are programmed to 0000h, the interrupt output is disabled.

4.7.14 P_CAL_ZERO - pressure calibration registers (address 4Ch, 4Dh)

The pressure calibration registers contain user programmable values to adjust the offset of the absolute pressure. These registers can be written during initialization but are locked once the ENDINIT bit is set (see Section 4.7.4). These registers are included in the read/write array error detection. Changes to these registers reset the DSP data path. The contents of the SNSDATA_x registers are not guaranteed until the DSP has completed initialization, as specified in Table 105. *Dynamic characteristics*. Reads of the SNSDATA_x registers and sensor data requests should be prevented during this time.

Table 77. P_CAL_ZERO - pressure calibration registers (address 4Ch, 4Dh) bit allocation

Location		Bit							
Address	Register	7	6	5	4	3	2	1	0
4Ch	P_CAL_ZERO_L	P_CAL_ZERO[7:0]							
4Dh	P_CAL_ZERO_H	P_CAL_ZERO[15:8]							
Reset		0	0	0	0	0	0	0	0
Access		R/W	R/W	R/W	R/W	R/W	R/W	R/W	R/W

The P_CAL_ZERO register value is a signed 16-bit value that is directly added to the internally calibrated pressure signal value as shown in Eq. (6). The equation applies to the values in the 16-bit SNSDATA registers.

$$PABS_{LSB} = SNSDATA + User \text{ Offset} \quad (6)$$

Note: The pressure calibration registers enable range and resolution options beyond the specified values of the device. The user must take care to ensure that the value stored in this register does not result in a compressed output range or a railed output.

4.7.15 DSP_STAT - DSP specific status register (address 60h)

The DSP status register is a read-only register that contains sensor data-specific status information.

Table 78. DSP_STAT - DSP-specific status register (address 60h) bit allocation

Bit	7	6	5	4	3	2	1	0
Symbol	reserved	reserved	reserved	reserved	ST_INCMPLT	ST_ACTIVE	CM_ERROR	ST_ERROR
Factory default	0	0	0	0	1	0	0	0
Access	R	R	R	R	R	R	R	R

Table 79. DSP_STAT - DSP-specific status register (address 60h) bit description

Bit	Symbol	Description
3	ST_INCMPLT	The self-test incomplete bit is set after a device reset and is only cleared when one of the analog or digital self-test modes is enabled in the ST_CTRL register (ST_CTRL[3] = '1' ST_CTRL[2] = '1' ST_CTRL[1] = '1' ST_CTRL[0] = '1'). 0 — An analog or digital self-test has been activated since the last reset. 1 — No analog or digital self-test has been activated since the last reset.
2	ST_ACTIVE	The self-test active bit is set if any self-test mode is active. The self-test active bit is cleared when no self-test mode is active. ST_ACTIVE = ST_CTRL[3] ST_CTRL[2] ST_CTRL[1] ST_CTRL[0]
1	CM_ERROR	The absolute pressure common mode error status bit is set if the common mode value of the analog front end exceeds predetermined limits. The CM_ERROR bit is cleared on a read of the DSP_STAT register through any communication interface or on a data transmission that includes the error in the status field.
0	ST_ERROR	The self-test error flag is set if an internal self-test fails as described in Section 4.3.1: Self-test functions. This bit can only be cleared by a device reset.

4.7.16 DEVSTAT_COPY - device status copy register (address 61h)

The device status copy register is a read-only register that contains a copy of the device status information contained in the DEVSTAT register. See Section 4.7.2.1 for details regarding the DEVSTAT register contents. A read of the DEVSTAT_COPY register has the same effect as a read of the DEVSTAT register.

Table 80. DEVSTAT_COPY - device status copy register (address 61h) bit allocation

Bit	7	6	5	4	3	2	1	0
Symbol	DSP_ERR	reserved	COMM_ERR	MEMTEMP_ERR	SUPPLY_ERR	TESTMODE	DEVRES	DEVINIT
Reset	0	0	0	0	0	0	0	0
Access	R	R	R	R	R	R	R	R

For bit descriptions, see [Table 38. DEVSTAT - device status register \(address 01h\) bit description](#).

4.7.17 SNSDATA0_L, SNSDATA0_H - sensor data #0 registers (address 62h, 63h)

The sensor data #0 registers are read-only registers that contain the 16-bit sensor data. See [Section 4.3.3.4](#) for details regarding the 16-bit sensor data.

The SNSDATA0_H register value is latched on a read of the SNSDATA0_L register value until the SNSDATA0_H register is read. To avoid data mismatch, the user is always required to read the registers in sequence, SNSDATA0_L register first, followed by the SNSDATA0_H register.

Table 81. SNSDATA0_L, SNSDATA0_H - sensor data #0 registers (addresses 62h, 63h) bit allocation

Location		Bit							
Address	Symbol	7	6	5	4	3	2	1	0
62h	SNSDATA0_L	SNSDATA0_L[7:0]							
63h	SNSDATA0_H	SNSDATA0_H[15:8]							
Factory default		0	0	0	0	0	0	0	0
Access		R	R	R	R	R	R	R	R

4.7.18 SNSDATA1_L, SNSDATA1_H - sensor data #1 registers (address 64h, 65h)

The sensor data #1 registers are read-only registers that contain the 16-bit sensor data. See [Section 4.3.3.4](#) for details regarding the 16-bit sensor data. The SNSDATA1 registers are beneficial for I²C read wrap around to reduce the number of I²C transactions. In this case, the temperature can be selected to be put into this register. See [Table 9. Sensor data register read wrap-around description](#) and [Table 67. DATATYPE0\[1:0\]](#).

The SNSDATA1_H register value is latched on a read of the SNSDATA1_L register value until the SNSDATA1_H register is read. To avoid data mismatch, the user is always required to read the registers in sequence, SNSDATA1_L register first, followed by the SNSDATA1_H register.

Table 82. SNSDATA1_L, SNSDATA1_H - sensor data #1 registers (address 64h, 65h) bit allocation

Location		Bit							
Address	Symbol	7	6	5	4	3	2	1	0
64h	SNSDATA1_L	SNSDATA1_L[7:0]							
65h	SNSDATA1_H	SNSDATA1_H[15:8]							
Factory default		0	0	0	0	0	0	0	0
Access		R	R	R	R	R	R	R	R

4.7.19 SNSDATA0_TIME_x - timestamp registers (address 66h to 6Bh)

The sensor data 0 timestamp registers are read-only registers that contain a 48-bit timestamp.

The value of the 48-bit free running timer register is copied to the sensor data 0 timestamp registers each time sensor data 0 data is latched for transmission. The timestamp is updated at the start of the sensor data 0 register value transmission for a register read of the SNSDATA0_L register.

The timestamp register is organized to allow for optimized reading of the timestamp in I²C automatic sensor data register read wrap-around mode as documented in [Table 9. Sensor data register read wrap-around description](#).

The sensor data 0 timestamp registers are read-only registers that contain a 48-bit timestamp.

The value of the 48-bit free running timer register is copied to the sensor data 0 timestamp registers each time sensor data 0 data is latched for transmission via SPI.

Table 83. SNSDATA0_TIME_x - timestamp register (address 66h to 6Bh) bit allocation

Location		Bit							
Address	Symbol	7	6	5	4	3	2	1	0
66h	SNSDATA0_TIME0	SNSDATA0_TIME[7:0]							
67h	SNSDATA0_TIME1	SNSDATA0_TIME[15:8]							
68h	SNSDATA0_TIME2	SNSDATA0_TIME[23:16]							
69h	SNSDATA0_TIME3	SNSDATA0_TIME[31:24]							
6Ah	SNSDATA0_TIME4	SNSDATA0_TIME[39:32]							
6Bh	SNSDATA0_TIME5	SNSDATA0_TIME[47:40]							
Factory default		0	0	0	0	0	0	0	0
Access		R	R	R	R	R	R	R	R

4.7.20 P_MAX, P_MIN - maximum and minimum absolute pressure value registers (address 6Ch to 6Fh)

The minimum and maximum absolute pressure value registers are read-only registers that contain a sample-by-sample continuously updated minimum and maximum 16-bit absolute pressure value. The value is reset to 0000h on a write to a DSP_CFG_U1 register that changes the value of the LPF[2:0] or ST_CTRL[3:0].

The values of P_Max and P_Min obtained during a SPI or I²C register read might not always be the same value as the instantaneous pressure value obtained from the SNSDATA_x registers.

These registers are readable in SPI mode or I²C mode. In I²C mode, the P_xxx_H register value is latched on a read of the P_xxx_L register value until the P_xxx_H register is read. To avoid data mismatch, the user is always required to read the registers in sequence, P_xxx_L register first, followed by the P_xxx_H register.

Table 84. P_Max and P_Min registers (address 6Ch to 6Fh) bit allocation

Location		Bit							
Address	Symbol	7	6	5	4	3	2	1	0
6Ch	P_MAX_L	P_MAX[7:0]							
6Dh	P_MAX_H	P_MAX[15:8]							
6Eh	P_MIN_L	P_MIN[7:0]							
6Fh	P_MIN_H	P_MIN[15:8]							
Factory default		0	0	0	0	0	0	0	0
Access		R	R	R	R	R	R	R	R

4.7.21 FRT - free running timer registers (addresses 78h to 7Dh)

The free running timer registers are read-only registers that contain a 48-bit free running timer. The free running timer is clocked by the main oscillator frequency and increments every 100 ns.

Table 85. FRT - free running timer registers (addresses 78h to 7Dh) bit allocation

Location		Bit							
Address	Symbol	7	6	5	4	3	2	1	0
78h	FRT0	FRT[7:0]							
79h	FRT1	FRT[15:8]							
7Ah	FRT2	FRT[23:16]							
7Bh	FRT3	FRT[31:24]							
7Ch	FRT4	FRT[39:32]							
7Dh	FRT5	FRT[47:40]							
Access		R	R	R	R	R	R	R	R

4.7.22 IC type register (address C0h)

The IC type register is a factory programmable OTP register that contains the IC type as defined below. This register is included in the factory programmed OTP array error detection. This register is readable in SPI mode or I²C mode when ENDINIT is not set.

Table 86. IC TYPE REGISTER (ICTYPEID address C0h) bit allocation

Bit	7	6	5	4	3	2	1	0
Symbol	ICTYPEID[7:0]							
Reset	0	0	0	0	0	0	1	0
Access	R	R	R	R	R	R	R	R

4.7.23 IC manufacturer revision register (address C1h)

The IC manufacturer revision register is a factory programmable OTP register that contains the IC revision. The upper nibble contains the main IC revision. The lower nibble contains the sub IC revision. This register is included in the factory programmed OTP array error detection. This register is readable in SPI mode or I²C mode when ENDINIT is not set.

Table 87. IC MANUFACTURER REVISION REGISTER (ICREVID address C1h) bit allocation

Bit	7	6	5	4	3	2	1	0
Symbol	ICREVID[7:0]							
Reset	N/A	N/A	N/A	N/A	N/A	N/A	N/A	N/A
Access	R	R	R	R	R	R	R	R

4.7.24 IC manufacturer identification register (address C2h)

The IC manufacturer identification register is a factory programmable OTP register that identifies ST as the IC manufacturer. This register is included in the factory programmed OTP array error detection. This register is readable in SPI mode or I²C mode when ENDINIT is not set.

Table 88. IC MANUFACTURER IDENTIFICATION REGISTER (ICMFGID address C2h) bit allocation

Bit	7	6	5	4	3	2	1	0
Symbol	ICMFGID[7:0]							
Reset	0	0	0	0	0	0	1	0
Access	R	R	R	R	R	R	R	R

4.7.25 Part number register (address C4h, C5h)

The part number registers are factory programmed OTP registers that include the numeric portion of the device part number. These registers are included in the factory programmed OTP array error detection. These registers are readable in SPI mode or I²C mode when ENDINIT is not set.

Table 89. PN0 Register (address C4h) bit allocation

Bit	7	6	5	4	3	2	1	0
Symbol	PN0[7:0]							
Reset	N/A	N/A	N/A	N/A	N/A	N/A	N/A	N/A
Access	R	R	R	R	R	R	R	R

Table 90. PN1 Register (address C5h) bit allocation

Bit	7	6	5	4	3	2	1	0
Symbol	PN1[7:0]							
Reset	N/A	N/A	N/A	N/A	N/A	N/A	N/A	N/A
Access	R	R	R	R	R	R	R	R

4.7.26 Device serial number registers

The serial number registers are factory programmed OTP registers that include the unique serial number of the device. Serial numbers begin at 1 for all produced devices in each lot and are sequentially assigned. Lot numbers begin at 1 and are sequentially assigned. No lot contains more devices than can be uniquely identified by the 14-bit serial number. Depending on lot size and quantities, all possible lot numbers and serial numbers might not be assigned. These registers are included in the factory programmed OTP array error detection. These registers are readable in SPI mode or I²C mode when ENDINIT is not set.

Table 91. SN0 Register (address C6h) bit allocation

Bit	7	6	5	4	3	2	1	0
Symbol	SN[7:0]							
Reset	N/A	N/A	N/A	N/A	N/A	N/A	N/A	N/A
Access	R	R	R	R	R	R	R	R

Table 92. SN1 Register (address C7h) bit allocation

Bit	7	6	5	4	3	2	1	0
Symbol	SN[7:0]							
Reset	N/A	N/A	N/A	N/A	N/A	N/A	N/A	N/A
Access	R	R	R	R	R	R	R	R

Table 93. SN2 Register (address C8h) bit allocation

Bit	7	6	5	4	3	2	1	0
Symbol	SN[7:0]							
Reset	N/A	N/A	N/A	N/A	N/A	N/A	N/A	N/A
Access	R	R	R	R	R	R	R	R

Table 94. SN3 Register (address C9h) bit allocation

Bit	7	6	5	4	3	2	1	0
Symbol	SN[7:0]							
Reset	N/A	N/A	N/A	N/A	N/A	N/A	N/A	N/A
Access	R	R	R	R	R	R	R	R

Table 95. SN4 Register (address CAh) bit allocation

Bit	7	6	5	4	3	2	1	0
Symbol	SN[7:0]							
Reset	N/A	N/A	N/A	N/A	N/A	N/A	N/A	N/A
Access	R	R	R	R	R	R	R	R

4.7.27 ASIC wafer ID registers

The ASIC wafer ID registers are factory programmed OTP registers that include the wafer number, wafer X and Y coordinates and the wafer lot number for the device ASIC. These registers are included in the factory programmed OTP array error detection. These registers are readable in SPI mode or I²C mode when ENDINIT is not set.

Table 96. ASICWFR# Register (address CBh) bit allocation

Bit	7	6	5	4	3	2	1	0
Symbol	ASICWFR#[7:0]							
Reset	N/A	N/A	N/A	N/A	N/A	N/A	N/A	N/A
Access	R	R	R	R	R	R	R	R

Table 97. ASICWFR_X Register (address CCh) bit allocation

Bit	7	6	5	4	3	2	1	0
Symbol	ASICWFR_X[7:0]							
Reset	N/A	N/A	N/A	N/A	N/A	N/A	N/A	N/A
Access	R	R	R	R	R	R	R	R

Table 98. ASICWFR_Y Register (address CDh) bit allocation

Bit	7	6	5	4	3	2	1	0
Symbol	ASICWFR_Y[7:0]							
Reset	N/A	N/A	N/A	N/A	N/A	N/A	N/A	N/A
Access	R	R	R	R	R	R	R	R

Table 99. ASICWLOT_L Register (address D0h) bit allocation

Bit	7	6	5	4	3	2	1	0
Symbol	ASICWLOT_L[7:0]							
Reset	N/A	N/A	N/A	N/A	N/A	N/A	N/A	N/A
Access	R	R	R	R	R	R	R	R

Table 100. ASICWLOT_H Register (address D1h) bit allocation

Bit	7	6	5	4	3	2	1	0
Symbol	ASICWLOT_H[7:0]							
Reset	N/A	N/A	N/A	N/A	N/A	N/A	N/A	N/A
Access	R	R	R	R	R	R	R	R

4.7.28 USERDATA_0 to USERDATA_E - user data registers

User data registers are user programmable OTP registers that contain user-specific information. These registers are included in the user programmed OTP array error detection. These registers are readable and writable in SPI mode or I²C mode when ENDINIT is not set.

4.7.29 USERDATA_10 to USERDATA_1E - user data registers

User data registers are user programmable OTP registers that contain user-specific information. These registers are included in the user programmed OTP array error detection. These registers are readable and writable in SPI mode or I²C mode when ENDINIT is not set.

4.7.30 Lock and CRC Registers

The lock and CRC Registers are automatically programmed OTP registers that include the lock bit, the block identifier, and the block OTP array CRC use for error detection. These registers are automatically programmed when the corresponding data array is programmed to OTP using the Write OTP Enable register.

Table 101. Lock and CRC Register bit definitions

Location		Bit							
Address	Register	7	6	5	4	3	2	1	0
5Fh	CRC_UF2	LOCK_UF2	0	0	0	CRC_UF2[3:0]			
Factory Default		0	0	0	0	0	0	0	0
AFh	CRC_F_A	LOCK_F_A	REGA_BLOCKID[2:0]			CRC_F_A[3:0]			
Factory Default		1	0	0	1	varies			
BFh	CRC_F_B	LOCK_F_B	REGB_BLOCKID[2:0]			CRC_F_B[3:0]			
Factory Default		1	0	1	0	varies			
CFh	CRC_F_C	LOCK_F_C	REGC_BLOCKID[2:0]			CRC_F_C[3:0]			
Factory Default		1	0	1	1	varies			

Location		Bit							
Address	Register	7	6	5	4	3	2	1	0
DFh	CRC_F_D	LOCK_F_D	REGD_BLOCKID[2:0]			CRC_F_D[3:0]			
Factory Default		1	1	0	1	varies			
EFh	CRC_F_E	LOCK_F_E	REGE_BLOCKID[2:0]			CRC_F_E[3:0]			
Factory Default		0	0	0	0	0	0	0	0
FFh	CRC_F_F	LOCK_F_F	REGF_BLOCKID[2:0]			CRC_F_F[3:0]			
Factory Default		0	0	0	0	0	0	0	0

4.7.31 Reserved registers

A register read command to a reserved register or a register with reserved bits results in a valid response. The data for reserved bits may be '0' or '1'.

A register write command to a reserved register or a register with reserved bits executes and results in a valid response. The data for the reserved bits may be '0' or '1'. A write to the reserved bits must always be '0' for normal device operation and performance.

4.7.32 Invalid register addresses

A register read command to a register address outside the addresses listed in [Section 4.6](#) results in a valid response. The data for the registers are '00h'.

A register write command to a register address outside the addresses listed in [Section 4.6](#) is not executable, but results in a valid response. The data for the registers are '00h'.

A register write command to a read-only register is not executable, but results in a valid response. The data for the registers is the current content of the registers.

4.8 Read/write register array CRC verification

The writable registers (all registers except for the DEVLOCK_WR register) are verified by a continuous 4-bit CRC that is calculated on the entire array once ENDINIT is set. The CRC verification uses a generator polynomial of $g(x) = X^4 + X^3 + 1$, with a seed value = '0000'.

5 Maximum ratings

Absolute maximum ratings are the limits that the device can be exposed to without permanently damaging it. Absolute maximum ratings are stress ratings only; functional operation at these ratings is not guaranteed.

Exposure to absolute maximum ratings conditions for extended periods might affect device reliability.

This device contains circuitry to protect against damage due to high static voltage or electrical fields. ST advises that normal precautions be taken to avoid application of any voltages higher than maximum-rated voltages to this high-impedance circuit.

Table 102. Maximum ratings

Symbol	Parameter	Conditions	Min	Max	Unit
V _{CCMAX}	Supply Voltage	V _{CC} , V _{CCIO}	(1) —	+6.0	V
V _{IOMAX}	Input/Output Max on pins	INT, TESTx, SS_B, SCLK/SCL, MOSI, MISO/SDA	(1) -0.3	V _{CC} + 0.3	V
h _{DROP}	Drop shock	To concrete, tile or steel surface, 10 drops, any orientation	(2) —	1.2	m
T _{stg}	Temperature range	Storage	(2) -40	+130	°C
T _J		Junction	(1) (3) -40	+150	°C
P _{MAX}	Maximum absolute pressure	Continuous	(3) —	300	kPa
P _{BURST}		Burst (tested at 100 ms)	(2) —	750	kPa
P _{MIN}	Minimum absolute pressure	Continuous	(1) —	60	kPa
f _{SEAL}	Pressure sealing force	Applied to top face of package	(1) —	10	N
θ _{JA}	Thermal resistance		(4) —	120	°C/W
ESD and latch-up protection characteristics					
V _{ESD}	Electrostatic discharge (per AEC-Q100, Rev H)	Human body model (HBM)	(2) -2000	2000	V
V _{ESD}		Charge device model (CDM)	(2) (5) -500	500	V

1. Parameter verified by parametric and functional validation.
2. Parameter verified by qualification testing (Per AEC-Q100 Rev H or per ST specification).
3. Functionality verified by modeling, simulation and/or design verification.
4. Thermal resistance provided with device mounted to a two-layer, 1.6 mm FR-4 PCB as documented in AN1902^[1] with one signal layer and one ground layer.
5. CDM tested at ±750 V for corner pins and ±500 V for all other pins.

	Caution
	This device is sensitive to mechanical shock. Improper handling can cause permanent damage to the part.

	Caution
	This is an ESD sensitive device. Improper handling can cause permanent damage to the part.

6 Operating range

Table 103. Electrical characteristics — supply and I/O
 $V_{CC_min} \leq (V_{CC} - V_{SS}) \leq V_{CC_max}$, $T_L \leq T_A \leq T_H$, $\Delta T \leq 25$ °C/min, unless otherwise specified.

Symbol	Parameter	Conditions	Min	Max	Units
V_{CC}	Supply voltage	Measured at V_{CC} ⁽¹⁾	3.10	5.25	V
T_A	Operating temperature range	$V_{CC} = 5.0$ V, unless otherwise stated. Production tested operating temperature range ⁽¹⁾	T_L -40	T_H +130	°C
T_A		Guaranteed operating temperature range ⁽¹⁾	-40	+130	°C
$V_{CC_RAMP_SPI}$	Supply power on ramp rate	⁽²⁾	0.00001	10	V/ μ s
V_{PP}	Programming voltage ($I_{PP} \leq 5$ mA, 15 °C $\leq T_A \leq 40$ °C) Applied to V_{CC}		9.0	11.0	V

1. Parameter tested at final test.
2. Parameter verified by parametric and functional validation.

7 Static characteristics

Table 104. Static characteristics
 $V_{CC_min} \leq (V_{CC} - V_{SS}) \leq V_{CC_max}$, $T_L \leq T_A \leq T_H$, $\Delta T \leq 25$ °C/min, unless otherwise specified.

Symbol	Parameter	Condition	Min	Typ	Max	Units
Supply and I/O						
I_{IH}	Input current high	At V_{IH} ; SCLK/SCL	(1) 10	20	70	μA
I_{IL}	Input current low	At V_{IL} ; SS_B	(1) -70	-20	-10	μA
I_{MISO_Lkg}	MISO output leakage		(1) -5	—	5	μA
I_q	Supply current	$V_{CC} = 5.0$ V	(1) —	—	8.0	mA
$V_{CC_UV_F}$	Low-voltage detection threshold	V_{CC} falling	(1) 2.64	2.74	2.84	V
V_{L_HYST}	Input voltage hysteresis	SCLK/SCL, SS_B, MOSI	(2) 0.125	—	0.500	V
V_{IH}	Input high voltage (at $V_{CC} = 3.3$ V)	SCLK/SCL, SS_B, MOSI	(1) 2.0	—	—	V
V_{IL}	Input low voltage	SCLK/SCL, SS_B, MOSI	(1) —	—	1.0	V
V_{INT_OH}	Output high voltage	$I_{Load} = -100$ μA	(1) $V_{CC} - 0.35$	—	V_{CC}	V
V_{INT_OL}	Output low voltage	$I_{Load} = 100$ μA	(1) —	—	0.1	V
V_{OH}	Output high voltage	MISO/SDA, $I_{Load} = -1$ mA	(1) $V_{CC} - 0.2$	—	—	V
Temperature sensor signal chain						
T_{RANGE}	Temperature measurement range		(3) -50	—	+160	°C
T_{25}	Temperature output	At 25 °C	(3) 83	93	103	LSB
T_{RANGE}	Range of output (8-bit)	Unsigned temperature	(3) 0	—	255	LSB
T_{SENSE}	Temperature output sensitivity (8-bit)		(4) —	1.00	—	LSB/°C
T_{ACC}	Temperature output accuracy (8-bit)		(4) -10	—	+10	°C
T_{RMS}	Temperature output noise RMS (8-bit)	Standard deviation of 50 readings, $f_{Samp} = 8$ kHz	(4) —	—	+2	LSB
Absolute pressure sensor signal chain						
P_{ABS}	Absolute pressure range		(2) 60	—	165	kPa
P_{SENS}	Absolute pressure output sensitivity 12-bit 16-bit	$P_CAL_ZERO = 0h$ $V_{CC} = 5.0$ V.	(5) —	33.31 66.62	—	LSB/kPa
P_{ACC_HIT}	Absolute pressure accuracy	$V_{CC} = 5.0$ V, 85 °C $< T_A \leq 130$ °C	(5) -3.5	—	+3.5	kPa
P_{ACC_Typ}	Absolute pressure accuracy	$V_{CC} = 5.0$ V, 0 °C $\leq T_A \leq 85$ °C	(5) -2.3	—	+2.3	kPa
P_{ACC_LoT}	Absolute pressure accuracy	$V_{CC} = 5.0$ V, -40 °C $\leq T_A < 0$ °C	(5) -3.5	—	+3.5	kPa
P_{ABS_DErr}	Absolute pressure output range	Digital error response	(2) —	0	—	LSB
P_{ABS_DNL}	Absolute pressure nonlinearity	Absolute pressure DNL, 12-bit monotonic with no missing codes	(3) —	—	—	+1
P_{ABS_INL}	Absolute pressure nonlinearity	Absolute pressure INL, 12-bit (least squares BFS)	(3) —	—	+20	LSB
P_{ABS_Peak}	Absolute pressure noise peak (12-bit)	Temperature = -40 °C and 130 °C, $V_{CC} = 5.0$ V. Maximum deviation from mean, 50 readings, f_{Samp} = 1 kHz, LPF = 1000 Hz, 4-pole	(1) -8	—	+8	LSB
P_{ABS_RMS}	Absolute pressure noise RMS (12-bit)	Temperature = -40 °C and 130 °C, $V_{CC} = 5.0$ V. Standard deviation of 50 readings, $f_{Samp} = 8$ kHz, LPF = 1000 Hz, 4-pole	(5) —	—	+2	LSB

Symbol	Parameter	Condition	Min	Typ	Max	Units
POFF_D12 POFF_D16	Absolute pressure offset 12-Bit 16-Bit	At minimum rated pressure, P_CAL_ZERO = 0h, Temperature = -40 °C and 130 °C, V _{CC} = 5.0 V	(5) —	299 29270	—	LSB
PSC ₃ PSC _{SPI3}	Digital power supply coupling	C _{VCC} = 0.1 µf, 12-bit data 1 kHz ≤ f _n ≤ 100 MHz, V _{CC} = 3.3 V ± 0.1 V	(3) —	—	2	LSB
PSC ₅ PSC _{SPI5}	Digital power supply coupling	C _{VCC} = 0.1 µf, 12-bit data 1 kHz ≤ f _n ≤ 100 MHz, V _{CC} = 5.0 V ± 0.1 V	(3) —	—	2	LSB

1. Parameter verified by pass/fail testing at final test.
2. Functionality verified by modeling, simulation and/or design verification.
3. Parameter verified by functional validation.
4. Parameter verified by characterization.
5. Parameter tested at final test.

8 Dynamic characteristics

Table 105. Dynamic characteristics
 $V_{CC_min} \leq (V_{CC} - V_{SS}) \leq V_{CC_max}$, $T_L \leq T_A \leq T_H$, $\Delta T \leq 25$ °C/min, unless otherwise specified.

Symbol	Parameter	Condition	Min	Typ	Max	Units
I²C						
t _{SCL_100} t _{SCLK_400} t _{SCLK_1000}	Clock (SCL) period (30 % of V _{CC} to 30 % of V _{CC})	100 kHz mode 400 kHz mode 1000 kHz mode	(1) — (1) — (1) —	9.50 2.37 1.00	— — —	µs µs µs
t _{SCLH_100} t _{SCLH_400} t _{SCLH_1000}	Clock (SCL) high time (70 % of V _{CC} to 70 % of V _{CC})	100 kHz mode 400 kHz mode 1000 kHz mode (not compliant with UM10204, rev.6)	(1) — (1) — (1) —	4.00 0.60 0.50	— — —	µs µs µs
t _{SCLL_100} t _{SCLL_400} t _{SCLL_1000}	Clock (SCL) low time (30 % of V _{CC} to 30 % of V _{CC})	100 kHz mode 400 kHz mode 1000 kHz mode	(1) — (1) — (1) —	4.70 1.30 0.50	— — —	µs µs µs
t _{SRISE_100} t _{SRISE_400} t _{SRISE_1000}	Clock (SCL) and data (SDA) risetime (30 % of V _{CC} to 70 % of V _{CC})	100 kHz mode 400 kHz mode 1000 kHz mode	(1) — (1) — (1) —	— — —	1000 300 120	ns ns ns
t _{SFALL_100} t _{SFALL_400} t _{SFALL_1000}	Clock (SCL) and data (SDA) fall time (70 % of V _{CC} to 30 % of V _{CC})	100 kHz mode 400 kHz mode 1000 kHz mode	(1) — (1) — (1) —	— — —	300 300 120	ns ns ns
t _{SETUP_100} t _{SETUP_400} t _{SETUP_1000}	Data input setup time (SDA = 30/70 % of V _{CC} to SCL = 30 % of V _{CC})	100 kHz mode 400 kHz mode 1000 kHz mode	(1) — (1) — (1) —	250 100 50	— — —	ns ns ns
t _{HOLD_100} t _{HOLD_400} t _{HOLD_1000}	Data input hold time (SCL = 70 % of V _{CC} to SDA = 30/70 % of V _{CC})	100 kHz mode 400 kHz mode 1000 kHz mode	(1) — (1) — (1) —	0 0 0	900 900 300	ns ns ns
t _{STARTSETUP_100} t _{STARTSETUP_400} t _{STARTSETUP_1000}	Start condition setup time (SDA = 30/70 % of V _{CC} to SCL = 30 % of V _{CC})	100 kHz mode 400 kHz mode 1000 kHz mode	(1) — (1) — (1) —	4.70 0.60 0.26	— — —	µs µs µs
t _{STARTHOLD_100} t _{STARTHOLD_400} t _{STARTHOLD_1000}	Start condition hold time (SCL = 70 % of V _{CC} to SDA = 30/70 % of V _{CC})	100 kHz mode 400 kHz mode 1000 kHz mode	(1) — (1) — (1) —	4.00 0.60 0.26	— — —	µs µs µs
t _{STOPSETUP_100} t _{STOPSETUP_400} t _{STOPSETUP_1000}	Stop condition setup time (SDA = 30/70 % of V _{CC} to SCL = 30 % of V _{CC})	100 kHz mode 400 kHz mode 1000 kHz mode	(1) — (1) — (1) —	4.00 0.60 0.26	— — —	µs µs µs
t _{VALID_100} t _{VALID_400} t _{VALID_1000}	SCLK low to data valid (SCL = 30 % of V _{CC} to SDA = 30/70 % of V _{CC})	100 kHz mode 400 kHz mode 1000 kHz mode	(1) — (1) — (1) —	— — —	3.45 0.90 0.45	µs µs µs
t _{FREE_100} t _{FREE_400} t _{FREE_1000}	Bus free time (SDA = 70 % of V _{CC} to SDA = 70 % of V _{CC})	100 kHz mode 400 kHz mode 1000 kHz mode	(1) — (1) — (1) —	4.00 1.30 0.50	— — —	µs µs µs
C _{BUS}	Bus capacitive load		(2) —	—	400	pF
SPI						
t _{SCLK}	Serial interface timing ⁽³⁾	Clock (SCLK) period (10 % of V _{CC} to 10 % of V _{CC})	(1) —	90	—	ns
t _{SCLKH}	Serial interface timing ⁽³⁾	Clock (SCLK) period (90 % of V _{CC} to 90 % of V _{CC})	(1) —	30	—	ns
t _{SCLKL}		Clock (SCLK) period (10 % of V _{CC} to 10 % of V _{CC})	(1) —	30	—	ns
t _{SCLKR}	Serial interface timing ⁽³⁾	Clock (SCLK) period (10 % of V _{CC} to 90 % of V _{CC})	(1) —	10	25	ns
t _{SCLKF}		Clock (SCLK) period (90 % of V _{CC} to 10 % of V _{CC})	(1) —	10	25	ns
t _{LEAD}	Serial interface timing ⁽³⁾	SS_B asserted to SCLK high (SS_B = 10 % of V _{CC} to SCLK = 10 % of V _{CC})	(1) —	50	—	ns
t _{ACCESS}	Serial interface timing ⁽³⁾	SS_B asserted to SCLK high (SS_B = 10 % of V _{CC} to MISO = 10/90 % of V _{CC})	(1) —	—	50	ns

Symbol	Parameter	Condition	Min	Typ	Max	Units
t_{SETUP}	Serial interface timing ⁽³⁾	SS_B asserted to SCLK high (MOSI = 10/90 % of V_{CC} to SCLK = 10 % of V_{CC})	⁽¹⁾ —	20	—	ns
t_{HOLD_IN}	Serial interface timing ⁽³⁾	MOSI data hold time (SCLK = 90 % of V_{CC} to MOSI = 10/90 % of V_{CC})	⁽¹⁾ —	10	—	ns
t_{HOLD_OUT}		MOSI data hold time (SCLK = 90 % of V_{CC} to MISO = 10/90 % of V_{CC})	⁽¹⁾ 0	—	—	ns
t_{VALID}	Serial interface timing ⁽³⁾	SCLK low to data valid (SCLK = 10 % of V_{CC} to MISO = 10/90 % of V_{CC})	⁽¹⁾ —	—	30	ns
t_{LAG}	Serial interface timing ⁽³⁾	SCLK low to SS_B high (SCLK = 10 % of V_{CC} to SS_B = 90 % of V_{CC})	⁽¹⁾ —	60	—	ns
$t_{DISABLE}$	Serial interface timing ⁽³⁾	SS_B high to MISO disable (SS_B = 90 % of V_{CC} to MISO = Hi Z)	⁽¹⁾ —	—	60	ns
t_{SSN}	Serial interface timing ⁽³⁾	SS_B high to SS_B low (SS_B = 90 % of V_{CC} to SS_B = 90 % of V_{CC})	⁽¹⁾ —	500	—	ns
t_{SLKSS}	Serial interface timing ⁽³⁾	SCLK low to SS_B low (SCLK = 10 % of V_{CC} to SS_B = 90 % of V_{CC})	⁽¹⁾ —	50	—	ns
t_{SSCLK}	Serial interface timing ⁽³⁾	SS_B high to SCLK high (SS_B = 90 % of V_{CC} to SCLK = 90 % of V_{CC})	⁽¹⁾ —	50	—	ns
t_{LAT_SPI}	Data latency		—	—	1	ns
Signal chain						
$t_{SigChain}$	P_{ABS} low-pass filter	Signal chain sample time	⁽⁴⁾ —	48	—	μ s
f_{c0}		Cutoff frequency, filter option #0, 4-pole	^{(2) (4)} —	800	—	Hz
f_{c1}		Cutoff frequency, filter option #1, 4-pole	^{(2) (4)} —	1000	—	Hz
$t_{SigDelay}$	Signal delay (sinc filter to output delay, excluding the P_{ABS} LPF)		⁽⁴⁾ —	—	128	μ s
$T_{r_800Hz_LPF}$	Response time	10 % to 90 % of the final output value to input pressure step pulse.	⁽⁴⁾ —	—	0.53	ms
$T_{r_1kHz_LPF}$			⁽⁴⁾ —	—	0.42	ms
$T_{TD_800Hz_LPF}$	Total delay time	Total delay (settling time) of the final output value to input pressure step pulse.	⁽⁴⁾ —	—	1.2	ms
$T_{TD_1kHz_LPF}$			⁽⁴⁾ —	—	1.0	ms
t_{ST_INIT}	P_{ABS} startup common mode verification test time		⁽⁴⁾ —	—	24	ms
t_{ST_CMCONT}	P_{ABS} continuous common mode verification response time P_{ABS} error equivalent to 50 kPa		⁽⁴⁾ —	—	4	s
$t_{ST_Resp_1000_4}$	Self-test response time: self-test activation/deactivation to final value	LPF = 1000 Hz, 4-pole	⁽⁴⁾ —	—	2.016	ms
$t_{ST_FP_Resp}$	Fixed pattern response time: self-test activation/deactivation		⁽⁴⁾ —	—	100	μ s
$f_{Package}$	Package resonance frequency		⁽⁴⁾ 27.1	—	—	kHz
Supply and support circuitry						
t_{VCC_POR}	Reset recovery (all modes, excluding V_{CC} voltage ramp time)	$V_{CC} = V_{CCMIN}$ to POR release	⁽²⁾ —	—	1	ms
t_{POR_I2C/POR_SPI}		POR to first I ² C/SPI command	⁽⁴⁾ 0.800	—	1	ms
$t_{POR_DataValid}$		POR to sensor data valid	⁽⁴⁾ —	—	7	ms

Symbol	Parameter	Condition	Min	Typ	Max	Units
t _{RANGE_DataValid}	Reset recovery (all modes, excluding V _{CC} voltage ramp time)	DSP setting change to sensor data valid (2)	—	—	7	ms
t _{SOFT_RESET_I2C}	Soft reset activation time, command complete to reset (no ACK follows)	(4)	—	—	700	ns
t _{SOFT_RESET_SPI}	Soft reset activation time, SS_B high to reset	(4)	—	—	700	ns
t _{CC_POR}	V _{CC} undervoltage detection delay	(4)	—	—	5	μs
t _{UVOV_RCV}	Undervoltage/overvoltage recovery delay	(4)	—	100	—	μs
f _{OSC}	Internal oscillator period	(2) (4)	9.500	10.000	10.500	MHZ

1. Parameter verified by characterization.
2. Parameter verified by functional evaluation.
3. See Section 4.5.6, C_{MISO} ≤ 80 pF, R_{MISO} ≥ 10 kΩ
4. Functionality verified by modeling, simulation and/or design verification.

9 Media compatibility—pressure sensors only

For more information regarding media compatibility information, contact your local sales representative.

Note:

The devices contain a gel that protects the pressure transducer and its inter-die connection wires from corrosion, which might otherwise result in catastrophic failure modes. Direct exposure to materials with the same or nearly-the-same solubility can potentially result in a corruption of the protective gel. A corruption can be less than catastrophic in nature, however may result in an offset of the pressure measurement from its factory calibrated value. An offset can potentially be larger than the allowed tolerances published in this data sheet.

Further, ST does not recommend direct exposure to strong acid or strong base compounds as they can potentially result in a similar corruption as described above, or may result in a dissolution of the protective gel and/or the metal lid adhesive and/or the plastic device body. Such a dissolution can be catastrophic in nature, damaging the transducer surfaces and/or internal wire bonds and/or the control die surfaces. A potential dissolution may result in a similar offset, or cause the device to indicate overflow/underflow status, or may cause the device to cease operating in the worst case.

For a list of compounds known to generate out-of-tolerance offsets and/or catastrophic device failure, contact your local ST sales office.

10 Application information

The FXPS7165Dx4S sensor can operate in two modes: I²C and SPI. The application diagrams in Figure 23. I²C application diagram of FXPS7165Dx4S and Figure 24. SPI application diagram for FXPS7165Dx4S show the modes and their respective biasing and bypass components.

The sensor can be configured to operate in SPI mode to read the user registers, self-test and diagnostics information. The application diagram in Figure 24. SPI application diagram for FXPS7165Dx4S shows the SPI and the respective biasing and bypass components.

Note:

A gel is used to provide media protection against corrosive elements which may otherwise damage metal bond wires and/or IC surfaces. Highly pressurized gas molecules may permeate through the gel and then occupy boundaries between material surfaces within the sensor package. When decompression occurs, the gas molecules may collect, form bubbles and possibly result in delamination of the gel from the material it protects. If a bubble is located on the pressure transducer surface or on the bond wires, the sensor measurement may shift from its calibrated transfer function. In some cases, these temporary shifts could be outside the tolerances listed in the data sheet. In rare cases, the bubble may bend the bond wires and result in a permanent shift.

Figure 23. I²C application diagram of FXPS7165Dx4S

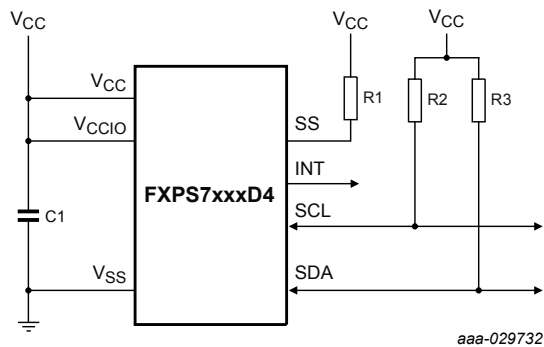


Table 106. External component recommendations for I²C

Name	Type	Description	Purpose
C1	Ceramic	0.1 μF, 10 %, 10 V minimum, X7R	V _{CC} power supply decoupling
R1	General purpose	1000 Ω, 5 %, 200 PPM	I ² C selection pin pull-up resistor
R2	General purpose	1000 Ω, 5 %, 200 PPM	Serial clock pull-up resistor
R3	General purpose	1000 Ω, 5 %, 200 PPM	Serial data pull-up resistor

Figure 24. SPI application diagram for FXPS7165Dx4S

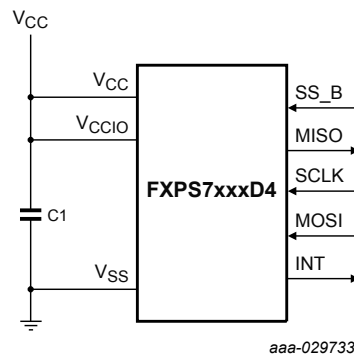


Table 107. External component recommendations for SPI

Name	Type	Description	Purpose
C1	Ceramic	0.1 μF, 10 %, 10 V minimum, X7R	V _{CC} power supply decoupling

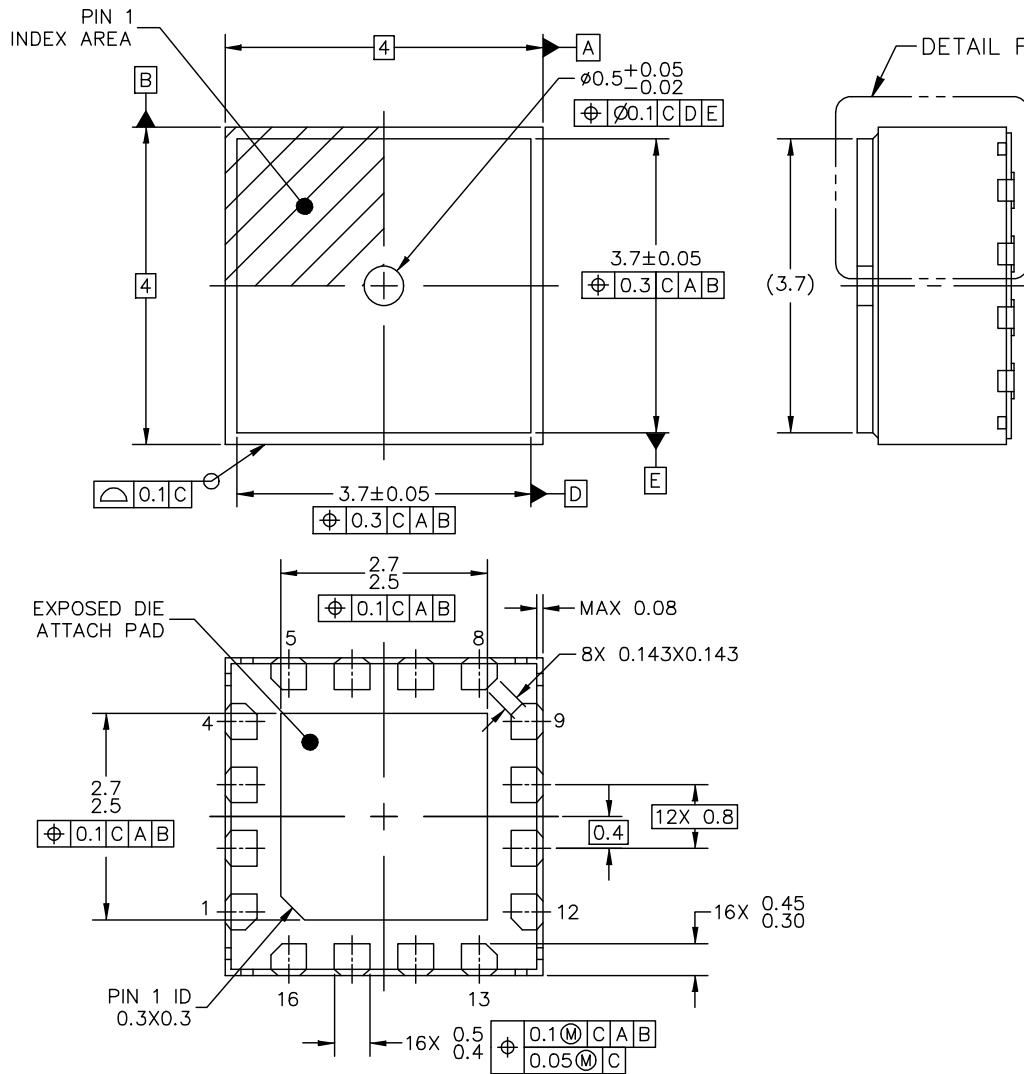
11 Package outline

Note: Trademark property of NXP, used by STMicroelectronics under license

Figure 25. Package outline HQFN

H-PQFN-16 I/O
4 X 4 X 1.98 PKG, 0.8 PITCH

SOT1573-1



RELEASED FOR EXTERNAL ASSEMBLY ONLY. THIS DESIGN ONLY MEETS EXTERNAL DESIGN AND ASSEMBLY RULES. MUST BE REVIEWED AND UPDATED BEFORE BEING ASSEMBLED INTERNALLY

© NXP B.V. ALL RIGHTS RESERVED

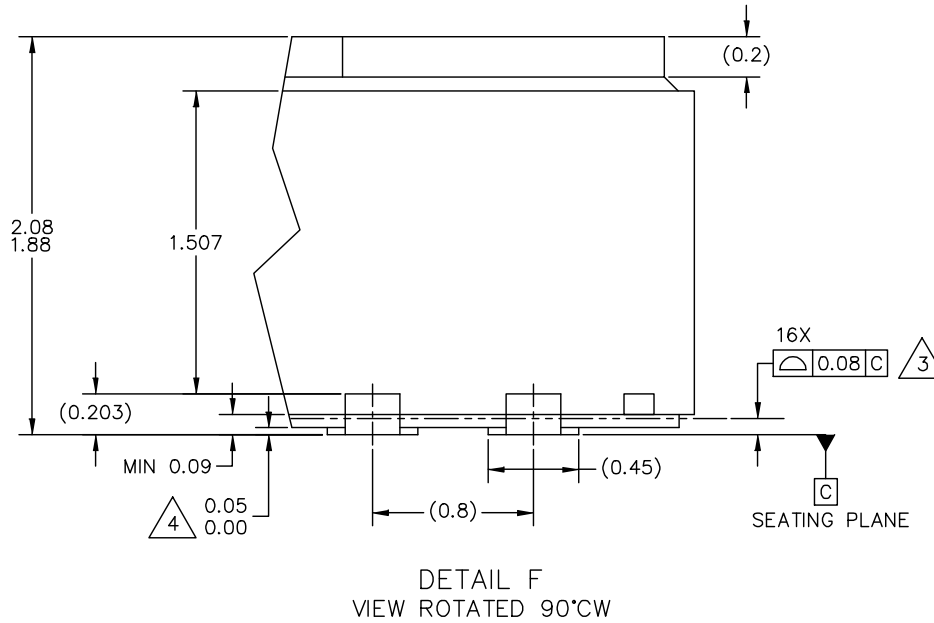
DATE: 19 JUN 2020

MECHANICAL OUTLINE PRINT VERSION NOT TO SCALE	STANDARD: NON JEDEC	DRAWING NUMBER: 98ASA00893D	REVISION: C	
--	------------------------	--------------------------------	----------------	--

Figure 26. Package outline detail HQFN

H-PQFN-16 I/O
4 X 4 X 1.98 PKG, 0.8 PITCH

SOT1573-1



RELEASED FOR EXTERNAL ASSEMBLY ONLY. THIS DESIGN ONLY MEETS EXTERNAL DESIGN AND ASSEMBLY RULES. MUST BE REVIEWED AND UPDATED BEFORE BEING ASSEMBLED INTERNALLY

© NXP B.V. ALL RIGHTS RESERVED

DATE: 19 JUN 2020

MECHANICAL OUTLINE PRINT VERSION NOT TO SCALE	STANDARD: NON JEDEC	DRAWING NUMBER: 98ASA00893D	REVISION: C	
--	------------------------	--------------------------------	----------------	--

Figure 27. Package outline note HQFN

H-PQFN-16 I/O
4 X 4 X 1.98 PKG, 0.8 PITCH

SOT1573-1

NOTES:

1. ALL DIMENSIONS ARE IN MILLIMETERS.
2. DIMENSIONING AND TOLERANCING PER ASME Y14.5M-1994.
3. COPLANARITY APPLIES TO LEADS AND DIE ATTACH PAD.
4. DIMENSION APPLIES ONLY FOR TERMINALS.
5. MIN METAL GAP SHOULD BE 0.2 MM.

© NXP B.V. ALL RIGHTS RESERVED

DATE: 19 JUN 2020

MECHANICAL OUTLINE PRINT VERSION NOT TO SCALE	STANDARD: NON JEDEC	DRAWING NUMBER: 98ASA00893D	REVISION: C	
--	------------------------	--------------------------------	----------------	--

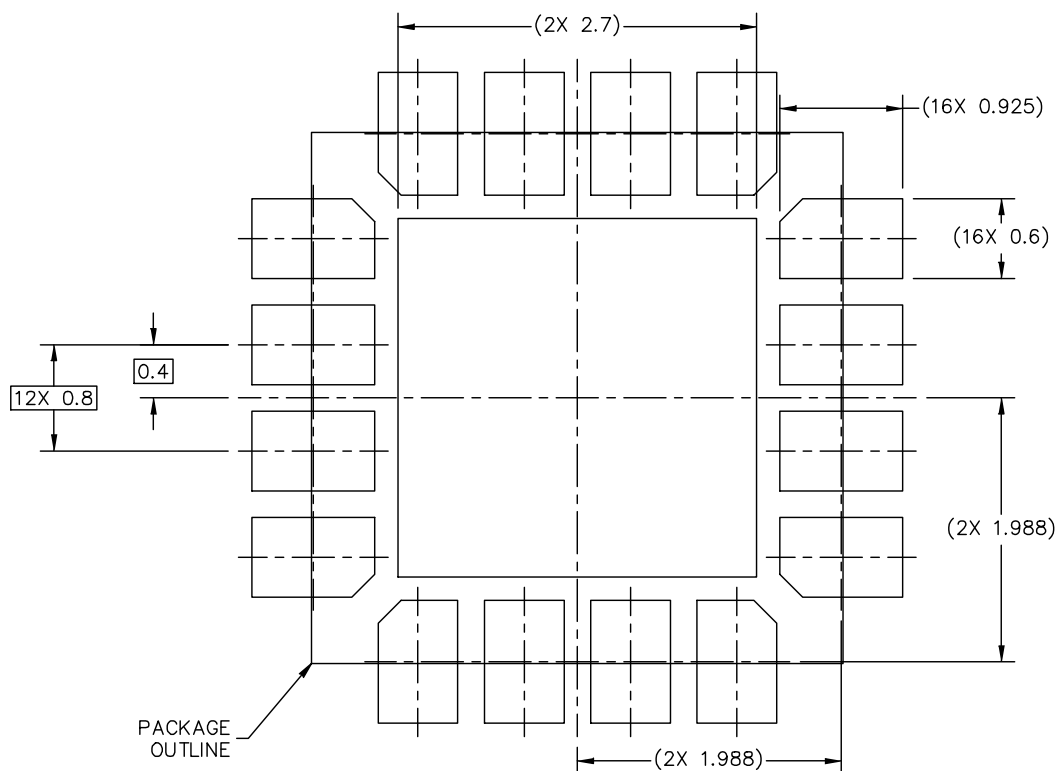
12 Soldering

Note: Trademark property of NXP, used by STMicroelectronics under license

Figure 28. PCB design guidelines - Solder mask opening pattern

H-PQFN-16 I/O
4 X 4 X 1.98 PKG, 0.8 PITCH

SOT1573-1



PCB DESIGN GUIDELINES – SOLDER MASK OPENING PATTERN

THIS SHEET SERVES ONLY AS A GUIDELINE TO HELP DEVELOP A USER SPECIFIC SOLUTION. DEVELOPMENT EFFORT WILL STILL BE REQUIRED BY END USERS TO OPTIMIZE PCB MOUNTING PROCESSES AND BOARD DESIGN IN ORDER TO MEET INDIVIDUAL/SPECIFIC REQUIREMENTS.

© NXP B.V. ALL RIGHTS RESERVED

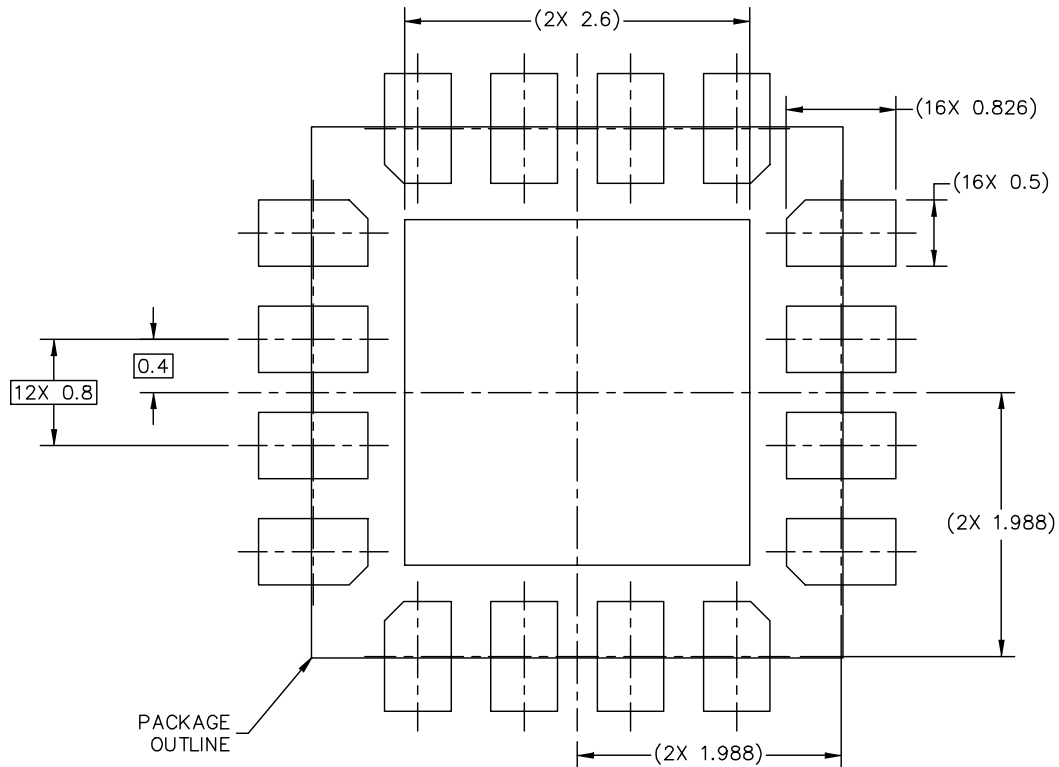
DATE: 19 JUN 2020

MECHANICAL OUTLINE PRINT VERSION NOT TO SCALE	STANDARD: NON JEDEC	DRAWING NUMBER: 98ASA00893D	REVISION: C	
--	------------------------	--------------------------------	----------------	--

Figure 29. PCB design guidelines - I/O pads and solderable area

H-PQFN-16 I/O
4 X 4 X 1.98 PKG, 0.8 PITCH

SOT1573-1



PCB DESIGN GUIDELINES – I/O PADS AND SOLDERABLE AREA

THIS SHEET SERVES ONLY AS A GUIDELINE TO HELP DEVELOP A USER SPECIFIC SOLUTION. DEVELOPMENT EFFORT WILL STILL BE REQUIRED BY END USERS TO OPTIMIZE PCB MOUNTING PROCESSES AND BOARD DESIGN IN ORDER TO MEET INDIVIDUAL/SPECIFIC REQUIREMENTS.

© NXP B.V. ALL RIGHTS RESERVED

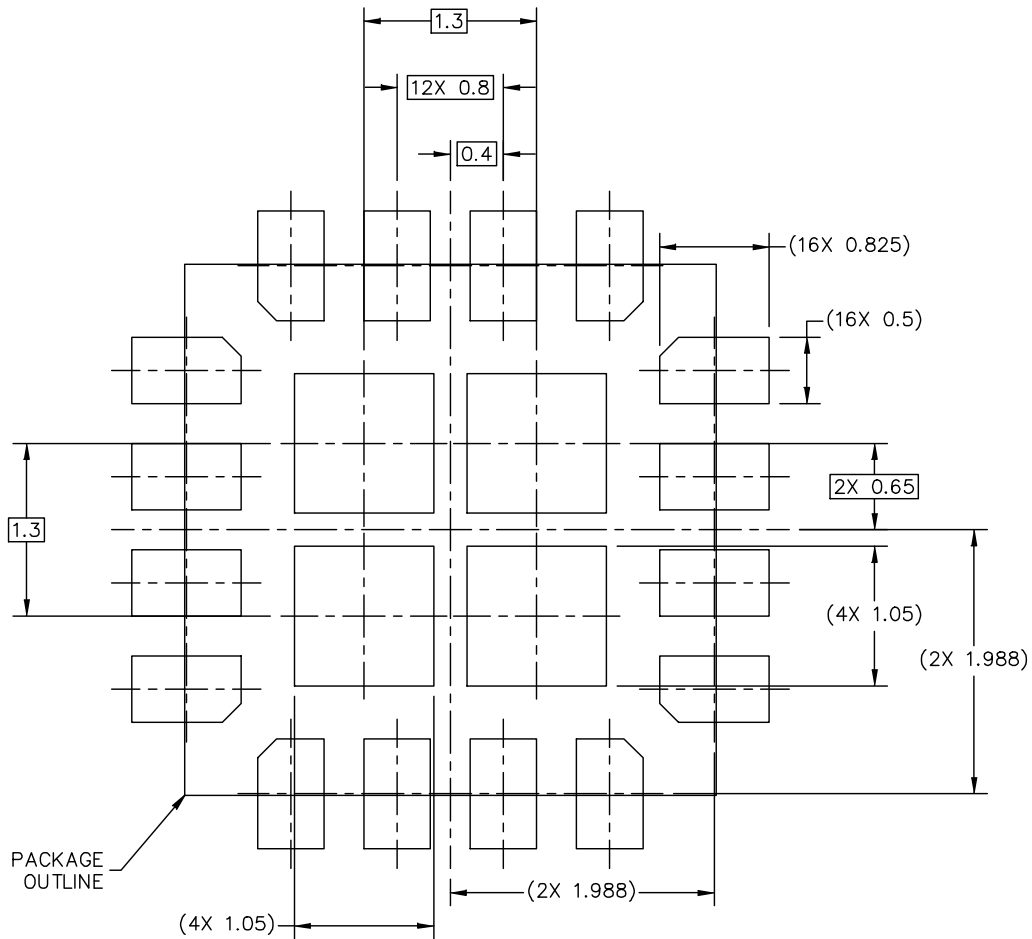
DATE: 19 JUN 2020

MECHANICAL OUTLINE PRINT VERSION NOT TO SCALE	STANDARD: NON JEDEC	DRAWING NUMBER: 98ASA00893D	REVISION: C	
--	------------------------	--------------------------------	----------------	--

Figure 30. PCB design guidelines - Solder paste stencil

H-PQFN-16 I/O
4 X 4 X 1.98 PKG, 0.8 PITCH

SOT1573-1



RECOMMENDED STENCIL THICKNESS 0.125 OR 0.15

PCB DESIGN GUIDELINES – SOLDER PASTE STENCIL

THIS SHEET SERVES ONLY AS A GUIDELINE TO HELP DEVELOP A USER SPECIFIC SOLUTION. DEVELOPMENT EFFORT WILL STILL BE REQUIRED BY END USERS TO OPTIMIZE PCB MOUNTING PROCESSES AND BOARD DESIGN IN ORDER TO MEET INDIVIDUAL/SPECIFIC REQUIREMENTS.

© NXP B.V. ALL RIGHTS RESERVED

DATE: 19 JUN 2020

MECHANICAL OUTLINE PRINT VERSION NOT TO SCALE	STANDARD: NON JEDEC	DRAWING NUMBER: 98ASA00893D	REVISION: C	
--	------------------------	--------------------------------	----------------	--

13 Mounting recommendations

The package should be mounted with the pressure port pointing away from sources of debris which might otherwise plug the sensor.

A plugged port exhibits no change in pressure and can be cross checked in the user software.

Refer to NXP application note AN1902 ^[1] for proper printed circuit board attributes and recommendations.

14 References

Note: Trademark property of NXP, used by STMicroelectronics under license

- [1] **AN1902** - *Assembly guidelines for QFN (quad flat no-lead) and SON (small outline no-lead) packages*
<https://www.nxp.com/docs/en/application-note/AN1902.pdf>
- [2] **AEC documents on Automotive Electronics Council Component Technical Committee's site:**
<http://www.aecouncil.com/AECDocuments.html>
- [3] **AN12727** - *FXPS7xxxDI4 User method to flash UF2*
<https://www.nxp.com/webapp/Download?colCode=AN12727&location=null>
- [4] **I²C-Bus specification and user manual** — NXP User Manual (UM) 10204, Rev. 6 - 4 April 2014, 64 pages,
<https://www.nxp.com/docs/en/user-guide/UM10204.pdf>

Revision history

Table 108. Document revision history

Date	Version	Changes
10-Apr-2026	1	Initial release from ST, rebranded NXP document

Contents

1	Ordering information	3
2	Block diagram	4
3	Pinning information	5
3.1	Pinning	5
3.2	Pin description	5
4	Functional description	6
4.1	Voltage regulators	6
4.1.1	V_{CC} , V_{REG} , V_{REGA} , undervoltage monitor	6
4.2	Internal oscillator	6
4.3	Pressure sensor signal path	7
4.3.1	Self-test functions	7
4.3.2	$\Sigma\Delta$ converter	8
4.3.3	Digital signal processor (DSP)	9
4.3.4	Temperature sensor	12
4.3.5	Common mode error detection signal chain	12
4.4	Inter-integrated circuit (I ² C) interface	13
4.4.1	I ² C bit transmissions	13
4.4.2	I ² C start condition	13
4.4.3	I ² C byte transmission	13
4.4.4	I ² C acknowledge and not acknowledge transmissions	14
4.4.5	I ² C stop condition	14
4.4.6	I ² C register transfers	15
4.4.7	I ² C timing diagram	17
4.5	Standard 32-bit SPI protocol	18
4.5.1	SPI command format	19
4.5.2	SPI response format	20
4.5.3	Command summary	20
4.5.4	Error checking	25
4.5.5	Exception handling	26
4.5.6	SPI timing diagram	28
4.6	User-accessible data array	28
4.7	Register information	31
4.7.1	COUNT - rolling counter register (address 00h)	31
4.7.2	Device status registers	31
4.7.3	TEMPERATURE - temperature register (address 0Eh)	34

4.7.4	DEVLOCK_WR - lock register writes register (address 10h)	34
4.7.5	WRITE_OTP_EN – write OTP enable register (address 11h)	35
4.7.6	UF_REGION_W, UF_REGION_R - UF region selection registers (address 14h, 15h) . . .	37
4.7.7	SOURCEID_x - source identification registers (address 1Ah, 1Bh)	38
4.7.8	SPI Configuration Control Register (SPI_CFG, Address 3Dh)	39
4.7.9	WHO_AM_I - who am I register (address 3Eh)	40
4.7.10	I2C_ADDRESS - I ² C client address register (address 3Fh)	40
4.7.11	DSP Configuration Registers (DSP_CFG_Ux)	40
4.7.12	INT_CFG - interrupt configuration register (address 45h)	43
4.7.13	P_INT_HI, P_INT_LO - interrupt window comparator threshold registers (address 46h to 49h)	43
4.7.14	P_CAL_ZERO - pressure calibration registers (address 4Ch, 4Dh)	44
4.7.15	DSP_STAT - DSP specific status register (address 60h)	44
4.7.16	DEVSTAT_COPY - device status copy register (address 61h)	44
4.7.17	SNSDATA0_L, SNSDATA0_H - sensor data #0 registers (address 62h, 63h)	45
4.7.18	SNSDATA1_L, SNSDATA1_H - sensor data #1 registers (address 64h, 65h)	45
4.7.19	SNSDATA0_TIME _x - timestamp registers (address 66h to 6Bh)	45
4.7.20	P_MAX, P_MIN - maximum and minimum absolute pressure value registers (address 6Ch to 6Fh)	46
4.7.21	FRT - free running timer registers (addresses 78h to 7Dh)	46
4.7.22	IC type register (address C0h)	47
4.7.23	IC manufacturer revision register (address C1h)	47
4.7.24	IC manufacturer identification register (address C2h)	47
4.7.25	Part number register (address C4h, C5h)	47
4.7.26	Device serial number registers	48
4.7.27	ASIC wafer ID registers	48
4.7.28	USERDATA_0 to USERDATA_E - user data registers	49
4.7.29	USERDATA_10 to USERDATA_1E - user data registers	49
4.7.30	Lock and CRC Registers	49
4.7.31	Reserved registers	50
4.7.32	Invalid register addresses	50
4.8	Read/write register array CRC verification	50
5	Maximum ratings	51
6	Operating range	52
7	Static characteristics	53
8	Dynamic characteristics	55
9	Media compatibility—pressure sensors only	58
10	Application information	59

11	Package outline60
12	Soldering63
13	Mounting recommendations66
14	References67
	Revision history68
	List of figures72
	List of tables73

List of figures

Figure 1.	Block diagram of FXPS7165Dx4S	4
Figure 2.	Pin configuration for 16-pin HQFN	5
Figure 3.	Voltage regulation and monitoring	6
Figure 4.	User-controlled P _{ABS} common mode self-test flowchart	7
Figure 5.	ΣΔ converter block diagram	8
Figure 6.	Signal chain diagram	9
Figure 7.	Sinc filter response	9
Figure 8.	800 Hz, 4-pole, low-pass filter response	10
Figure 9.	800 Hz, 4-pole output signal delay	10
Figure 10.	1000 Hz, 4-pole, low-pass filter response	11
Figure 11.	1000 Hz, 4-pole output signal delay	11
Figure 12.	Temperature sensor signal chain block diagram	12
Figure 13.	Common mode error detection signal chain block diagram	12
Figure 14.	I ² C bit transmissions	13
Figure 15.	I ² C start condition	13
Figure 16.	I ² C byte transmissions	14
Figure 17.	I ² C acknowledge and not acknowledge transmission	14
Figure 18.	I ² C stop condition	14
Figure 19.	I ² C timing diagram	17
Figure 20.	Standard 32 Bit SPI protocol timing diagram	18
Figure 21.	SPI data output verification	27
Figure 22.	SPI timing diagram	28
Figure 23.	I ² C application diagram of FXPS7165Dx4S	59
Figure 24.	SPI application diagram for FXPS7165Dx4S	59
Figure 25.	Package outline HQFN	60
Figure 26.	Package outline detail HQFN	61
Figure 27.	Package outline note HQFN	62
Figure 28.	PCB design guidelines - Solder mask opening pattern	63
Figure 29.	PCB design guidelines - I/O pads and solderable area	64
Figure 30.	PCB design guidelines - Solder paste stencil	65

List of tables

Table 1.	Package information.	3
Table 2.	Ordering options	3
Table 3.	Pin description.	5
Table 4.	Self-test control register	8
Table 5.	Self-test control bits for sense data fixed value verification	8
Table 6.	IIR low pass filter coefficients.	9
Table 7.	Scaling parameters	12
Table 8.	Temperature conversion variables	12
Table 9.	Sensor data register read wrap-around description.	16
Table 10.	SPI command format	19
Table 11.	SPI command summary	19
Table 12.	SPI response format.	20
Table 13.	Register read command message format	21
Table 14.	Register read command message bit field descriptions	21
Table 15.	Register read response message format	21
Table 16.	Register read response message bit field descriptions	21
Table 17.	Register write command message format	22
Table 18.	Register write command message bit field descriptions.	22
Table 19.	Register write response message format.	22
Table 20.	Register write response message bit field descriptions	22
Table 21.	Sensor data request command message format	23
Table 22.	Sensor data request command message bit field descriptions	23
Table 23.	Sensor data request response message format – 12 bit data length	23
Table 24.	Sensor data request response message bit field descriptions	23
Table 25.	Reserved command message format	24
Table 26.	Reserved command message bit field descriptions.	24
Table 27.	Reserved command response message format	24
Table 28.	Reserved command response message bit field descriptions.	24
Table 29.	SPI Command Message CRC	25
Table 30.	SPI Response Message CRC	25
Table 31.	Expected initial responses after t _{POR_DataValid} post POR	26
Table 32.	Expected initial responses after t _{POR_DataValid} post soft reset	26
Table 33.	Basic status field for responses to register commands	26
Table 34.	Detailed status bit field descriptions	27
Table 35.	User-accessible data — sensor specific information	28
Table 36.	COUNT - rolling counter register (address 00h) bit allocation	31
Table 37.	DEVSTAT - device status register (address 01h) bit allocation	31
Table 38.	DEVSTAT - device status register (address 01h) bit description	31
Table 39.	DEVSTAT1 - device status register (address 02h) bit allocation	32
Table 40.	DEVSTAT1 - device status register (address 02h) bit description	32
Table 41.	DEVSTAT2 - device status register (address 03h) bit allocation	33
Table 42.	DEVSTAT2 - device status register (address 03h) bit description	33
Table 43.	DEVSTAT3 - device status register (address 04h) bit allocation	34
Table 44.	DEVSTAT3 - device status register (address 04h) bit description	34
Table 45.	TEMPERATURE - temperature register (address 0Eh) bit allocation	34
Table 46.	DEVLOCK_WR - lock register writes register (address 10h) bit allocation	34
Table 47.	DEVLOCK_WR - lock register writes register (address 10h) bit description	35
Table 48.	Device reset command sequence	35
Table 49.	WRITE_OTP_EN – write OTP enable register – (address 11h) bit allocation	35
Table 50.	Writes for OTP registers	36
Table 51.	UF_REGION_W - UF region selection register (address 14h) bit allocation	37
Table 52.	UF_REGION_R - UF region selection register (address 15h) bit allocation	37
Table 53.	REGION_LOAD Bit Definitions	37



Table 54.	REGION_ACTIVE Bit Definitions	38
Table 55.	SOURCEID_0 - source identification register (address 1Ah) bit allocation	38
Table 56.	SOURCEID_1 - source identification register (address 1Bh) bit allocation	38
Table 57.	Source ID enable	39
Table 58.	SPI_CFG Register (address 3Dh) bit allocation	39
Table 59.	DATASIZE Bit Definition	39
Table 60.	SPI CRC Definition.	39
Table 61.	WHO_AM_I - device identification register (address 3Eh) bit allocation	40
Table 62.	WHO_AM_I register values	40
Table 63.	I2C_ADDRESS - I ² C client address register (address 3Fh) bit allocation	40
Table 64.	DSP_CFG_U1 - DSP user configuration #1 register (address 40h) bit allocation	40
Table 65.	Low-pass filter selection bits (LPF[3:0])	41
Table 66.	DSP_CFG_U3 - DSP user configuration #3 register (address 42h) bit allocation	41
Table 67.	DATATYPE0[1:0]	41
Table 68.	DATATYPE1[1:0]	41
Table 69.	DSP_CFG_U4 - DSP user configuration #4 register (address 43h) bit allocation	42
Table 70.	DSP_CFG_U4 - DSP user configuration #4 register (address 43h) bit description	42
Table 71.	DSP_CFG_U5 - DSP user configuration #5 register (address 44h) bit allocation	42
Table 72.	DSP_CFG_U5 - DSP user configuration #5 register (address 44h) bit description	42
Table 73.	Self-Test Control Bits (ST_CTRL[3:0]).	42
Table 74.	INT_CFG - interrupt configuration register (address 45h) bit allocation	43
Table 75.	INT_CFG - interrupt configuration register (address 45h) bit description	43
Table 76.	P_INT_HI, P_INT_LO - interrupt window comparator threshold registers (address 46h to 49h) bit allocation	43
Table 77.	P_CAL_ZERO - pressure calibration registers (address 4Ch, 4Dh) bit allocation	44
Table 78.	DSP_STAT - DSP-specific status register (address 60h) bit allocation.	44
Table 79.	DSP_STAT - DSP-specific status register (address 60h) bit description.	44
Table 80.	DEVSTAT_COPY - device status copy register (address 61h) bit allocation	45
Table 81.	SNSDATA0_L, SNSDATA0_H - sensor data #0 registers (addresses 62h, 63h) bit allocation	45
Table 82.	SNSDATA1_L, SNSDATA1_H - sensor data #1 registers (address 64h, 65h) bit allocation.	45
Table 83.	SNSDATA0_TIME _x - timestamp register (address 66h to 6Bh) bit allocation	46
Table 84.	P_Max and P_Min registers (address 6Ch to 6Fh) bit allocation	46
Table 85.	FRT - free running timer registers (addresses 78h to 7Dh) bit allocation	46
Table 86.	IC TYPE REGISTER (ICTYPEID address C0h) bit allocation	47
Table 87.	IC MANUFACTURER REVISION REGISTER (ICREVID address C1h) bit allocation.	47
Table 88.	IC MANUFACTURER IDENTIFICATION REGISTER (ICMFGID address C2h) bit allocation	47
Table 89.	PN0 Register (address C4h) bit allocation.	47
Table 90.	PN1 Register (address C5h) bit allocation.	47
Table 91.	SN0 Register (address C6h) bit allocation.	48
Table 92.	SN1 Register (address C7h) bit allocation.	48
Table 93.	SN2 Register (address C8h) bit allocation.	48
Table 94.	SN3 Register (address C9h) bit allocation.	48
Table 95.	SN4 Register (address CAh) bit allocation.	48
Table 96.	ASICWFR# Register (address CBh) bit allocation.	48
Table 97.	ASICWFR_X Register (address CCh) bit allocation	49
Table 98.	ASICWFR_Y Register (address CDh) bit allocation	49
Table 99.	ASICWLOT_L Register (address D0h) bit allocation	49
Table 100.	ASICWLOT_H Register (address D1h) bit allocation.	49
Table 101.	Lock and CRC Register bit definitions.	49
Table 102.	Maximum ratings	51
Table 103.	Electrical characteristics — supply and I/O	52
Table 104.	Static characteristics	53
Table 105.	Dynamic characteristics	55
Table 106.	External component recommendations for I ² C	59
Table 107.	External component recommendations for SPI.	59
Table 108.	Document revision history	68

IMPORTANT NOTICE – READ CAREFULLY

STMicroelectronics NV and its subsidiaries (“ST”) reserve the right to make changes, corrections, enhancements, modifications, and improvements to ST products and/or to this document at any time without notice.

In the event of any conflict between the provisions of this document and the provisions of any contractual arrangement in force between the purchasers and ST, the provisions of such contractual arrangement shall prevail.

The purchasers should obtain the latest relevant information on ST products before placing orders. ST products are sold pursuant to ST’s terms and conditions of sale in place at the time of order acknowledgment.

The purchasers are solely responsible for the choice, selection, and use of ST products and ST assumes no liability for application assistance or the design of the purchasers’ products.

No license, express or implied, to any intellectual property right is granted by ST herein.

Resale of ST products with provisions different from the information set forth herein shall void any warranty granted by ST for such product.

If the purchasers identify an ST product that meets their functional and performance requirements but that is not designated for the purchasers’ market segment, the purchasers shall contact ST for more information.

ST and the ST logo are trademarks of ST. For additional information about ST trademarks, refer to www.st.com/trademarks. All other product or service names are the property of their respective owners.

Information in this document supersedes and replaces information previously supplied in any prior versions of this document.

© 2026 STMicroelectronics – All rights reserved