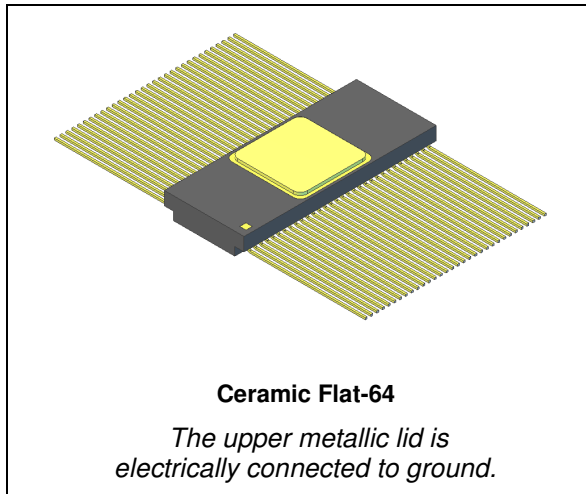


## Rad-hard, dual 4x4 crosspoint switch LVDS

Datasheet - production data



- Guaranteed up to 300 krad TID
- SEL immune up to 135 MeV.cm<sup>2</sup>/mg
- SET/SEU immune up to 22 MeV.cm<sup>2</sup>/mg

### Description

The RHFLVDS2281 is an 8-channel, 4x4 crosspoint switch base, on low voltage differential signaling (LVDS) for low-power and high-speed communications. The two 4x4 multiplexers allow connection from any of the four inputs to any of the four outputs.

Packaged and qualified for use in aerospace environments in a low-power, fast-transmission standard, the RHFLVDS2281 operates at 3.3 V power supply (3.6 V max. operating and 4.8 V AMR) and a common mode of -4 V to +5 V. The LVDS outputs operate over a controlled impedance of 100-ohm transmission media that may be printed circuit board traces, back planes, or cables.

The circuit features an internal fail-safe function to ensure a known state in case of an input short circuit or a floating input.

All pins have cold spare buffers to ensure they are in high impedance when  $V_{CC}$  is tied to GND. The RHFLVDS2281 can operate over a wide temperature range of -55 °C to +125 °C and it is housed in an hermetic Ceramic Flat-64 package.

### Features

- LVDS input/output
- Multiple configuration: Mux, repeater and splitter
- ANSI TIA/EIA-644 compliant
- 400 Mbps LVDS (200 MHz)
- 200 MHz clock channel
- Cold spare on all pins
- Fail-safe function
- 3.3 V operating power supply
- 4.8 V absolute rating
- Hermetic package
- Power consumption: 220 mW at 3.3 V
- Large input common mode: -4 V to +5 V

**Table 1. Device summary**

Reference	SMD pin	Quality level	Package	Lead finish	Mass	EPPL <sup>(1)</sup>	Temp. range
RHFLVDS2281K1	-	Engineering model	Ceramic Flat-64	Gold	1.94 g	-	-55 °C to 125 °C
RHFLVDS2281K01V	5962F1423401	QML-V flight				Target	

1. EPPL = ESA preferred part list

# Contents

1	<b>Functional description</b> .....	3
2	<b>Internal schematic and pin configuration</b> .....	4
3	<b>Maximum ratings and operating conditions</b> .....	6
4	<b>Electrical characteristics</b> .....	7
5	<b>Test circuit</b> .....	11
6	<b>Package information</b> .....	13
	6.1 Ceramic Flat-64 package information .....	14
7	<b>Ordering information</b> .....	15
8	<b>Shipping information</b> .....	15
9	<b>Revision history</b> .....	16

# 1 Functional description

**Table 2. Mux truth table**

SL1	SL2	SL3	SL4	OUT1	OUT2	OUT3	OUT4	Mode
0	0	0	0	IN1	IN1	IN3	IN3	Splitter
0	0	0	1	IN1	IN1	IN3	IN4	Splitter/repeater
0	0	1	0	IN1	IN1	IN1	IN1	Splitter
0	0	1	1	IN1	IN1	IN4	IN4	
0	1	0	0	IN1	IN2	IN3	IN3	Splitter/repeater
0	1	0	1	IN1	IN2	IN3	IN4	Repeater
0	1	1	0	IN1	IN2	IN4	IN3	Repeater/switch
0	1	1	1	IN1	IN2	IN4	IN4	Splitter/repeater
1	0	0	0	IN2	IN2	IN2	IN2	Splitter
1	0	0	1	IN2	IN1	IN3	IN4	Switch/repeater
1	0	1	0	IN2	IN1	IN4	IN3	Switch
1	0	1	1	IN3	IN3	IN3	IN3	Splitter
1	1	0	0	IN2	IN2	IN3	IN3	
1	1	0	1	IN2	IN2	IN3	IN4	Splitter/repeater
1	1	1	0	IN4	IN4	IN4	IN4	Splitter
1	1	1	1	IN2	IN2	IN4	IN4	

- Note: 1 A floating SL pin is equivalent to a low logic level  
 2 Channels 5, 6, 7, and 8 behave like channels 1, 2, 3 and 4 respectively (see also [Figure 2](#))

**Table 3. Enable (EN) truth table**

EN	Inputs	Outputs	
	(IN+) - (IN-)	OUT+	OUT-
L	X	Z	Z
H or floating (internal pull-up)	$V_{id} \geq 0.1 \text{ V}$	H	L
	$V_{id} \leq -0.1 \text{ V}$	L	H
	$-0.1 \text{ V} < V_{id} < +0.1 \text{ V}$	Unknown	
	Full fail-safe open/short or terminated	H	L

Note:  $V_{id} = (V_{IN+}) - (V_{IN-})$ , L = low level, H = high level, X = don't care, Z = high impedance

## 2 Internal schematic and pin configuration

Figure 1. Internal schematic

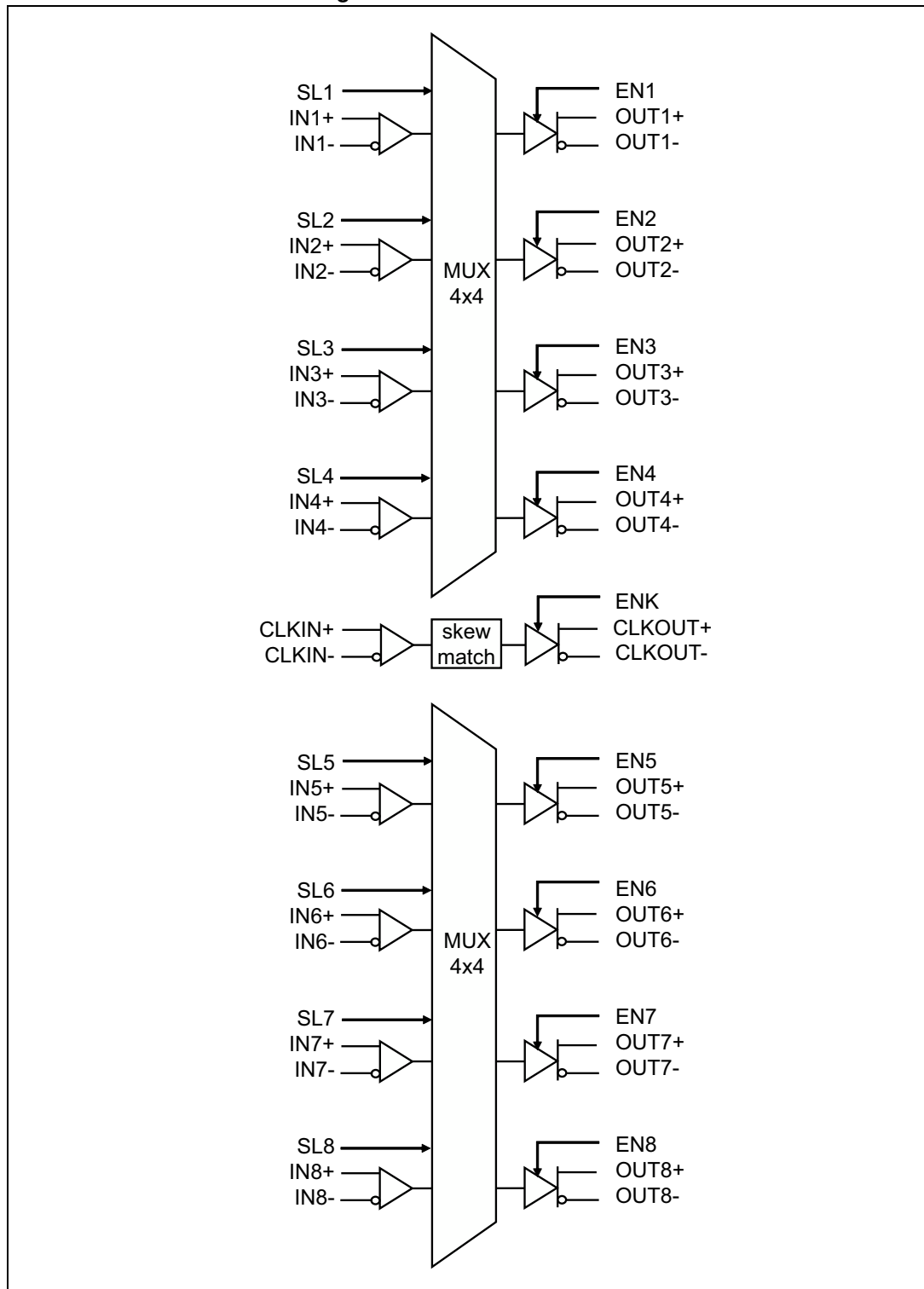
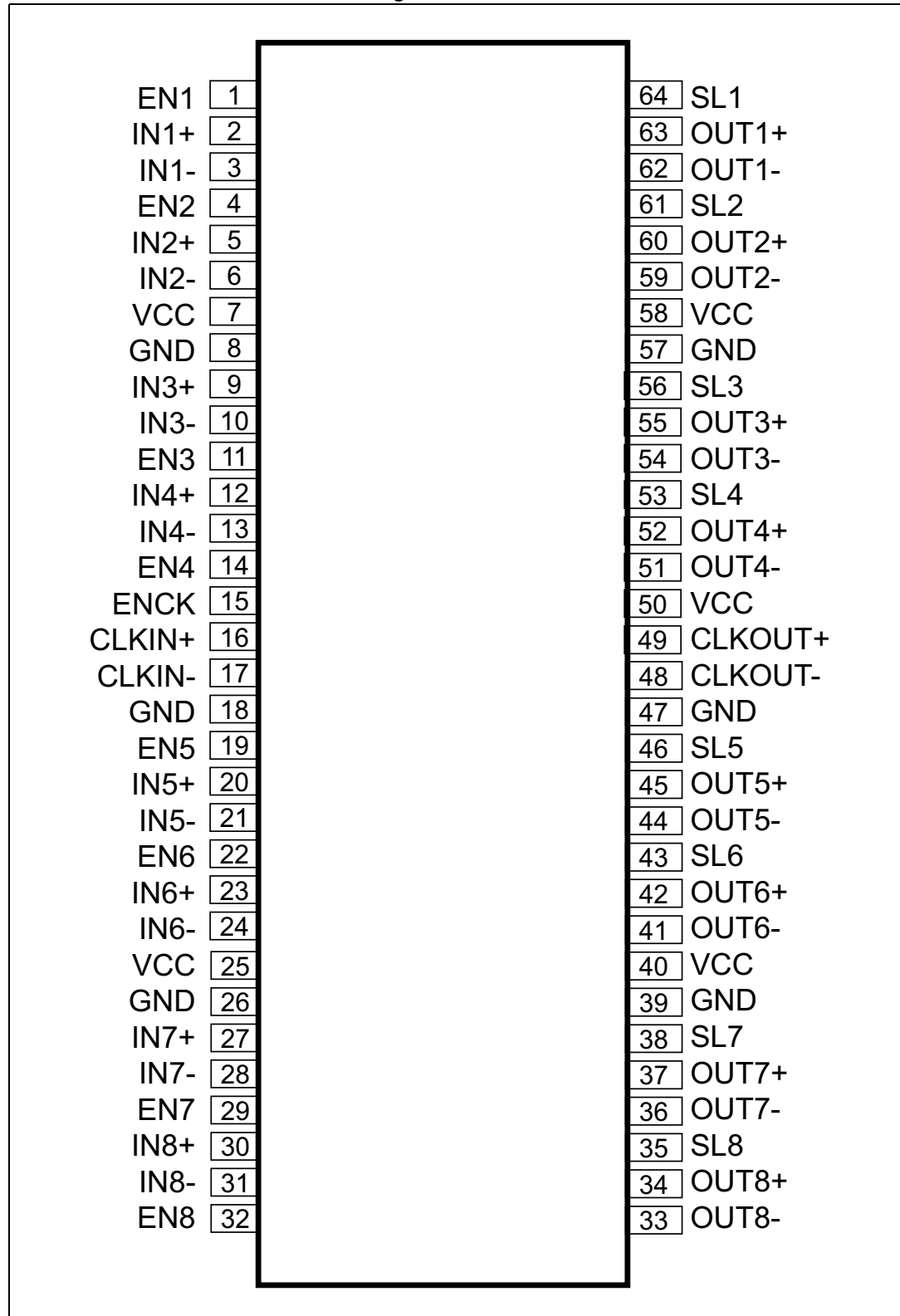


Figure 2. Pinout



1. Power supplies are not internally separated. All Vcc pins must be connected to the same potential.

### 3 Maximum ratings and operating conditions

Absolute maximum ratings are those values beyond which damage to the device may occur. Functional operation under these conditions is not implied.

**Table 4. Absolute maximum ratings**

Symbol	Parameter	Value	Unit
$V_{CC}$	Supply voltage <sup>(1)</sup>	4.8	V
$V_i$	TTL inputs (operating or cold-spare)	-0.3 to +4.8	
$V_{OUT}$	LVDS outputs (operating or coldspare)	-0.3 to +4.8	
$V_{IN}$	LVDS inputs (operating or cold-spare)	-5 to +6	
$V_{ID}$	Differential amplitude on LVDS input (operating or cold-spare)	1	
$T_{stg}$	Storage temperature range	-65 to +150	°C
$T_j$	Maximum junction temperature	+150	
$R_{thjc}$	Thermal resistance junction to case <sup>(2)</sup>	20	°C/W
ESD	HBM: Human body model – All pins excepted LVDS inputs and outputs – LVDS inputs and outputs vs. GND	2 8	kV
	CDM: Charge device model	500	V

1. All voltages, except the differential I/O bus voltage, are with respect to the network ground terminal.
2. Short-circuits can cause excessive heating. Destructive dissipation can result from short-circuits on the amplifiers.

**Table 5. Operating conditions**

Symbol	Parameter	Min.	Typ.	Max.	Unit
$V_{CC}$	Supply voltage	3	3.3	3.6	V
$V_{CM}$	Static common mode	- 4		+ 5	
$T_A$	Ambient temperature range	-55		+125	°C

## 4 Electrical characteristics

### Total dose (MIL-STD-883 TM 1019)

The products guaranteed in radiation within the RHA QML-V system fully comply with the MIL-STD-883 TM 1019 specification.

The RHFLVDS2281 is RHA QML-V, tested and characterized in full compliance with the MIL-STD-883 specification, between 50 and 300 rad/s only (full CMOS technology).

All parameters provided in [Table 7: Electrical characteristics table](#) apply to both pre- and post-irradiation, as follows:

- All test are performed in accordance with MIL-PRF-38535 and test method 1019 of MIL-STD-883 for total ionizing dose (TID).
- The initial characterization is performed in qualification only on both biased and unbiased parts.
- Each wafer lot is tested at high dose rate only, in the worst bias case condition, based on the results obtained during the initial qualification.

### Heavy ions

The behavior of the product when submitted to heavy ions is not tested in production. Heavy-ion trials are performed on qualification lots only.

**Table 6. Radiations**

Type	Characteristics	Value	Unit
TID	High-dose rate (50 - 300 rad/sec)	300	krad
Heavy ions	SEL immunity up to: (with a particle angle of 60 °, at 125 °C)	135	MeV.cm <sup>2</sup> /mg
	SEL immunity up to: (with a particle angle of 0 °, at 125 °C)	67	
	SET/SEU immunity up to: (at 25 °C)	22	

In [Table 7](#) below,  $V_{CC} = 3\text{ V to }3.6\text{ V}$ , capa-load (CL) = 10 pF, typical values are at  $T_{amb} = +25\text{ }^{\circ}\text{C}$ , min. and max values are at  $T_{amb} = -55\text{ }^{\circ}\text{C}$  and  $+125\text{ }^{\circ}\text{C}$  unless otherwise specified.

Table 7. Electrical characteristics table

Symbol	Parameter	Test conditions	Min.	Typ.	Max.	Unit
<b>Whole circuit</b>						
$I_{CCL}$	Total enabled supply current, drivers and receivers enabled, not switching	$V_{ID} = 400\text{ mV}$ and load = $100\ \Omega$ on all channels		67	80	mA
$I_{CCZ}$	Total disabled supply current, loaded or not loaded, drivers and receivers disabled	$V_{ID} = 400\text{ mV}$ EN and ENCK = GND			20	
<b>Digital inputs EN, ENCK, and SL</b>						
$V_{IH}$	Input voltage high		2		$V_{CC}$	V
$V_{IL}$	Input voltage low		GND		0.8	
$I_{IH}$	High level input current	$V_{CC} = 3.6\text{ V}$ , $V_{IN} = V_{CC}$	-10		10	$\mu\text{A}$
$I_{IL}$	Low level input current	$V_{CC} = 3.6\text{ V}$ , $V_{IN} = 0$	-10		10	
$I_{OFF}$	TTL inputs power off leakage current	$V_{CC} = 0\text{ V}$ , EN and SL = $3.6\text{ V}$	-10		10	
<b>LVDS inputs</b>						
$V_{TL}$	Differential input low threshold	$V_{CM} = 1.2\text{ V}$			-100	mV
		$-4\text{ V} < V_{CM} < +5\text{ V}$			-130	
$V_{TH}$	Differential input high threshold	$V_{CM} = 1.2\text{ V}$	+100			
		$-4\text{ V} < V_{CM} < +5\text{ V}$	+130			
$V_{CL}$	TTL input clamp voltage	$I_{CL} = 18\text{ mA}$			1.5	V
$V_{CMR}$	Common mode voltage range	$V_{ID} = 200\text{ mVp-p}$	-4		+5	
$V_{CMREJ}^{(1)}$	Common mode rejection <sup>(1)</sup>	$F = 10\text{ MHz}$			300	mVp-p
$I_{ID}$	Differential input current	$V_{ID} = 400\text{ mVp-p}$	-10		10	$\mu\text{A}$
$I_{ICM}$	Common mode input current	$V_{IC} = -4\text{ V to }+5\text{ V}$	-70		70	
$I_{OFFIN}^{(2)}$	LVDS input power-off leakage current <sup>(2)</sup>	$V_{CC} = 0\text{ V}$ , $V_{IN} = -4\text{ V to }5\text{ V}$	-60		60	
$C_{IN}$	Input capacitance			3		pF
<b>LVDS outputs</b>						
$V_{OH}$	Output voltage high				1.65	V
$V_{OL}$	Output voltage low		0.925			
$V_{OD}$	Differential output voltage		250		400	mV
$DV_{OD}$	Change of magnitude of $V_{OD}$ for complementary output states				10	
$V_{OS}$	Offset voltage		1.125		1.45	V



Table 7. Electrical characteristics table (continued)

Symbol	Parameter	Test conditions	Min.	Typ.	Max.	Unit
$DV_{OS}$	Change of magnitude of $V_{OS}$ for complementary output states				25	mV
$I_{OS}$	Output short-circuit current	$V_{ID} = -400$ mV and $V_{OUT-} = 0$ V $V_{ID} = +400$ mV and $V_{OUT+} = 0$ V	-9			mA
$I_{OZ}$	High impedance output current	Disabled, $V_{OUT} = 3.6$ V or 0V	-10		10	$\mu$ A
$I_{OFFOUT}$	LVDS outputs power-off leakage current	$V_{CC} = 0$ V, $V_{OUT} = 3.6$ V	-50		+50	
$T_S$	Input to SL setup time <sup>(3)</sup>	Refer to <a href="#">Figure 5</a>	1.6			ns
$T_H$	Input to SL Hold time <sup>(3)</sup>		1.5			
$T_{Sw}$	SL to Switched output <sup>(3)</sup>				5	
$t_{PHLD}$	Propagation delay time, high to low	$V_{ID} = 200$ mVp-p, input pulse from 1.1 V to 1.3 V, $V_{CM}=1.2$ V Load: refer to <a href="#">Figure 3</a>	1.5		4	
$t_{PLHD}$	Propagation delay time, low to high		1.5		4	
$t_{SK1}$	Channel to channel skew <sup>(3)(4)</sup>	$V_{ID} = 200$ mVp-p Load: refer to <a href="#">Figure 6</a>			0.6	
$t_{SK2}$	Chip to chip skew <sup>(3)(5)</sup>				0.7	
$t_{SKD}$	Differential skew <sup>(6)</sup> ( $t_{PHLD}-t_{PLHD}$ )				0.6	
$t_r$	Output signal rise time	Refer to <a href="#">Figure 4</a>		0.9		
$t_f$	Output signal fall time			0.9		
$t_{PLZ}$	Propagation delay time, low level to high impedance output	Refer to <a href="#">Figure 6</a>			2.8	
$t_{PHZ}$	Propagation delay time, high level to high impedance output				2.8	
$t_{PZH}$	Propagation delay time, high impedance to high level output				2.5	
$t_{PZL}$	Propagation delay time, high impedance to low level output				2.5	
<b>Fail-safe and cold-spare</b>						
$t_{D1}$	Fail-safe to active time			1		$\mu$ s
$t_{D2}$	Active to fail-safe time			1		

- Guaranteed by characterization on bench.
- All pins are floating except pin under test and  $V_{CC}$ .
- Guaranteed by design.
- $t_{SK1}$  is the maximum delay time difference between drivers on the same device (with all inputs connected together).
- $t_{SK2}$  is the maximum delay time difference between outputs of all devices when they operate with the same supply voltage, at the same temperature.
- $t_{SKD}$  is the maximum delay time difference between  $t_{PHLD}$  and  $t_{PLHD}$  (see [Figure 4](#)).

**Cold sparing**

The RHFLVDS2281 features a cold spare input and output buffer. In high reliability applications, cold sparing enables a redundant device to be tied to the data bus with its power supply at 0 V ( $V_{CC} = GND$ ) without affecting the bus signals or injecting current from the I/Os to the power supplies. Cold sparing also allows redundant devices to be kept powered off so that they can be switched on only when required. This has no impact on the application. Cold sparing is achieved by implementing a high impedance between the I/Os and  $V_{CC}$ . ESD protection is ensured through a non-conventional dedicated structure.

**Fail-safe**

In many applications, inputs need a fail-safe function to avoid an uncertain output state when the inputs are not connected properly. In case of an LVDS input short circuit or floating inputs, the LVDS outputs remain in stable logic-high state.

# 5 Test circuit

Figure 3. Voltage and current definition

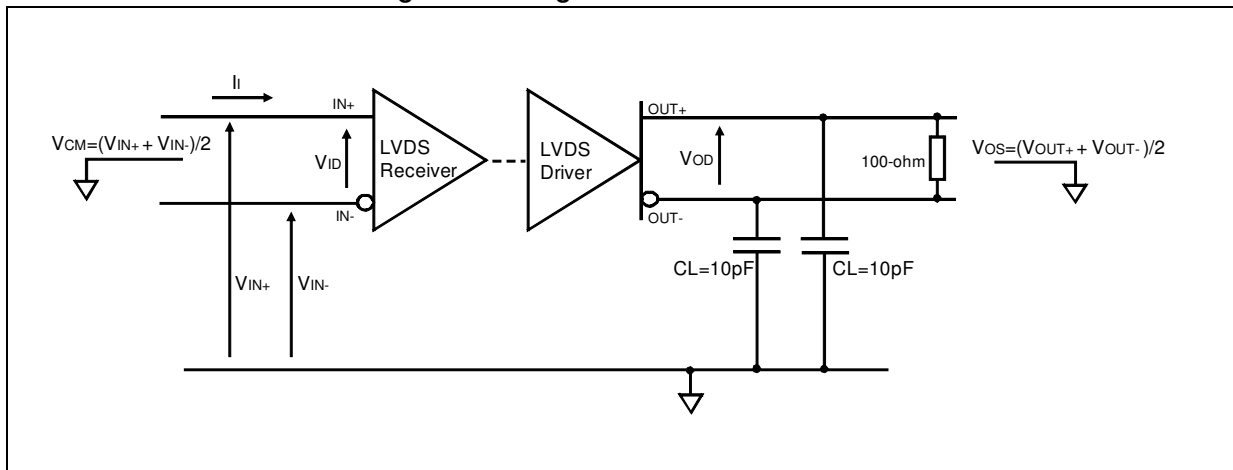
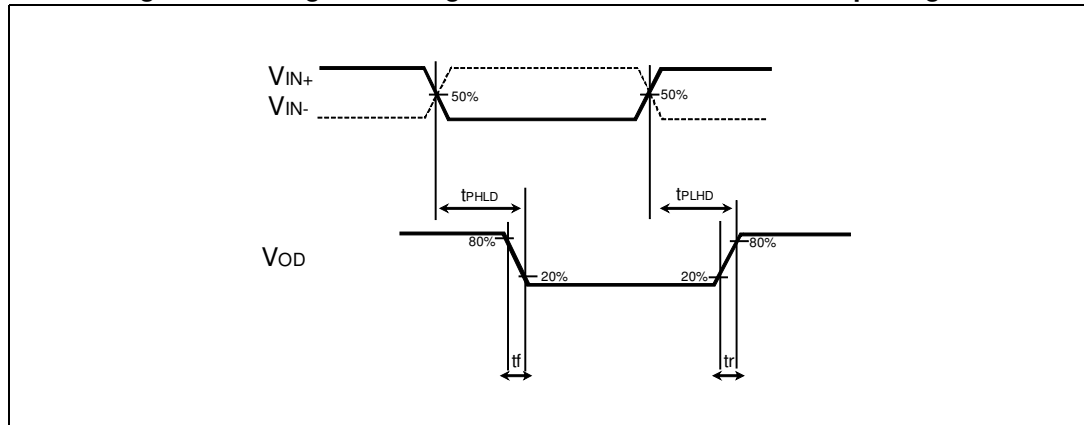


Figure 4. Timing and voltage definitions for differential output signal



1. All input pulses are supplied by a generator with the following characteristics:  $t_r$  or  $t_f \leq 1$  ns,  $f = 1$  MHz,  $Z_O = 50 \Omega$ , and duty cycle = 50%.
2. The product is guaranteed with  $C_L = 10$  pF.

Figure 5. MUX switch timings

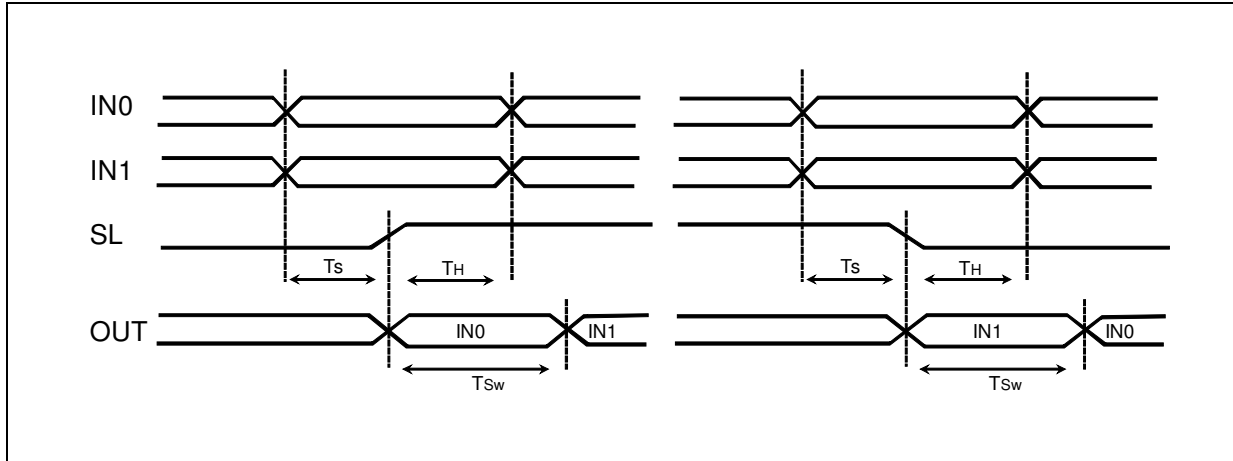
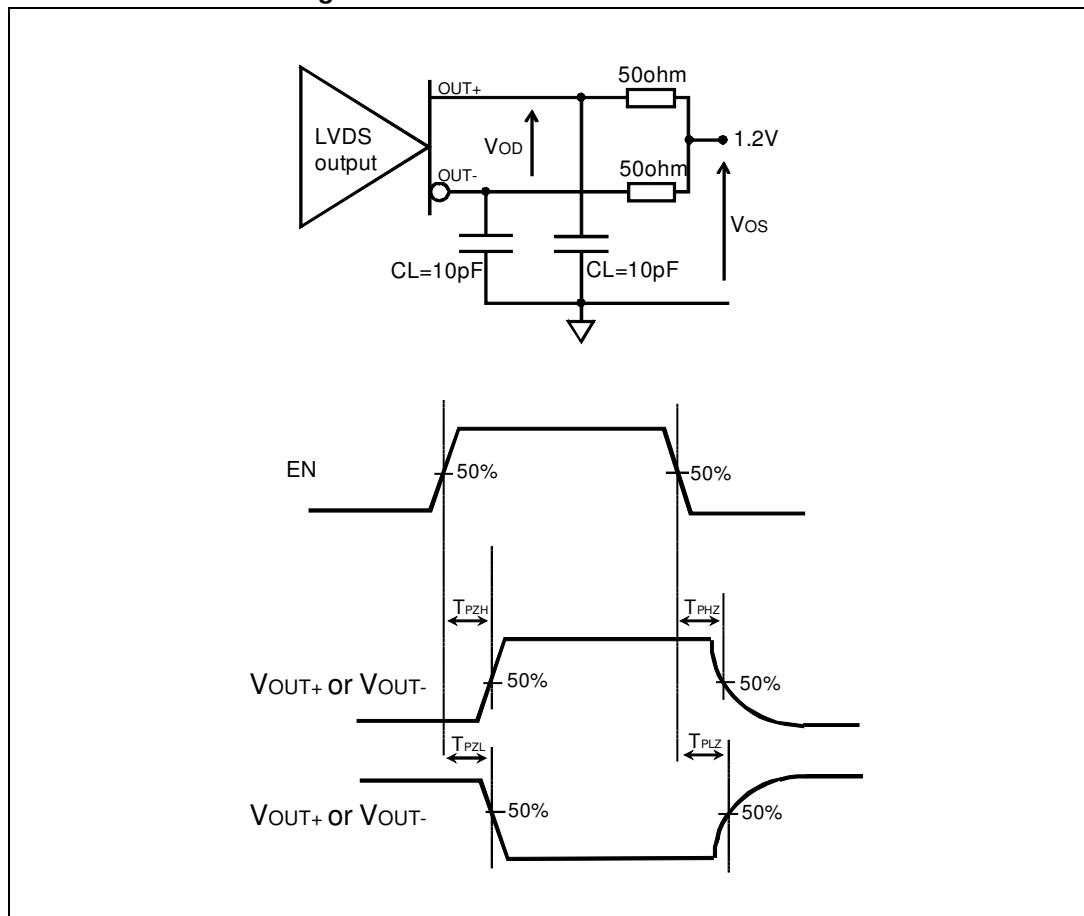


Figure 6. Enable and disable waveforms



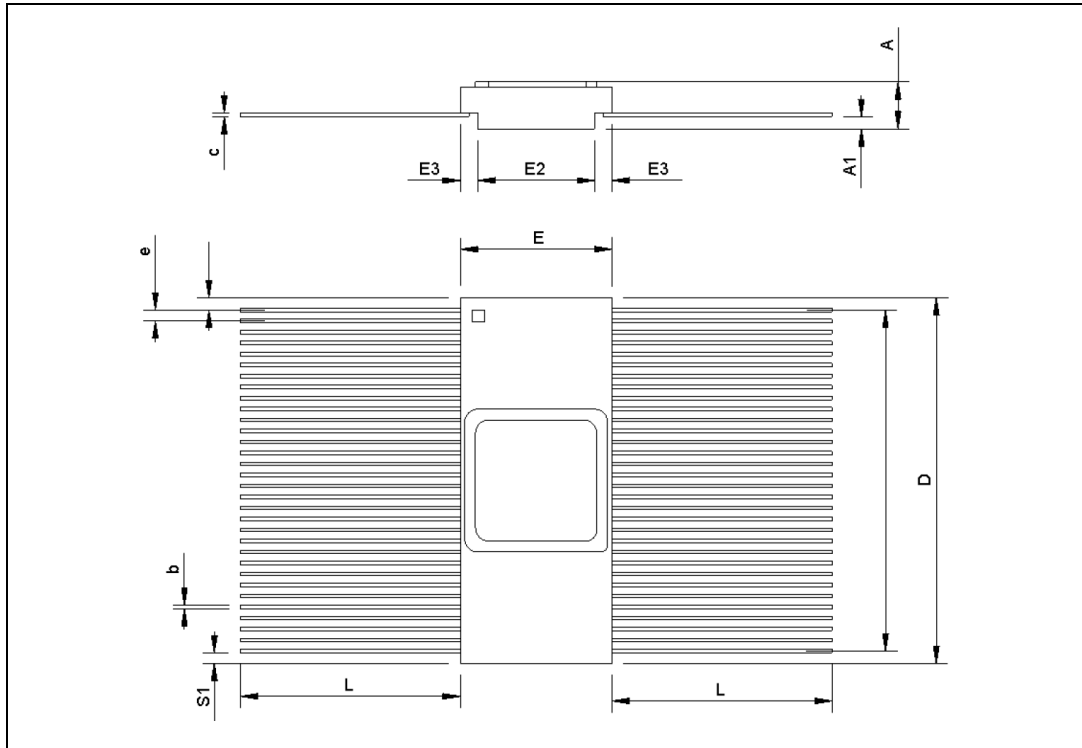
1. All input pulses are supplied by a generator with the following characteristics on EN:  $t_r$  or  $t_f \leq 1$  ns,  $F = 500$  kHz, pulse width = 500 ns.

## 6 Package information

In order to meet environmental requirements, ST offers these devices in different grades of ECOPACK packages, depending on their level of environmental compliance. ECOPACK specifications, grade definitions, and product status are available at: [www.st.com](http://www.st.com). ECOPACK is an ST trademark.

## 6.1 Ceramic Flat-64 package information

Figure 7. Ceramic Flat 64 package mechanical drawing



1. The upper metallic lid is electrically connected to ground.

Table 8. Ceramic Flat 64 package mechanical data

Ref.	Dimensions					
	Millimeters			Inches		
	Min.	Typ.	Max.	Min.	Typ.	Max.
A	2.41	2.66	2.92	0.095	0.105	0.115
A1	0.33	-	-	0.013	-	-
b	0.18	0.2	0.23	0.007	0.008	0.009
c	0.15	0.2	0.25	0.006	0.008	0.010
D	20.91	21.11	21.31	0.823	0.831	0.839
E	8.64	8.76	8.89	0.340	0.345	0.350
E2	6.57	6.72	6.87	0.259	0.265	0.270
E3	-	1.02	-	-	0.040	-
e	-	0.635	-	-	0.025	-
L	12.45	12.7	12.95	0.49	0.5	0.51
S1	-	0.61	-	-	0.024	-

## 7 Ordering information

Table 9. Order codes

Order code	Description	Temp. range	Package	Marking <sup>(1)</sup>	Packing
RHFLVDS2281K1	Engineering model	-55 °C to 125 °C	Ceramic Flat-64	RHFLVDS2281K1	Strip pack
RHFLVDS2281K01V	QML-V flight			5962F1423401VXC	

1. Specific marking only. Complete marking includes the following:
- SMD pin (on QML-V flight only)
  - ST logo
  - Date code (date the package was sealed) in YYWWA (year, week, and lot index of week)
  - QML logo (Q or V)
  - Country of origin (FR = France).

*Note:* Contact your ST sales office for information regarding the specific conditions for products in die form and QML-Q versions.

## 8 Shipping information

### Date code

The date code is structured as follows:

- Engineering model: EM xyywwz
- QML flight model: FM yywwz

Where:

x = 3 (EM only), assembly location Rennes (France)

yy = last two digits of the year

ww = week digits

z = lot index of the week

## 9 Revision history

Table 10. Document revision history

Date	Revision	Changes
04-Mar-2015	1	Initial release.
10-Nov-2023	2	Added $V_{IN}$ and $V_{ID}$ in <a href="#">Table 4: Absolute maximum ratings</a> .



**IMPORTANT NOTICE – PLEASE READ CAREFULLY**

STMicroelectronics NV and its subsidiaries (“ST”) reserve the right to make changes, corrections, enhancements, modifications, and improvements to ST products and/or to this document at any time without notice. Purchasers should obtain the latest relevant information on ST products before placing orders. ST products are sold pursuant to ST’s terms and conditions of sale in place at the time of order acknowledgement.

Purchasers are solely responsible for the choice, selection, and use of ST products and ST assumes no liability for application assistance or the design of Purchasers’ products.

No license, express or implied, to any intellectual property right is granted by ST herein.

Resale of ST products with provisions different from the information set forth herein shall void any warranty granted by ST for such product.

ST and the ST logo are trademarks of ST. For additional information about ST trademarks, please refer to [www.st.com/trademarks](http://www.st.com/trademarks). All other product or service names are the property of their respective owners.