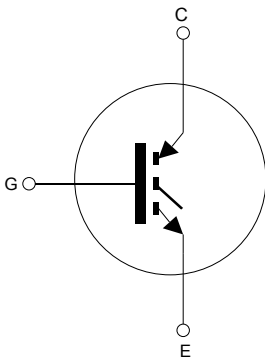


Trench gate field-stop 1700 V, 50 A low loss M series IGBT die in D7 packing



EGCD

Features

- Low $V_{CE(sat)} = 2\text{ V (typ.) @ } I_C = 50\text{ A}$
- 10 μs of short-circuit withstand time
- Minimized tail current
- Tight parameter distribution
- Positive $V_{CE(sat)}$ temperature coefficient

Applications

- Industrial motor control
- Industrial drives

Description

This device is an IGBT developed using an advanced proprietary trench gate field-stop structure. The device is part of the M series IGBTs, which represent an optimal balance between inverter system performance and efficiency where the low-loss and the short-circuit functionality is essential. Furthermore, the positive $V_{CE(sat)}$ temperature coefficient and the tight parameter distribution result in safer paralleling operation.



Product status link

[STG50M170F3D7](#)

Product summary

Order code	STG50M170F3D7
V_{CE}	1700 V
I_{CN}	50 A
Die size	8.22 x 8.23 mm
Packing	D7

1 Mechanical parameters

Table 1. Mechanical parameters

Symbol		Value	Unit
Die size including scribe line		8.22 x 8.23	mm
Wafer size		200	mm
Maximum possible dice per wafer		384	dice
Die thickness		175	µm
Front side passivation		Silicon nitride	
Emitter pad size including gate pad (x2)		7.00 x 3.38	mm
Gate pad size		1.18 x 1.17	mm
Front side metallization	composition	AlCu	
	thickness	4.5	µm
Back side metallization	composition	Al/Ti/NiV/Ag	
	thickness	0.65	µm
Die bond		Electrically conductive glue or soft solder	
Recommended wire bonding		≤ 500	µm

2 Electrical ratings

$T_J = 25\text{ °C}$ unless otherwise specified.

Table 2. Absolute maximum ratings

Symbol	Parameter	Value	Unit
V_{CES}	Collector-emitter voltage ($V_{GE} = 0\text{ V}$)	1700	V
V_{GE}	Gate-emitter voltage	± 20	V
$I_{CN}^{(1)}$	Continuous collector current at $T = 100\text{ °C}$	50	A
$I_{CP}^{(2)}$	Pulsed collector current	150	A
$t_{SC}^{(3)}$	Short circuit withstand time ($V_{CC} = 1000\text{ V}$, $V_{GE} = \pm 15\text{ V}$, $V_{CE}(\text{peak}) \leq 1700\text{ V}$, $T_{J\text{start}} = 125\text{ °C}$)	10	μs
T_J	Operating junction temperature range	-55 to 150	$^{\circ}\text{C}$

1. Nominal collector current for die packaged in ST discrete solution. Current level depends on the assembly thermal properties and is limited by maximum junction temperature.
2. Pulse width is limited by maximum junction temperature. Specified by design, not tested in production.
3. Evaluated by characterization, not tested in production.

3 Electrical characteristics

Table 3. Static characteristics (tested on wafer unless otherwise specified)

Symbol	Parameter	Test conditions	Min.	Typ.	Max.	Unit
$V_{(BR)CES}$	Collector-emitter breakdown voltage	$I_C = 1 \text{ mA}$, $V_{GE} = 0 \text{ V}$	1700			V
$V_{CE(sat)}$	Collector-emitter saturation voltage	$V_{GE} = 15 \text{ V}$, $I_C = 15 \text{ A}$			1.9	V
$V_{GE(th)}$	Gate threshold voltage	$V_{CE} = V_{GE}$, $I_C = 1 \text{ mA}$	5	6	7	V
I_{CES}	Collector cut-off current	$V_{GE} = 0 \text{ V}$, $V_{CE} = 1700 \text{ V}$			25	μA
I_{GES}	Gate-emitter leakage current	$V_{CE} = 0 \text{ V}$, $V_{GE} = \pm 20 \text{ V}$			± 250	nA

Table 4. Electrical characteristics (evaluated by characterization, not tested in production)

Symbol	Parameter	Test conditions	Min.	Typ.	Max.	Unit
$V_{CE(sat)}$	Collector-emitter saturation voltage	$V_{GE} = 15 \text{ V}$, $I_C = 50 \text{ A}$	-	2	2.6	V
		$V_{GE} = 15 \text{ V}$, $I_C = 50 \text{ A}$, $T_J = 150 \text{ }^\circ\text{C}$	-	2.4		V
C_{ies}	Input capacitance	$V_{CE} = 25 \text{ V}$, $f = 1 \text{ MHz}$, $V_{GE} = 0 \text{ V}$	-	4100		pF
C_{oes}	Output capacitance		-	252		pF
C_{res}	Reverse transfer capacitance		-	130		pF
R_G	Integrated gate resistance	$f = 1 \text{ MHz}$	-	11.5		Ω
Q_g	Total gate charge	$V_{CC} = 1360 \text{ V}$, $I_C = 50 \text{ A}$, $V_{GE} = 0 \text{ to } 15 \text{ V}$	-	225		nC

Table 5. Switching characteristics on inductive load (evaluated by characterization, not tested in production)

Symbol	Parameter	Test conditions	Min.	Typ.	Max.	Unit
$t_{d(on)}$	Turn-on delay time	$V_{CC} = 900 \text{ V}$, $I_C = 50 \text{ A}$, $V_{GE} = \pm 15 \text{ V}$, $R_G = 8.2 \text{ } \Omega$	-	140	-	ns
t_r	Current rise time		-	25	-	ns
$t_{d(off)}$	Turn-off delay time		-	248	-	ns
t_f	Current fall time		-	463	-	ns
$E_{off}^{(1)}$	Turn-off switching energy		-	10	-	mJ
$t_{d(on)}$	Turn-on delay time	$V_{CC} = 900 \text{ V}$, $I_C = 50 \text{ A}$, $V_{GE} = \pm 15 \text{ V}$, $R_G = 8.2 \text{ } \Omega$, $T_J = 150 \text{ }^\circ\text{C}$	-	141.5	-	ns
t_r	Current rise time		-	27	-	ns
$t_{d(off)}$	Turn-off delay time		-	263	-	ns
t_f	Current fall time		-	618	-	ns
$E_{off}^{(1)}$	Turn-off switching energy		-	12.4	-	mJ

1. Including the tail of the collector current.

Note: The aforementioned values are not tested at chip level and are strongly dependent on the package/module design and the mounting technology.

4 Die layout

Figure 1. Die drawing (dimensions are in mm)

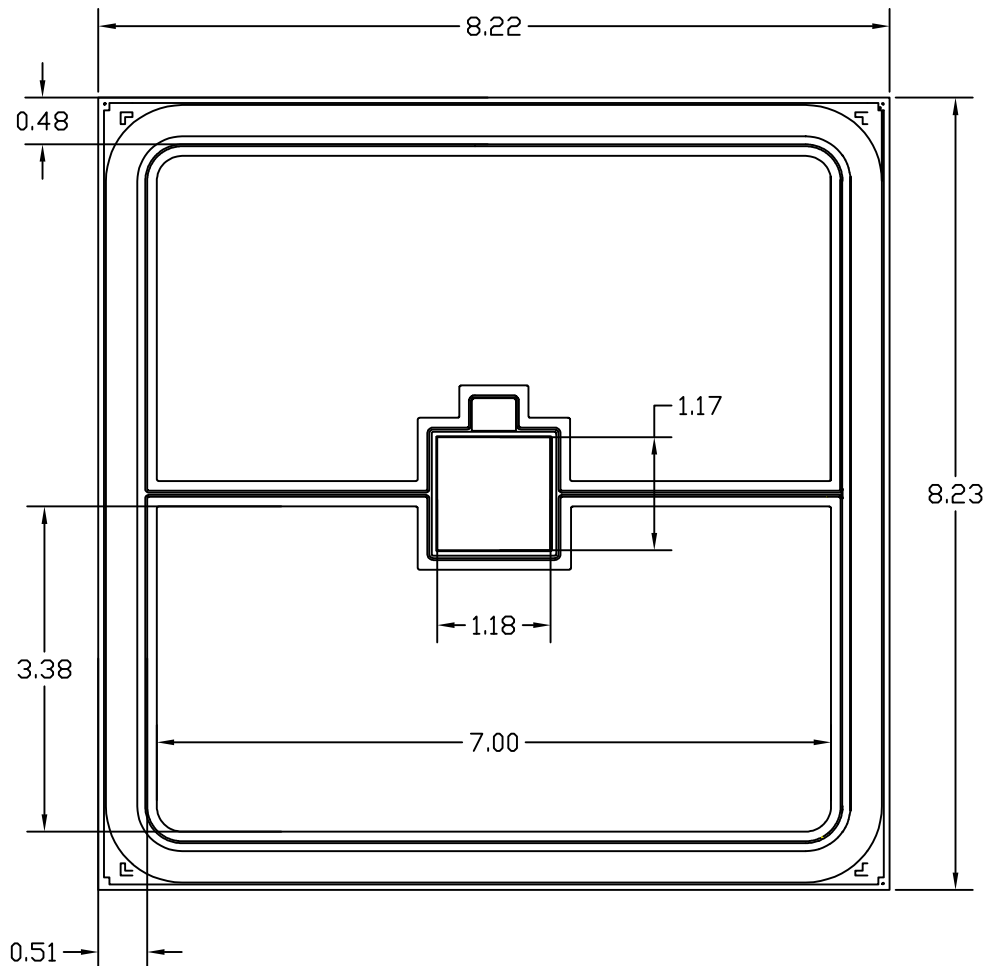
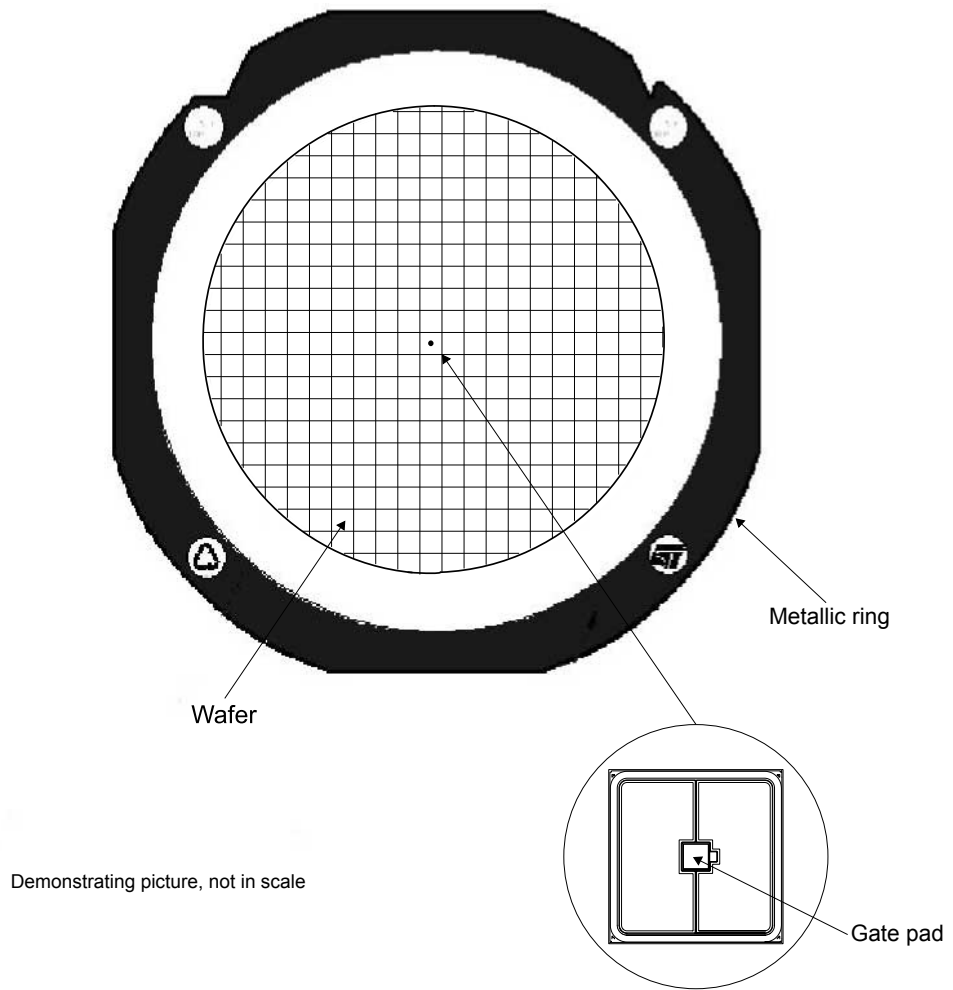


Table 6. Die delivery

Packing	Description	Details
D7	Wafer tested, inked or inkless, cut on sticky foil on 10.8" (276 mm) ring (see Figure 2. D7 drawing and die orientation).	Wafer is held by ring and placed in a proper box, containing a maximum of 25 wafers, sealed under vacuum inside a plastic envelope. The latter is protected by two foam shells and then sealed in a carton box.

Figure 2. D7 drawing and die orientation



GADG220320211732MT

5 Additional information

5.1 Additional testing and screening

For customers requiring product supplied as known good die (KGD) or requiring specific die level testing (that is for dynamic and switching characterization), please contact the local ST sales office.

If KGD is requested, the shipping delivery is D8.

5.2 Shipping

Several shipping options are offered. Consult the local ST sales office for availability:

- Die on film-sticky foil - suffix on sales type D7
- Carrier tape - suffix on sales type D8

5.3 Handling

- Products must be handled only at ESD safe workstations. Standard ESD precautions and safe work environments are as defined in MIL-HDBK-263.
- Products must be handled only in a class 1000 or better-designated clean room environment.
- Singular die is not to be handled with tweezers. A vacuum wand with a nonmetallic ESD protected tip should be used.

5.4 Wafer/die storage

Once the packaging is opened, the wafer must be stored in a dry, inert atmosphere, such as nitrogen.

Optimum temperature for storage is $18\text{ °C} \pm 2\text{ °C}$ with as few variations as possible to avoid parasitic polymerization of the adhesive. Sawn wafers must be processed within 12 weeks after receipt by the customer.

After the customer opens the package, the customer is responsible for the products.

Revision history

Table 7. Document revision history

Date	Revision	Changes
22-Mar-2021	1	First release.
29-Oct-2021	2	Updated notes in <i>Table 2. Absolute maximum ratings</i> . Minor text changes.
17-Aug-2022	3	Updated <i>Applications</i> on cover page. Updated <i>Table 6. Die delivery</i> .

Contents

1	Mechanical parameters	2
2	Electrical ratings	3
3	Electrical characteristics	4
4	Die layout	5
5	Additional information	7
5.1	Additional testing and screening	7
5.2	Shipping	7
5.3	Handling	7
5.4	Wafer/die storage	7
	Revision history	8

IMPORTANT NOTICE – READ CAREFULLY

STMicroelectronics NV and its subsidiaries (“ST”) reserve the right to make changes, corrections, enhancements, modifications, and improvements to ST products and/or to this document at any time without notice. Purchasers should obtain the latest relevant information on ST products before placing orders. ST products are sold pursuant to ST’s terms and conditions of sale in place at the time of order acknowledgment.

Purchasers are solely responsible for the choice, selection, and use of ST products and ST assumes no liability for application assistance or the design of purchasers’ products.

No license, express or implied, to any intellectual property right is granted by ST herein.

Resale of ST products with provisions different from the information set forth herein shall void any warranty granted by ST for such product.

ST and the ST logo are trademarks of ST. For additional information about ST trademarks, refer to www.st.com/trademarks. All other product or service names are the property of their respective owners.

Information in this document supersedes and replaces information previously supplied in any prior versions of this document.

© 2022 STMicroelectronics – All rights reserved