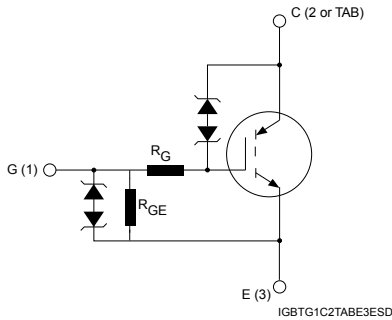
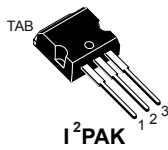





# STGB25N36LZAG, STGD25N36LZAG, STGI25N36LZAG

Datasheet

Automotive-grade 360 V internally clamped IGBT  $E_{SCIS}$  300 mJ



## Features

- AEC-Q101 qualified 
- SCIS energy of 300 mJ @  $T_J = 25\text{ }^\circ\text{C}$
- Parts are 100% tested in SCIS
- ESD gate-emitter protection
- Gate-collector high voltage clamping
- Logic level gate drive
- Very low saturation voltage
- High pulsed current capability
- Gate and gate-emitter resistor

## Applications

- Automotive ignition coil driver circuit

## Description

This application-specific IGBT utilizes the most advanced PowerMESH technology optimized for coil driving in the harsh environment of automotive ignition systems. These devices show very low on-state voltage and very high SCIS energy capability over a wide operating temperature range. Moreover, ESD-protected logic level gate input and an integrated gate resistor means no external protection circuitry is required.



### Product status link

[STGB25N36LZAG](#)

[STGD25N36LZAG](#)

[STGI25N36LZAG](#)

# 1 Electrical ratings

**Table 1. Absolute maximum ratings**

Symbol	Parameter	Value	Unit
$V_{CES}$	Collector-emitter voltage ( $V_{GE} = 0\text{ V}$ )	$V_{CES(\text{clamped})}$	V
$V_{ECS}$	Emitter-collector voltage ( $V_{GE} = 0\text{ V}$ )	20	V
$I_C$	Continuous collector current at $T_C = 25\text{ °C}$ , $V_{GE} = 4\text{ V}$	25	A
	Continuous collector current at $T_C = 100\text{ °C}$ , $V_{GE} = 4\text{ V}$	25	A
$I_{CP}^{(1)}$	Pulsed collector current	50	A
$V_{GE}$	Gate-emitter voltage	$V_{GE(\text{clamped})}$	V
$P_{TOT}$	Total power dissipation at $T_C = 25\text{ °C}$	150	W
$E_{SCIS\_25}^{(2)}$	Self-clamping inductive switching energy	300	mJ
$E_{SCIS\_150}^{(3)}$	Self-clamping inductive switching energy @ $T_J = 150\text{ °C}$	170	mJ
ESD	Human body model, $R = 1.5\text{ k}\Omega$ , $C = 100\text{ pF}$	4	kV
	Charged device model	2	kV
$T_{STG}$	Storage temperature range	-55 to 175	°C
$T_J$	Operating junction temperature range		°C

1. Pulse width limited by maximum junction temperature.
2. Starting  $T_j = 25\text{ °C}$ ,  $L = 3\text{ mH}$ ,  $R_g = 1\text{ k}\Omega$ ,  $V_{cc} = 50\text{ V}$  during inductor charging and  $V_{cc} = 0\text{ V}$  during the time in clamp. Parts are 100% electrically tested in production.
3. Starting  $T_j = 150\text{ °C}$ ,  $L = 3\text{ mH}$ ,  $R_g = 1\text{ k}\Omega$ ,  $V_{cc} = 50\text{ V}$  during inductor charging and  $V_{cc} = 0\text{ V}$  during the time in clamp.

**Table 2. Thermal data**

Symbol	Parameter	Value			Unit
		D <sup>2</sup> PAK	DPAK	I <sup>2</sup> PAK	
$R_{thj\text{-case}}$	Thermal resistance junction-case	1			°C/W
$R_{thj\text{-amb}}$	Thermal resistance junction-ambient	62.5	100	62.5	°C/W

## 2 Electrical characteristics

$T_C = 25\text{ °C}$  unless otherwise specified

**Table 3. Static characteristics**

Symbol	Parameter	Test conditions	Min.	Typ.	Max.	Unit
$V_{CES(\text{clamped})}$	Collector-emitter clamped voltage	$I_C = 2\text{ mA}, V_{GE} = 0\text{ V}$		350		V
		$I_C = 2\text{ mA}, V_{GE} = 0\text{ V}, T_J = -40\text{ °C to }175\text{ °C}$	325		385	V
$V_{(BR)ECS}$	Emitter-collector break-down voltage	$I_C = 75\text{ mA}, V_{GE} = 0\text{ V}$	20			V
$V_{GE(\text{clamped})}$	Gate-emitter clamped voltage	$I_G = \pm 2\text{ mA}, T_J = -40\text{ °C to }175\text{ °C}$	12		16	V
$V_{CE(\text{sat})}$	Collector-emitter saturation voltage	$V_{GE} = 4\text{ V}, I_C = 6\text{ A}$		1.1	1.25	V
		$V_{GE} = 4.5\text{ V}, I_C = 10\text{ A}, T_J = 175\text{ °C}$		1.25	1.55	V
$V_{GE(\text{th})}$	Gate-threshold voltage	$V_{GE} = V_{CE}, I_C = 1\text{ mA}$	1.3	1.7	2.1	V
		$V_{GE} = V_{CE}, I_C = 1\text{ mA}, T_J = 175\text{ °C}$		1.05		V
$I_{CES}$	Collector cut-off current	$V_{CE} = 15\text{ V}, V_{GE} = 0\text{ V}, T_J = 150\text{ °C}$			20	$\mu\text{A}$
		$V_{CE} = 200\text{ V}, V_{GE} = 0\text{ V}, T_J = 150\text{ °C}$			100	$\mu\text{A}$
$I_{GES}$	Gate-emitter leakage current	$V_{GE} = \pm 10\text{ V}, V_{CE} = 0\text{ V}$		625		$\mu\text{A}$
		$V_{GE} = \pm 10\text{ V}, V_{CE} = 0\text{ V}, T_J = -40\text{ °C to }175\text{ °C}$	450		900	$\mu\text{A}$
$R_{GE}$	Gate emitter resistance		11	16	22	k $\Omega$
$R_G$	Gate resistance			120		$\Omega$

**Table 4. Dynamic characteristics**

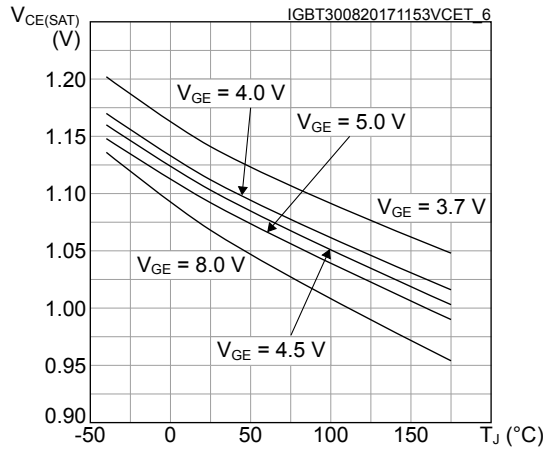
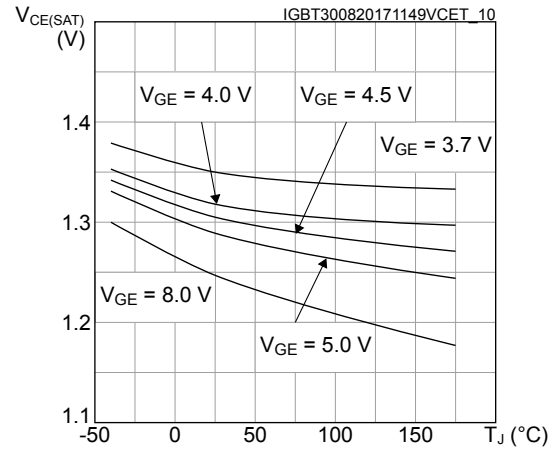
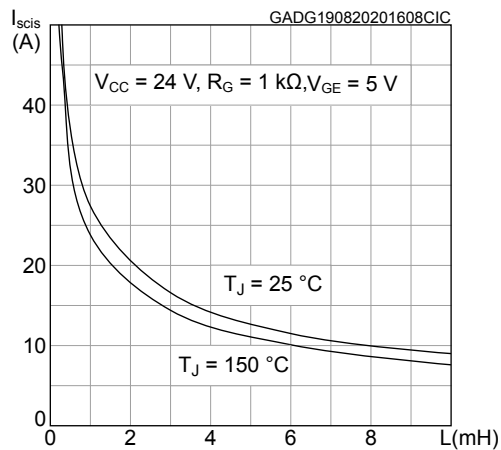
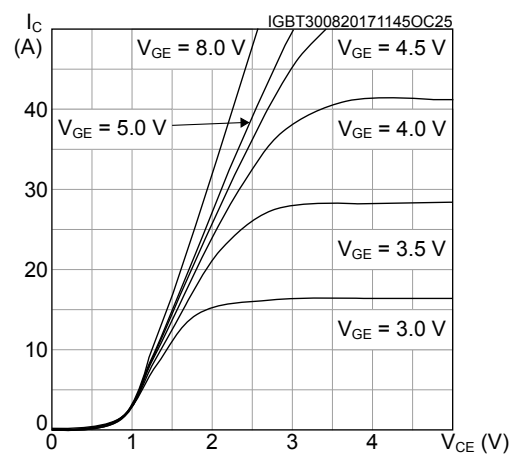
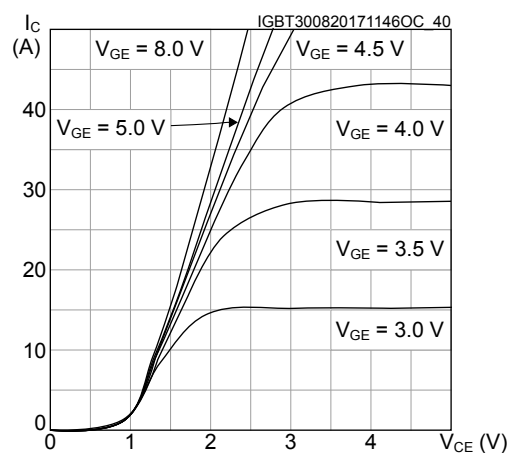
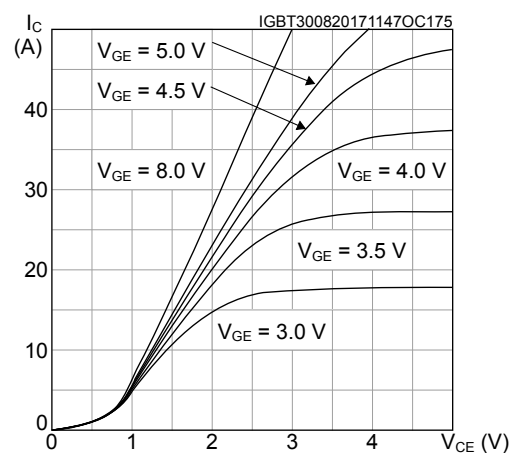
Symbol	Parameter	Test conditions	Min.	Typ.	Max.	Unit
$C_{ies}$	Input capacitance	$V_{CE} = 25\text{ V}, f = 1\text{ MHz}, V_{GE} = 0\text{ V}$	-	1004	-	pF
$C_{oes}$	Output capacitance		-	86.6	-	
$C_{res}$	Reverse transfer capacitance		-	14	-	
$Q_g$	Total gate charge	$V_{CE} = 13\text{ V}, I_C = 10\text{ A}, V_{GE} = 0\text{ to }5\text{ V}$	-	25.7	-	nC

**Table 5. Resistive load switching characteristics**

Symbol	Parameter	Test conditions	Min.	Typ.	Max.	Unit
$t_{d(on)}$	Turn-on delay time	$V_{CC} = 14\text{ V}$ , $V_{GE} = 5\text{ V}$ , $R_L = 1\ \Omega$ , $R_G = 1\text{ k}\Omega$ (see Figure 17. Test circuit for resistive load switching)	-	1.1	-	$\mu\text{s}$
$t_r$	Current rise time		-	3.6	-	$\mu\text{s}$
$t_{d(on)}$	Turn-on delay time	$V_{CC} = 14\text{ V}$ , $V_{GE} = 5\text{ V}$ , $R_L = 1\ \Omega$ , $R_G = 1\text{ k}\Omega$ , $T_J = 150\text{ }^\circ\text{C}$ (see Figure 17. Test circuit for resistive load switching)	-	1.06	-	$\mu\text{s}$
$t_r$	Current rise time		-	3.5	-	$\mu\text{s}$

**Table 6. Inductive load switching characteristics**

Symbol	Parameter	Test conditions	Min.	Typ.	Max.	Unit
$t_{d(off)}$	Turn-off delay time	$V_{CC} = 300\text{ V}$ , $L = 1\text{ mH}$ , $I_C = 10\text{ A}$ , $V_{GE} = 5\text{ V}$ , $R_G = 1\text{ k}\Omega$ (see Figure 16. Test circuit for inductive load switching)	-	8.4	-	$\mu\text{s}$
$t_f$	Current fall time		-	5.5	-	$\mu\text{s}$
dV/dt	Turn-off voltage slope	(see Figure 16. Test circuit for inductive load switching)	-	160	-	$\text{V}/\mu\text{s}$
$t_{d(off)}$	Turn-off delay time	$V_{CC} = 300\text{ V}$ , $L = 1\text{ mH}$ , $I_C = 10\text{ A}$ , $V_{GE} = 5\text{ V}$ , $R_G = 1\text{ k}\Omega$ , $T_J = 150\text{ }^\circ\text{C}$ (see Figure 16. Test circuit for inductive load switching)	-	8.9	-	$\mu\text{s}$
$t_f$	Current fall time		-	7.0	-	$\mu\text{s}$
dV/dt	Turn-off voltage slope		-	144	-	$\text{V}/\mu\text{s}$

**2.1 Electrical characteristics (curves)**
**Figure 1.  $V_{CE(sat)}$  vs junction temperature ( $I_C = 6\text{ A}$ )**

**Figure 2.  $V_{CE(sat)}$  vs junction temperature ( $I_C = 10\text{ A}$ )**

**Figure 3. Self-clamped inductive switching current**

**Figure 4. Output characteristics ( $T_J = 25\text{ }^\circ\text{C}$ )**

**Figure 5. Output characteristics ( $T_J = -40\text{ }^\circ\text{C}$ )**

**Figure 6. Output characteristics ( $T_J = 175\text{ }^\circ\text{C}$ )**


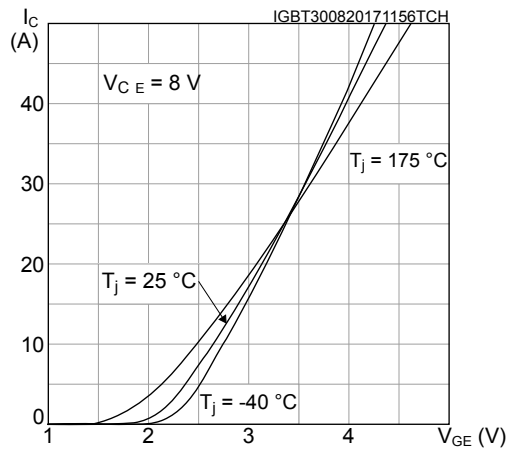
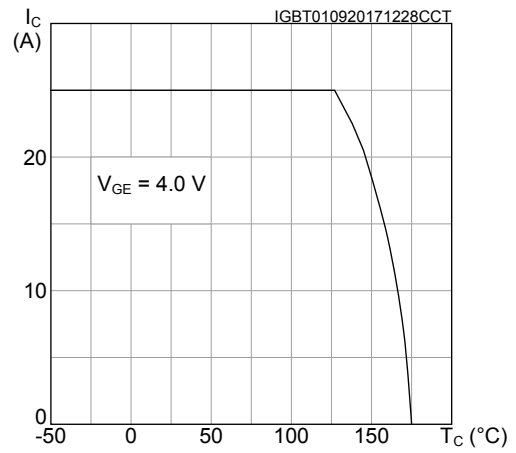
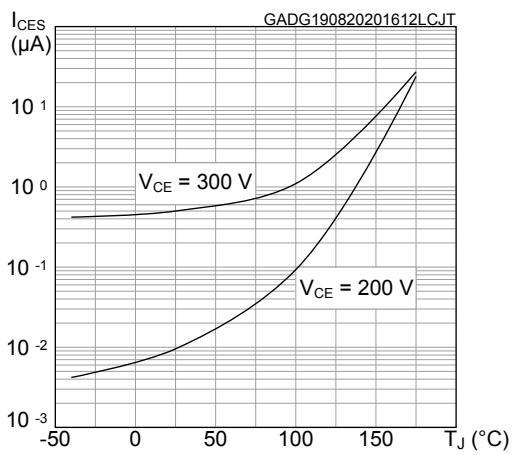
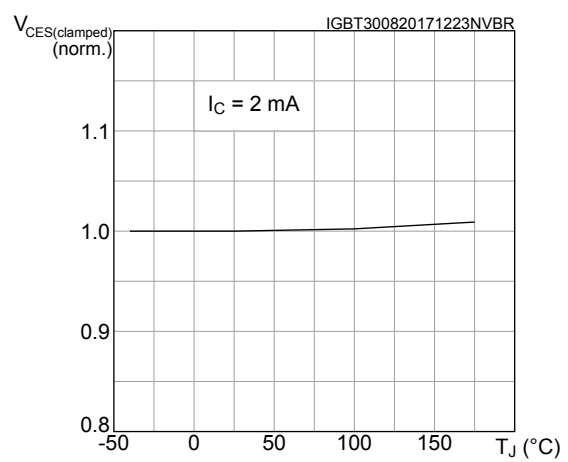
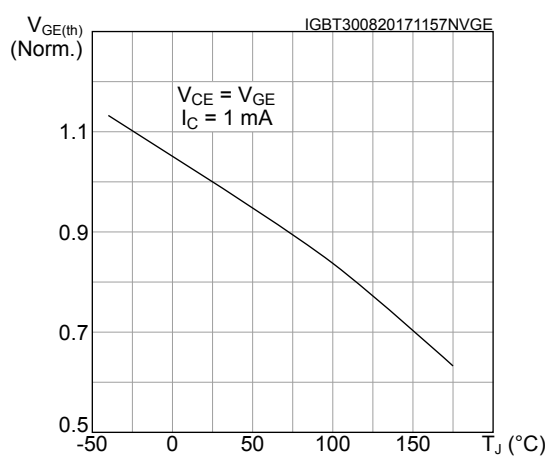
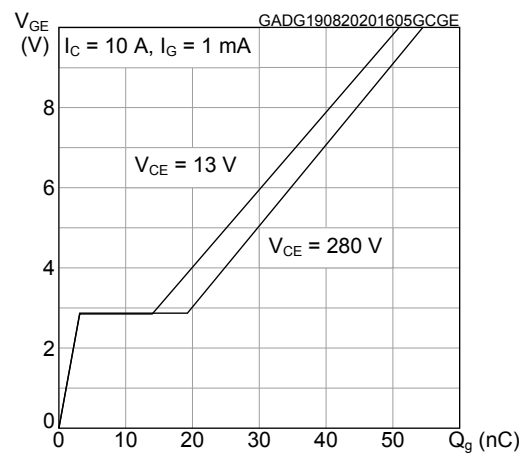
**Figure 7. Transfer characteristics**

**Figure 8. Collector current vs case temperature**

**Figure 9. Leakage current vs temperature**

**Figure 10. Normalized V\_CES(clamped) vs temperature**

**Figure 11. Normalized V\_GE(th) vs temperature**

**Figure 12. Gate charge vs gate-emitter voltage**


Figure 13. Capacitance variations

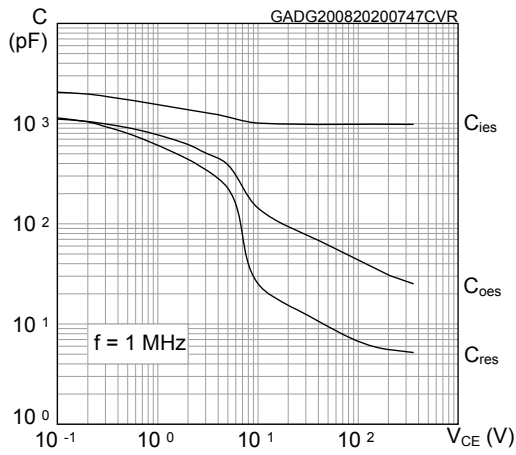


Figure 14. Thermal impedance for D<sup>2</sup>PAK and I<sup>2</sup>PAK

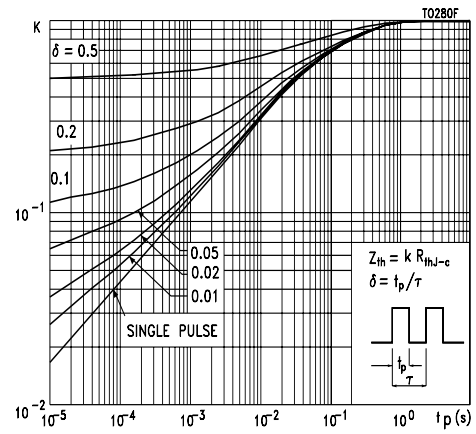
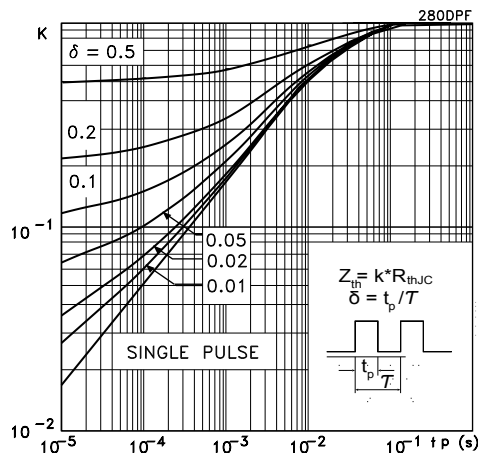
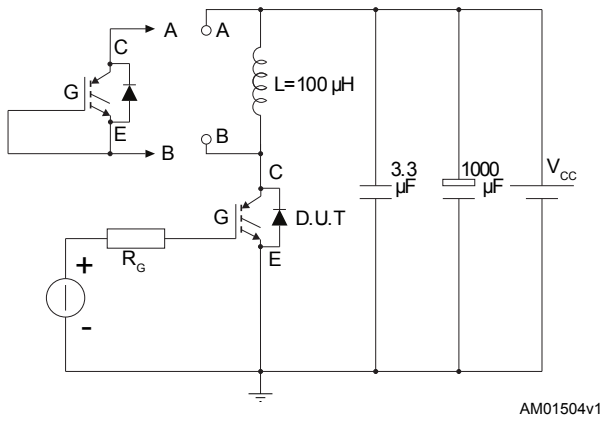
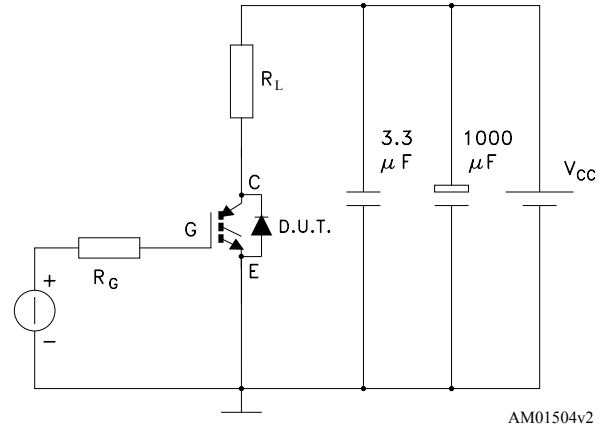
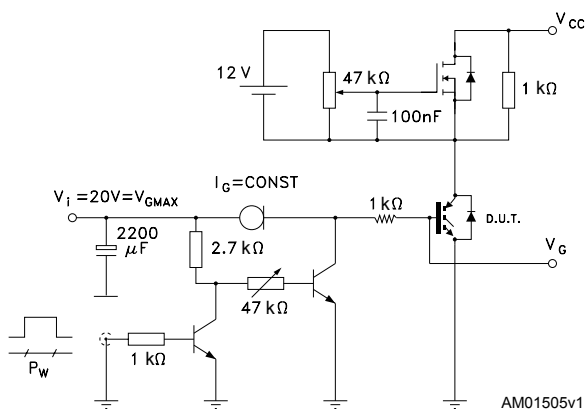
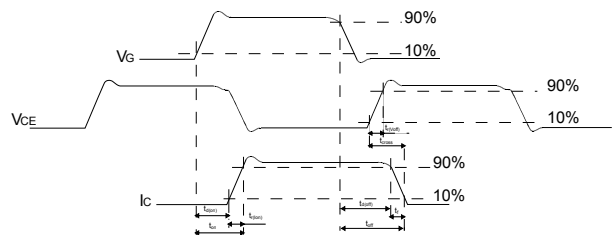


Figure 15. Thermal impedance for DPAK



### 3 Test circuits

**Figure 16. Test circuit for inductive load switching**

**Figure 17. Test circuit for resistive load switching**

**Figure 18. Gate charge test circuit**

**Figure 19. Switching waveform**


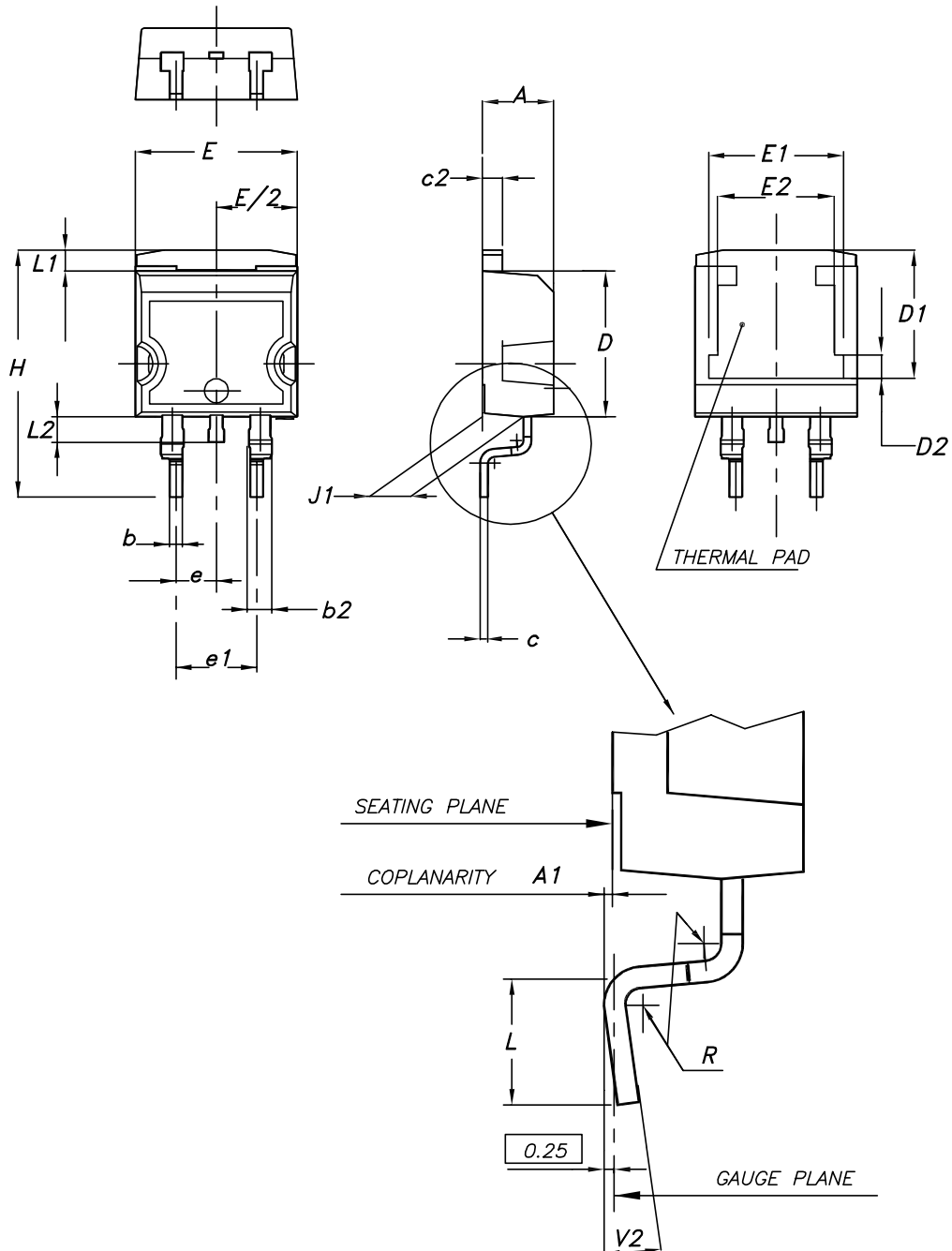


## 4 Package information

To meet environmental requirements, ST offers these devices in different grades of **ECOPACK** packages, depending on their level of environmental compliance. ECOPACK specifications, grade definitions, and product status are available at: [www.st.com](http://www.st.com). ECOPACK is an ST trademark.

### 4.1 D<sup>2</sup>PAK (TO-263) type A package information

Figure 20. D<sup>2</sup>PAK (TO-263) type A package outline

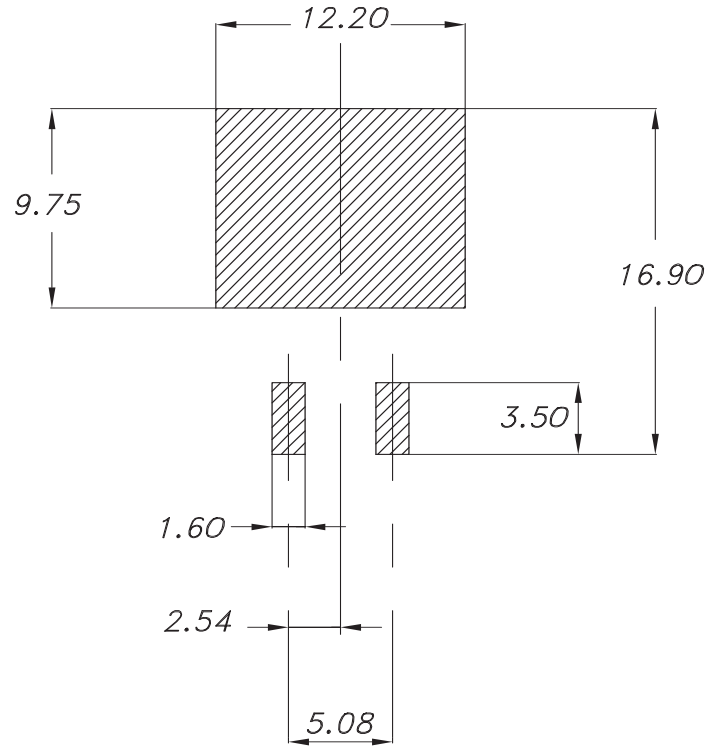


0079457\_27

**Table 7. D<sup>2</sup>PAK (TO-263) type A package mechanical data**

Dim.	mm		
	Min.	Typ.	Max.
A	4.40		4.60
A1	0.03		0.23
b	0.70		0.93
b2	1.14		1.70
c	0.45		0.60
c2	1.23		1.36
D	8.95		9.35
D1	7.50	7.75	8.00
D2	1.10	1.30	1.50
E	10.00		10.40
E1	8.30	8.50	8.70
E2	6.85	7.05	7.25
e		2.54	
e1	4.88		5.28
H	15.00		15.85
J1	2.49		2.69
L	2.29		2.79
L1	1.27		1.40
L2	1.30		1.75
R		0.40	
V2	0°		8°

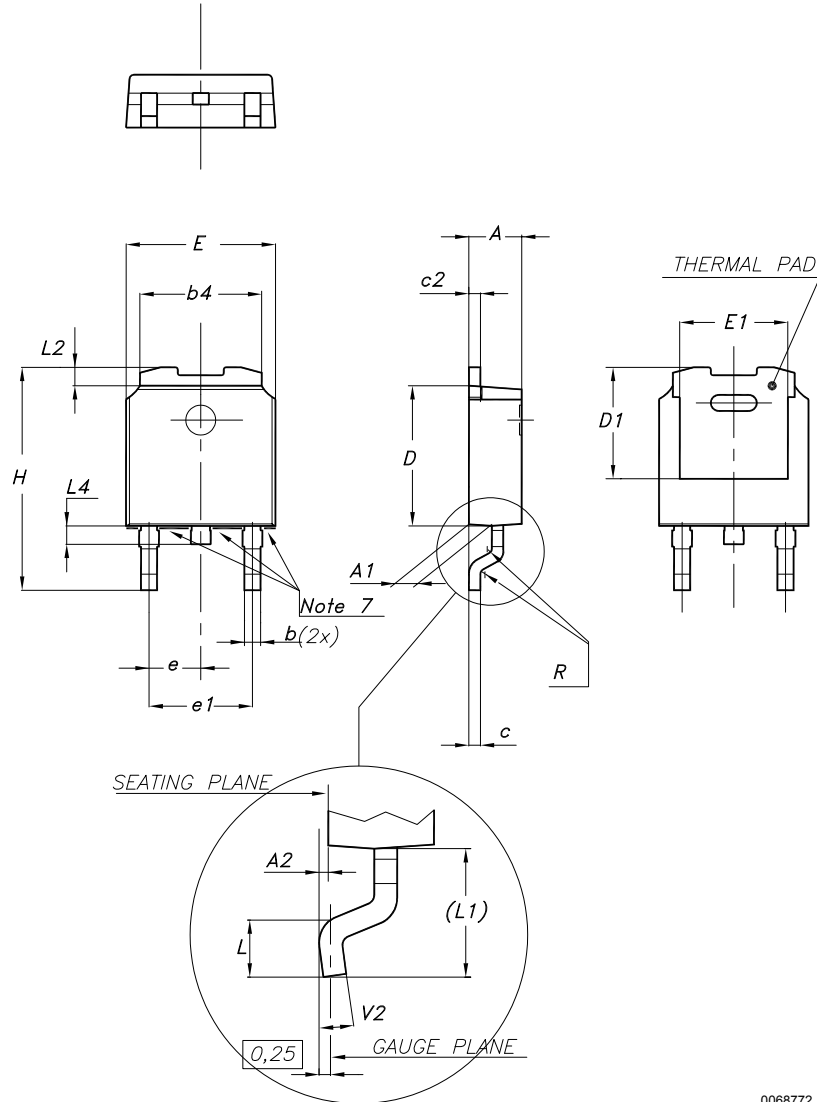
Figure 21. D<sup>2</sup>PAK (TO-263) recommended footprint (dimensions are in mm)



0079457\_Rev27\_footprint

## 4.2 DPAK (TO-252) type A2 package information

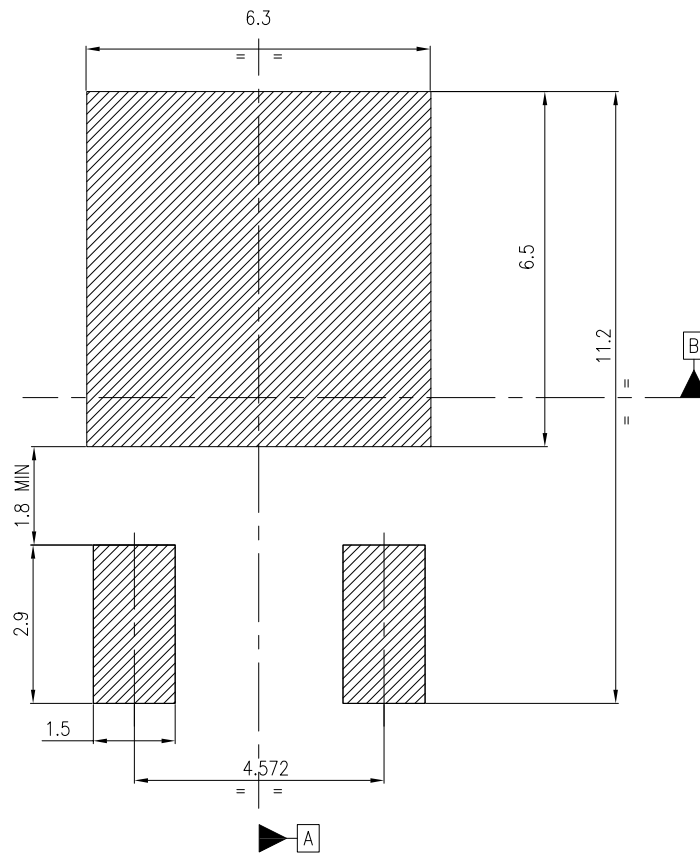
Figure 22. DPAK (TO-252) type A2 package outline



0068772\_type-A2\_rev35

**Table 8. DPAK (TO-252) type A2 mechanical data**

Dim.	mm		
	Min.	Typ.	Max.
A	2.20		2.40
A1	0.90		1.10
A2	0.03		0.23
b	0.64		0.90
b4	5.20		5.40
c	0.45		0.60
c2	0.48		0.60
D	6.00		6.20
D1	4.95	5.10	5.25
E	6.40		6.60
E1	5.10	5.20	5.30
e	2.159	2.286	2.413
e1	4.445	4.572	4.699
H	9.35		10.10
L	1.00		1.50
L1	2.60	2.80	3.00
L2	0.65	0.80	0.95
L4	0.60		1.00
R		0.20	
V2	0°		8°

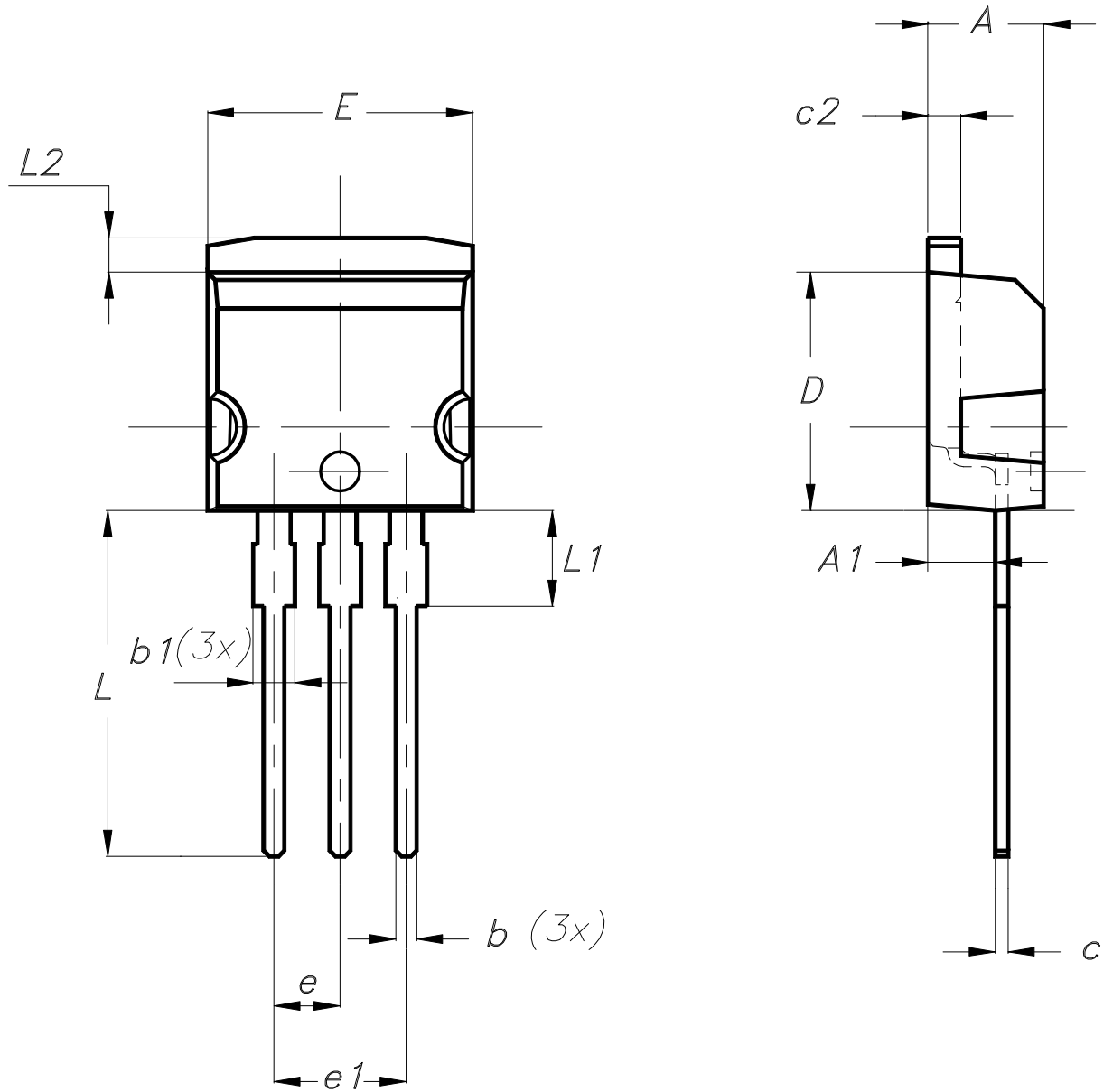
**Figure 23. DPAK (TO-252) recommended footprint (dimensions are in mm)**

**Notes:**

- 1) This footprint is able to ensure insulation up to 630 Vrms (according to CEI IEC 664-1)
- 2) The device must be positioned within  $\boxed{\oplus 0.05 \text{ A B}}$

FP\_0068772\_35

4.3 I<sup>2</sup>PAK package information

Figure 24. I<sup>2</sup>PAK package outline



0004982\_Rev\_10

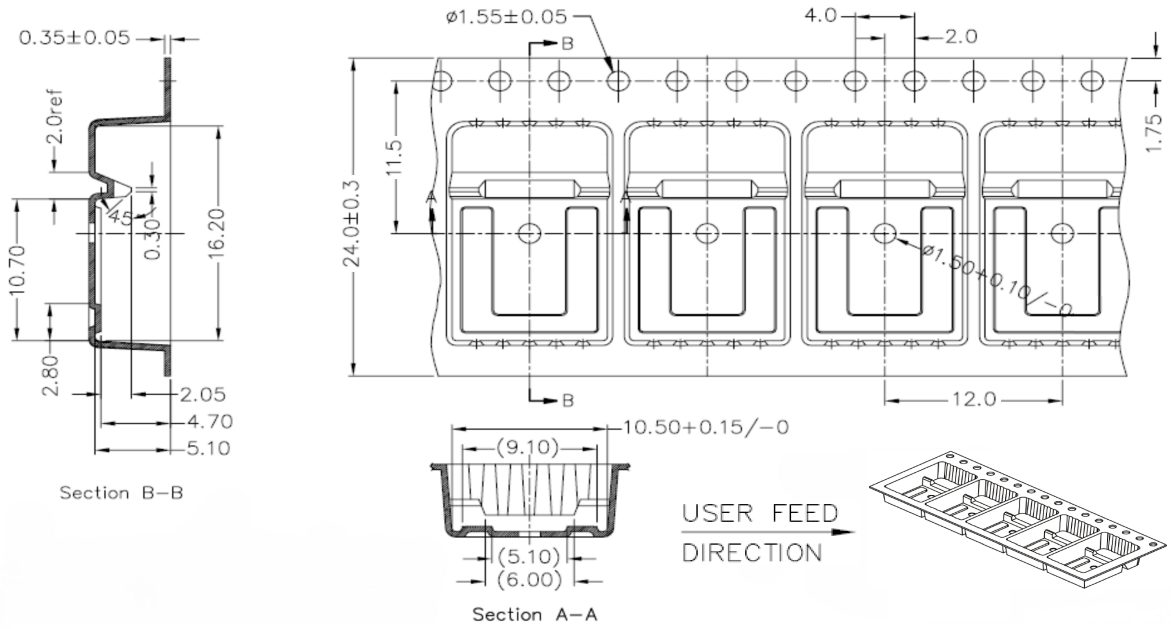
**Table 9. I<sup>2</sup>PAK package mechanical data**

Dim.	mm	
	Min.	Max.
A	4.40	4.60
A1	2.40	2.72
b	0.61	0.88
b1	1.14	1.70
c	0.49	0.70
c2	1.23	1.32
D	8.95	9.35
e	2.40	2.70
e1	4.95	5.15
E	10.00	10.40
L	13.00	14.00
L1	3.50	3.93
L2	1.27	1.40



### 4.4 D<sup>2</sup>PAK packing information

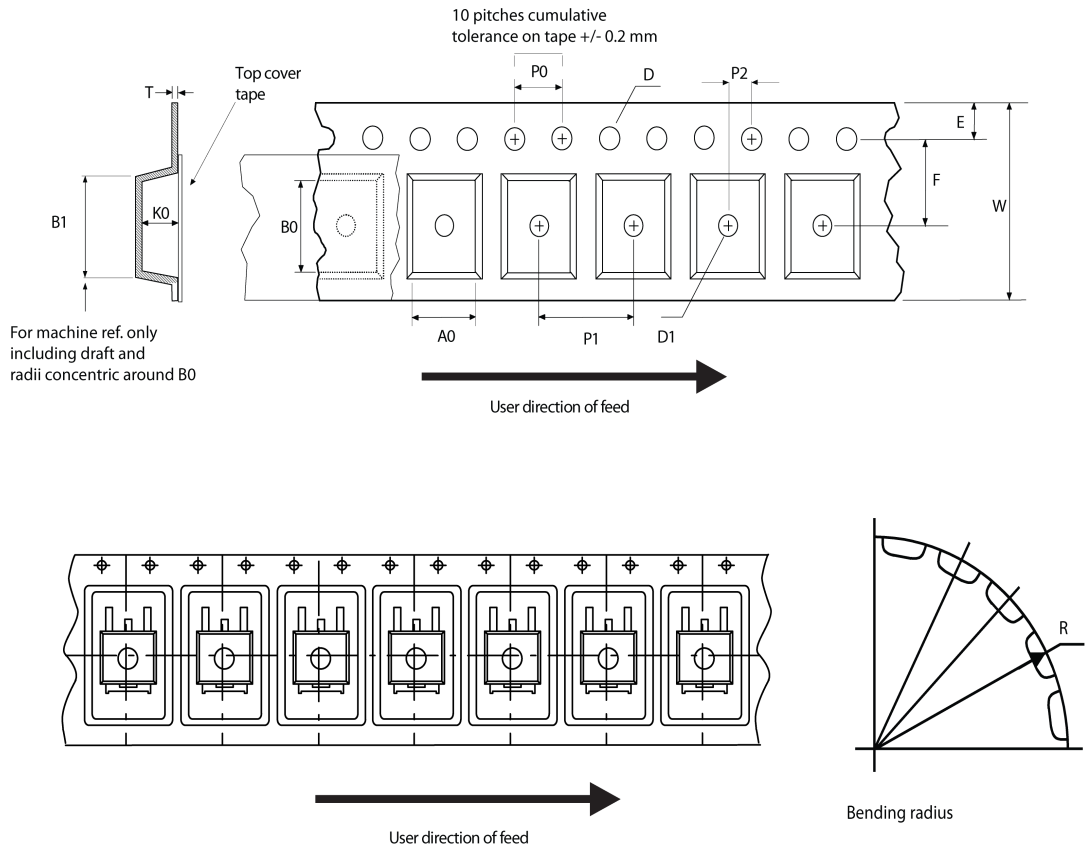
Figure 25. D<sup>2</sup>PAK tape drawing



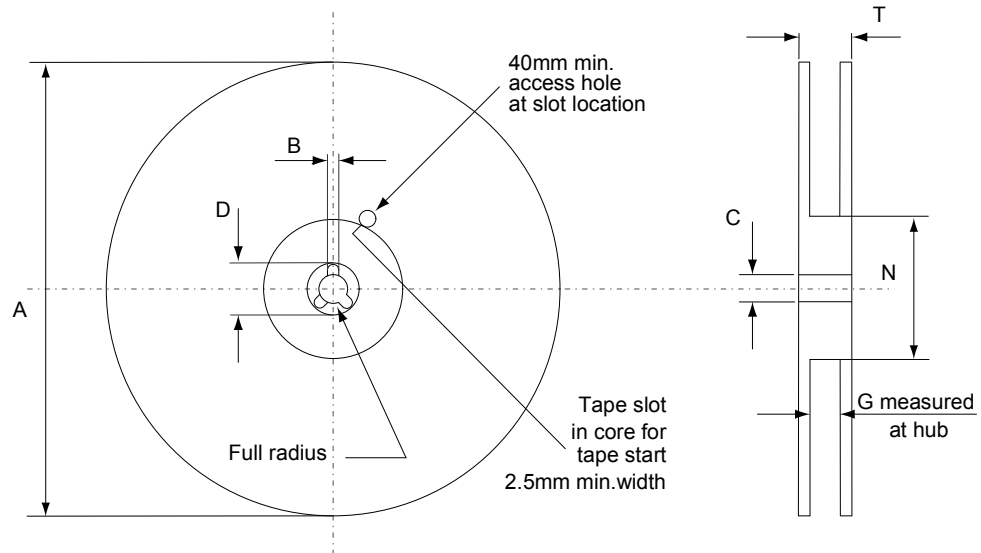
DM01095771\_1

### 4.5 DPAK packing information

Figure 26. DPAK tape outline



AM08852v1

**Figure 27. DPAK reel outline**


AM06038v1

**Table 10. DPAK tape and reel mechanical data**

Dim.	Tape		Dim.	Reel	
	mm			mm	
	Min.	Max.		Min.	Max.
A0	6.8	7	A		330
B0	10.4	10.6	B	1.5	
B1		12.1	C	12.8	13.2
D	1.5	1.6	D	20.2	
D1	1.5		G	16.4	18.4
E	1.65	1.85	N	50	
F	7.4	7.6	T		22.4
K0	2.55	2.75			
P0	3.9	4.1	Base qty.		2500
P1	7.9	8.1	Bulk qty.		2500
P2	1.9	2.1			
R	40				
T	0.25	0.35			
W	15.7	16.3			



## 5 Ordering information

Table 11. Order codes

Order code	Marking	Package	Packing
STGB25N36LZAG	GB25N36LZ	D <sup>2</sup> PAK	Tape and reel
STGD25N36LZAG	GD25N36LZ	DPAK	Tape and reel
STGI25N36LZAG	GI25N36LZ	I <sup>2</sup> PAK	Tube

## Revision history

**Table 12. Document revision history**

Date	Revision	Changes
19-Aug-2020	1	First release.
02-Feb-2023	2	Updated <i>Table 6. Inductive load switching characteristics</i> .
03-Oct-2023	3	Updated <i>Table 6. Inductive load switching characteristics</i> .
16-Apr-2025	4	Updated <a href="#">Section 4: Package information</a> .



## Contents

<b>1</b>	<b>Electrical ratings</b> .....	<b>2</b>
<b>2</b>	<b>Electrical characteristics</b> .....	<b>3</b>
<b>2.1</b>	Electrical characteristics (curves).....	<b>5</b>
<b>3</b>	<b>Test circuits</b> .....	<b>8</b>
<b>4</b>	<b>Package information</b> .....	<b>9</b>
<b>4.1</b>	D <sup>2</sup> PAK (TO-263) type A package information .....	<b>9</b>
<b>4.2</b>	DPAK (TO-252) type A2 package information .....	<b>12</b>
<b>4.3</b>	I <sup>2</sup> PAK package information.....	<b>15</b>
<b>4.4</b>	D <sup>2</sup> PAK packing information .....	<b>17</b>
<b>4.5</b>	DPAK packing information .....	<b>18</b>
<b>5</b>	<b>Ordering information</b> .....	<b>20</b>
	<b>Revision history</b> .....	<b>21</b>



**IMPORTANT NOTICE – READ CAREFULLY**

STMicroelectronics NV and its subsidiaries (“ST”) reserve the right to make changes, corrections, enhancements, modifications, and improvements to ST products and/or to this document at any time without notice. Purchasers should obtain the latest relevant information on ST products before placing orders. ST products are sold pursuant to ST’s terms and conditions of sale in place at the time of order acknowledgment.

Purchasers are solely responsible for the choice, selection, and use of ST products and ST assumes no liability for application assistance or the design of purchasers’ products.

No license, express or implied, to any intellectual property right is granted by ST herein.

Resale of ST products with provisions different from the information set forth herein shall void any warranty granted by ST for such product.

ST and the ST logo are trademarks of ST. For additional information about ST trademarks, refer to [www.st.com/trademarks](http://www.st.com/trademarks). All other product or service names are the property of their respective owners.

Information in this document supersedes and replaces information previously supplied in any prior versions of this document.

© 2025 STMicroelectronics – All rights reserved