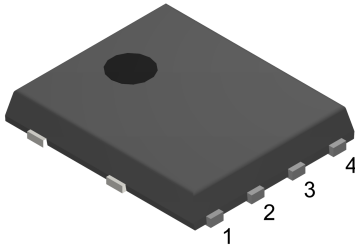
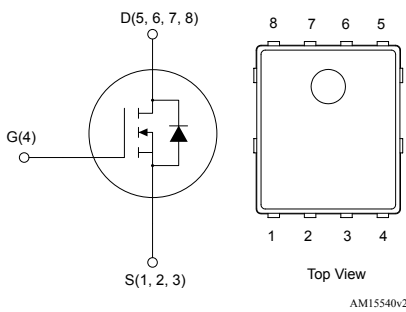


N-channel 100 V, 5 mΩ typ., 107 A, STripFET™ F7 Power MOSFET in a PowerFLAT™ 5x6 package



PowerFLAT™ 5x6



Features

Order code	V _{DS}	R _{DS(on)} max.	I _D	P _{TOT}
STL110N10F7	100 V	6 mΩ	107 A	136 W

- Among the lowest R_{DS(on)} on the market
- Excellent FoM (figure of merit)
- Low C_{rss}/C_{iss} ratio for EMI immunity
- High avalanche ruggedness

Applications

- Switching applications

Description

This N-channel Power MOSFET utilizes STripFET™ F7 technology with an enhanced trench gate structure that results in very low on-state resistance, while also reducing internal capacitance and gate charge for faster and more efficient switching.

Product status link

[STL110N10F7](#)

Product summary

Order code	STL110N10F7
Marking	110N10F7
Package	PowerFLAT™ 5x6
Packing	Tape and reel

1 Electrical ratings

Table 1. Absolute maximum ratings

Symbol	Parameter	Value	Unit
V_{DS}	Drain-source voltage	100	V
V_{GS}	Gate-source voltage	± 20	V
$I_D^{(1)}$	Drain current (continuous) at $T_C = 25\text{ }^\circ\text{C}$	107	A
	Drain current (continuous) at $T_C = 100\text{ }^\circ\text{C}$	75	A
$I_{DM}^{(1)(2)}$	Drain current (pulsed)	428	A
$I_D^{(3)}$	Drain current (continuous) at $T_C = 25\text{ }^\circ\text{C}$	21	A
	Drain current (continuous) at $T_C = 100\text{ }^\circ\text{C}$	14	A
$I_{DM}^{(2)(3)}$	Drain current (pulsed)	84	A
$P_{TOT}^{(1)}$	Total dissipation at $T_C = 25\text{ }^\circ\text{C}$	136	W
$P_{TOT}^{(3)}$	Total dissipation at $T_{pcb} = 25\text{ }^\circ\text{C}$	4.8	W
$E_{AS}^{(4)}$	Single pulse avalanche energy	490	mJ
T_J	Operating junction temperature range	-55 to 175	$^\circ\text{C}$
T_{stg}	Storage temperature range		

1. This value is rated according to R_{thj-c} .
2. Pulse width limited by safe operating area.
3. This value is rated according to $R_{thj-pcb}$.
4. Starting $T_J = 25\text{ }^\circ\text{C}$, $I_D = 18\text{ A}$, $V_{DD} = 50\text{ V}$

Table 2. Thermal resistance

Symbol	Parameter	Value	Unit
$R_{thj-case}$	Thermal resistance junction-case	1.1	$^\circ\text{C/W}$
$R_{thj-pcb}^{(1)}$	Thermal resistance junction-pcb	31.3	$^\circ\text{C/W}$

1. When mounted on an FR-4 board of 1 inch², 2oz Cu, $t < 10\text{ s}$.

2 Electrical characteristics

($T_{CASE} = 25\text{ °C}$ unless otherwise specified)

Table 3. On/off states

Symbol	Parameter	Test conditions	Min.	Typ.	Max.	Unit
$V_{(BR)DSS}$	Drain-source breakdown voltage	$V_{GS} = 0\text{ V}$, $I_D = 250\text{ }\mu\text{A}$	100			V
I_{DSS}	Zero gate voltage drain current	$V_{GS} = 0\text{ V}$, $V_{DS} = 100\text{ V}$			1	μA
		$V_{GS} = 0\text{ V}$, $V_{DS} = 100\text{ V}$, $T_C = 125\text{ °C}^{(1)}$			10	
I_{GSS}	Gate body leakage current	$V_{DS} = 0$, $V_{GS} = 20\text{ V}$			100	nA
$V_{GS(th)}$	Gate threshold voltage	$V_{DS} = V_{GS}$, $I_D = 250\text{ }\mu\text{A}$	2.5		4.5	V
$R_{DS(on)}$	Static drain-source on-resistance	$V_{GS} = 10\text{ V}$, $I_D = 10\text{ A}$		5	6	m Ω

1. Defined by design, not subject to production test.

Table 4. Dynamic

Symbol	Parameter	Test conditions	Min.	Typ.	Max.	Unit
C_{iss}	Input capacitance	$V_{DS} = 50\text{ V}$, $f = 1\text{ MHz}$, $V_{GS} = 0\text{ V}$	-	5117	-	pF
C_{oss}	Output capacitance		-	992	-	
C_{rss}	Reverse transfer capacitance		-	39	-	
Q_g	Total gate charge	$V_{DD} = 50\text{ V}$, $I_D = 21\text{ A}$, $V_{GS} = 0$ to 10 V (see Figure 15. Test circuit for gate charge behavior)	-	72	-	nC
Q_{gs}	Gate-source charge		-	30	-	
Q_{gd}	Gate-drain charge		-	17	-	

Table 5. Switching times

Symbol	Parameter	Test conditions	Min.	Typ.	Max.	Unit
$t_{d(on)}$	Turn-on delay time	$V_{DD} = 50\text{ V}$, $I_D = 10\text{ A}$, $R_G = 4.7\text{ }\Omega$, $V_{GS} = 10\text{ V}$ (see Figure 14. Test circuit for resistive load switching times and Figure 19. Switching time waveform)	-	25	-	ns
t_r	Rise time		-	36	-	ns
$t_{d(off)}$	Turn-off delay time		-	52	-	ns
t_f	Fall time		-	21	-	ns

Table 6. Source-drain diode

Symbol	Parameter	Test conditions	Min.	Typ.	Max.	Unit
$V_{SD}^{(1)}$	Forward on voltage	$I_{SD} = 21\text{ A}$, $V_{GS} = 0\text{ V}$	-		1.2	V
t_{rr}	Reverse recovery time	$I_{SD} = 21\text{ A}$, $di/dt = 100\text{ A}/\mu\text{s}$, $V_{DD} = 80\text{ V}$, $T_J = 150\text{ °C}$ (see Figure 16. Test circuit for inductive load switching and diode recovery times)	-	77		ns
Q_{rr}	Reverse recovery charge		-	150		nC
I_{RRM}	Reverse recovery current		-	4.3		A

1. Pulsed: pulse duration = $300\text{ }\mu\text{s}$, duty cycle 1.5%

2.1 Electrical characteristics (curves)

Figure 3. Safe operating area

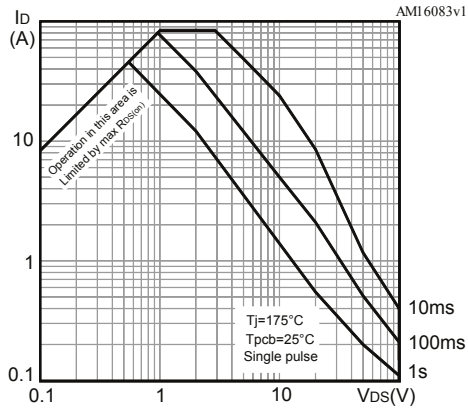


Figure 4. Thermal impedance

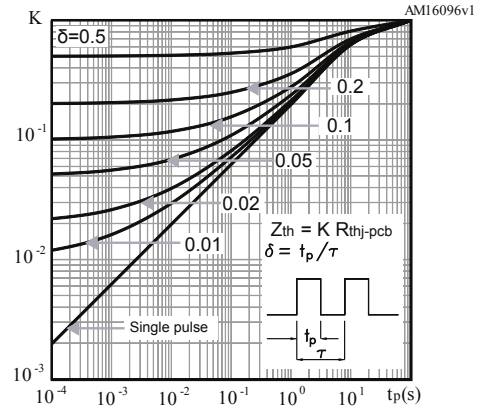


Figure 5. Output characteristics

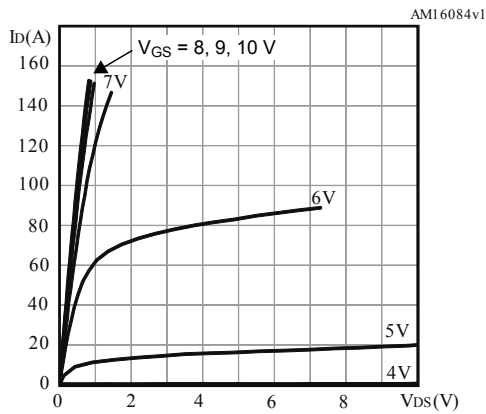


Figure 6. Transfer characteristics

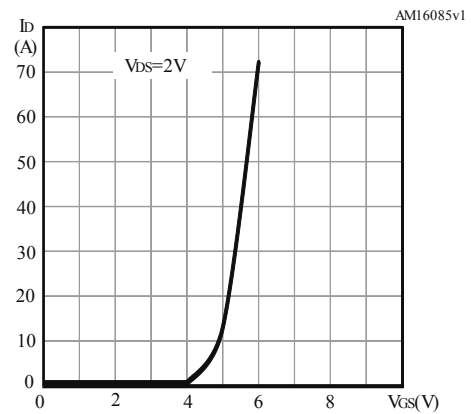


Figure 7. Gate charge vs gate-source voltage

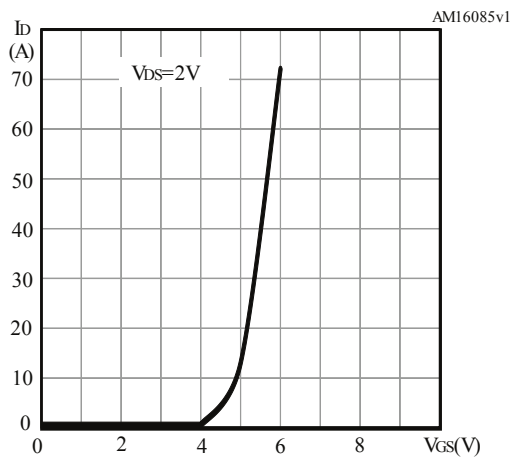


Figure 8. Static drain-source on-resistance

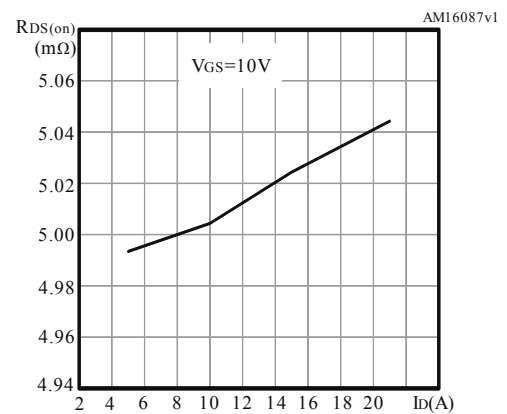


Figure 9. Capacitance variations

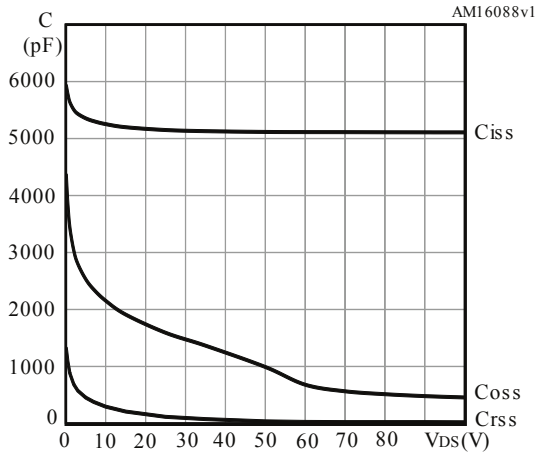


Figure 10. Normalized gate threshold voltage vs temperature

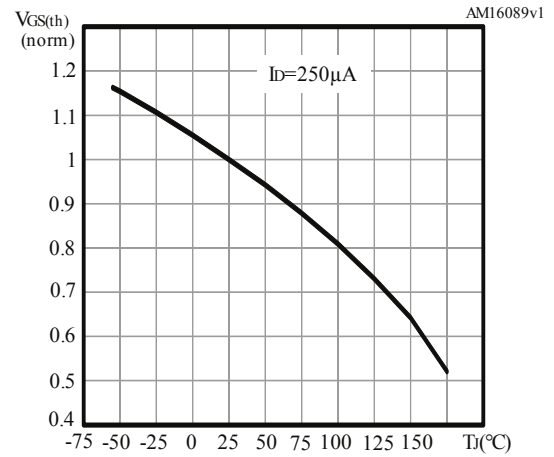


Figure 11. Normalized on-resistance vs temperature

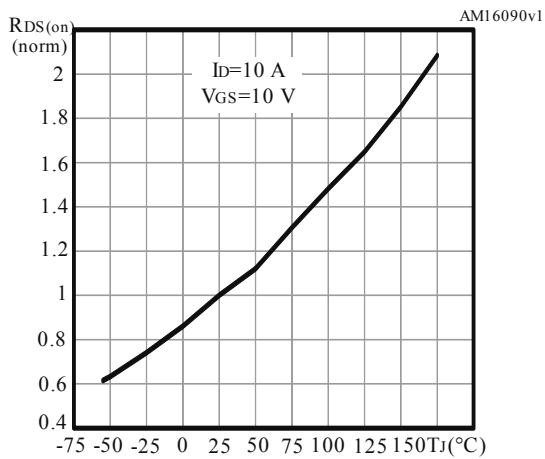


Figure 12. Source-drain diode forward characteristics

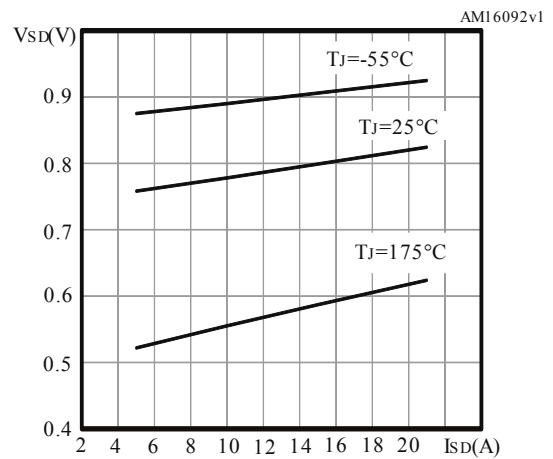
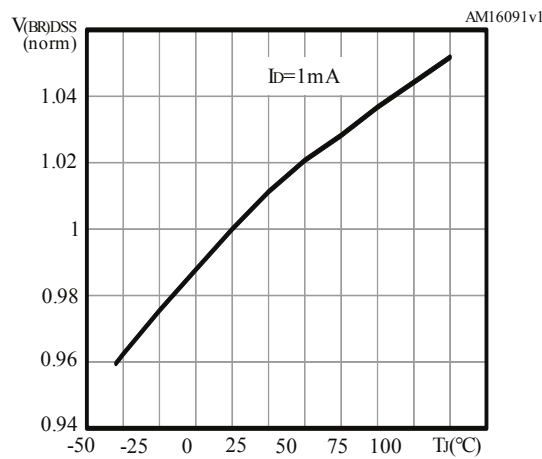
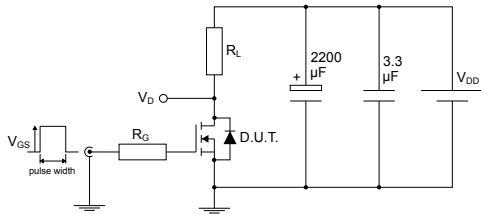


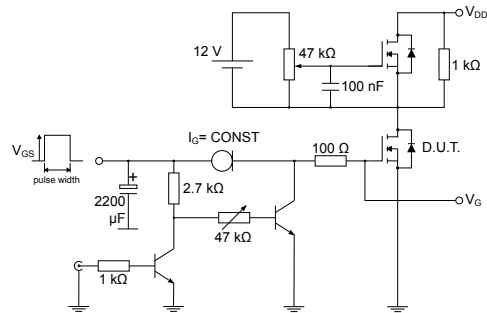
Figure 13. Normalized V_{(BR)DSS} vs temperature



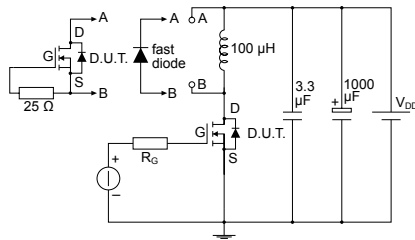
3 Test circuits

Figure 14. Test circuit for resistive load switching times


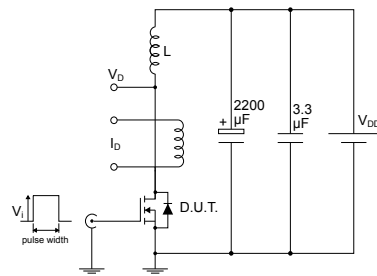
AM01468v1

Figure 15. Test circuit for gate charge behavior


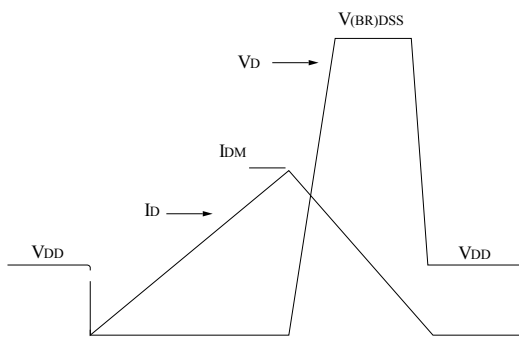
AM01469v1

Figure 16. Test circuit for inductive load switching and diode recovery times


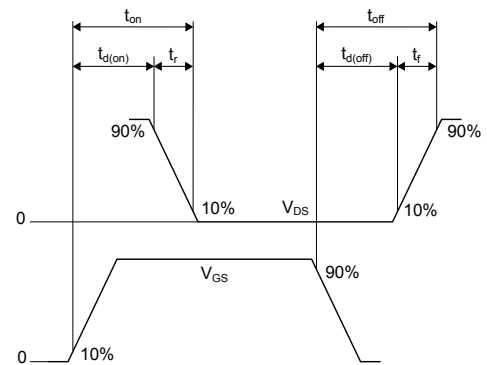
AM01470v1

Figure 17. Unclamped inductive load test circuit


AM01471v1

Figure 18. Unclamped inductive waveform


AM01472v1

Figure 19. Switching time waveform


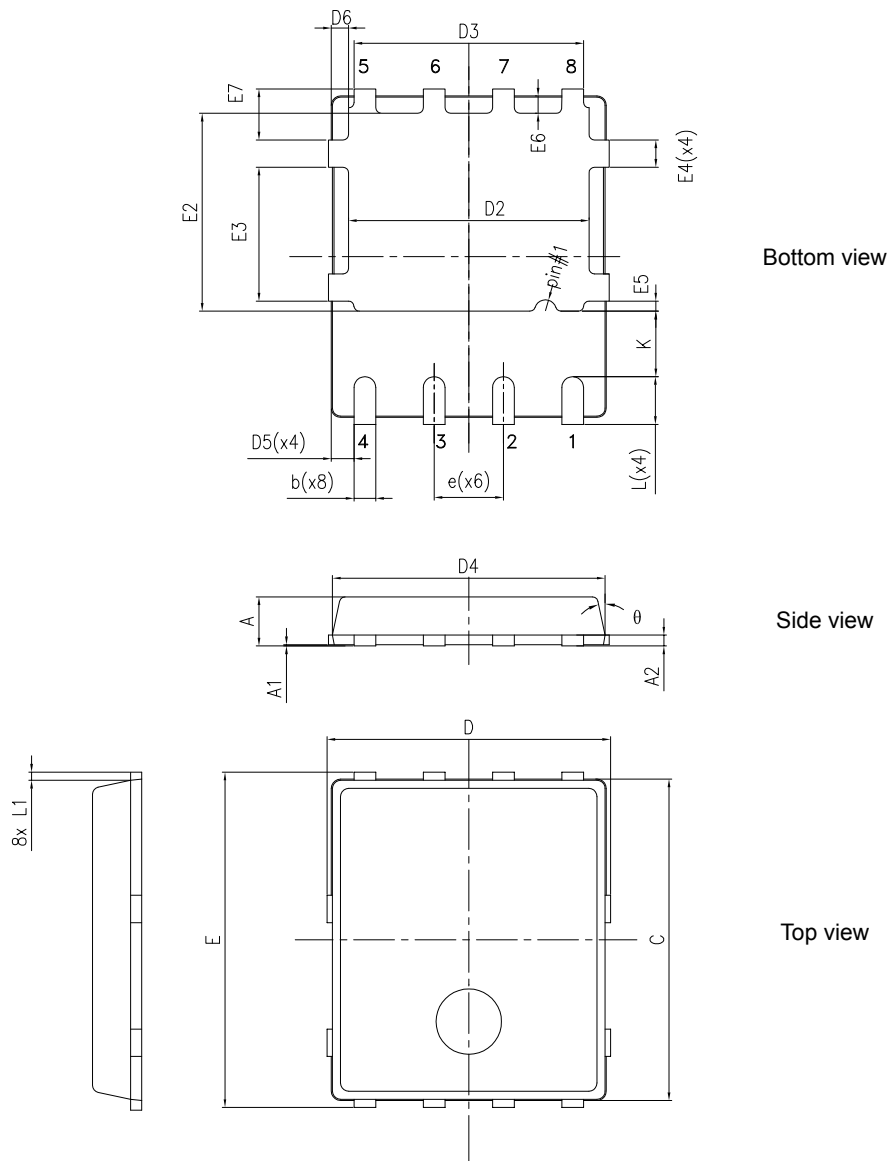
AM01473v1

4 Package information

In order to meet environmental requirements, ST offers these devices in different grades of ECOPACK® packages, depending on their level of environmental compliance. ECOPACK® specifications, grade definitions and product status are available at: www.st.com. ECOPACK® is an ST trademark.

4.1 PowerFLAT™ 5x6 type C package information

Figure 20. PowerFLAT™ 5x6 type C package outline

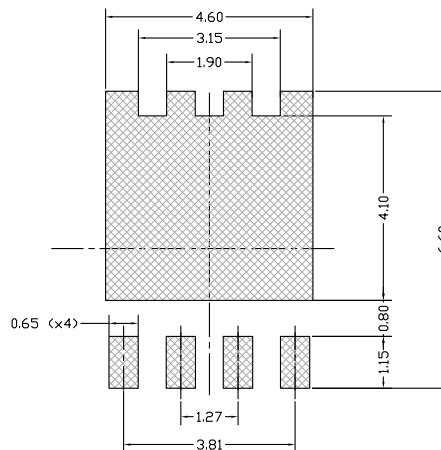


8231817_typeC_A0ER_Rev16

Table 7. PowerFLAT™ 5x6 type C package mechanical data

Dim.	mm		
	Min.	Typ.	Max.
A	0.80		1.00
A1	0.02		0.05
A2		0.25	
b	0.30		0.50
C	5.80	6.00	6.20
D	5.00	5.20	5.40
D2	4.15		4.45
D3	4.05	4.20	4.35
D4	4.80	5.00	5.20
D5	0.25	0.40	0.55
D6	0.15	0.30	0.45
e		1.27	
E	5.95	6.15	6.35
E2	3.50		3.70
E3	2.35		2.55
E4	0.40		0.60
E5	0.08		0.28
E6	0.20	0.325	0.45
E7	0.75	0.90	1.05
K	1.05		1.35
L	0.725		1.025
L1	0.05	0.15	0.25
θ	0°		12°

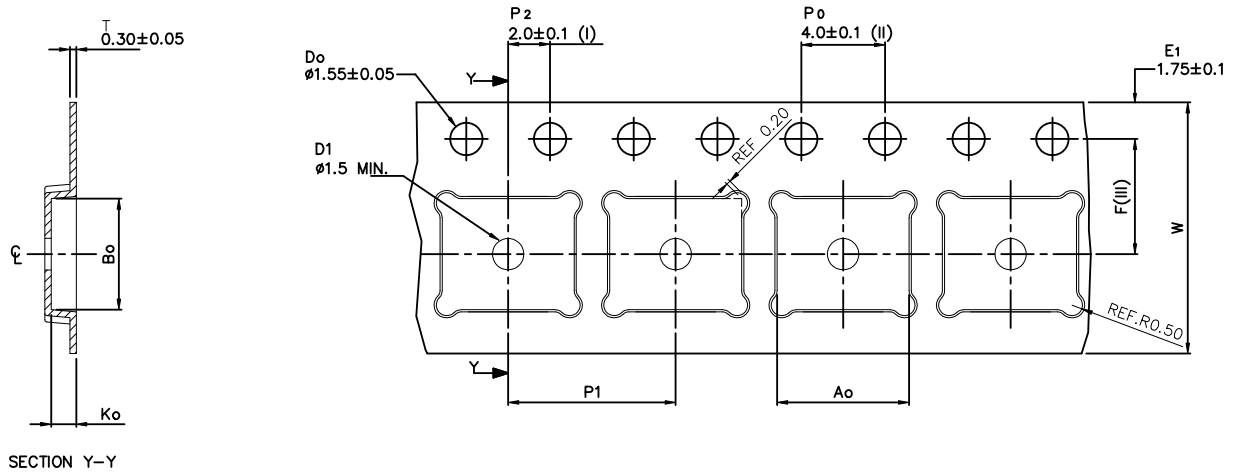
Figure 21. PowerFLAT™ 5x6 recommended footprint (dimensions are in mm)



8231817_FOOTPRINT_simp_Rev_16

4.2 PowerFLAT™ 5x6 packing information

Figure 22. PowerFLAT™ 5x6 tape (dimensions are in mm)



A_0	6.30 ± 0.1
B_0	5.30 ± 0.1
K_0	1.20 ± 0.1
F	5.50 ± 0.1
P_1	8.00 ± 0.1
W	12.00 ± 0.3

(I) Measured from centreline of sprocket hole to centreline of pocket.

(II) Cumulative tolerance of 10 sprocket holes is ± 0.20 .

(III) Measured from centreline of sprocket hole to centreline of pocket

Base and bulk quantity 3000 pcs
All dimensions are in millimeters

8234350_Tape_rev_C

Figure 23. PowerFLAT™ 5x6 package orientation in carrier tape

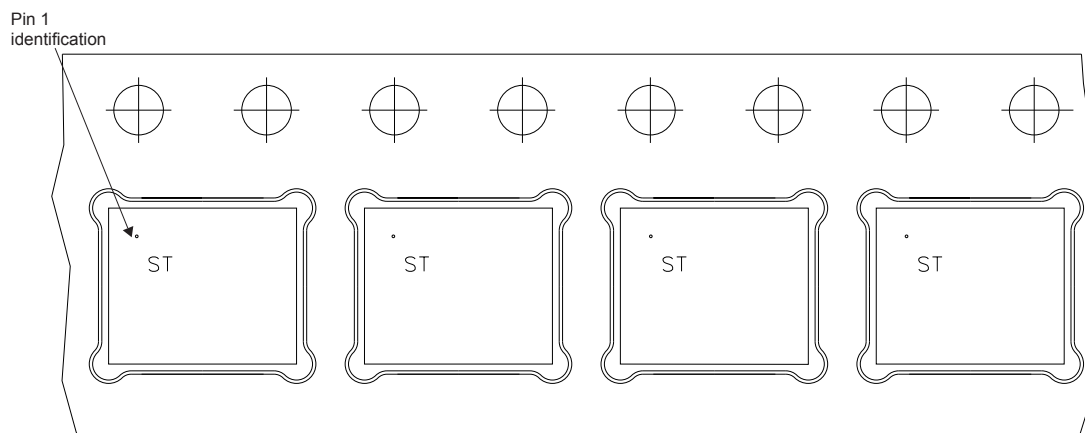
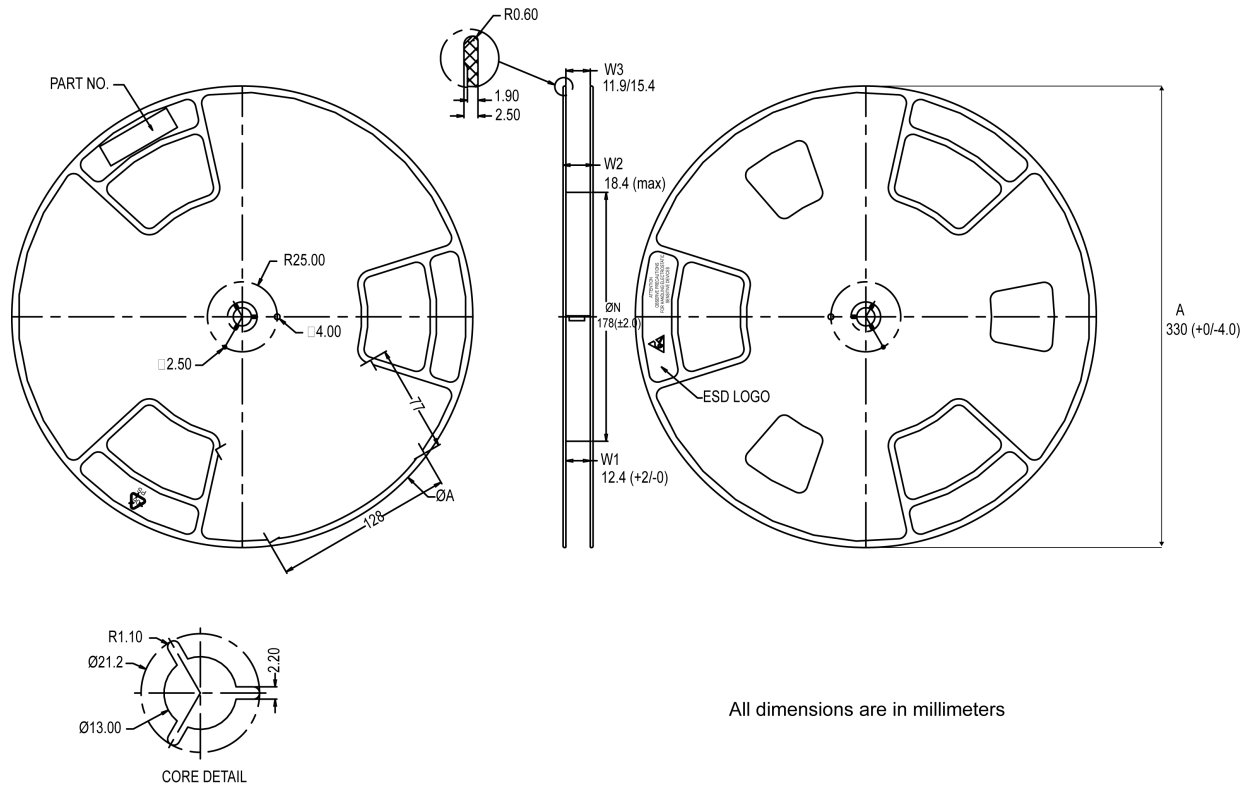


Figure 24. PowerFLAT™ 5x6 reel



All dimensions are in millimeters

8234350_Reel_rev_C

Revision history

Table 8. Document revision history

Date	Revision	Changes
03-Dec-2012	1	First release.
12-Dec-2013	2	Modified: P_{TOT} value and <i>Figure 1</i> in cover page Modified: I_D , I_{DM} and P_{TOT} values in <i>Table 2</i> Added: E_{AS} value in <i>Table 2</i> Modified: all values in <i>Table 3</i> Modified: I_{DSS} , I_{GSS} and I_D for $R_{DS(on)}$ Updated: the entire typical values in <i>Table 5</i> , <i>6</i> and <i>7</i> Updated: <i>Figure 13</i> , <i>14</i> , <i>15</i> and <i>16</i> Minor text changes
25-Mar-2014	3	Updated title and features on cover page. Added P_{TOT} value at $T_C = 25\text{ °C}$ in <i>Table 2: Absolute maximum ratings</i> . Updated <i>Section 4: Package mechanical data</i> .
20-Aug-2014	4	Modified: title, features and description Modified: <i>Figure 2</i> and <i>3</i> Updated: <i>Section 4: Package mechanical data</i> . Minor text changes
17-Sep-2018	5	Removed maturity status indication. Updated title and description on cover page. Updated Table 1. Absolute maximum ratings and Table 6. Source-drain diode . Updated Section 4.1 PowerFLAT™ 5x6 type C package information . Minor text changes

Contents

1	Electrical ratings	2
2	Electrical characteristics	3
2.1	Electrical characteristics (curves)	4
3	Test circuits	6
4	Package information	7
4.1	PowerFLAT™ 5x6 type C package information	7
4.2	PowerFLAT™ 5x6 packing information	8
	Revision history	11

IMPORTANT NOTICE – PLEASE READ CAREFULLY

STMicroelectronics NV and its subsidiaries (“ST”) reserve the right to make changes, corrections, enhancements, modifications, and improvements to ST products and/or to this document at any time without notice. Purchasers should obtain the latest relevant information on ST products before placing orders. ST products are sold pursuant to ST’s terms and conditions of sale in place at the time of order acknowledgement.

Purchasers are solely responsible for the choice, selection, and use of ST products and ST assumes no liability for application assistance or the design of Purchasers’ products.

No license, express or implied, to any intellectual property right is granted by ST herein.

Resale of ST products with provisions different from the information set forth herein shall void any warranty granted by ST for such product.

ST and the ST logo are trademarks of ST. All other product or service names are the property of their respective owners.

Information in this document supersedes and replaces information previously supplied in any prior versions of this document.

© 2018 STMicroelectronics – All rights reserved