



STLVD111

Programmable low voltage 1:10 differential LVDS clock driver

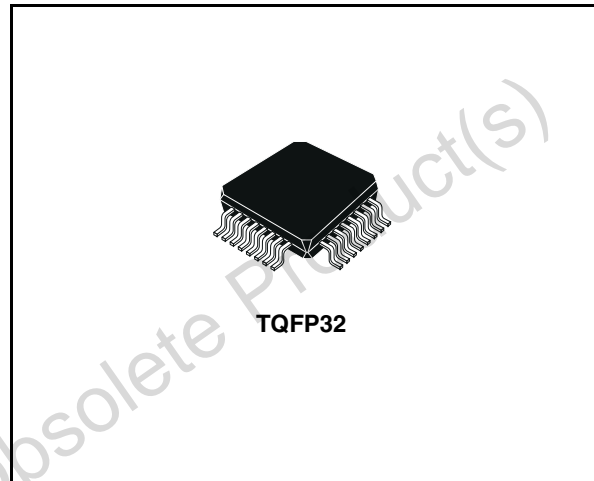
Features

- 100ps part-to part skew
- 50ps bank skew
- Differential design
- Meets LVDS spec. for driver outputs and receiver inputs
- Reference voltage available output V_{BB}
- Low voltage V_{CC} range of 2.375V to 2.625V
- High signalling rate capability (exceeds 622MHz)
- Support open, short and terminated input fail-safe (low output state)
- Programmable drivers power off control

Description

The STLVD111 is a low skew programmable 1 to 10 differential LVDS driver, designed for clock distribution. The select signal is fanned out to 10 identical differential outputs.

The STLVD111 is provided with a 11 bit shift register with a serial in and a Control Register. The purpose is to enable or power off each output clock channel and to select the clock input. The



STLVD111 is specifically designed, modelled and produced with low skew as the key goal. Optimal design and layout serve to minimize gate to gate skew within a device. The net result is a dependable guaranteed low skew device.

The STLVD111 can be used for high performance clock distribution in 2.5V systems with LVDS levels. Designers can take advantage of the device's performance to distribute low skew clocks across the backplane or the board.

Order codes

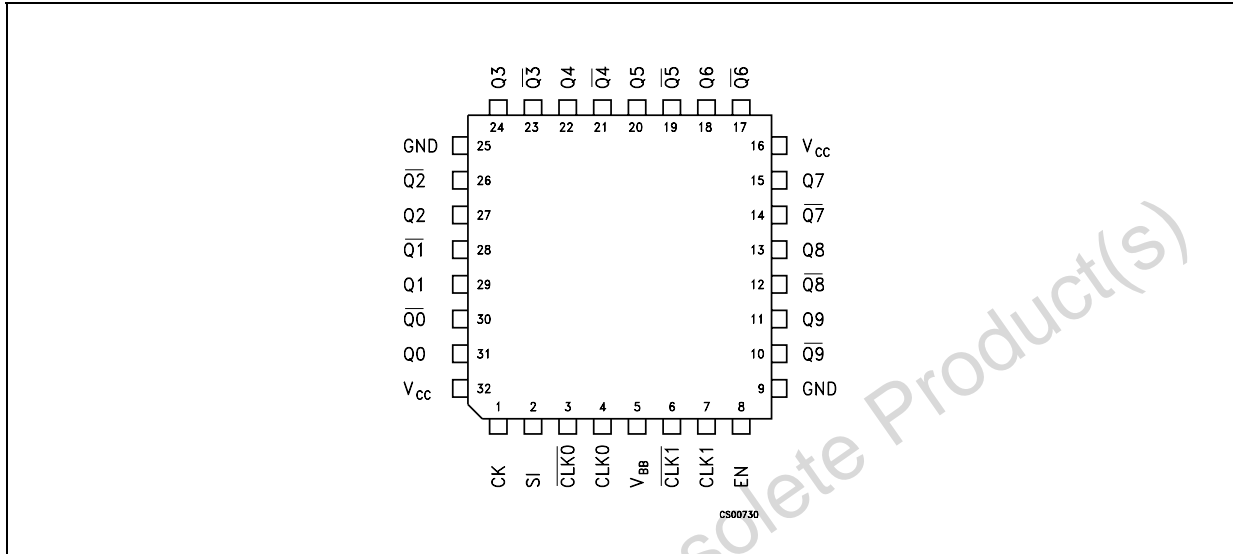
Part number	Temperature range	Package	Packaging
STLVD111BFR	-40 to 85 °C	TQFP32 (Tape & Reel)	2400 parts per reel

Contents

1	Pin configuration	3
2	Maximum ratings	5
3	Electrical characteristics	6
4	Specification of control register	8
4.1	Programmed mode (EN=1)	8
4.2	Standard mode (EN=0)	8
5	Diagram	10
6	Package mechanical data	15
7	Revision history	18

1 Pin configuration

Figure 1. Pin connections



Obsolete Product(s) - Obsolete Product(s)

Table 1. Pin description

Pin n°	Symbol	Name and function
1	CK	Control register clock
2	SI	Control register serial IN/CLK_SEL
3	CLK0	Differential input
4	CLK0	Differential input
5	V _{BB}	Output reference voltage
6	CLK1	Differential input
7	CLK1	Differential input
8	EN	Device enable/program
9	GND	Ground
10	Q9	Differential outputs
11	Q9	Differential outputs
12	Q8	Differential outputs
13	Q8	Differential outputs
14	Q7	Differential outputs
15	Q7	Differential outputs
16	V _{CC}	Supply voltage
17	Q6	Differential outputs
18	Q6	Differential outputs
19	Q5	Differential outputs
20	Q5	Differential outputs
21	Q4	Differential outputs
22	Q4	Differential outputs
23	Q3	Differential outputs
24	Q3	Differential outputs
25	GND	Ground
26	Q2	Differential outputs
27	Q2	Differential outputs
28	Q1	Differential outputs
29	Q1	Differential outputs
30	Q0	Differential outputs
31	Q0	Differential outputs
32	V _{CC}	Supply voltage

2 Maximum ratings

Table 2. Absolute maximum ratings

Symbol	Parameter	Value	Unit
V_{CC}	Supply voltage	-0.3 to 2.8	V
V_I	Input voltage	-0.2 to ($V_{CC}+0.2$)	V
V_O	Output voltage	-0.2 to ($V_{CC}+0.2$)	V
I_{OSD}	Driver short circuit current	Continuous	
ESD	Electrostatic discharge (HBM 1.5K Ω , 100pF)	>2	KV

Note: Absolute Maximum Ratings are those values beyond which damage to the device may occur. Functional operation under these condition is not implied.

Table 3. Recommended operating conditions

Symbol	Parameter	Min.	Typ.	Max.	Unit
V_{CC}	Supply voltage	2.375		2.625	V
V_{IC}	Receiver common mode input voltage	0.5(V_{ID})		2-0.5(V_{ID})	V
T_A	Operating free-air temperature range	-40		85	$^{\circ}\text{C}$
T_J	Operating junction temperature	-40		105	$^{\circ}\text{C}$

Table 4. Thermal data

Symbol	Parameter	Value	Unit
R_{thJC}	Thermal resistance junction-case	13	$^{\circ}\text{C}/\text{W}$

3 Electrical characteristics

Table 5. Driver electrical characteristics ($T_A = -40$ to 85 °C, $V_{CC} = 2.5V \pm 5\%$, unless otherwise specified *Note: 1, 2*)

Symbol	Parameter	Test condition	Min.	Typ.	Max.	Unit
V_{OD}	Output differential voltage (<i>Figure 4.</i>)	$R_L = 100 \Omega$	400	500	600	mV
ΔV_{OD}	V_{OD} magnitude change				30	mV
V_{OS}	Offset voltage	$-40 \leq T_A \leq 85^\circ\text{C}$	1.05	1.15	1.25	V
ΔV_{OS}	V_{OS} magnitude change				30	V
I_{OS}	Output short circuit current	$V_O = 0V$		15	30	mA
		$V_{OD} = 0V$		7	15	

Note: 1 All currents into device pins are positive; all currents out of device pins are negative. All voltages are referenced to device ground unless otherwise specified.

2 All typical values are given for $V_{CC} = 2.5V$ and $T_A = 25^\circ\text{C}$ unless otherwise stated

Table 6. Receiver electrical characteristics ($T_A = -40$ to 85 °C, $V_{CC} = 2.5V \pm 5\%$, unless otherwise specified *Note: 1, 2*)

Symbol	Parameter	Test condition	Min.	Typ.	Max.	Unit
V_{IDH}	Input threshold high				100	mV
V_{IDL}	Input threshold low		-100			mV
I_{IN}	Input current	$V_I = 0V$		42	100	μA
		$V_I = 0V_{CC}$		2	10	

Note: 1 All currents into device pins are positive; all currents out of device pins are negative. All voltages are referenced to device ground unless otherwise specified.

2 All typical values are given for $V_{CC} = 2.5V$ and $T_A = 25^\circ\text{C}$ unless otherwise stated

Table 7. Driver electrical characteristics ($T_A = -40$ to 85 °C, $V_{CC} = 2.5V \pm 5\%$, unless otherwise specified *Note: 1, 2*)

Symbol	Parameter	Test condition	Min.	Typ.	Max.	Unit
V_{BB}	Output reference voltage	$V_{CC} = 2.5$ V	1.15	1.25	1.35	V
I_{CCD}	Power supply current	All driver enabled and loaded		125	160	mA
C_{IN}	Input capacitance	$V_I = 0V$ to V_{CC}		5		pF
C_{OUT}	Output capacitance			5		pF
V_{IH}	Logic input high threshold	$V_{CC} = 2.5$ V	2			V
V_{IL}	Logic input low threshold	$V_{CC} = 2.5$ V			0.8	V
I_I	Logic input current	$V_{CC} = 2.5$ V, $V_{IN} = V_{CC}$ or GND			± 10	μA

Note: 1 All currents into device pins are positive; all currents out of device pins are negative. All voltages are referenced to device ground unless otherwise specified

2 All typical values are given for $V_{CC} = 2.5V$ and $T_A = 25^\circ C$ unless otherwise stated

Table 8. LVDS timing characteristics ($T_A = -40$ to 85 °C, $V_{CC} = 2.5V \pm 5\%$, unless otherwise specified)

Symbol	Parameter	Test condition	Min.	Typ.	Max.	Unit
t_{TLH}, t_{THL}	Transition time	$R_L = 100 \Omega$, $C_L = 5$ pF, <i>Figure 7., Figure 8.)</i>		220	300	ps
t_{PHL}, t_{PLH}	Propagation delay time	<i>(Figure 7., Figure 8.)</i>		2	2.5	ns
f_{MAX}	Maximum input frequency		700	900		MHz
t_{SKEW}	Bank skew	<i>(Figure 3.)</i>		50		ps
	Part to part skew	<i>(Figure 4.)</i>		100		
	Pulse skew	<i>(Figure 5.)</i>		50		

Table 9. Control register timing characteristics ($T_A = -40$ to 85 °C, $V_{CC} = 2.5V \pm 5\%$, unless otherwise specified)

Symbol	Parameter	Test condition	Min.	Typ.	Max.	Unit
f_{MAX}	Maximum frequency of shift register	<i>(Figure 9.)</i>	100	150		MHz
t_s	Clock to SI setup time	<i>(Figure 9.)</i>			2	ns
t_h	Clock to SI hold time	<i>(Figure 9.)</i>			1.5	ns
t_{rem}	Enable to clock removal time	<i>(Figure 9.)</i>			1.5	ns
t_{W}	Minimum clock pulse width	<i>(Figure 9.)</i>	3			ns

4 Specification of control register

The STLVD111 is provided with a 11 bit shift register with a Serial In and a Control Register. The purpose is to enable or power of each output clock channel and to select the clock input. The STLVD111 provides two working modality:

4.1 Programmed mode (EN=1)

The shift register have a serial input to load the working configuration. Once the configuration is loaded with 11 clock pulse, another clock pulse load the configuration into the control register. The first bit on the serial input line enables the outputs Q9 and Q9, the second bit enables the outputs Q8 and Q8 and so on. The last bit is the clock selection bit. To restart the configuration of the shift register a reset of the state machine must be done with a clock pulse on CK and the EN set to Low. The control register shift register can be configured on time after each reset.

4.2 Standard mode (EN=0)

In Standard Mode the STLVD111 isn't programmable, all the clock outputs are enabled. The LVDS clock input is selected from Clock 0 or Clock 1 with the SI pin as shown in the Truth Table below.

Table 10. Truth table of state machine inputs

EN	SI	CK	Output
L	L	X	All output enabled, Clock 0 selected, control register disabled
L	H	X	All output enabled, Clock 1 selected, control register disabled
H	L	┘	First stage stores "L", other stages store the data of previous stage
H	H	┘	First stage stores "H", other stages store the data of previous stage
L	X	┘	Reset of the state machine, shift register and control register

Table 11. Serial input sequence

BIT#10	BIT#9	BIT#8	BIT#7	BIT#6	BIT#5	BIT#4	BIT#3	BIT#2	BIT#1	BIT#0
CLK_SEL	Q0	Q1	Q2	Q3	Q4	Q5	Q6	Q7	Q8	Q9

Table 12. Truth table of the control register

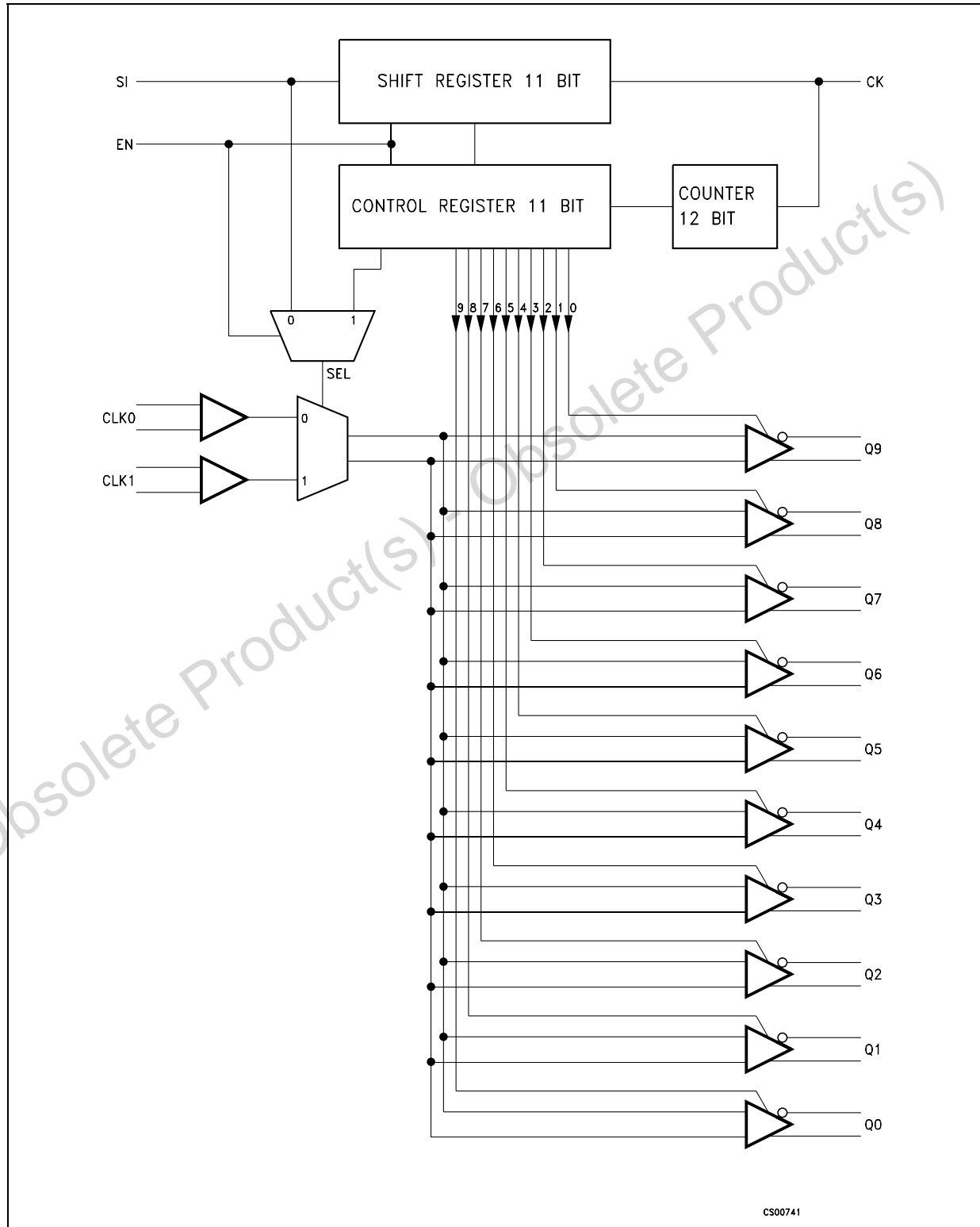
BIT#10	BIT#(0-9)	Qn(0-9)
L	H	Clock 0
H	H	Clock 1
X	L	Qn Output Disabled

Table 13. Truth table

CK	EN	SI	CLK 0	$\overline{\text{CLK 0}}$	CLK 1	$\overline{\text{CLK 1}}$	Q (0-9)	$\overline{\text{Q}}(0-9)$
L	L	L	L	H	X	X	L	H
L	L	L	H	L	X	X	H	L
L	L	L	Open	Open	X	X	L	H
L	L	H	X	X	L	H	L	H
L	L	H	X	X	H	L	H	L
L	L	H	X	X	Open	Open	L	H
All drivers enable								

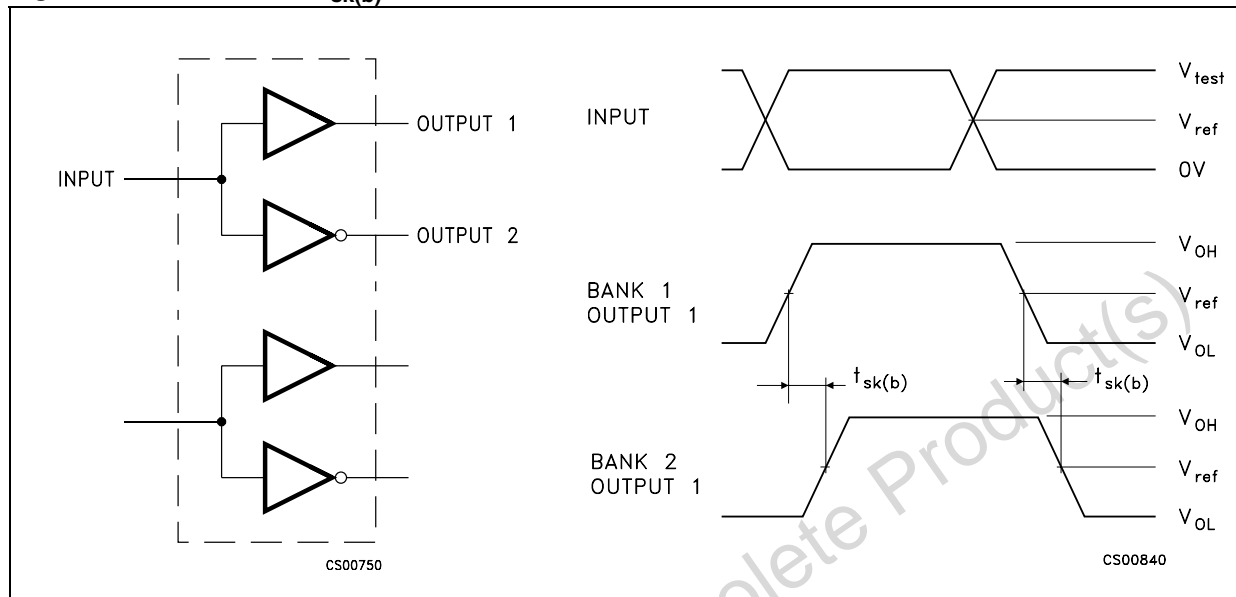
5 Diagram

Figure 2. Logic diagram



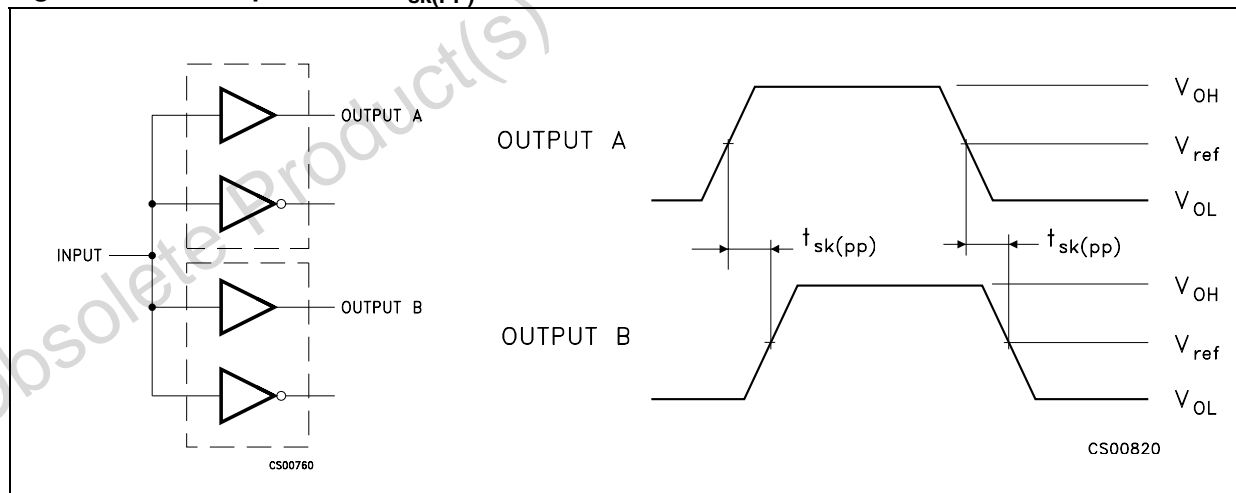
CS00741

Figure 3. Bank skew - $t_{sk(b)}$ ⁽¹⁾



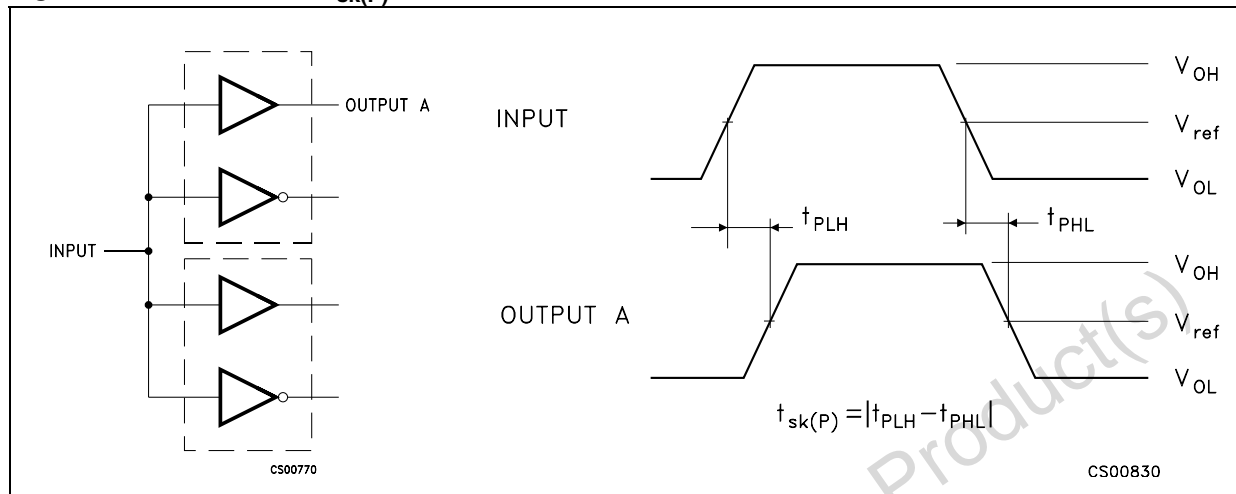
1. BANKSKEW is the magnitude of the time difference between outputs with a single driving input terminal

Figure 4. Part to part skew - $t_{sk(pp)}$ ⁽¹⁾



1. PART TO PART SKEW is the magnitude of the difference in propagation delay times between any specific terminals of two devices when both devices operate with the same input signals, the same supply voltages, and the same temperature, and have identical packages and test circuits.

Figure 5. Pulse skew - $t_{sk(P)}$ ⁽¹⁾



1. PULSE SKEW is the magnitude of the time difference between the high to low and low to high propagation delay times at an output.

Figure 6. Voltage and current definition

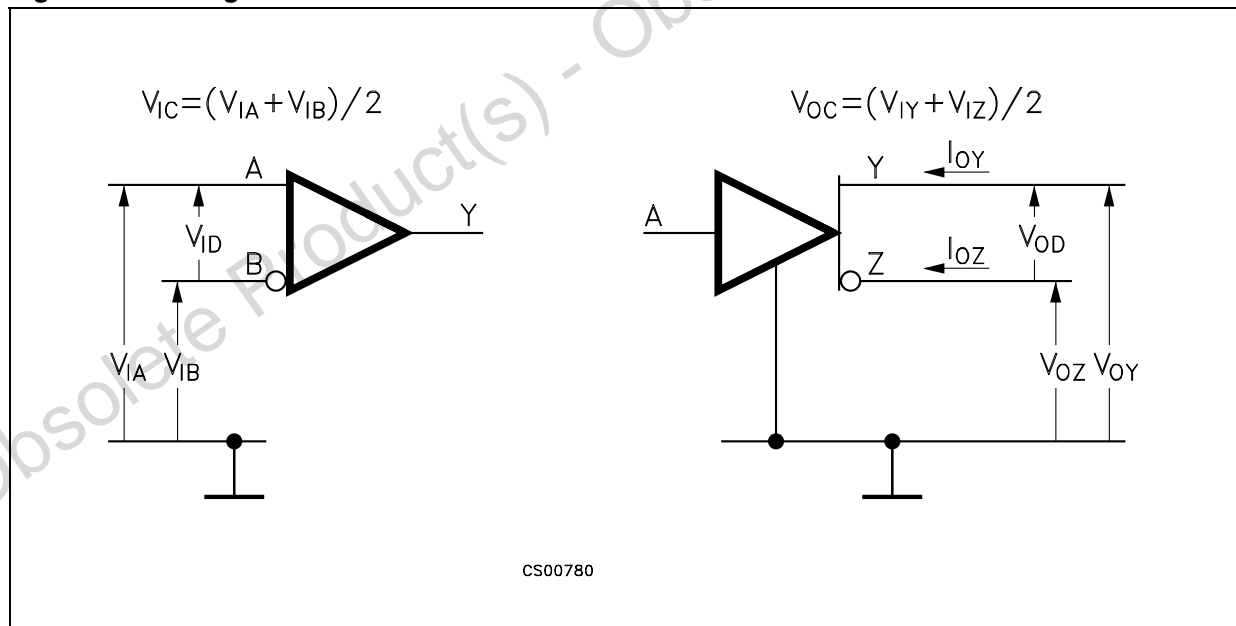


Figure 7. Test circuit and voltage definition for the differential output signal

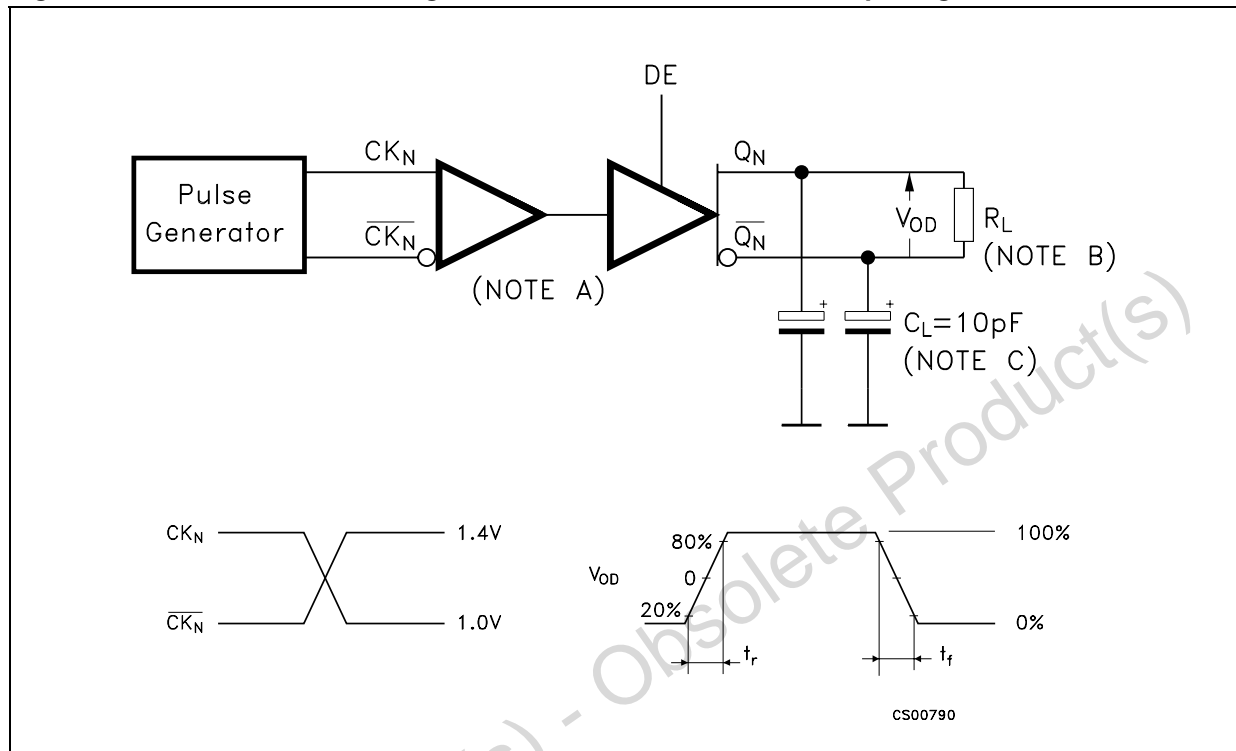


Figure 8. Differential receiver to drive propagation delay and drive transition time waveforms

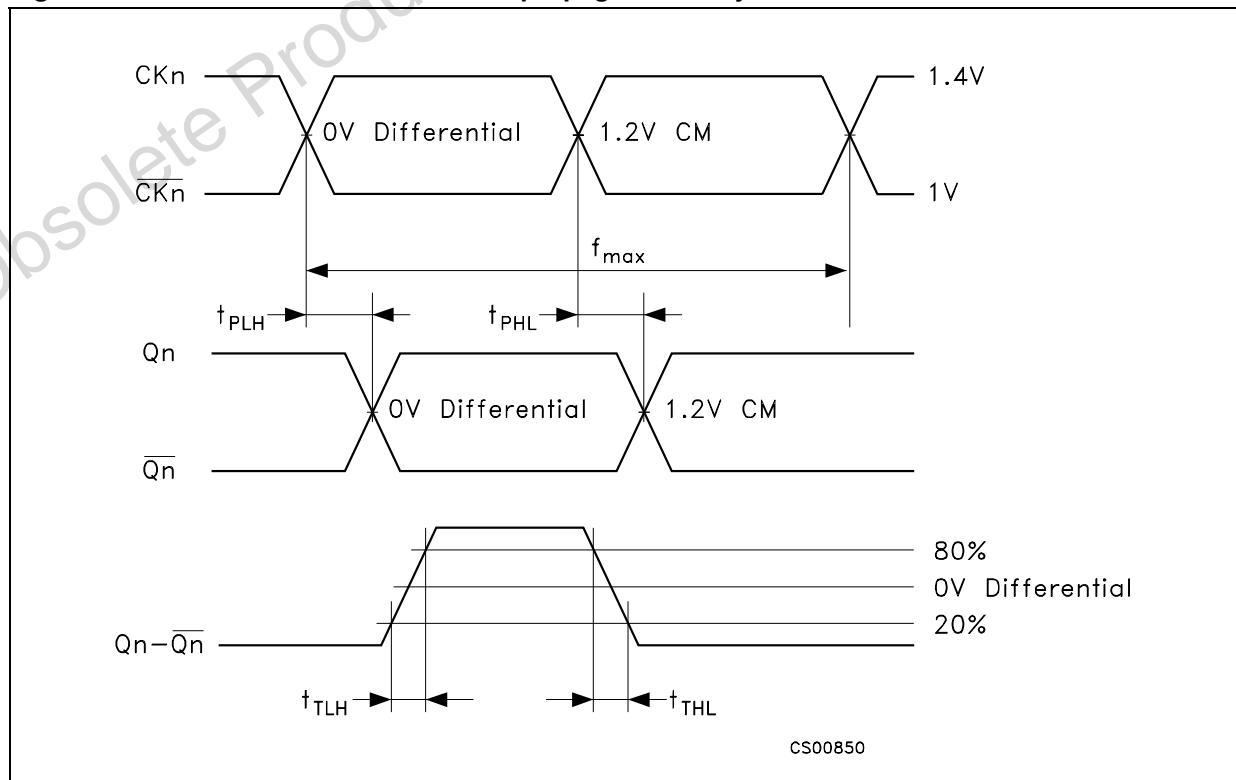
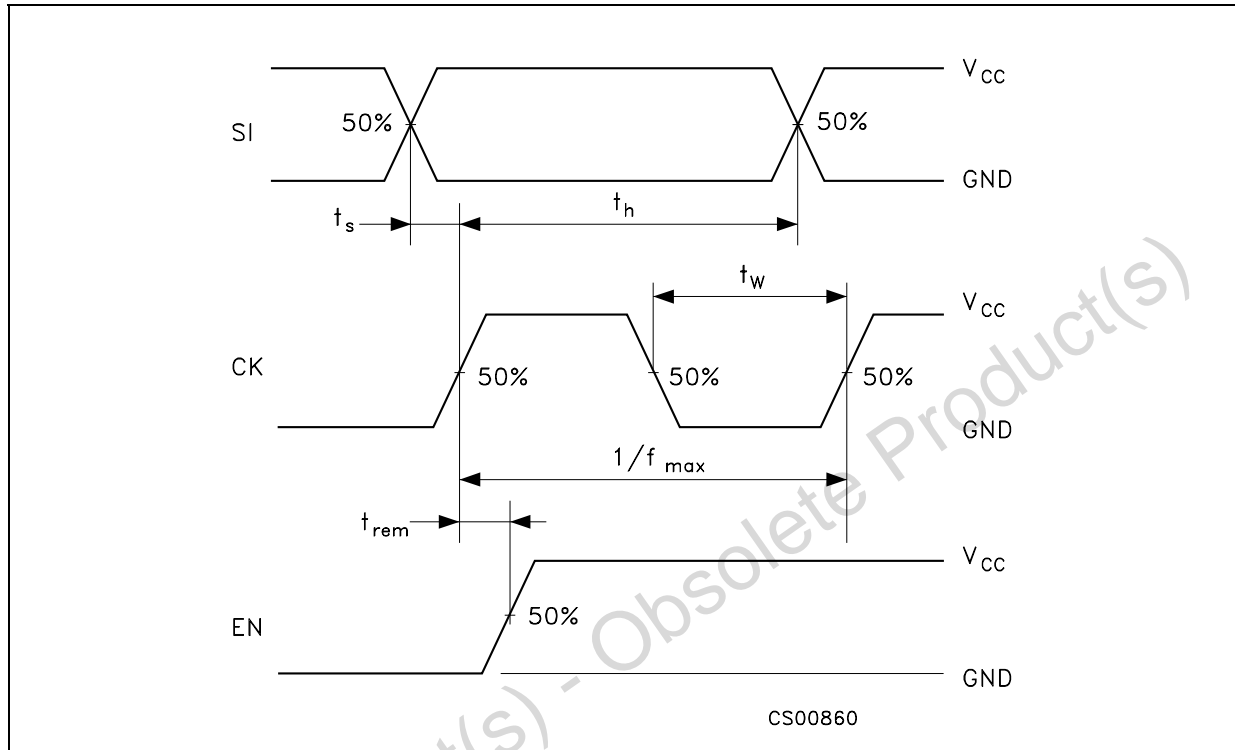


Figure 9. Set-Up, hold and the removal time, maximum frequency, minimum pulse width waveforms



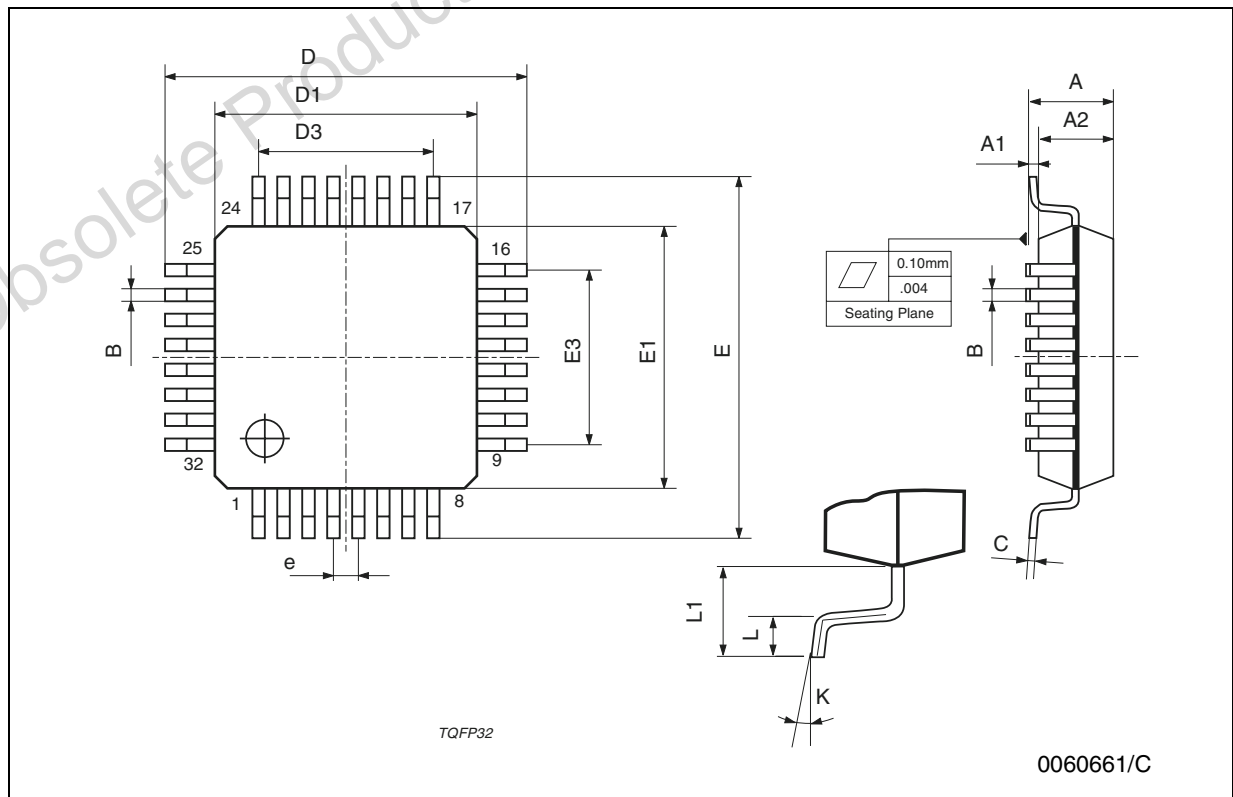
6 Package mechanical data

In order to meet environmental requirements, ST offers these devices in ECOPACK® packages. These packages have a Lead-free second level interconnect. The category of second Level Interconnect is marked on the package and on the inner box label, in compliance with JEDEC Standard JESD97. The maximum ratings related to soldering conditions are also marked on the inner box label. ECOPACK is an ST trademark. ECOPACK specifications are available at: www.st.com.

Obsolete Product(s) - Obsolete Product(s)

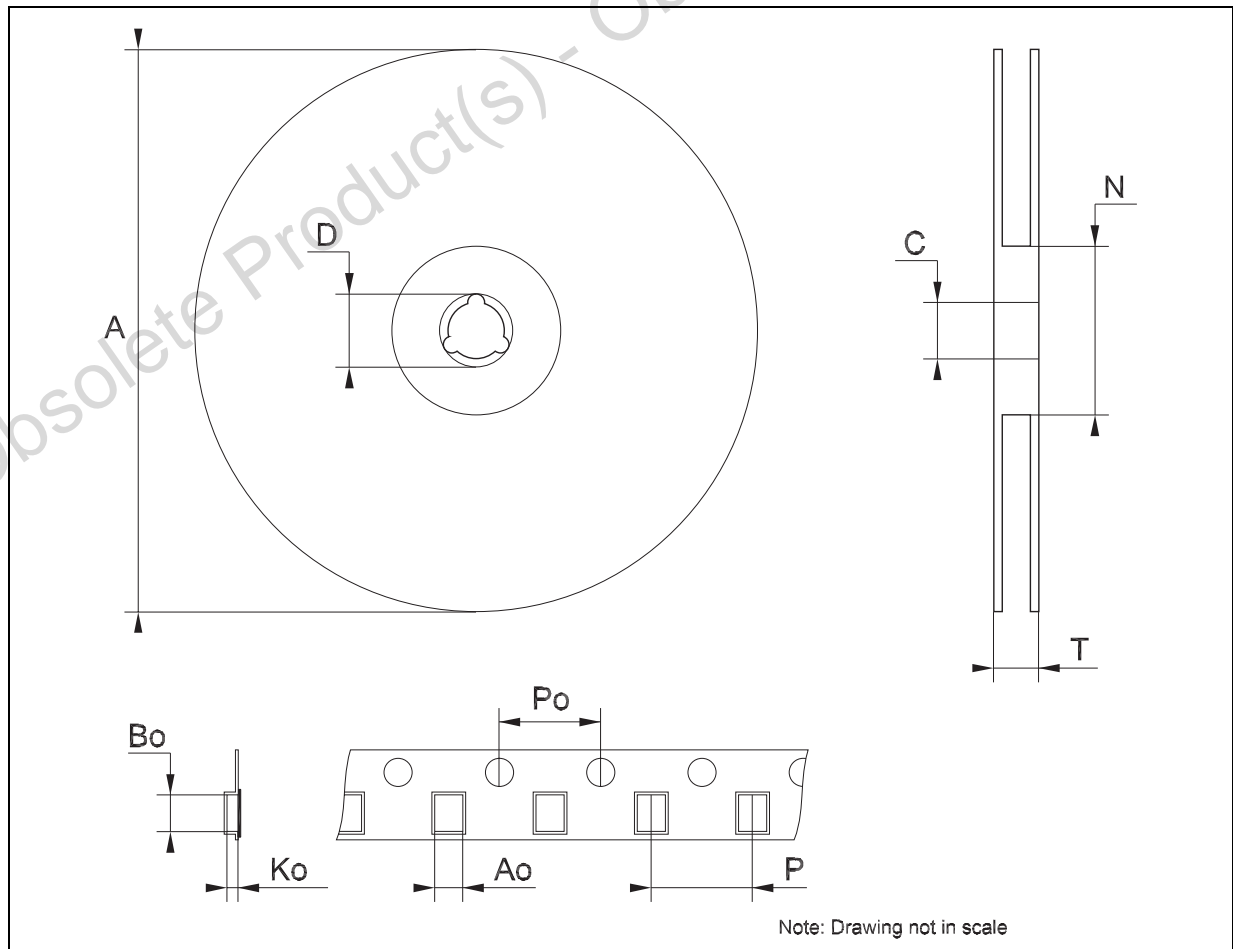
TQFP32 MECHANICAL DATA

DIM.	mm.			inch		
	MIN.	TYP	MAX.	MIN.	TYP.	MAX.
A			1.6			0.063
A1	0.05		0.15	0.002		0.006
A2	1.35	1.40	1.45	0.053	0.055	0.057
B	0.30	0.37	0.45	0.012	0.015	0.018
C	0.09		0.20	0.0035		0.0079
D		9.00			0.354	
D1		7.00			0.276	
D3		5.60			0.220	
e		0.80			0.031	
E		9.00			0.354	
E1		7.00			0.276	
E3		5.60			0.220	
L	0.45	0.60	0.75	0.018	0.024	0.030
L1		1.00			0.039	
K	0°	3.5°	7°	0°	3.5°	7°



Tape & Reel TQFP32 MECHANICAL DATA

DIM.	mm.			inch		
	MIN.	TYP	MAX.	MIN.	TYP.	MAX.
A			330			12.992
C	12.8		13.2	0.504		0.519
D	20.2			0.795		
N	60			2.362		
T			22.4			0.882
Ao	9.5		9.7	0.374		0.382
Bo	9.5		9.7	0.374		0.382
Ko	2.1		2.3	0.083		0.091
Po	3.9		4.1	0.153		0.161
P	11.9		12.1	0.468		0.476



7 Revision history

Table 14. Revision history

Date	Revision	Changes
30-May-2007	8	Order codes has been updated and the document has been reformatted.

Obsolete Product(s) - Obsolete Product(s)

Please Read Carefully:

Information in this document is provided solely in connection with ST products. STMicroelectronics NV and its subsidiaries ("ST") reserve the right to make changes, corrections, modifications or improvements, to this document, and the products and services described herein at any time, without notice.

All ST products are sold pursuant to ST's terms and conditions of sale.

Purchasers are solely responsible for the choice, selection and use of the ST products and services described herein, and ST assumes no liability whatsoever relating to the choice, selection or use of the ST products and services described herein.

No license, express or implied, by estoppel or otherwise, to any intellectual property rights is granted under this document. If any part of this document refers to any third party products or services it shall not be deemed a license grant by ST for the use of such third party products or services, or any intellectual property contained therein or considered as a warranty covering the use in any manner whatsoever of such third party products or services or any intellectual property contained therein.

UNLESS OTHERWISE SET FORTH IN ST'S TERMS AND CONDITIONS OF SALE ST DISCLAIMS ANY EXPRESS OR IMPLIED WARRANTY WITH RESPECT TO THE USE AND/OR SALE OF ST PRODUCTS INCLUDING WITHOUT LIMITATION IMPLIED WARRANTIES OF MERCHANTABILITY, FITNESS FOR A PARTICULAR PURPOSE (AND THEIR EQUIVALENTS UNDER THE LAWS OF ANY JURISDICTION), OR INFRINGEMENT OF ANY PATENT, COPYRIGHT OR OTHER INTELLECTUAL PROPERTY RIGHT.

UNLESS EXPRESSLY APPROVED IN WRITING BY AN AUTHORIZED REPRESENTATIVE OF ST, ST PRODUCTS ARE NOT DESIGNED, AUTHORIZED OR WARRANTED FOR USE IN MILITARY, AIR CRAFT, SPACE, LIFE SAVING, OR LIFE SUSTAINING APPLICATIONS, NOR IN PRODUCTS OR SYSTEMS, WHERE FAILURE OR MALFUNCTION MAY RESULT IN PERSONAL INJURY, DEATH, OR SEVERE PROPERTY OR ENVIRONMENTAL DAMAGE.

Resale of ST products with provisions different from the statements and/or technical features set forth in this document shall immediately void any warranty granted by ST for the ST product or service described herein and shall not create or extend in any manner whatsoever, any liability of ST.

ST and the ST logo are trademarks or registered trademarks of ST in various countries.

Information in this document supersedes and replaces all information previously supplied.

The ST logo is a registered trademark of STMicroelectronics. All other names are the property of their respective owners.

© 2007 STMicroelectronics - All rights reserved

STMicroelectronics group of companies

Australia - Belgium - Brazil - Canada - China - Czech Republic - Finland - France - Germany - Hong Kong - India - Israel - Italy - Japan - Malaysia - Malta - Morocco - Singapore - Spain - Sweden - Switzerland - United Kingdom - United States of America

www.st.com