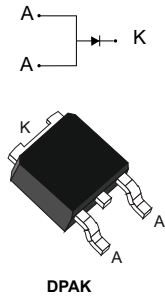


100 V - 10 A DPAK power Schottky trench rectifier



Features

- High junction temperature capability
- Low forward voltage drop
- Low recovery charges
- Reduces conduction, reverse and switching losses
- Avalanche tested
- ECOPACK2 compliant

Applications

- DC/DC converter
- LED lighting
- Flyback topology
- Auxiliary power supply
- Switch mode power supply (SMPS)



Product label



Product status link

[STPST10H100SB](#)

Product summary

$I_{F(AV)}$	10 A
V_{RRM}	100 V
T_j (max.)	175 °C
V_F (typ.)	0.570 V

Description

This 10 A, 100 V rectifier is based on ST trench technology that achieves the best-in-class V_F/I_R trade-off for a given silicon surface.

Integrated in a DPAK package, this STPST10H100SB trench rectifier is intended to be used in high frequency miniature switched mode power supplies. It is also an ideal candidate for auxiliary power supply in telecom, server, or smart metering. ST trench rectifiers are adapted to freewheeling, OR-ring or reverse polarity protection applications, and can be the perfect companion device to our transistors, drivers, or ST VIPer products.

1 Characteristics

Table 1. Absolute ratings (limiting values at 25 °C, unless otherwise specified, with 2 anode terminals short-circuited)

Symbol	Parameter		Value	Unit
V_{RRM}	Repetitive peak reverse voltage		100	V
$I_{F(RMS)}$	Forward rms current		45	A
$I_{F(AV)}$	Average forward current, $\delta = 0.5$ square wave	$T_c = 165\text{ °C}$	10	A
I_{FSM}	Surge non repetitive forward current	$t_p = 10\text{ ms}$ sinusoidal	210	A
I_{AS}	Single pulse avalanche current ⁽¹⁾	$T_j = 25\text{ °C}$, $L = 300\text{ }\mu\text{H}$, $V_{DD} = 15\text{ V}$	14	A
T_{stg}	Storage temperature range		-65 to +175	°C
T_j	Maximum operating junction temperature ⁽²⁾		+175	°C

1. Please refer to [Figure 1](#) and [Figure 2](#) for the unclamped inductive switching test circuit, and waveform.

2. $(dP_{tot}/dT_j) < (1/R_{th(j-a)})$ condition to avoid thermal runaway for a diode on its own heatsink.

Table 2. Thermal resistance parameter

Symbol	Parameter	Typ. value	Unit
$R_{th(j-c)}$	Junction to case	0.7	°C/W

For more information, please refer to the following application note:

- [AN5088](#): Rectifiers thermal management, handling and mounting recommendations

Table 3. Static electrical characteristics

Symbol	Parameter	Test conditions		Min.	Typ.	Max.	Unit
$I_R^{(1)}$	Reverse leakage current	$T_j = 125\text{ °C}$	$V_R = 70\text{ V}$	-	2.0	6.4	mA
		$T_j = 25\text{ °C}$	$V_R = 100\text{ V}$	-		26	μA
		$T_j = 125\text{ °C}$		-	4.0	13.5	mA
$V_F^{(2)}$	Forward voltage drop	$T_j = 25\text{ °C}$	$I_F = 5\text{ A}$	-	0.545	0.605	V
		$T_j = 125\text{ °C}$		-	0.470	0.530	
		$T_j = 25\text{ °C}$	$I_F = 10\text{ A}$	-	0.645	0.715	
		$T_j = 125\text{ °C}$		-	0.570	0.625	

1. Pulse test: $t_p = 5\text{ ms}$, $\delta < 2\%$

2. Pulse test: $t_p = 380\text{ }\mu\text{s}$, $\delta < 2\%$

To evaluate the conduction losses, use the following equation:

$$P = 0.435 \times I_{F(AV)} + 0.019 \times I_{F(RMS)}^2$$

For more information, please refer to the following application notes related to the power losses:

- [AN604](#): Calculation of conduction losses in a power rectifier
- [AN4021](#): Calculation of reverse losses on a power diode

Figure 1. Current and voltage waveforms for avalanche energy test across D.U.T (device under test)

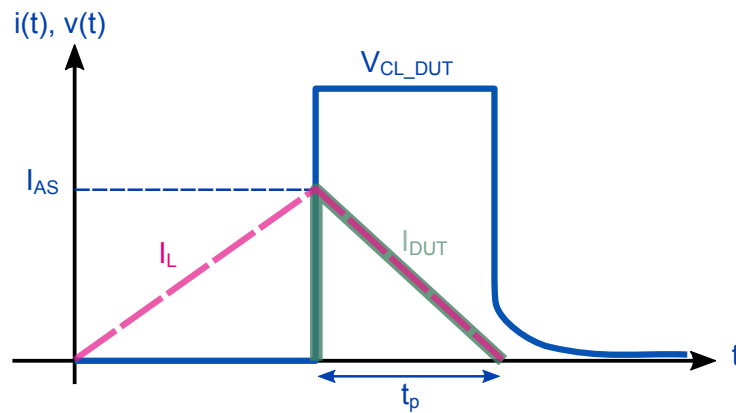
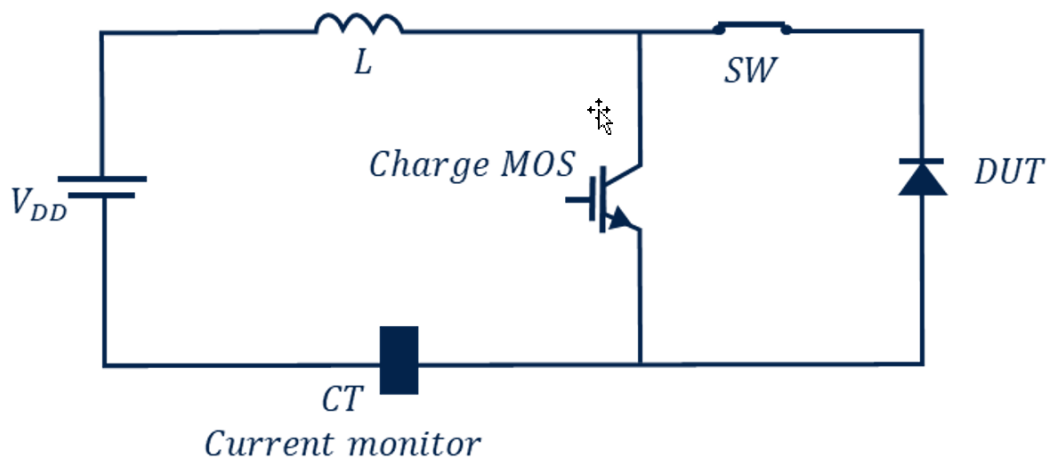


Figure 2. Unclamped inductive switching test circuit



$$E_{AS} = \frac{1}{2} \times L \times I_{AS}^2 \times \left(\frac{V_{CLDUT}}{V_{CLDUT} - V_{DD}} \right) \cong \frac{1}{2} \times L \times I_{AS}^2$$

$$t_p = \left(\frac{L \times I_{AS}}{V_{CLDUT} - V_{DD}} \right)$$

1.1 Characteristics (curves)

Figure 3. Average forward current versus case temperature ($\delta = 0.5$)

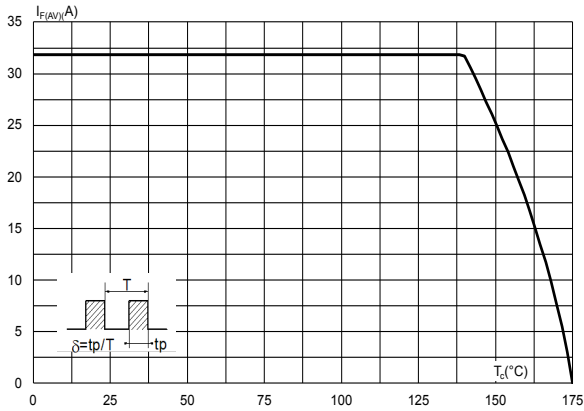


Figure 4. Relative variation of thermal impedance junction to case versus pulse duration

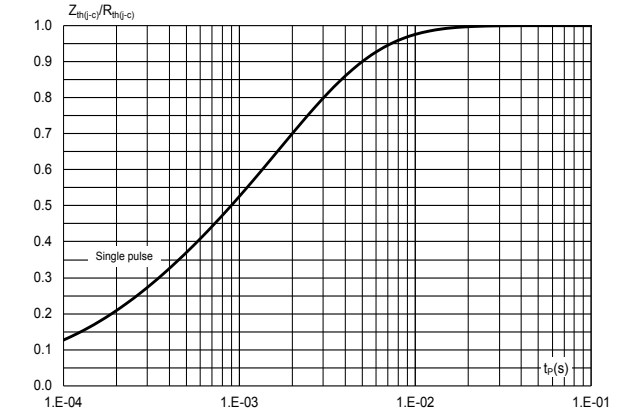


Figure 5. Reverse leakage current versus reverse voltage applied (typical values)

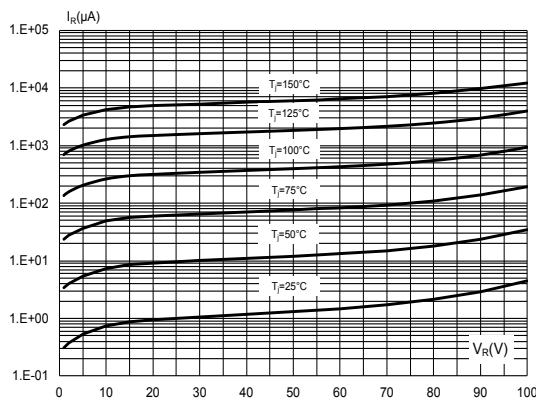


Figure 6. Junction capacitance versus reverse voltage applied (typical values)

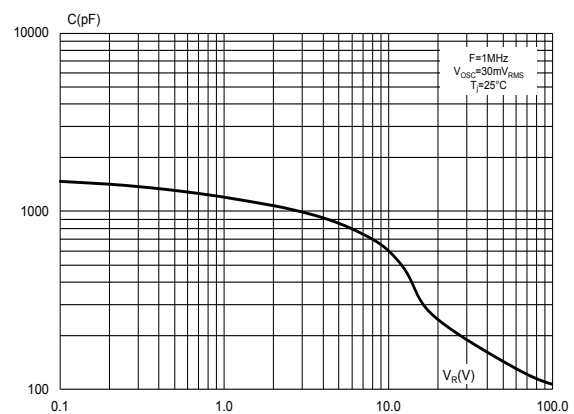


Figure 7. Forward voltage drop versus forward current (typical values)

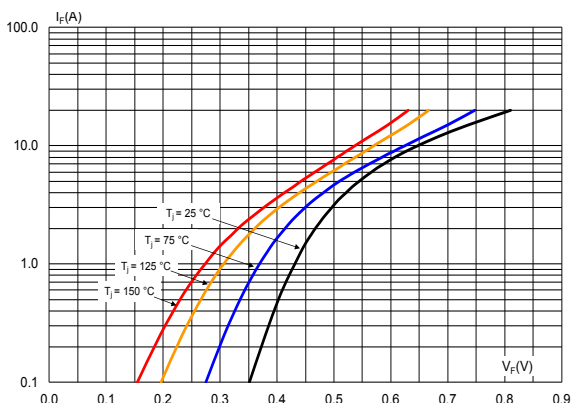
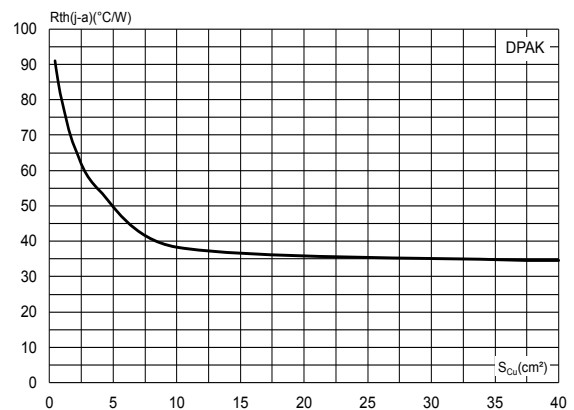


Figure 8. Thermal resistance junction to ambient versus copper surface under tab (typical values, epoxy printed board FR4, $e_{Cu} = 70 \mu m$)



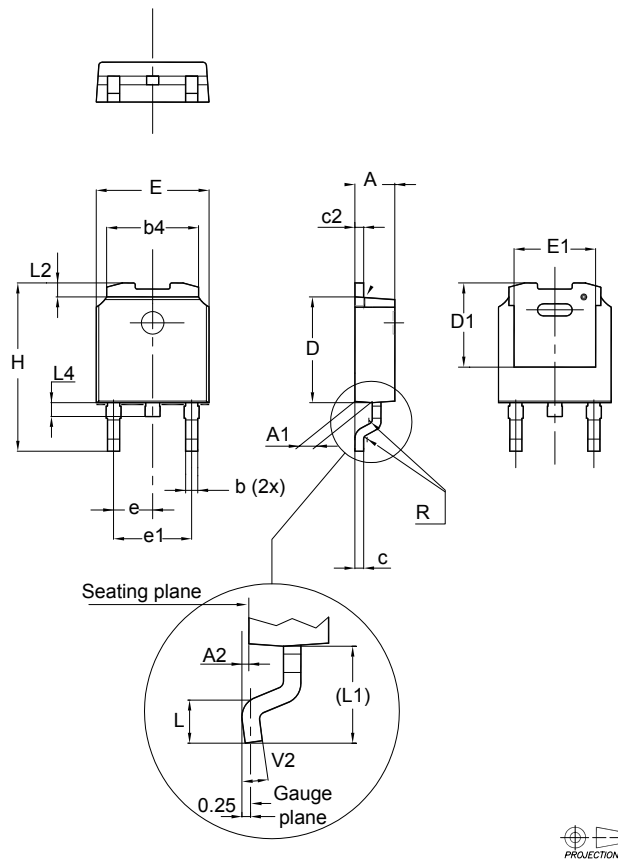
2 Package information

In order to meet environmental requirements, ST offers these devices in different grades of **ECOPACK** packages, depending on their level of environmental compliance. ECOPACK specifications, grade definitions and product status are available at: www.st.com. ECOPACK is an ST trademark.

2.1 DPAK package information

- Epoxy meets UL94, V0

Figure 9. DPAK package outline



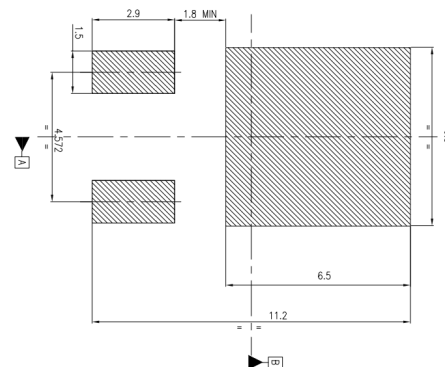
Note: This package drawing may slightly differ from the physical package. However, all the specified dimensions are guaranteed.

Table 4. DPAK mechanical data

Dim.	Dimensions					
	Millimeters			Inches ⁽¹⁾		
	Min.	Typ.	Max.	Min.	Typ.	Max.
A	2.20		2.40	0.087		0.094
A1	0.90		1.10	0.035		0.043
A2	0.03		0.23	0.001		0.009
b	0.64		0.90	0.025		0.035
b4	5.20		5.40	0.205		0.213
c	0.45		0.60	0.018		0.024
c2	0.48		0.60	0.019		0.024
D	6.00		6.20	0.236		0.244
D1	4.95	5.10	5.25	0.195	0.201	0.207
E	6.40		6.60	0.252		0.260
E1	4.60	4.70	4.80	0.181	0.185	0.189
e	2.159	2.286	2.413	0.085	0.090	0.095
e1	4.445	4.572	4.699	0.175	0.180	0.185
H	9.35		10.10	0.368		0.398
L	1.00		1.50	0.039		0.059
(L1)	2.60	2.80	3.00	0.102	0.110	0.118
L2	0.65	0.80	0.95	0.026	0.031	0.037
L4	0.60		1.00	0.024		0.039
R		0.20			0.008	
V2	0°		8°	0°		8°

1. Inches dimensions given for reference only

Figure 10. DPAK recommended footprint (dimensions are in mm)



Note: For package and tape orientation, reel and inner box dimensions and tape outline please check [TN1173](#)

3 Ordering information

Table 5. Ordering information

Order code	Marking	Package	Weight	Base qty.	Delivery mode
STPST10H100SB-TR	STPST 10H1	DPAK	0.32 g	2500	Tape and reel

Revision history

Table 6. Document revision history

Date	Revision	Changes
16-Dec-2022	1	Initial release.
21-Jul-2023	2	Updated Features.

IMPORTANT NOTICE – READ CAREFULLY

STMicroelectronics NV and its subsidiaries (“ST”) reserve the right to make changes, corrections, enhancements, modifications, and improvements to ST products and/or to this document at any time without notice. Purchasers should obtain the latest relevant information on ST products before placing orders. ST products are sold pursuant to ST’s terms and conditions of sale in place at the time of order acknowledgment.

Purchasers are solely responsible for the choice, selection, and use of ST products and ST assumes no liability for application assistance or the design of purchasers’ products.

No license, express or implied, to any intellectual property right is granted by ST herein.

Resale of ST products with provisions different from the information set forth herein shall void any warranty granted by ST for such product.

ST and the ST logo are trademarks of ST. For additional information about ST trademarks, refer to www.st.com/trademarks. All other product or service names are the property of their respective owners.

Information in this document supersedes and replaces information previously supplied in any prior versions of this document.

© 2023 STMicroelectronics – All rights reserved