

Low-power, 1 MHz, rail-to-rail, 5 V cost-effective Op Amp



Features

- Gain bandwidth product 1 MHz, unity gain stable
- Rail-to-rail input and output
- Wide supply voltage range: 1.8 V to 5.5 V
- Input offset voltage: 4.5 mV
- Low input bias current: 1 pA typ.
- Extended temperature range: -40 °C to +125 °C

Applications

- Cost-sensitive applications
- Battery-powered products

Description

The TSL6001, TSL6002 and the TSL6004 are single, dual and quad 1 MHz-bandwidth unity-gain-stable amplifiers. The rail-to-rail input stage and the wide supply range from 1.8 V to 5.5 V make the TSL600x ideal for low voltage signal conditioning.

Product status link	
SC70-5	TSL6001
SOT23-5	
MiniSO8	TSL6002
SO8	
TSSOP14	TSL6004
Related products	
For higher bandwidth	TSL6201
For more power savings	TSL6801

1 Pin description

1.1 TSL6001 single operational amplifier

Figure 1. SC70-5 and SOT23-5 pin connections (top view)

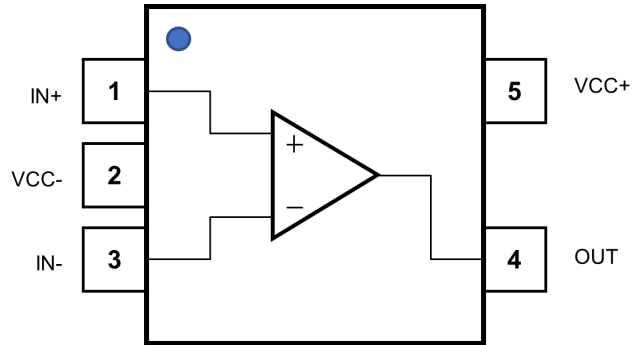


Table 1. SC70-5 and SOT23-5 pin description

Pin	Pin name	Description
1	IN+	Non-inverting input channel
2	VCC-	Negative supply voltage
3	IN-	Inverting input channel
4	OUT	Output channel
5	VCC+	Positive supply voltage

1.2 TSL6002 dual operational amplifier

Figure 2. MiniSO8 and SO8 pin connection (top view)

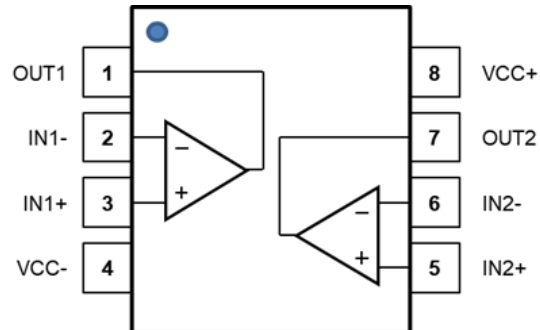


Table 2. MiniSO8 and SO8 pin description

Pin	Pin name	Description
1	OUT1	Output channel 1
2	IN1-	Inverting input channel 1
3	IN1+	Non-inverting input channel 1
4	VCC-	Negative supply voltage
5	IN2+	Non-inverting input channel 2
6	IN2-	Inverting input channel 2
7	OUT2	Output channel 2
8	VCC+	Positive supply voltage

1.3 Quad operational amplifier

Figure 3. TSSOP-14 pin connections (top view)

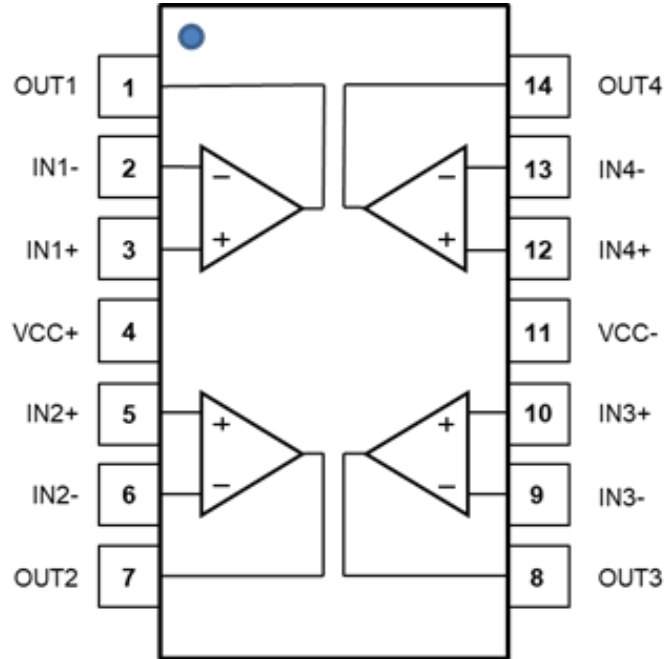


Table 3. TSSOP-14 pin description

Pin	Pin name	Description
1	OUT1	Output channel 1
2	IN1-	Inverting input channel 1
3	IN1+	Non-inverting input channel 1
4	VCC+	Positive supply voltage
5	IN2+	Non-inverting input channel 2
6	IN2-	Inverting input channel 2
7	OUT2	Output channel 2
8	OUT3	Output channel 3
9	IN3-	Inverting input channel 3
10	IN3+	Non-inverting input channel 3
11	VCC-	Negative supply voltage
12	IN4+	Non-inverting input channel 4
13	IN4-	Inverting input channel 4
14	OUT4	Output channel 4

2 Absolute maximum ratings

Table 4. Absolute maximum ratings

Symbol	Parameter ⁽¹⁾	Value	Unit
V _{CC}	Supply voltage	6	V
V _{id}	Input voltage differential (V _{IN+} - V _{IN-})	±V _{CC}	V
V _{in} ⁽²⁾	Input voltage	(V _{CC-}) - 0.2 to (V _{CC+}) + 0.2	V
I _{in}	Input current	±10	mA
T _{stg}	Storage temperature	-65 to +150	°C
R _{th-ja} ⁽³⁾	Thermal resistance junction-to-ambient		°C/W
	SC70-5	205	
	SOT23-5	250	
	MiniSO8	190	
	SO8	125	
	TSSOP-14	100	
T _j	Maximum junction temperature	150	°C
ESD	HBM: human body model ⁽⁴⁾	2	kV
	CDM: charged device model ⁽⁵⁾	1.5	kV

1. All voltage values are with respect to the VCC- pin, unless otherwise specified.
2. The maximum input voltage value may be extended to the condition that the input current is limited to ±10 mA.
3. R_{th-ja} is a typical value.
4. Human body model: HBM test according to the standard ESDA/JEDEC JS-001-2017.
5. Charged device model: the test CDM is done in according to the standard ESDA/JEDEC JS-002-2018.

Table 5. Operating conditions

Symbol	Parameter	Value
V _{CC}	Supply voltage	1.8 to 5.5 V
V _{icm}	Common mode input voltage range (CMR)	V _{CC-} - 0.1 V to V _{CC+} + 0.1 V
T _{oper}	Operating free air temperature range	-40 °C to +125 °C

3 Electrical characteristics

Table 6. Electrical characteristics at $V_{CC} = 1.8\text{ V}$ to 5.5 V , $V_{ICM} = V_{OUT} = V_{CC} / 2$, $T = 25\text{ °C}$ and OUT connected to $V_{CC} / 2$ through $R_L = 10\text{ k}\Omega$ (unless otherwise specified)

Symbol	Parameter	Conditions	Min.	Typ.	Max.	Unit
DC performance						
V_{io}	Input offset voltage			± 0.75	± 4.5	mV
DV_{io}/DT	Input offset voltage temperature drift	$-40\text{ °C} \leq T \leq 125\text{ °C}$		2		$\mu\text{V}/\text{°C}$
I_{ib}	Input bias current			1		μA
I_{io}	Input offset current			1		μA
A_{VD}	Open loop gain	$V_{CC} - 500\text{ mV} \leq V_{OUT} \leq V_{CC} + 500\text{ mV}$	85	95		dB
CMR	Common-mode rejection ratio $20 \cdot \log(\Delta V_{io} / \Delta V_{icm})$	$V_{CC-} \leq V_{icm} \leq V_{CC+}$	53	74		dB
SVR	Supply voltage rejection ratio $20 \cdot \log(DV_{io} / DV_{CC})$	$1.8\text{ V} \leq V_{CC} \leq 5.5\text{ V}$		86		dB
V_{OH}	High level output voltage drop ($V_{OH} = V_{CC+} - V_{OUT}$)				35	mV
V_{OL}	Low level output voltage drop ($V_{OL} = V_{OUT}$)				35	mV
I_{OUT}	Short-circuit	$V_{CC} = 1.8\text{ V}$		± 10		mA
		$V_{CC} = 5\text{ V}$		± 30		
I_{CC}	Supply current (by operational amplifier)	No load		75	100	μA
AC performance						
GBP	Gain bandwidth product			1		MHz
SR	Slew rate	$A_V = 1\text{ V/V}$, 10% to 90%		0.4		$\text{V}/\mu\text{s}$
Φ_m	Phase margin	$C_L = 60\text{ pF}$		50		Degrees
en	Input voltage noise density	$f = 10\text{ kHz}$		45		$\text{nV}/\sqrt{\text{Hz}}$

4 Typical performance characteristics

Figure 4. Supply current vs. supply voltage at $V_{ICM} = V_{CC}/2$

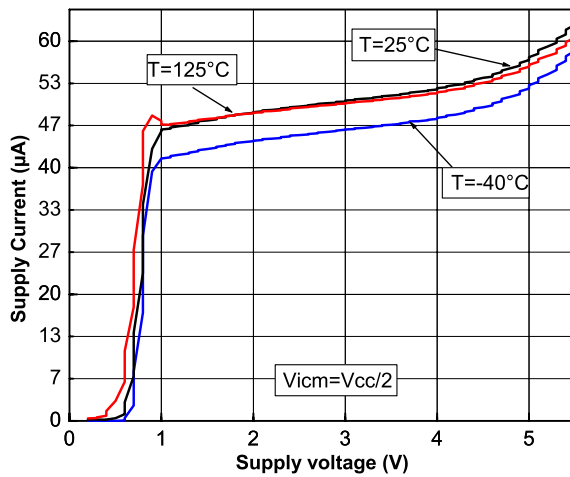


Figure 5. Output current vs. output voltage at $V_{CC} = 5 V$

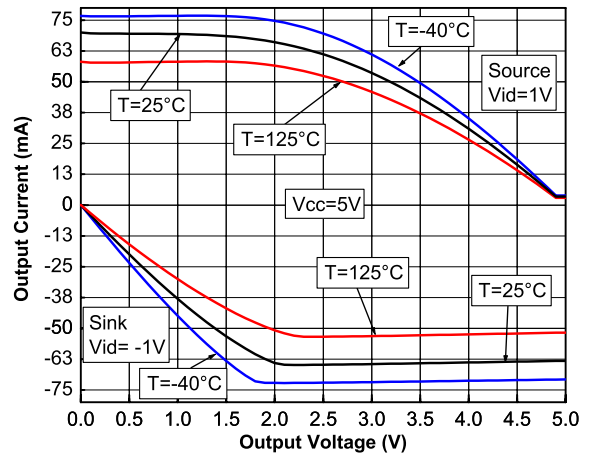


Figure 6. Input offset voltage vs. input common mode at $V_{CC} = 5 V$

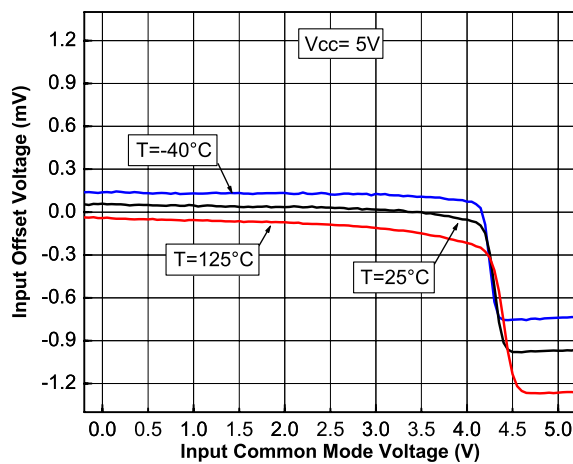


Figure 7. Positive slew rate at $V_{CC} = 5 V$

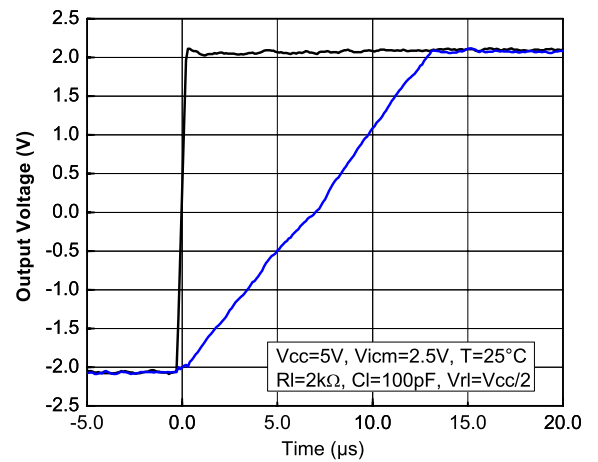


Figure 8. Negative slew rate at $V_{CC} = 5\text{ V}$

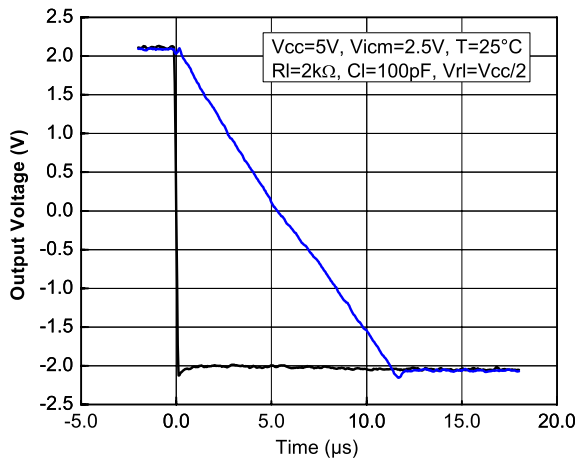


Figure 9. Bode diagram at $V_{CC} = 5\text{ V}$

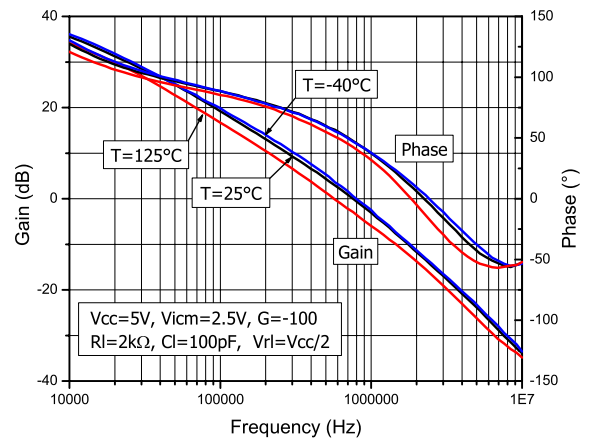


Figure 10. Noise vs. frequency

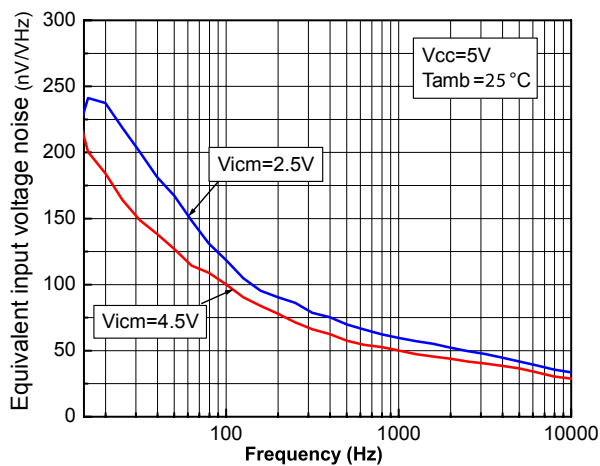
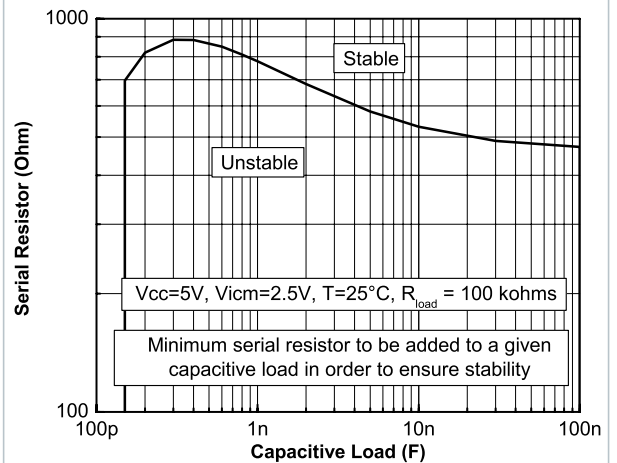


Figure 11. R_{ISO} to drive capacitors above 100 pF in follower configuration



5 Package information

In order to meet environmental requirements, ST offers these devices in different grades of **ECOPACK** packages, depending on their level of environmental compliance. ECOPACK specifications, grade definitions and product status are available at: www.st.com. ECOPACK is an ST trademark.

5.1 SC70-5 (or SOT323-5) package information

Figure 12. SC70-5 (or SOT323-5) package outline

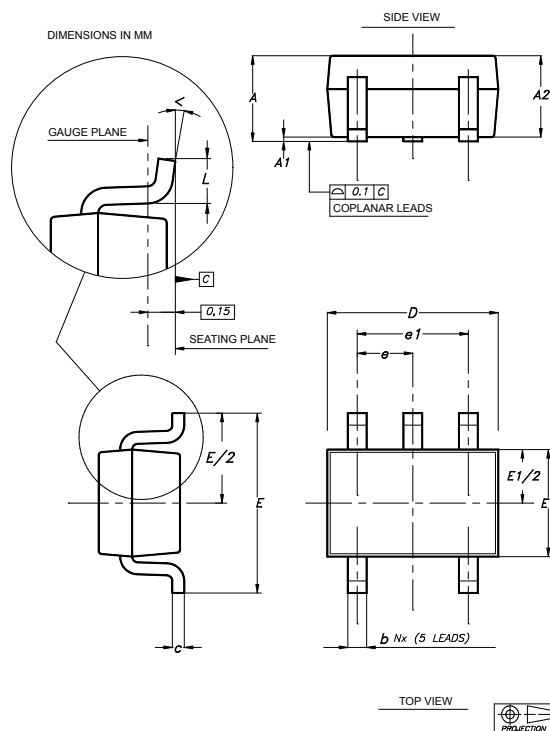


Table 7. SC70-5 (or SOT323-5) package mechanical data

Ref.	Dimensions					
	Millimeters			Inches		
	Min.	Typ.	Max.	Min.	Typ.	Max.
A	0.80		1.10	0.032		0.043
A1			0.10			0.004
A2	0.80	0.90	1.00	0.032	0.035	0.039
b	0.15		0.30	0.006		0.012
c	0.10		0.22	0.004		0.009
D	1.80	2.00	2.20	0.071	0.079	0.087
E	1.80	2.10	2.40	0.071	0.083	0.094
E1	1.15	1.25	1.35	0.045	0.049	0.053
e		0.65			0.025	
e1		1.30			0.051	
L	0.26	0.36	0.46	0.010	0.014	0.018
<	0°		8°	0°		8°

5.2 SOT23-5 package information

Figure 13. SOT23-5 package outline

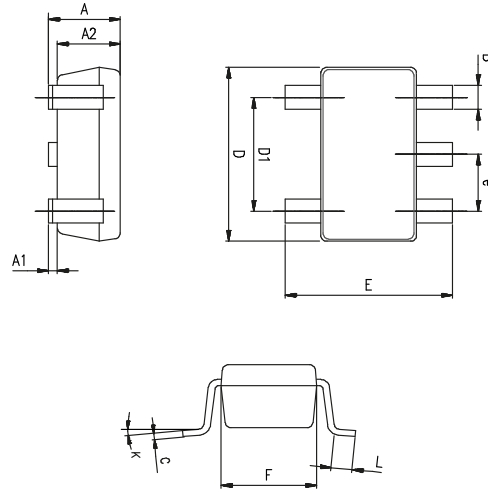


Table 8. SOT23-5 package mechanical data

Ref.	Dimensions					
	Millimeters			Inches		
	Min.	Typ.	Max.	Min.	Typ.	Max.
A	0.90	1.20	1.45	0.035	0.047	0.057
A1			0.15			0.006
A2	0.90	1.05	1.30	0.035	0.041	0.051
B	0.35	0.40	0.50	0.014	0.016	0.020
C	0.09	0.15	0.20	0.004	0.006	0.020
D	2.80	2.90	3.00	0.110	0.114	0.118
D1		1.90			0.075	
e		0.95			0.037	
E	2.60	2.80	3.00	0.102	0.110	0.118
F	1.50	1.60	1.75	0.059	0.063	0.069
L	0.10	0.35	0.60	0.004	0.014	0.024
K	0°		10°	0°		10°

5.3 MiniSO8 package information

Figure 14. MiniSO8 package outline

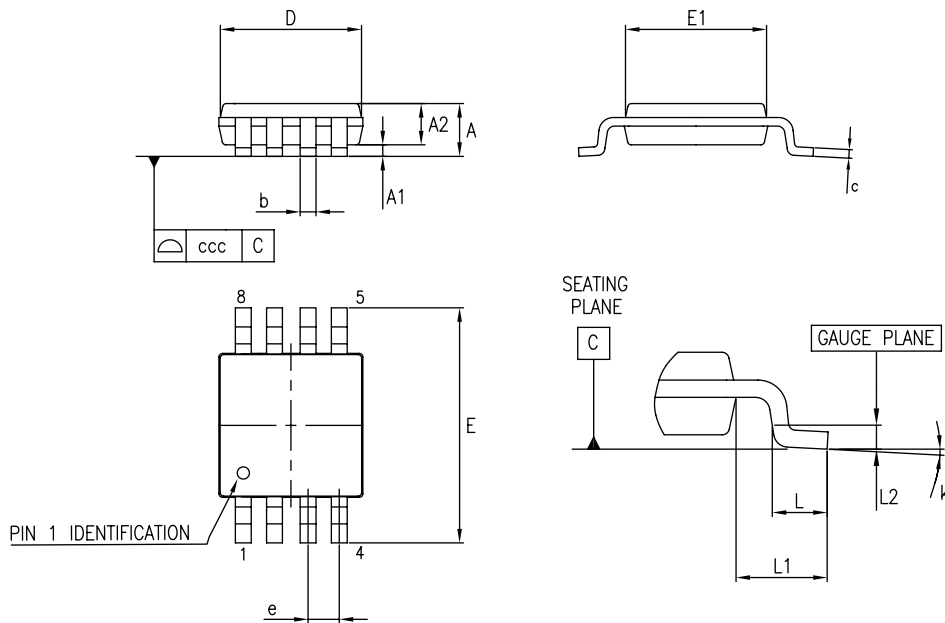


Table 9. MiniSO8 mechanical data

Dim.	Millimeters			Inches		
	Min.	Typ.	Max.	Min.	Typ.	Max.
A			1.1			0.043
A1	0		0.15	0		0.006
A2	0.75	0.85	0.95	0.03	0.033	0.037
b	0.22		0.4	0.009		0.016
c	0.08		0.23	0.003		0.009
D	2.8	3	3.2	0.11	0.118	0.126
E	4.65	4.9	5.15	0.183	0.193	0.203
E1	2.8	3	3.1	0.11	0.118	0.122
e		0.65			0.026	
L	0.4	0.6	0.8	0.016	0.024	0.031
L1		0.95			0.037	
L2		0.25			0.01	
k	0°		8°	0°		8°
ccc			0.1			0.004

5.4 SO8 package information

Figure 15. SO8 package outline

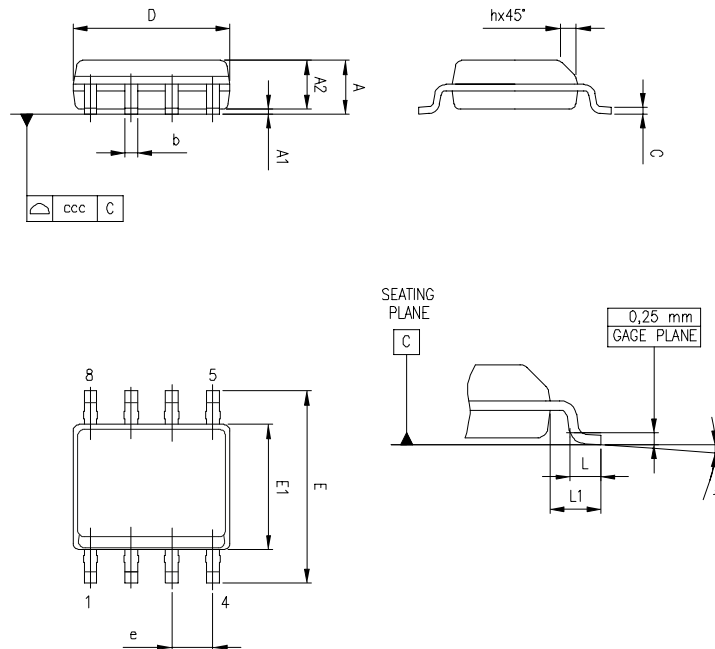


Table 10. SO-8 mechanical data

Dim.	Millimeters			Inches		
	Min.	Typ.	Max.	Min.	Typ.	Max.
A			1.75			0.069
A1	0.1		0.25	0.004		0.01
A2	1.25			0.049		
b	0.28		0.48	0.011		0.019
c	0.17		0.23	0.007		0.01
D	4.8	4.9	5	0.189	0.193	0.197
E	5.8	6	6.2	0.228	0.236	0.244
E1	3.8	3.9	4	0.15	0.154	0.157
e		1.27			0.05	
h	0.25		0.5	0.01		0.02
L	0.4		1.27	0.016		0.05
L1		1.04			0.04	
k	0		8 °	1 °		8 °
ccc			0.1			0.004

5.5 TSSOP-14 package information

Figure 16. TSSOP-14 package outline

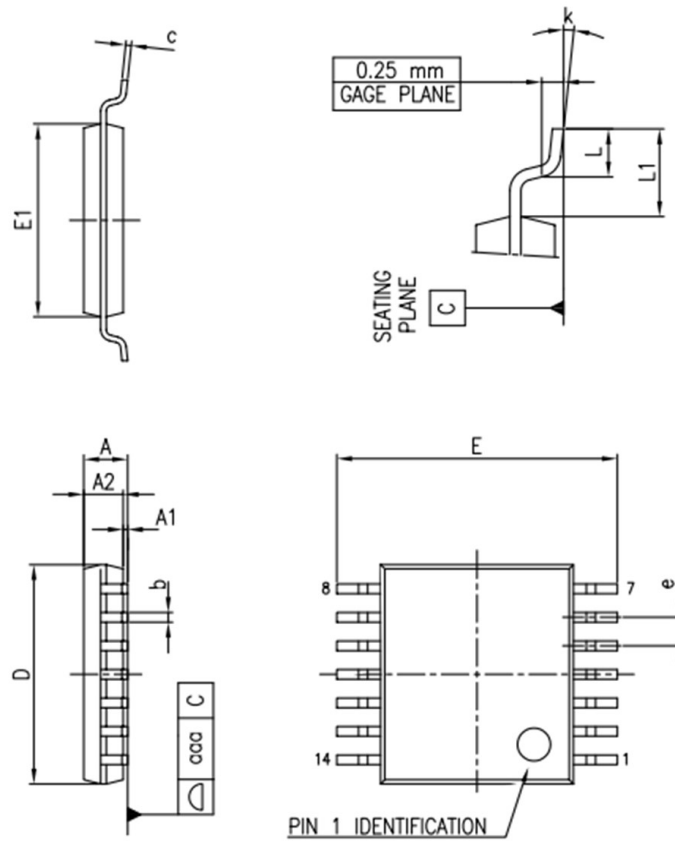


Table 11. TSSOP-14 mechanical data

Dim.	mm		
	Min.	Typ.	Max.
A			1.20
A1	0.05		0.15
A2	0.80	1.00	1.05
b	0.19		0.30
c	0.09		0.20
D	4.90	5.00	5.10
E	6.20	6.40	6.60
E1	4.30	4.40	4.50
e	0.65 BSC		
L	0.45	0.60	0.75
L1		1.00	
k	0		8
aaa			0.10

6 Ordering information

Table 12. Order code

Order code	Temperature range	Package	Marking
TSL6001ICT	-40 °C to 125 °C	SC70-5	KC
TSL6001ILT		SOT23-5	KC
TSL6002IST		MiniSO8	KH
TSL6002IDT		SO8	6002I
TSL6004IPT		TSSOP-14	6004I

Revision history

Table 13. Document revision history

Date	Version	Changes
13-Oct-2021	1	Initial release.

Contents

1	Pin description	2
1.1	TSL6001 single operational amplifier	2
1.2	TSL6002 dual operational amplifier	3
1.3	Quad operational amplifier	4
2	Absolute maximum ratings	5
3	Electrical characteristics	6
4	Typical performance characteristics	7
5	Package information	9
5.1	SC70-5 package information	9
5.2	SOT23-5 package information	11
5.3	MiniSO8 package information	12
5.4	SO8 package information	13
5.5	TSSOP-14 package information	14
6	Ordering information	15
	Revision history	16

List of tables

Table 1.	SC70-5 and SOT23-5 pin description	2
Table 2.	MiniSO8 and SO8 pin description	3
Table 3.	TSSOP-14 pin description	4
Table 4.	Absolute maximum ratings	5
Table 5.	Operating conditions	5
Table 6.	Electrical characteristics at $V_{CC} = 1.8\text{ V to }5.5\text{ V}$, $V_{ICM} = V_{OUT} = V_{CC} / 2$, $T = 25\text{ }^{\circ}\text{C}$ and OUT connected to $V_{CC} / 2$ through $R_L = 10\text{ k}\Omega$ (unless otherwise specified)	6
Table 7.	SC70-5 (or SOT323-5) package mechanical data	10
Table 8.	SOT23-5 package mechanical data	11
Table 9.	MiniSO8 mechanical data	12
Table 10.	SO-8 mechanical data	13
Table 11.	TSSOP-14 mechanical data	14
Table 12.	Order code	15
Table 13.	Document revision history	16

List of figures

Figure 1.	SC70-5 and SOT23-5 pin connections (top view)	2
Figure 2.	MiniSO8 and SO8 pin connection (top view).	3
Figure 3.	TSSOP-14 pin connections (top view)	4
Figure 4.	Supply current vs. supply voltage at $V_{ICM} = V_{CC}/2$	7
Figure 5.	Output current vs. output voltage at $V_{CC} = 5\text{ V}$	7
Figure 6.	Input offset voltage vs. input common mode at $V_{CC} = 5\text{ V}$	7
Figure 7.	Positive slew rate at $V_{CC} = 5\text{ V}$	7
Figure 8.	Negative slew rate at $V_{CC} = 5\text{ V}$	8
Figure 9.	Bode diagram at $V_{CC} = 5\text{ V}$	8
Figure 10.	Noise vs. frequency.	8
Figure 11.	R_{ISO} to drive capacitors above 100 pF in follower configuration	8
Figure 12.	SC70-5 (or SOT323-5) package outline	9
Figure 13.	SOT23-5 package outline	11
Figure 14.	MiniSO8 package outline	12
Figure 15.	SO8 package outline	13
Figure 16.	TSSOP-14 package outline	14

IMPORTANT NOTICE – PLEASE READ CAREFULLY

STMicroelectronics NV and its subsidiaries (“ST”) reserve the right to make changes, corrections, enhancements, modifications, and improvements to ST products and/or to this document at any time without notice. Purchasers should obtain the latest relevant information on ST products before placing orders. ST products are sold pursuant to ST’s terms and conditions of sale in place at the time of order acknowledgement.

Purchasers are solely responsible for the choice, selection, and use of ST products and ST assumes no liability for application assistance or the design of Purchasers’ products.

No license, express or implied, to any intellectual property right is granted by ST herein.

Resale of ST products with provisions different from the information set forth herein shall void any warranty granted by ST for such product.

ST and the ST logo are trademarks of ST. For additional information about ST trademarks, please refer to www.st.com/trademarks. All other product or service names are the property of their respective owners.

Information in this document supersedes and replaces information previously supplied in any prior versions of this document.

© 2021 STMicroelectronics – All rights reserved